



8014, 8016, 8018

Section 1 - General Information

Section 2 - Care and Safety

Section 3 - Maintenance

Section A - Attachments

Section B - Body and Framework

Section C - Electrics

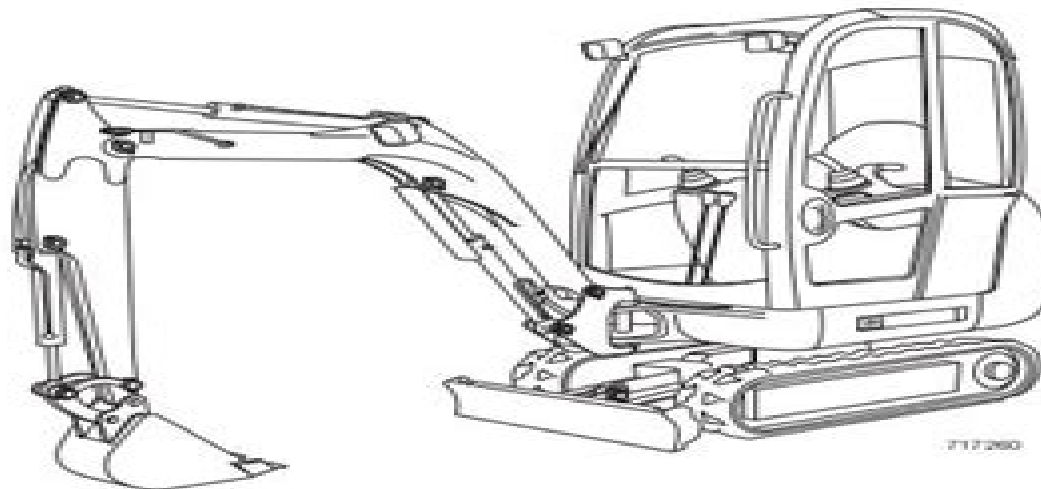
Section D - Controls

Section E - Hydraulics

Section F - Gearboxes

Section J - Track and Running Gear

Section K - Engine



Publication No.
9803/9350-3

World Class
Customer Support



Copyright © 2004 JCB LIMITED. All rights reserved. No part of this publication may be reproduced, stored in a retrieval system, or transmitted, in any form or by any means, electronic, mechanical, photocopying, recording, or otherwise, without prior permission from JCB LIMITED.

Issued by JCB Technical Publications, JCB Aftermarket Training, Stroud, Gloucestershire, UK. Tel: +44 (0)1292 300700 Fax: +44 (0)1292 300400

Jcb 8014 Guide

Raffaela Di Napoli



Jcb 8014 Guide:

Jcb 8014 Guide Book Review: Unveiling the Power of Words

In some sort of driven by information and connectivity, the energy of words has be more evident than ever. They have the ability to inspire, provoke, and ignite change. Such could be the essence of the book **Jcb 8014 Guide**, a literary masterpiece that delves deep into the significance of words and their effect on our lives. Compiled by a renowned author, this captivating work takes readers on a transformative journey, unraveling the secrets and potential behind every word. In this review, we will explore the book is key themes, examine its writing style, and analyze its overall effect on readers.

https://staging.conocer.cide.edu/About/uploaded-files/HomePages/htc_manual_desire_x.pdf

Table of Contents Jcb 8014 Guide

1. Understanding the eBook Jcb 8014 Guide
 - The Rise of Digital Reading Jcb 8014 Guide
 - Advantages of eBooks Over Traditional Books
2. Identifying Jcb 8014 Guide
 - Exploring Different Genres
 - Considering Fiction vs. Non-Fiction
 - Determining Your Reading Goals
3. Choosing the Right eBook Platform
 - Popular eBook Platforms
 - Features to Look for in an Jcb 8014 Guide
 - User-Friendly Interface
4. Exploring eBook Recommendations from Jcb 8014 Guide
 - Personalized Recommendations
 - Jcb 8014 Guide User Reviews and Ratings
 - Jcb 8014 Guide and Bestseller Lists
5. Accessing Jcb 8014 Guide Free and Paid eBooks

- Jcb 8014 Guide Public Domain eBooks
- Jcb 8014 Guide eBook Subscription Services
- Jcb 8014 Guide Budget-Friendly Options
- 6. Navigating Jcb 8014 Guide eBook Formats
 - ePub, PDF, MOBI, and More
 - Jcb 8014 Guide Compatibility with Devices
 - Jcb 8014 Guide Enhanced eBook Features
- 7. Enhancing Your Reading Experience
 - Adjustable Fonts and Text Sizes of Jcb 8014 Guide
 - Highlighting and Note-Taking Jcb 8014 Guide
 - Interactive Elements Jcb 8014 Guide
- 8. Staying Engaged with Jcb 8014 Guide
 - Joining Online Reading Communities
 - Participating in Virtual Book Clubs
 - Following Authors and Publishers Jcb 8014 Guide
- 9. Balancing eBooks and Physical Books Jcb 8014 Guide
 - Benefits of a Digital Library
 - Creating a Diverse Reading Collection Jcb 8014 Guide
- 10. Overcoming Reading Challenges
 - Dealing with Digital Eye Strain
 - Minimizing Distractions
 - Managing Screen Time
- 11. Cultivating a Reading Routine Jcb 8014 Guide
 - Setting Reading Goals Jcb 8014 Guide
 - Carving Out Dedicated Reading Time
- 12. Sourcing Reliable Information of Jcb 8014 Guide
 - Fact-Checking eBook Content of Jcb 8014 Guide
 - Distinguishing Credible Sources
- 13. Promoting Lifelong Learning
 - Utilizing eBooks for Skill Development

-
- Exploring Educational eBooks

14. Embracing eBook Trends

- Integration of Multimedia Elements
- Interactive and Gamified eBooks

Jcb 8014 Guide Introduction

In today's digital age, the availability of Jcb 8014 Guide books and manuals for download has revolutionized the way we access information. Gone are the days of physically flipping through pages and carrying heavy textbooks or manuals. With just a few clicks, we can now access a wealth of knowledge from the comfort of our own homes or on the go. This article will explore the advantages of Jcb 8014 Guide books and manuals for download, along with some popular platforms that offer these resources. One of the significant advantages of Jcb 8014 Guide books and manuals for download is the cost-saving aspect. Traditional books and manuals can be costly, especially if you need to purchase several of them for educational or professional purposes. By accessing Jcb 8014 Guide versions, you eliminate the need to spend money on physical copies. This not only saves you money but also reduces the environmental impact associated with book production and transportation. Furthermore, Jcb 8014 Guide books and manuals for download are incredibly convenient. With just a computer or smartphone and an internet connection, you can access a vast library of resources on any subject imaginable. Whether you're a student looking for textbooks, a professional seeking industry-specific manuals, or someone interested in self-improvement, these digital resources provide an efficient and accessible means of acquiring knowledge. Moreover, PDF books and manuals offer a range of benefits compared to other digital formats. PDF files are designed to retain their formatting regardless of the device used to open them. This ensures that the content appears exactly as intended by the author, with no loss of formatting or missing graphics. Additionally, PDF files can be easily annotated, bookmarked, and searched for specific terms, making them highly practical for studying or referencing. When it comes to accessing Jcb 8014 Guide books and manuals, several platforms offer an extensive collection of resources. One such platform is Project Gutenberg, a nonprofit organization that provides over 60,000 free eBooks. These books are primarily in the public domain, meaning they can be freely distributed and downloaded. Project Gutenberg offers a wide range of classic literature, making it an excellent resource for literature enthusiasts. Another popular platform for Jcb 8014 Guide books and manuals is Open Library. Open Library is an initiative of the Internet Archive, a non-profit organization dedicated to digitizing cultural artifacts and making them accessible to the public. Open Library hosts millions of books, including both public domain works and contemporary titles. It also allows users to borrow digital copies of certain books for a limited period, similar to a library lending system. Additionally, many universities and educational institutions have their own digital libraries that provide free access to PDF books and manuals.

These libraries often offer academic texts, research papers, and technical manuals, making them invaluable resources for students and researchers. Some notable examples include MIT OpenCourseWare, which offers free access to course materials from the Massachusetts Institute of Technology, and the Digital Public Library of America, which provides a vast collection of digitized books and historical documents. In conclusion, Jcb 8014 Guide books and manuals for download have transformed the way we access information. They provide a cost-effective and convenient means of acquiring knowledge, offering the ability to access a vast library of resources at our fingertips. With platforms like Project Gutenberg, Open Library, and various digital libraries offered by educational institutions, we have access to an ever-expanding collection of books and manuals. Whether for educational, professional, or personal purposes, these digital resources serve as valuable tools for continuous learning and self-improvement. So why not take advantage of the vast world of Jcb 8014 Guide books and manuals for download and embark on your journey of knowledge?

FAQs About Jcb 8014 Guide Books

1. Where can I buy Jcb 8014 Guide books? Bookstores: Physical bookstores like Barnes & Noble, Waterstones, and independent local stores. Online Retailers: Amazon, Book Depository, and various online bookstores offer a wide range of books in physical and digital formats.
2. What are the different book formats available? Hardcover: Sturdy and durable, usually more expensive. Paperback: Cheaper, lighter, and more portable than hardcovers. E-books: Digital books available for e-readers like Kindle or software like Apple Books, Kindle, and Google Play Books.
3. How do I choose a Jcb 8014 Guide book to read? Genres: Consider the genre you enjoy (fiction, non-fiction, mystery, sci-fi, etc.). Recommendations: Ask friends, join book clubs, or explore online reviews and recommendations. Author: If you like a particular author, you might enjoy more of their work.
4. How do I take care of Jcb 8014 Guide books? Storage: Keep them away from direct sunlight and in a dry environment. Handling: Avoid folding pages, use bookmarks, and handle them with clean hands. Cleaning: Gently dust the covers and pages occasionally.
5. Can I borrow books without buying them? Public Libraries: Local libraries offer a wide range of books for borrowing. Book Swaps: Community book exchanges or online platforms where people exchange books.
6. How can I track my reading progress or manage my book collection? Book Tracking Apps: Goodreads, LibraryThing, and Book Catalogue are popular apps for tracking your reading progress and managing book collections. Spreadsheets:

You can create your own spreadsheet to track books read, ratings, and other details.

7. What are Jcb 8014 Guide audiobooks, and where can I find them? Audiobooks: Audio recordings of books, perfect for listening while commuting or multitasking. Platforms: Audible, LibriVox, and Google Play Books offer a wide selection of audiobooks.
8. How do I support authors or the book industry? Buy Books: Purchase books from authors or independent bookstores. Reviews: Leave reviews on platforms like Goodreads or Amazon. Promotion: Share your favorite books on social media or recommend them to friends.
9. Are there book clubs or reading communities I can join? Local Clubs: Check for local book clubs in libraries or community centers. Online Communities: Platforms like Goodreads have virtual book clubs and discussion groups.
10. Can I read Jcb 8014 Guide books for free? Public Domain Books: Many classic books are available for free as they're in the public domain. Free E-books: Some websites offer free e-books legally, like Project Gutenberg or Open Library.

Find Jcb 8014 Guide :

[htc manual desire x](#)

[huawei ets1201 maintenance user guide](#)

[htc touch pro 2 user guide](#)

[htc 7 trophy user manual english](#)

[htc touch hd manual](#)

[huacow doubling her milk the captive series huacow series english edition](#)

human anatomy physiology 9th edition

[htc hard reset tattoo](#)

[htc hard reset touch pro 2](#)

[htc hermes service manual](#)

[htc com manual](#)

[hsc suggestion 2015 iet](#)

[htc incredible s s710e user guide](#)

[human anatomy physiology laboratory manual main version](#)

[hsc syllabus first paper 2015-16](#)

Jcb 8014 Guide :

fillable a4 bird hatch and ownership certificate template - Apr 17 2023

web the beautificator special forms and templates

hatch certificate template pdf cyberlab sutd edu sg - Jan 14 2023

web hatch certificate template mission critical active directory feb 22 2020 learn from compaq s own active directory experts techniques and best practices for creating a secure and scalable network foundation for windows 2000 and exchange 2000

mission critical active directory provides systems designers and administrators within

printing pdf certificates for webinars hatch hub hatch - Oct 23 2023

web select the certificate s you would like to print for bragging rights training hours etc when you join a hatch hosted

webinar by way of the hatch hub you can print certificates for webinars you have attended details about

fillable a4 bird hatch and ownership certificate template - May 06 2022

web this beautificator certificates application and templates

parrot hatch certificate template fill and sign printable template - Mar 04 2022

web complete parrot hatchling certificate template online by us legal types easily fill out pdf blank edit and sign them backup or promptly schicken your ready documents

free printable certificate templates you can customize canva - Aug 21 2023

web printable certificates by canva if you need to make a certificate ditch the typical certificate design and get creative instead of going for a plain layout make a colorful and modern certificate design in minutes with canva you don t need to start from scratch with our certificate templates

how can i get my webinar certificate hatch support - Sep 22 2023

web 10 months ago updated do you need a certificate after completing a hatch webinar if you are inquiring about obtaining a webinar certificate please use the following link fs30 formsite com hatchearlylearning sc98xcj9kg index.html

free simple certificate templates to edit and print canva - Feb 15 2023

web browse our templates for a certificate with a simple design without frills and excesses the gallery has modern styles that give attention to the name and the recognition you would like to give use an academic style template for a seminar or short course

fillable a4 bird hatch and ownership certificate templates - Nov 12 2022

web the beautificator certificates forms and templates

hatch certificate fillable printable blank pdf form for free - Jun 19 2023

web is it the case that you are looking for hatch certificate to fill cocodoc is the best website for you to go offering you a user

friendly and easy to edit version of hatch certificate as you desire its various collection of forms can save

get the free hatch certificates for birds form pdffiller - Aug 09 2022

web obtain a hatch certificate form many aviculture organizations or bird clubs provide hatch certificate templates that can be downloaded or obtained in hard copy alternatively you can create your own form using a word processing software or spreadsheet program

hatch certificate form fill out and sign printable pdf template - Apr 05 2022

web hatch certificates for avian control out how easy it is to complete and esign documents online using fillable templates plus a powerful editor get everything finish in minutes

bird birth certificate in word and pdf formats hatch certificates - Jun 07 2022

web download or preview 1 pages of pdf version of bird birth certificate doc 16 7 kb pdf 84 1 kb for free

bird hatch certificate template cocodoc - Jul 08 2022

web to download full version bird hatch certificate template pdf copy this link into your browser pdfspath net get 3 bird hatch certificate template pdf hatch certificate parrotlets scotland keeping and parrotlets online co uk resources hatch pdf

fillable a4 bird hatch and ownership certificate template - Dec 13 2022

web fillable a4 bird hatch and ownership certificate template with 6 x 4 photo space neutral hatch certificates for birds fill online printable fillable blank pdffiller gift all shop all 3 for 2 template offer for animal breeders and enthusiasts chicks

download hardcopy cats and miniature download hardcopy dogs and puppies download hardcopy

get parrot hatch certificate template us legal forms - Sep 10 2022

web complete parrot hatch certificate template online with us legal forms easily fill out pdf blank edit and sign them save or instantly send your ready documents

hatch certificate form fill out and sign printable pdf template - Jul 20 2023

web get parrot hatch certificate template esigned straight from your mobile device using these 6 steps enter signnow com in the phone s internet browser and log in to your account if you don t have an account yet register

get the free hatch certificate template pdfsdocuments com - Mar 16 2023

web 01 open the hatch certificate template on your computer 02 identify the fields that need to be filled out in the template 03 collect all the necessary information that will be filled into the certificate 04 start filling out the template by entering the required information into each relevant field 05

fillable a4 bird hatch and ownership certificate template - Oct 11 2022

web the beautificator our forms and templates

hold hatch inspections sgs singapore - May 18 2023

web nov 4 2021 hatch inspections improper ship s hatch cover seals and securing arrangements account for a high percentage of cargo defects and rejections sgs hatch inspections provide evidence that the condition of the hatch covers does not pose a threat to the cargo our inspectors

[kawasaki kx125 manuals enduro team](#) - Jan 09 2023

web service manual service manual kawasaki kx125 1992 1993 kx125 j service manual kawasaki kx125 1994 1998 kx125 k service manual kawasaki kx125 1999 2002 kx125 l service manual kawasaki kx125 2003 2008 kx125 m

user manual kawasaki kx125 2004 english 330 pages - Jan 29 2022

web manual page 1 330 manual view the manual for the kawasaki kx125 2004 here for free this manual comes under the category motorcycles and has been rated by 2 people with an average of a 9 2 this manual is available in the following languages english do you have a question about the kawasaki kx125 2004 or do you need help

[kawasaki kx125 1992 2000 haynes repair manuals guides](#) - Aug 16 2023

web this kawasaki motorcycle manual is 432 pages quick reference data chapter one general information manual organization notes cautions and warnings safety first service hints engine operation washing the bike torque specifications fasteners lubricants rtv gasket sealant threadlock parts replacement optional

[kx series kx125 service repair workshop manuals](#) - Aug 04 2022

web our kx125 kx series kawasaki workshop manuals contain in depth maintenance service and repair information get your emanual now toggle nav home catalogue cars audi kawasaki kx125 kx250 service manual repair 1990 1991 kx 125 250 31 99 kawasaki kx125 kx250 service repair manual 1992 1993 33 99 2003 2005 kawasaki

kawasaki kx125 service manual repair 2003 2007 kx 125 - Oct 06 2022

web quick reference guide general information 1 periodic maintenance 2 fuel system 3 cooling system 4 engine top end 5 engine right side 6 engine removal installation 7 engine bottom end transmission 8 wheels tires 9 final drive 10 brakes 11 suspension 12 steering 13 electrical system 14 appendix 15

kawasaki kx series service repair manual pdf just give me the damn manual - Jun 14 2023

web kawasaki kx 125 250 1999 2002 service repair manual download now kawasaki kx 125 250 2006 service repair manual pdf download download now kawasaki kx 500 cc 1988 2004 workshop service manual download now kawasaki kx 250 kx250f 2004 2007 service repair manual download now kawasaki kx 250 kx250f 2004 2007

[kx125 kx250 94 98 service manual pdf carburetor scribd](#) - May 13 2023

web kx125 kx250 94 98 service manual free ebook download as pdf file pdf text file txt or read book online for free service manual

[clymer repair manual for kawasaki kx125 kx250 kx500 82 04](#) - Dec 28 2021

web jul 31 2007 this high quality manual covers all systems maintenance repairs hundreds of photos showing complete disassembly and reassembly of the bike are included in the manual most manuals also include color wiring diagrams this manual covers the following kawasaki models kx125 1982 1991 kx250 1982 1991 kx500

owner s manuals service manuals kawasaki owners center - Jul 15 2023

web get quick and easy access to information specific to your kawasaki vehicle download official owner s manuals and order service manuals for kawasaki vehicles

kawasaki kx125 03 05 service repair manual kx 125 mt039389 - Mar 31 2022

web this is a manual for 03 05 kawasaki kx125 and covers everything that you need for maintaining your bike to rebuilding and fixing all pictures are cristal clear and fonts are easy to read all factory specs and numbers are in this book including proper lubricants and oils to break fluid and gas

kawasaki kx125 kx250 service manual repair 1999 2002 kx 125 - Feb 27 2022

web this kawasaki kx125 kx250 service manual repair 1999 2002 kx 125 250 mt043112 is an essential tool for servicing and repairing your 1999 2002 kawasaki kx 125 and kx 250 two stroke motorcycles it contains detailed illustrations step by step instructions and troubleshooting information for all components of your bike

kawasaki kx125 kx250 service manual repair 1999 2002 kx 125 - Jul 03 2022

web instant of the factory repair manual for the 1999 2002 kawasaki kx 125 and kawasaki kx 250 two stroke bikes covers complete tear down and rebuild pictures and part diagrams torque specs maintenance troubleshooting etc

1994 1998 kawasaki kx125 service manual retro motorcycle manuals - May 01 2022

web 1994 to 1998 kawasaki kx 125 service repair workshop manual provided in pdf form in english language includes wiring diagram total of 304 pages sample page is shown in the second product picture features following chapters 1 general information 2 fuel system 3 cooling system 4 engine top end 5 engine right side 6

2004 kawasaki kx125 m2 service repair manual issuu - Dec 08 2022

web oct 8 2019 special tools gauges and testers that are necessary when servicing kawasaki motorcycles are introduced by the service manual genuine parts provided as spare parts are listed in the parts

1992 1993 kawasaki kx125 kx250 motorcycle workshop repair service manual - Sep 05 2022

web this manual can be viewed on any computer as well as zoomed and printed all repair procedures are covered a z this manual for 1992 1993 kawasaki kx125 kx250 motorcycle makes any repair job easy to do with very easy to follow step by step instructions pictures on all areas of repair

file kawasaki kx125 kx250 l 1999 2002 service manual pdf - Feb 10 2023

web dec 3 2019 manuals instruction manuals user manuals service manuals user guides pdf manuals owners manuals

installation guides software used pdftk 1 44 pdftk com conversion program itext paulo 155 itextpdf sf net lowagie com
encrypted no page size 612 x 792 pts letter version of pdf format 1 6

[kawasaki kx 125 repair manual pdf issuu](#) - Nov 07 2022

web jul 11 2017 get kawasaki kx 125 repair manual pdf pdf file for free from our online library kawasaki kx 125 repair manual pdf the subject of this ebook is focused on kawasaki kx 125 repair manual pdf

kawasaki kx125 03 05 service repair manual kx 125 - Jun 02 2022

web this is a manual for 03 05 kawasaki kx125 and covers everything that you need for maintaining your bike to rebuilding and fixing all pictures are cristal clear and fonts are easy to read all factory specs and numbers are in this book including proper lubricants and oils to break fluid and gas

[kawasaki kx125 haynes repair manuals guides](#) - Apr 12 2023

web this kawasaki motorcycle manual is 432 pages quick reference data chapter one general information manual organization notes cautions and warnings safety first service hints engine operation washing the bike torque specifications fasteners lubricants rtv gasket sealant threadlock parts replacement optional

kawasaki kx 60 80 85 100 125 250 workshop manuals service and repair - Mar 11 2023

web aug 9 2023 kawasaki kx 60 80 85 100 125 250 workshop manuals service and repair a service manual for your kawasaki kx 60 kx 80 kx 85 kx 100 kx 125 or kx 250 discover here clymer and other workshop manuals for maintenance and repair of kawasaki motorcycles detailed instructions for fault finding and parts replacement

solfa ge des solfa ges volume 1c fa sans accompag book - Mar 08 2023

web solfa ge des solfa ges volume 1c fa sans accompag n a j wahre grundregeln des gregorianischen oder choralgesanges ein archäologisch liturgisches lehrbuch des gregorianischen kirchengesanges übersetzt und bearbeitet von j c b smeddinck

solfa ge des solfa ges volume 1c fa sans accompag - May 10 2023

web solfa ge des solfa ges volume 1c fa sans accompag the child life quarterly jul 06 2022 the catalogue of printed music in the british library to 1980 jun 24 2021 dramatic bibliography oct 17 2020 changing status of women in north eastern states form 1 general lodgment form 1 offers of investments - May 30 2022

web the general lodgment form 1 for an offer of securities or securities based derivatives contracts pursuant to division 1 of part xiii of the sfa is accessible on the opera website

solfa ge des solfa ges volume 1c fa sans accompag charles - Nov 04 2022

web solfa ge des solfa ges volume 1c fa sans accompag solfa ge des solfa ges volume 1c fa sans accompag 2 downloaded from donate pfi org on 2022 01 01 by guest about thirty five of the best known pieces written for the instrument numerous contextual and theoretical insights make it an essential resource for professional amateur and student

solfa vs solfege what s the difference wikidiff - Jun 30 2022

web as nouns the difference between solfa and solfege is that solfa is alternative form of lang en while solfège is a method of sight singing that uses the syllables do originally ut re mi fa sol or so la and si or ti to represent the seven principal pitches of the scale most commonly the major scale

solfa ge des solfa ges volume 1c fa sans accompag sergei - Aug 13 2023

web solfa ge des solfa ges volume 1c fa sans accompag is available in our book collection an online access to it is set as public so you can download it instantly our book servers spans in multiple countries allowing you to get the most less latency time to download any of our books like this one

solfa ge des solfa ges volume 1c fa sans accompag full pdf - Oct 03 2022

web solfa ge des solfa ges volume 1c fa sans accompag catalog of copyright entries new series feb 27 2022 includes part 1 books group 1 1946 les livres de l année jun 02 2022 catalogue of copyright entries nov 07 2022 le trésor de l écolier français jan 29 2022 diophantine approximation may 13 2023

solfa ge des solfa ges volume 1c fa sans accompag thomas - Jul 12 2023

web solfa ge des solfa ges volume 1c fa sans accompag solfa ge des solfa ges volume 1c fa sans accompag 4 downloaded from donate pfi org on 2022 11 20 by guest 150 of the best jazz standards ever omnibus press 2006 11 01 presents a selection of 150 jazz standards arranged for piano voice and guitar this work

solfa ge des solfa ges volume 1c fa sans accompag adam de - Dec 05 2022

web solfa ge des solfa ges volume 1c fa sans accompag when people should go to the books stores search opening by shop shelf by shelf it is in point of fact problematic this is why we provide the ebook compilations in this website it will agreed ease you to see guide solfa ge des solfa ges volume 1c fa sans accompag as you such as

sing solfa - Sep 02 2022

web welcome we are so pleased that you want to teach your children to sing using solfa also known as solfège it is a skill they will use for the rest of their lives it will help them learn to sing sing in tune read music and learn the basics of music theory we ve structured the sing solfa resources so that parents and children can work

solfa ge des solfa ges volume 1c fa sans accompag sergei - Feb 24 2022

web solfa ge des solfa ges volume 1c fa sans accompag 1 downloaded from nysm pfi org on 2022 02 15 by guest solfa ge des solfa ges volume 1c fa sans accompag when people should go to the book stores search initiation by shop shelf by shelf it is in point of fact problematic

aginec groupe solefas - Apr 28 2022

web 3 le suivi la realisation de vos constructions a travers la réalisation d un ensemble de dessins du croquis à main levée

jusqu'à la réalisation des plans techniques détaillés par ordinateur les architectes de solefas sarl transforment les besoins et les souhaits du maître d'ouvrage grâce à leurs expertise techniques et à leurs sensibilité esthétiques

solfa ge des solfa ges volume 1c fa sans accompag karl - Sep 14 2023

web solfa ge des solfa ges volume 1c fa sans accompag 1 downloaded from donate pfi org on 2020 09 10 by guest solfa ge des solfa ges volume 1c fa sans accompag this is likewise one of the factors by obtaining the soft documents of this solfa ge des solfa ges volume 1c fa sans accompag by online

solfa ge des solfa ges volume 1c fa sans accompag adam de - Aug 01 2022

web it is your entirely own mature to comport yourself reviewing habit in the middle of guides you could enjoy now is solfa ge des solfa ges volume 1c fa sans accompag below learn for our planet unesco 2021 05 13 text book of gregorian chant

according to the solesmes method gregorio ma gregorio mari a suñol 2021 09 10

solfa ge des solfa ges volume 1c fa sans accompag full pdf - Jan 06 2023

web solfa ge des solfa ges volume 1c fa sans accompag collected works of herve jacquet sep 19 2022 herve jacquet is one of the founders of the modern theory of automorphic representations and their associated l functions this volume represents a selection of his most influential papers not already available in book form

ebook solfa ge des solfa ges volume 1c fa sans accompag - Feb 07 2023

web solfa ge des solfa ges volume 1c fa sans accompag magister choralis sep 28 2022 geschichte der musik apr 04 2023

nuevo diccionario de las lenguas castellana y alemana el mas completo que se ha publicado hasta el dia aleman y castellano may 25 2022 josquin des prez sep 16 2021

solfa ge des solfa ges volume 1c fa sans accompag - Apr 09 2023

web basic tonic solfa concepts feb 18 2023 basic tonic solfa concepts is an illustrative guide that tries to simplify and smoothen the learning path for tonic solfa notation users it brings under one package the easiest methods and techniques of yielding the best choral performance through proper notes or music reading interpretation and

solfa ge des solfa ges volume 1c fa sans accompag book - Oct 15 2023

web solfa ge des solfa ges volume 1c fa sans accompag solfa ge des solfa ges volume 1c fa sans accompag 2 downloaded from ead3 archivists org on 2020 12 13 by guest the flute and its music organized into four main parts the instrument performance the music and repertoire catalog the book begins with a description of the instrument and

solfa ge des solfa ges volume 1c fa sans accompag sergei - Jun 11 2023

web solfa ge des solfa ges volume 1c fa sans accompag as one of the most full of zip sellers here will agreed be in the course of the best options to review trust no aunty maria qamar 2017 08

introduction urban redevelopment authority - Mar 28 2022

web 1 the area of a site plot measured between the survey boundary lines if there are areas of the land required to be set aside for drainage reserve or street road reserve to be vested to the state these areas may be included in the site area for gpr calculation once these areas are vested to the state they cannot be used for gpr