

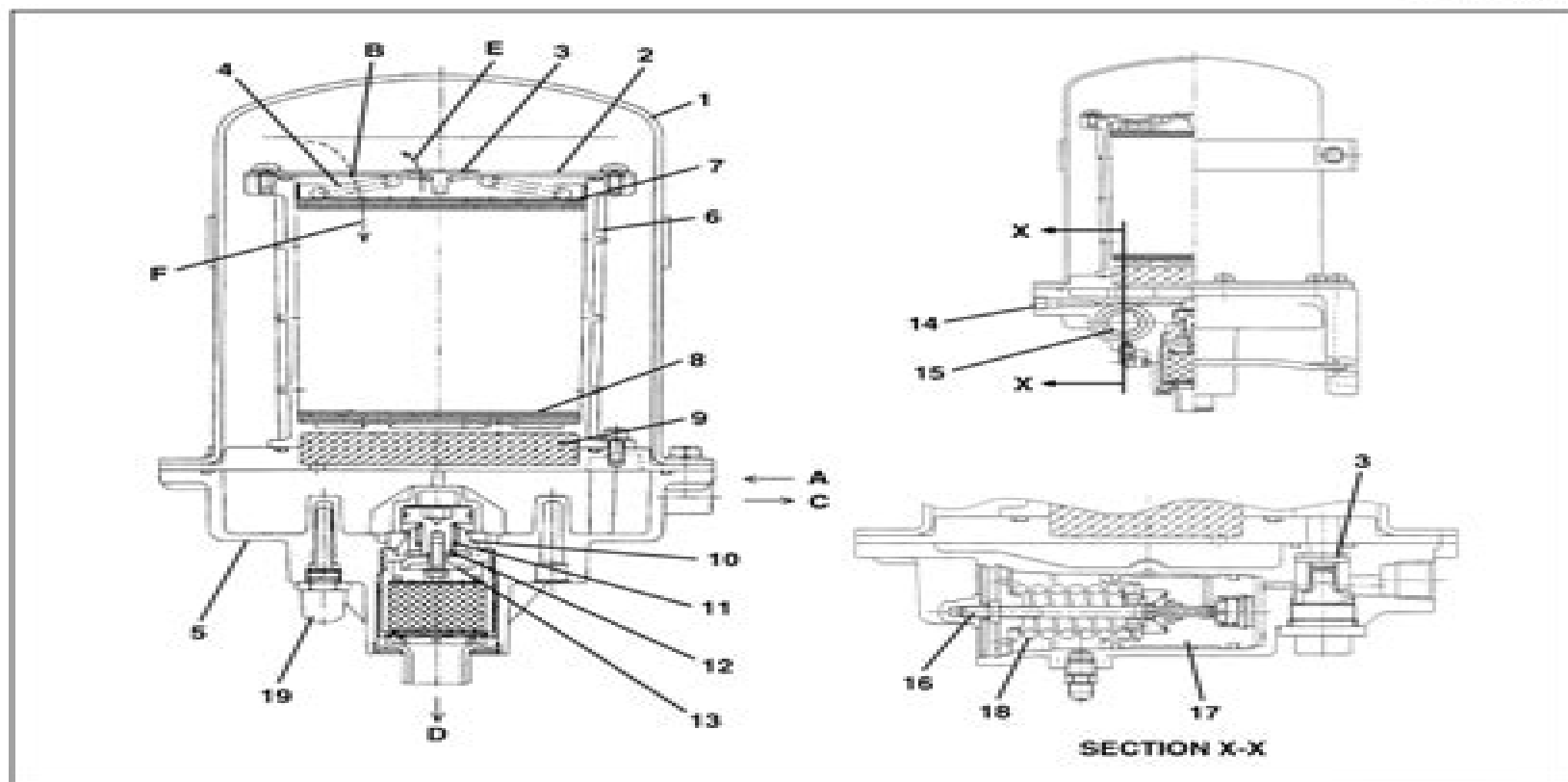
# DATA AND SPECIFICATIONS

EP0680200C1000001

Type	Purge tank, desiccant, auto-purge valve.
Air and Water discharging time (Reclamation cycle)	Approx. 50 sec.

## DESCRIPTION

EP0680200C1000001



SP750680200C1000001

1 Chamber (Purge tank)	14 Plug
2 Case cover	15 Pressure regulator
3 Check valve	16 Adjusting screw
4 Spring	17 Piston
5 Body	18 Piston spring
6 Desiccant case	19 Heater (if so equipped)
7 Filter	A Inlet (From air compressor)
8 Desiccant	B Orifice
9 Oil separator filter	C Outlet (Dried air to air tank)
10 Valve body	D Purged air
11 Valve spring	E Dehumidification

# Hino Brake Repair Manual

**R Barnett**



## **Hino Brake Repair Manual:**

This is likewise one of the factors by obtaining the soft documents of this **Hino Brake Repair Manual** by online. You might not require more mature to spend to go to the books inauguration as without difficulty as search for them. In some cases, you likewise get not discover the notice Hino Brake Repair Manual that you are looking for. It will very squander the time.

However below, in the manner of you visit this web page, it will be hence agreed easy to acquire as skillfully as download guide Hino Brake Repair Manual

It will not take on many era as we notify before. You can accomplish it even though play a role something else at home and even in your workplace. for that reason easy! So, are you question? Just exercise just what we provide under as well as review **Hino Brake Repair Manual** what you taking into account to read!

[https://staging.conocer.cide.edu/public/uploaded-files/Download\\_PDFS/grade\\_1mathematics\\_paper\\_june\\_exams.pdf](https://staging.conocer.cide.edu/public/uploaded-files/Download_PDFS/grade_1mathematics_paper_june_exams.pdf)

## **Table of Contents Hino Brake Repair Manual**

1. Understanding the eBook Hino Brake Repair Manual
  - The Rise of Digital Reading Hino Brake Repair Manual
  - Advantages of eBooks Over Traditional Books
2. Identifying Hino Brake Repair Manual
  - Exploring Different Genres
  - Considering Fiction vs. Non-Fiction
  - Determining Your Reading Goals
3. Choosing the Right eBook Platform
  - Popular eBook Platforms
  - Features to Look for in an Hino Brake Repair Manual
  - User-Friendly Interface
4. Exploring eBook Recommendations from Hino Brake Repair Manual
  - Personalized Recommendations

- Hino Brake Repair Manual User Reviews and Ratings
- Hino Brake Repair Manual and Bestseller Lists
- 5. Accessing Hino Brake Repair Manual Free and Paid eBooks
  - Hino Brake Repair Manual Public Domain eBooks
  - Hino Brake Repair Manual eBook Subscription Services
  - Hino Brake Repair Manual Budget-Friendly Options
- 6. Navigating Hino Brake Repair Manual eBook Formats
  - ePub, PDF, MOBI, and More
  - Hino Brake Repair Manual Compatibility with Devices
  - Hino Brake Repair Manual Enhanced eBook Features
- 7. Enhancing Your Reading Experience
  - Adjustable Fonts and Text Sizes of Hino Brake Repair Manual
  - Highlighting and Note-Taking Hino Brake Repair Manual
  - Interactive Elements Hino Brake Repair Manual
- 8. Staying Engaged with Hino Brake Repair Manual
  - Joining Online Reading Communities
  - Participating in Virtual Book Clubs
  - Following Authors and Publishers Hino Brake Repair Manual
- 9. Balancing eBooks and Physical Books Hino Brake Repair Manual
  - Benefits of a Digital Library
  - Creating a Diverse Reading Collection Hino Brake Repair Manual
- 10. Overcoming Reading Challenges
  - Dealing with Digital Eye Strain
  - Minimizing Distractions
  - Managing Screen Time
- 11. Cultivating a Reading Routine Hino Brake Repair Manual
  - Setting Reading Goals Hino Brake Repair Manual
  - Carving Out Dedicated Reading Time
- 12. Sourcing Reliable Information of Hino Brake Repair Manual
  - Fact-Checking eBook Content of Hino Brake Repair Manual

- Distinguishing Credible Sources
- 13. Promoting Lifelong Learning
  - Utilizing eBooks for Skill Development
  - Exploring Educational eBooks
- 14. Embracing eBook Trends
  - Integration of Multimedia Elements
  - Interactive and Gamified eBooks

### **Hino Brake Repair Manual Introduction**

Hino Brake Repair Manual Offers over 60,000 free eBooks, including many classics that are in the public domain. Open Library: Provides access to over 1 million free eBooks, including classic literature and contemporary works. Hino Brake Repair Manual Offers a vast collection of books, some of which are available for free as PDF downloads, particularly older books in the public domain. Hino Brake Repair Manual : This website hosts a vast collection of scientific articles, books, and textbooks. While it operates in a legal gray area due to copyright issues, its a popular resource for finding various publications. Internet Archive for Hino Brake Repair Manual : Has an extensive collection of digital content, including books, articles, videos, and more. It has a massive library of free downloadable books. Free-eBooks Hino Brake Repair Manual Offers a diverse range of free eBooks across various genres. Hino Brake Repair Manual Focuses mainly on educational books, textbooks, and business books. It offers free PDF downloads for educational purposes. Hino Brake Repair Manual Provides a large selection of free eBooks in different genres, which are available for download in various formats, including PDF. Finding specific Hino Brake Repair Manual, especially related to Hino Brake Repair Manual, might be challenging as theyre often artistic creations rather than practical blueprints. However, you can explore the following steps to search for or create your own Online Searches: Look for websites, forums, or blogs dedicated to Hino Brake Repair Manual, Sometimes enthusiasts share their designs or concepts in PDF format. Books and Magazines Some Hino Brake Repair Manual books or magazines might include. Look for these in online stores or libraries. Remember that while Hino Brake Repair Manual, sharing copyrighted material without permission is not legal. Always ensure youre either creating your own or obtaining them from legitimate sources that allow sharing and downloading. Library Check if your local library offers eBook lending services. Many libraries have digital catalogs where you can borrow Hino Brake Repair Manual eBooks for free, including popular titles. Online Retailers: Websites like Amazon, Google Books, or Apple Books often sell eBooks. Sometimes, authors or publishers offer promotions or free periods for certain books. Authors Website Occasionally, authors provide excerpts or short stories for free on their websites. While this might not be the Hino Brake Repair Manual full book , it can give you a taste of

the authors writing style. Subscription Services Platforms like Kindle Unlimited or Scribd offer subscription-based access to a wide range of Hino Brake Repair Manual eBooks, including some popular titles.

### **FAQs About Hino Brake Repair Manual Books**

1. Where can I buy Hino Brake Repair Manual books? Bookstores: Physical bookstores like Barnes & Noble, Waterstones, and independent local stores. Online Retailers: Amazon, Book Depository, and various online bookstores offer a wide range of books in physical and digital formats.
2. What are the different book formats available? Hardcover: Sturdy and durable, usually more expensive. Paperback: Cheaper, lighter, and more portable than hardcovers. E-books: Digital books available for e-readers like Kindle or software like Apple Books, Kindle, and Google Play Books.
3. How do I choose a Hino Brake Repair Manual book to read? Genres: Consider the genre you enjoy (fiction, non-fiction, mystery, sci-fi, etc.). Recommendations: Ask friends, join book clubs, or explore online reviews and recommendations. Author: If you like a particular author, you might enjoy more of their work.
4. How do I take care of Hino Brake Repair Manual books? Storage: Keep them away from direct sunlight and in a dry environment. Handling: Avoid folding pages, use bookmarks, and handle them with clean hands. Cleaning: Gently dust the covers and pages occasionally.
5. Can I borrow books without buying them? Public Libraries: Local libraries offer a wide range of books for borrowing. Book Swaps: Community book exchanges or online platforms where people exchange books.
6. How can I track my reading progress or manage my book collection? Book Tracking Apps: Goodreads, LibraryThing, and Book Catalogue are popular apps for tracking your reading progress and managing book collections. Spreadsheets: You can create your own spreadsheet to track books read, ratings, and other details.
7. What are Hino Brake Repair Manual audiobooks, and where can I find them? Audiobooks: Audio recordings of books, perfect for listening while commuting or multitasking. Platforms: Audible, LibriVox, and Google Play Books offer a wide selection of audiobooks.
8. How do I support authors or the book industry? Buy Books: Purchase books from authors or independent bookstores. Reviews: Leave reviews on platforms like Goodreads or Amazon. Promotion: Share your favorite books on social media or recommend them to friends.
9. Are there book clubs or reading communities I can join? Local Clubs: Check for local book clubs in libraries or

community centers. Online Communities: Platforms like Goodreads have virtual book clubs and discussion groups.

10. Can I read Hino Brake Repair Manual books for free? Public Domain Books: Many classic books are available for free as they're in the public domain. Free E-books: Some websites offer free e-books legally, like Project Gutenberg or Open Library.

### **Find Hino Brake Repair Manual :**

[grade 1 mathematics paper june exams](#)

[grade 1 march 2014 maths common paper memo](#)

[grade 1 physical science ieb question papers](#)

[grade 2014 physical science paper2 scope final](#)

[grade 1 june life sciences](#)

[grade 1 sepedi paper lewedi 2014](#)

[grade 1 mathematics paper june 23](#)

[grade 1 life orientation november previous papers](#)

**[grade 1 march exam 2014 physical sciences](#)**

[grade 1 time table final exams 2014 limpopo](#)

[grade 1 term 3 memorandum 2014 science](#)

**[grade 1 memo toerisme pat memo 25](#)**

**[grade 5 paper topics](#)**

**[grade 5 natural science question papers exemplars](#)**

[grade 1 mathematical literacy september 2014](#)

### **Hino Brake Repair Manual :**

[amazon com customer reviews quick amp easy thai 70 - Apr 22 2022](#)

web buy a cheap copy of quick easy thai 70 everyday recipes book by nancie mcdermott now busy home cooks can bring the fantastic flavors of thai cuisine into the

[quick easy thai 70 everyday recipes google books - Feb 01 2023](#)

web read download pdf quick easy thai 70 everyday recipes by nancie mcdermott update the latest version with high quality try now



*quick easy thai 70 everyday recipes thriftbooks* - Jan 20 2022

quick and easy thai 70 everyday recipes google books - Apr 03 2023

web nancie mcdermott experienced cook teacher and author of the best selling cookbook real thai presents this collection of 70 delicious recipes that focus on easy to find

*quick easy thai 70 everyday recipes pdf pdfdrive* - Oct 29 2022

web quick easy thai 70 everyday recipes authors nancie mcdermott alison miksch summary contains seventy recipes for thai foods including appetizers and snacks

thai easy recipes thaitable com - Jun 24 2022

web quick easy thai 70 everyday recipes ebook mcdermott nancie miksch alison amazon com au kindle store

quick easy thai 70 everyday recipes worldcat org - Jul 26 2022

web quick easy thai 70 everyday recipes ktsue read more 227 people found this helpful quick yes and easy yes thai not so much read more 19 people found this

**quick easy thai 70 everyday recipes pdf zoboko com** - Sep 08 2023

web jan 20 2022 quick easy thai 70 everyday recipes by mcdermott nancie publication date 2004 topics cooking thai quick and easy cooking publisher san

quick easy thai 70 everyday recipes goodreads - Jul 06 2023

web apr 1 2004 quick easy thai 70 everyday recipes kindle edition by nancie mcdermott author alison miksch photographer format kindle edition 4 5 297

*quick easy thai 70 everyday recipes eat your books* - Nov 17 2021

*quick and easy thai 70 everyday recipes paperback amazon ca* - Dec 31 2022

web nancie mcdermott experienced cook teacher and author of the best selling cookbook real thai presents this collection of 70 delicious recipes that focus on easy to find

41 thai recipes to make at home bon appétit - Dec 19 2021

**quick easy thai 70 everyday recipes february 2023** - Sep 27 2022

web these recipes have successfully taught millions of westerners expatriates and thai students abroad how to cook thai food so that it tastes like food from home while each

**quick easy thai 70 everyday recipes pdf 70p8qm6jsgg0** - May 24 2022

web nov 13 2021 nancie mcdermott experienced cook teacher and author of the best selling cookbook real thai presents this collection of 70 delicious recipes that focus on easy

**quick easy thai 70 everyday recipes kindle edition** - Jun 05 2023

web nancie mcdermott experienced cook teacher and author of the best selling cookbook real thai presents this collection of 70 delicious recipes that focus on easy to find

**pdf epub quick and easy thai 70 everyday recipes download** - Feb 18 2022

web categories curry quick easy appetizers starters thai ingredients coconut milk ground beef fish sauce panaeng curry paste accompaniments meatball soup with

**quick easy thai 70 everyday recipes kindle edition** - Mar 22 2022

web jul 26 2017 here are 41 of our favorite thai recipes inspired by the cuisine s sweet savory salty and spicy flavors if you take a deep dive into our recipe database you ll

**quick easy thai 70 everyday recipes powell s books** - Aug 27 2022

web this page intentionally left blank table of contents introduction 8 appetizers snacks soups curries 26 36 chicken eggs meats 12 50 66 fish seafood 80 rice noodles

quick and easy thai 70 everyday recipes barnes - Nov 29 2022

web nancie mcdermott experienced cook teacher and author of the best selling cookbook real thai presents this collection of 70 delicious recipes that focus on easy to find

quick easy thai 70 everyday recipes eat your books - Mar 02 2023

web mar 15 2004 nancie mcdermott experienced cook teacher and author of the best selling cookbook real thai presents this collection of 70 delicious recipes that focus on easy

*quick easy thai 70 everyday recipes by nancie* - Oct 09 2023

web apr 1 2004 nancie mcdermott experienced cook teacher and author of the bestselling cookbook real thai presents this collection of seventy delicious recipes that focus on

**quick easy thai 70 everyday recipes archive org** - Aug 07 2023

web 276 ratings26 reviews a handbook to thai cooking filled with dishes that can become part of your everyday kitchen spicy curry spring rolls rice noodles and more now busy

nancie s cookbooks quick easy thai - May 04 2023

web nancie mcdermott experienced cook teacher and author of the best selling cookbook real thai presents this collection of 70 delicious recipes that focus on easy to find

**la societa di antico regime la societa di antico** - Sep 06 2022

web la società di antico regime xvi xviii secolo temi e problemi storiografici di gian paolo romagnani

**la società di antico regime xvi xviii secolo temi e problemi** - Nov 08 2022

web la società di antico regime xvi xviii secolo temi e problemi storiografici è un libro di gian paolo romagnani pubblicato da carocci nella collana manuali universitari acquista

*società antico regime storia moderna la società di* - May 02 2022

web la società di antico regime xvi xviii secolo temi e problemi storiografici è un libro scritto da gian paolo romagnani pubblicato da carocci nella collana manuali universitari

**riassunto la società di antico regime docsity** - Dec 29 2021

web la società di antico regime xvi xviii secolo temi right here we have countless book la società di antico regime xvi xviii secolo temi and collections to check out we

**la società di antico regime xvi xviii secolo temi aa vv pdf** - Nov 27 2021

web la società di antico regime xvi xviii secolo temi right here we have countless book la società di antico regime xvi xviii secolo temi and collections to check out we

**riassunto manuale la società di antico regime xvi xviii** - Aug 05 2022

web la società di antico regime xvi xviii secolo temi e problemi storiografici di gian paolo romagnani

**la società di antico regime xvi xviii secolo temi e problemi** - Feb 11 2023

web trova tutto il materiale per la società di antico regime xvi xviii secolo temi e problemi storiografici di gian paolo romagnani abbiamo 648 riassunti e 16 corsi relativi a questo

**la società di antico regime xvi xviii secolo temi e problemi** - Dec 09 2022

web la società di antico regime xvi xviii secolo temi e problemi storiografici manuali universitari amazon com tr kitap

**la società di antico regime xvi xviii secolo temi stefano milillo** - Jan 30 2022

web jun 26 2017 riassunto la società di antico regime xvi xviii secolo g p romagnani 13 15 mappa società antico regime 1 riassunto del libro società di antico

**la società di antico regime xvi xviii secolo temi e problemi** - Feb 28 2022

web comprehending as competently as pact even more than other will allow each success next door to the statement as capably as keenness of this la società di antico regime xvi

**la società di antico regime xvi xviii secolo temi e problemi** - May 14 2023

web temi e riassunto la società di antico regime xvi xviii secolo di la società di antico regime xvi xviii secolo m sto 02 libro la società di antico regime xvi xviii secolo g la

**la società di antico regime xvi xviii secolo temi e problemi** - Apr 01 2022

web la società di antico regime xvi xviii secolo temi e problemi storiografici di gian paolo romagnani bestseller in storia culturale e sociale 9788843054237 libreria

la società di antico regime xvi xviii secolo temi e problemi - Apr 13 2023

web secolo temi e la società di antico regime xvi xviii secolo romagnani la società di antico regime xvi xviii secolo temi e riassunto la società di antico regime xvi xviii secolo

la società di antico regime xvi xviii secolo temi e problemi - Mar 12 2023

web la società di antico regime xvi xviii secolo temi e problemi storiografici è un libro di gian paolo romagnani pubblicato da carocci nella collana manuali universitari acquista

**la società di antico regime xvi xviii secolo temi e** - Jun 15 2023

web storia moderna i 11581 la società di antico regime xvi xviii secolo temi e problemi storiografici riassunto romagnani storia moderna espatriati ed esuli riassunto

la società di antico regime xvi xviii secolo temi e problemi - Sep 25 2021

**la società di antico regime xvi xviii secolo temi e problemi** - Aug 17 2023

web la società di antico regime xvi xviii secolo temi e la società di antico regime xvi xviii secolo romagnani elementi e fonti della storia moderna unige it la società di antico

**ancien régime wikipedia** - Jan 10 2023

web gian paolo romagnani la società di antico regime xvi xviii secolo temi e problemi storiografici roma carocci 2010 sarà durantini le donne dell'ancien régime alle

*la società di antico regime xvi xviii secolo temi e* - Jun 03 2022

web la società di antico regime xvi xviii secolo temi e problemi storiografici di gian paolo romagnani 1 1 il lavoro dello storico 1 storia e storiografia

**la società di antico regime xvi xviii secolo temi aa vv book** - Oct 27 2021

web la società di antico regime xvi xviii secolo temi e la società di antico regime scribd la società di antico may 13th 2020 la società di antico regime xvi xviii secolo è un

la società di antico regime xvi xviii secolo temi e problemi - Jul 16 2023

web la società di antico regime xvi xviii secolo temi e problemi storiografici romagnani gian paolo amazon it libri

**riassunto la società di antico regime xvi xviii secolo g p** - Jul 04 2022

web jan 6 2021 storia società e famiglia libro la società di antico regime xvi xviii secolo temi e problemi storiografici di gian paolo romagnani

**la società di antico regime xvi xviii secolo temi e** - Oct 07 2022

web la società di antico regime xvi xviii secolo temi e problemi storiografici capitolo 1 il lavoro dello storico gt storia in italiano

**lmhc exam study guide** - Jul 11 2022

web lmhc exam study guide get lmhc exam study guide and very importantly only accredited colleges and universities qualify for federal financial aid funds in the last few decades the proliferation of online degree programs have solved this problem with the connectivity it takes to deliver a free lmhc exam study guide hot

**examination preparation nbcc** - Sep 25 2023

web a study guide flashcards and other study tools bundled together in one digital resource online study lessons 600 practice questions 30 instructional videos 500 flashcards test taking tips ncmhce study guide 49 99 everything you need to know for your test condensed into a single book includes review videos includes bonus digital

**hello i am going to take the lmhc matih d morawietz** - Feb 06 2022

web see more of art therapy credentials board exam study guide on facebook

**clinical exam workshop study and pass the ncmhce** - Jun 22 2023

web prepare for the lpc and ncmhce exams with our comprehensive study materials free ncmhce guide pdf online workshops and programs check the test dates now

**study guide for the ncmhce exam dsm 5 amazon com** - Feb 18 2023

web jan 21 2014 the study guide for lpc in some states lpc or lmhc licensure includes human diversity evaluation assessment mental status exam abusive and addictive behaviors diagnosis treatment dsm 5 disorders schools of psychotherapy family therapy groups career lifestyle development human growth clinical practice ethics adjunct

*national clinical mental health counseling examination nbcc* - Mar 19 2023

web handbooks about the ncmhce the national clinical mental health counseling examination ncmhce is designed to assess the knowledge skills and abilities determined to be important for providing effective counseling services the ncmhce is a requirement for counselor licensure in many states

*psychotherapists training institute* - Aug 12 2022

web study materials students receive the pti clinical mental health counselor handbook and study guide 300 pages with all the content and test taking materials included to further prepare for the test at home upcoming classes pti ncmhce exam prep workshops are offered throughout the year click here to find the dates and register

[mamhca licensure and supervision](#) - Jan 17 2023

web licensure exam classes once a clinician has completed their degree and their licensure hours the national clinical mental

health counselor exam ncmhce is the last hurdle to clear before completing the licensure application you can learn more and apply to take the exam at nbcc license exam workshops

**free ncmhce exam preparation resources from licensure exams** - Oct 14 2022

web free practice exam try our free practice exam to see how well you would do on the real thing free exam daily content want more check back here every day for a new free piece of content daily content free mobile app busy on the go download our free mobile app and study wherever you are free apps more free tips and resources

**what is a lmhc how do you find a good one fhe health** - Jun 10 2022

web nov 2 2021 an lmhc therapist works directly with clients to improve their mental health counseling is the main focus of the job some work with a variety of patients while others have specializations they might focus on a specific population mental health issue or method of therapy you can tailor this job to the psychotherapy that interests you most

[ncmhce study guide ncmhce exam prep and practice test](#) - Dec 16 2022

web nov 20 2020 this comprehensive study guide includes quick overview find out what s inside this guide test taking strategies learn the best tips to help overcome your exam introduction to the exam get a thorough breakdown of what the test is and what s on it

[ncmhce practice test updated 2023 mometrix test preparation](#) - May 21 2023

web oct 16 2023 ncmhce study guide ncmhce flashcards ncmhce format ncmhce exam outline ncmhce exam registration scheduling your ncmhce exam test day receiving your ncmhce scores online ncmhce prep course faqs ncmhce format

**ncmhce exam prep study guide practice test tips** - Jul 23 2023

web this is a test prep site for the national clinical mental health counseling examination ncmhce the online study material includes multiple choice practice quizzes and exams case studies definitions slideshows matching and more diagnostic exams pinpoint areas for extra study

**ncmhce practice exam 2024 current with fully explained** - Apr 20 2023

web the ncmhce is composed of case studies with multiple choice questions cover such areas as assessment intervention and rehabilitation when you are ready to prepare for the actual test try our full length 500 question practice exam for the ncmhce view answers as you go view 1 question at a time 1

[lmhc exam study guide pdf 2023 red ortax](#) - May 09 2022

web demand the best and trust your success to the best trivium test prep s nce cpce study guide with our national counselor exam nce counselor preparation comprehensive examination cpce test prep you will get a

**psychotherapists training institute** - Nov 15 2022

web the premier study program with an outstanding track record that prepares you for the ncmhc exam innovative

comprehensive well organized reviewing all content areas covered on exam click for more information the new revised clinical mental health counselor handbook and study guide 4th edition

**english final exam study guide 2022 ams istanbul edu** - Apr 08 2022

web study guide cset english exam secrets study guide exam guide praxis 5038 study guide and practice test questions 3rd edition ftce 047 exam prep and practice test questions for the english for speakers of other languages k 12 exam

*free online ncmhce exam practice test* - Sep 13 2022

web free online ncmhce exam practice test try a free exam this sample practice exam consists of 2 simulations and is designed to mimic the format of the real exam as closely as possible it is intended to give you an idea of how you re doing with your current study program create a free account in seconds no credit card required loading or

**lmhc licensure guide for mental health counselors corp** - Aug 24 2023

web unlike previous exams you have taken throughout your degree program the format of the ncmhce exam is unique and comprehensive to help ensure you perform to the best of your ability you will want to study before the exam not sure where to begin here is a guide to get you started toward your lmhc license

**iahcsmm practice test chapter 13 pdf ams istanbul edu** - Mar 07 2022

web cnor exam prep book 2020 and 2021 cnor study guide secrets full length practice test detailed answer explanations perianesthesia nursing ftce subject test review for the florida teacher certification examinations your key to exam success cscs test review for the certified strength and conditioning specialist exam secrets of the