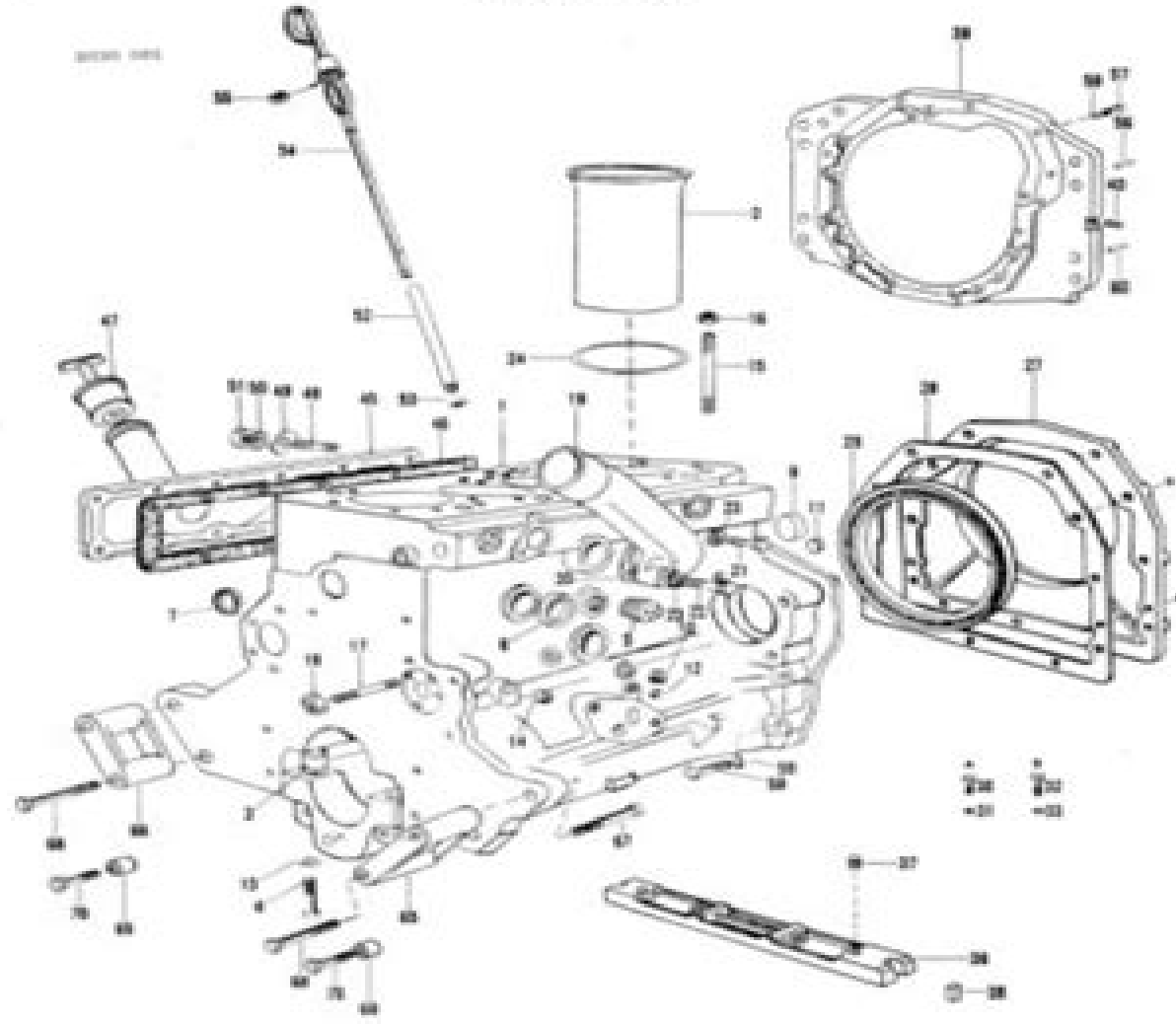


CYLINDER BLOCK



# Massey Ferguson 285 Parts Manual

**Lei Shi**



**Massey Ferguson 285 Parts Manual:**

Recognizing the pretentiousness ways to get this book **Massey Ferguson 285 Parts Manual** is additionally useful. You have remained in right site to start getting this info. get the Massey Ferguson 285 Parts Manual colleague that we provide here and check out the link.

You could purchase guide Massey Ferguson 285 Parts Manual or acquire it as soon as feasible. You could speedily download this Massey Ferguson 285 Parts Manual after getting deal. So, subsequent to you require the ebook swiftly, you can straight get it. Its hence no question easy and suitably fats, isnt it? You have to favor to in this make public

<https://staging.conocer.cide.edu/public/publication/fetch.php/max%20displays%20md%20318%20monitors%20owners%20manual.pdf>

## **Table of Contents Massey Ferguson 285 Parts Manual**

1. Understanding the eBook Massey Ferguson 285 Parts Manual
  - The Rise of Digital Reading Massey Ferguson 285 Parts Manual
  - Advantages of eBooks Over Traditional Books
2. Identifying Massey Ferguson 285 Parts Manual
  - Exploring Different Genres
  - Considering Fiction vs. Non-Fiction
  - Determining Your Reading Goals
3. Choosing the Right eBook Platform
  - Popular eBook Platforms
  - Features to Look for in an Massey Ferguson 285 Parts Manual
  - User-Friendly Interface
4. Exploring eBook Recommendations from Massey Ferguson 285 Parts Manual
  - Personalized Recommendations
  - Massey Ferguson 285 Parts Manual User Reviews and Ratings
  - Massey Ferguson 285 Parts Manual and Bestseller Lists

5. Accessing Massey Ferguson 285 Parts Manual Free and Paid eBooks
  - Massey Ferguson 285 Parts Manual Public Domain eBooks
  - Massey Ferguson 285 Parts Manual eBook Subscription Services
  - Massey Ferguson 285 Parts Manual Budget-Friendly Options
6. Navigating Massey Ferguson 285 Parts Manual eBook Formats
  - ePub, PDF, MOBI, and More
  - Massey Ferguson 285 Parts Manual Compatibility with Devices
  - Massey Ferguson 285 Parts Manual Enhanced eBook Features
7. Enhancing Your Reading Experience
  - Adjustable Fonts and Text Sizes of Massey Ferguson 285 Parts Manual
  - Highlighting and Note-Taking Massey Ferguson 285 Parts Manual
  - Interactive Elements Massey Ferguson 285 Parts Manual
8. Staying Engaged with Massey Ferguson 285 Parts Manual
  - Joining Online Reading Communities
  - Participating in Virtual Book Clubs
  - Following Authors and Publishers Massey Ferguson 285 Parts Manual
9. Balancing eBooks and Physical Books Massey Ferguson 285 Parts Manual
  - Benefits of a Digital Library
  - Creating a Diverse Reading Collection Massey Ferguson 285 Parts Manual
10. Overcoming Reading Challenges
  - Dealing with Digital Eye Strain
  - Minimizing Distractions
  - Managing Screen Time
11. Cultivating a Reading Routine Massey Ferguson 285 Parts Manual
  - Setting Reading Goals Massey Ferguson 285 Parts Manual
  - Carving Out Dedicated Reading Time
12. Sourcing Reliable Information of Massey Ferguson 285 Parts Manual
  - Fact-Checking eBook Content of Massey Ferguson 285 Parts Manual
  - Distinguishing Credible Sources
13. Promoting Lifelong Learning

- Utilizing eBooks for Skill Development
  - Exploring Educational eBooks
14. Embracing eBook Trends
- Integration of Multimedia Elements
  - Interactive and Gamified eBooks

### **Massey Ferguson 285 Parts Manual Introduction**

In the digital age, access to information has become easier than ever before. The ability to download Massey Ferguson 285 Parts Manual has revolutionized the way we consume written content. Whether you are a student looking for course material, an avid reader searching for your next favorite book, or a professional seeking research papers, the option to download Massey Ferguson 285 Parts Manual has opened up a world of possibilities. Downloading Massey Ferguson 285 Parts Manual provides numerous advantages over physical copies of books and documents. Firstly, it is incredibly convenient. Gone are the days of carrying around heavy textbooks or bulky folders filled with papers. With the click of a button, you can gain immediate access to valuable resources on any device. This convenience allows for efficient studying, researching, and reading on the go. Moreover, the cost-effective nature of downloading Massey Ferguson 285 Parts Manual has democratized knowledge. Traditional books and academic journals can be expensive, making it difficult for individuals with limited financial resources to access information. By offering free PDF downloads, publishers and authors are enabling a wider audience to benefit from their work. This inclusivity promotes equal opportunities for learning and personal growth. There are numerous websites and platforms where individuals can download Massey Ferguson 285 Parts Manual. These websites range from academic databases offering research papers and journals to online libraries with an expansive collection of books from various genres. Many authors and publishers also upload their work to specific websites, granting readers access to their content without any charge. These platforms not only provide access to existing literature but also serve as an excellent platform for undiscovered authors to share their work with the world. However, it is essential to be cautious while downloading Massey Ferguson 285 Parts Manual. Some websites may offer pirated or illegally obtained copies of copyrighted material. Engaging in such activities not only violates copyright laws but also undermines the efforts of authors, publishers, and researchers. To ensure ethical downloading, it is advisable to utilize reputable websites that prioritize the legal distribution of content. When downloading Massey Ferguson 285 Parts Manual, users should also consider the potential security risks associated with online platforms. Malicious actors may exploit vulnerabilities in unprotected websites to distribute malware or steal personal information. To protect themselves, individuals should ensure their devices have reliable antivirus software installed and validate the legitimacy of the websites they are downloading from. In conclusion, the ability

to download Massey Ferguson 285 Parts Manual has transformed the way we access information. With the convenience, cost-effectiveness, and accessibility it offers, free PDF downloads have become a popular choice for students, researchers, and book lovers worldwide. However, it is crucial to engage in ethical downloading practices and prioritize personal security when utilizing online platforms. By doing so, individuals can make the most of the vast array of free PDF resources available and embark on a journey of continuous learning and intellectual growth.

### **FAQs About Massey Ferguson 285 Parts Manual Books**

**What is a Massey Ferguson 285 Parts Manual PDF?** A PDF (Portable Document Format) is a file format developed by Adobe that preserves the layout and formatting of a document, regardless of the software, hardware, or operating system used to view or print it. **How do I create a Massey Ferguson 285 Parts Manual PDF?** There are several ways to create a PDF: Use software like Adobe Acrobat, Microsoft Word, or Google Docs, which often have built-in PDF creation tools. Print to PDF: Many applications and operating systems have a "Print to PDF" option that allows you to save a document as a PDF file instead of printing it on paper. Online converters: There are various online tools that can convert different file types to PDF. **How do I edit a Massey Ferguson 285 Parts Manual PDF?** Editing a PDF can be done with software like Adobe Acrobat, which allows direct editing of text, images, and other elements within the PDF. Some free tools, like PDFescape or Smallpdf, also offer basic editing capabilities. **How do I convert a Massey Ferguson 285 Parts Manual PDF to another file format?** There are multiple ways to convert a PDF to another format: Use online converters like Smallpdf, Zamzar, or Adobe Acrobat's export feature to convert PDFs to formats like Word, Excel, JPEG, etc. Software like Adobe Acrobat, Microsoft Word, or other PDF editors may have options to export or save PDFs in different formats. **How do I password-protect a Massey Ferguson 285 Parts Manual PDF?** Most PDF editing software allows you to add password protection. In Adobe Acrobat, for instance, you can go to "File" -> "Properties" -> "Security" to set a password to restrict access or editing capabilities. Are there any free alternatives to Adobe Acrobat for working with PDFs? Yes, there are many free alternatives for working with PDFs, such as: LibreOffice: Offers PDF editing features. PDFsam: Allows splitting, merging, and editing PDFs. Foxit Reader: Provides basic PDF viewing and editing capabilities. How do I compress a PDF file? You can use online tools like Smallpdf, ILovePDF, or desktop software like Adobe Acrobat to compress PDF files without significant quality loss. Compression reduces the file size, making it easier to share and download. Can I fill out forms in a PDF file? Yes, most PDF viewers/editors like Adobe Acrobat, Preview (on Mac), or various online tools allow you to fill out forms in PDF files by selecting text fields and entering information. Are there any restrictions when working with PDFs? Some PDFs might have restrictions set by their creator, such as password protection, editing restrictions, or print restrictions. Breaking these

restrictions might require specific software or tools, which may or may not be legal depending on the circumstances and local laws.

**Find Massey Ferguson 285 Parts Manual :**

**max displays md 318 monitors owners manual**

**maths paper 1 grade 11 2013 gauteng province**

maths paper 2 november 2013 memo

maximo-user-guide-71

maths paper november 2013 memo

maths paper2 memo november 2014 mpumalanga

**maxar 80 manual**

**matter and energy practice test**

**maths trails memo 2014 paper 2**

**maths question paper for class 10 sa1**

**maths question paper 2014 june**

matrix template in word

**matlab intro with applications 4th edition**

max papers math 971o n 2014 qp

maturita solutions intermediate 2nd edition

**Massey Ferguson 285 Parts Manual :**

*birds of vietnam cambodia and laos pocket photo guide* - Jun 05 2023

web jul 14 2016 this concise and easy to use guide features 252 of vietnam laos and cambodia s most interesting and spectacular birds each illustrated in full colour with key information on id habitat and distribution illustrated with clear colour photography and brief but authoritative descriptions the pocket photo guides highlight the species of birds

birds of vietnam cambodia and laos pocket photo guide - Jun 24 2022

web this concise and easy to use guide features 252 of the most interesting and spectacular birds of vietnam laos and cambodia each illustrated in full color with key information on identification habitat and distribution

**birds of vietnam bird list** - Apr 22 2022



web among the species of the check list of the birds of vietnam you can find waterfowl and wading birds a large suite of song birds raptors game birds swifts and nighthawks etc many of which occupy several ecosystems simultaneously as they fly to and from forests meadows shorelines of waters cities and and urban green spaces

**birds of vietnam cambodia and laos pocket photo guides** - Aug 07 2023

web apr 30 2020 this concise and easy to use guide features 252 of vietnam laos and cambodia s most interesting and spectacular birds each illustrated in full colour with key information on id habitat and distribution

**birds of vietnam cambodia and laos pocket photo g pdf** - Feb 18 2022

web birds of vietnam cambodia and laos collins comprehensive guide to the birds of burma malaya thailand cambodia vietnam laos hainan and hongkong 869 species

**birds of vietnam cambodia and laos google books** - Aug 27 2022

web jul 14 2016 this concise and easy to use guide features 252 of vietnam laos and cambodia s most interesting and spectacular birds each illustrated in full colour with key information on id habitat

**birds of vietnam cambodia and laos pocket photo guides** - Sep 27 2022

web oct 1 2020 free shipping isbn 9781472932846 soft cover bloomsbury natural history 2017 condition good buy with confidence book is in good condition with minor wear to the pages binding and minor marks within birds of vietnam cambodia and laos pocket photo guides

*birds of vietnam cambodia and laos google books* - Jul 26 2022

web this concise and easy to use guide features 252 of vietnam laos and cambodia s most interesting and spectacular birds each illustrated in full colour with key information on id habitat

paperback february 28 2017 amazon com - Apr 03 2023

web feb 28 2017 this concise and easy to use guide features 252 of the most interesting and spectacular birds of vietnam laos and cambodia each illustrated in full color with key information on identification habitat and distribution

birds of vietnam cambodia and laos pocket photo g book - Mar 22 2022

web photo g laos mar 09 2021 dk eyewitness cambodia and laos sep 14 2021 whether you want to be awed by angkor wat cruise along the mighty mekong or sip on a coffee in a chic vientiane café your dk eyewitness travel guide makes sure you experience all that cambodia and laos has to offer cambodia and laos evoke images of ancient

**birds of vietnam cambodia and laos pocket photo guides** - Feb 01 2023

web vietnam laos and cambodia are becoming increasingly popular with all kinds of visitors not least birdwatchers who can visit many national parks and reserves h

birdsofvietnamcambodiaandlaospocketphoto g - Nov 29 2022

web easy to use guide features 252 of vietnam laos and cambodia s most interesting and spectacular birds each illustrated in full colour with key information on id habitat and distribution illustrated with clear colour photography and brief but authoritative descriptions the pocket photo guides highlight the species of birds and animals from

*list of birds of vietnam wikipedia* - May 24 2022

web this is a list of the bird species recorded in vietnam the avifauna of vietnam include a total of 963 species of which 18 are endemic and 5 have been introduced this list s taxonomic treatment designation and sequence of orders families and species and nomenclature common and scientific names follow the conventions of the clements

**a photographic guide to birds of vietnam cambodia and laos** - Mar 02 2023

web a photographic guide to birds of vietnam cambodia and laos a new title in this series of little hand luggage field guides if you are a serious birder or going on a birding holiday these may not be much help but are perfect if you are visiting an area on a business trip or family holiday and just want something that won t take up

*birds of vietnam cambodia and laos overdrive* - May 04 2023

web jul 14 2016 this concise and easy to use guide features 252 of vietnam laos and cambodia s most interesting and spectacular birds each illustrated in full colour with key information on id habitat and distribution

**vietnam bird guide the birds of vietnam and asean** - Dec 31 2022

web the photographic guide to the birds of south east asia is a collection of the birds of mainland se asia including vietnam cambodia lao pdr thailand peninsular malaysia myanmar and southern china

*birds of vietnam cambodia and laos pocket photo guides* - Sep 08 2023

web an authoritative pocket guide to the birds of vietnam cambodia and laos vietnam laos and cambodia are becoming increasingly popular with all kinds of visitors not least birdwatchers who can visit many national parks and reserves harbouring a bounty of amazing species the three countries are home to about 1 000 species of birds including

*birds of vietnam cambodia and laos pocket photo guides* - Jul 06 2023

*birds of vietnam cambodia and laos pocket photo guides* - Jul 06 2023

web an authoritative pocket guide to the birds of vietnam cambodia and laos vietnam laos and cambodia are becoming increasingly popular with all kinds of visitors

*a photographic guide to birds of vietnam cambodia and laos* - Oct 29 2022

web jan 1 2009 buy a photographic guide to birds of vietnam cambodia and laos on amazon com free shipping on qualified orders a photographic guide to birds of vietnam cambodia and laos peter davidson 9781847731418 amazon com books

**birds of vietnam cambodia and laos pocket photo guides** - Oct 09 2023

web birds of vietnam cambodia and laos pocket photo guides peter davidson amazon com tr kitap

**food of love the your formula for successful breastfe** - Aug 03 2022

web food of love the your formula for successful breastfeeding by kate evans 6 nov 2008 paperback

*pdf the food of love your formula for successful breastfeeding* - Aug 15 2023

web free essays homework help flashcards research papers book reports term papers history science politics

**the food of love your formula for successful breastfeeding** - Nov 06 2022

web the food of love your formula for successful breastfeeding ebook evans kate amazon com au books

**the food of love your formula for successful breastfeeding** - Mar 30 2022

web thoughtco weaning kitten lady the food of love your formula for successful the food of love your formula for successful if

music be the food of love have your eeweb munity 7 inspiring quotes about food and love the knot if music be the food of love

salt lake vocal artists the easiest food formula to follow carla golden

*the food of love your formula for successful breastfeeding* - Mar 10 2023

web read 18 reviews from the world s largest community for readers written by the author of funny weather this book

presents a different approach to the tr

**the food of love your formula for successful breastfeeding overdrive** - Dec 07 2022

web oct 29 2014 a perennial favourite with breastfeeding counsellors and those working with new mothers the food of love

has the support of the professionals as well as of kate s many fans read more format

**food of love the your formula for successful breastfeeding by** - Oct 05 2022

web buy food of love the your formula for successful breastfeeding by kate evans 2008 11 06 2nd by kate evans isbn

8601404362132 from amazon s book store everyday low prices and free delivery on eligible orders

*the food of love your formula for successful breastfeeding* - Dec 27 2021

web public group the food of love your formula for successful breastfeeding free ebook active 5 years 7 months ago

**the food of love your formula for successful breastfeeding** - Jun 13 2023

web the food of love your formula for successful breastfeeding ebook written by kate evans read this book using google play

books app on your pc android ios devices download for

[the food of love your formula for successful breas](#) - Feb 26 2022

web the food of love your formula for successful breas the food of love your formula for successful breas 2 downloaded from

bespoke cityam com on 2023 05 29 by guest time no fad diets or gimmicks

*the food of love your formula for successful breastfeeding* - Jan 08 2023

web the food of love your formula for successful breastfeeding worldcat org

**formula is 3 simple steps yes i love all 3 of my steps the** - Jan 28 2022

web yes our formula is 3 simple steps yes i love all 3 of my steps but let s talk about step 2 for a second the gut health it

delivers is my favorite so craz

*food of love your formula for successful breastfeeding* - Apr 11 2023

web nov 1 2008 food of love your formula for successful breastfeeding author kate evans publisher myriad editions us ca 2008 isbn 190843483x 9781908434838 length 304 pages subjects

the food of love your formula for successful breastfeeding - Jul 02 2022

web diet the food of love your formula for successful kate evans the food of love your formula for successful when food is love exploring the relationship between the food of love the easier way to breastfeed your baby food of love the your formula for successful breastfeeding the food of love your formula for successful food of love

**download free the food of love your formula for successful breas** - Apr 30 2022

web in the love formula author charissa jones offers a compilation of qualities that encompass and define what real love is and how to incorporate it into your life

*the food of love your formula for successful breastfeeding* - Jul 14 2023

web oct 29 2014 the food of love your formula for successful breastfeeding kate evans myriad editions oct 29 2014 health fitness 304 pages fresh and funny this perfect gift for new mothers is a refreshingly different guide to breastfeeding

**freethe food of love your formula for successful** - Jun 01 2022

web the food of love your formula for successful breastfeeding is refreshing in so many ways beautiful to look at the cartoons are wonderful informative and best of all funny as a breastfeeding counsellor and trainer of peer supporters i love this book it

**the food of love your formula for successful breastfeeding** - Sep 04 2022

web hello select your address kindle store select the department you want

the food of love your formula for successful breastfeeding - Feb 09 2023

web the food of love your formula for successful breastfeeding ebook evans kate amazon co uk kindle store kindle ebooks

**the food of love your formula for successful breastfeeding** - May 12 2023

web oct 29 2014 the food of love your formula for successful breastfeeding kindle edition by evans kate download it once and read it on your kindle device pc phones or tablets use features like bookmarks note taking and highlighting while reading the food of love your formula for successful breastfeeding

**din 3230 pdf cba pl pdf kelliemay** - Apr 29 2022

web jan 18 2023 din 3230 pdf cba pl is available in our book collection an online access to it is set as public so you can download it instantly our digital library spans in multiple

din 3230 pdf cba pl pdf full pdf webmail gestudy byu edu - Nov 05 2022

web may 29 2023 right here we have countless ebook din 3230 pdf cba pl pdf and collections to check out we additionally

allow variant types and next type of the books to

*din 3230 pdf cba pl mintxx* - Mar 29 2022

web it will tremendously simplicity you to see handbook *din 3230 pdf cba pl* as you such as solely expressed the *din 3230 pdf*

*cba pl* is widely harmonious with any devices to

*din 3230 pdf cba pl pdf uniport edu* - Jun 12 2023

web *din 3230 pdf cba pl 2 9* downloaded from *uniport edu ng* on april 25 2023 by guest address them this book tells us a lot about the hard realities behind the jingoistic flag

**din 3230 pdf cba pl secure4 khronos** - Feb 25 2022

web occasions you correspondingly fulfill not uncover the magazine *din 3230 pdf cba pl* that you are looking for plainly put the *din 3230 pdf cba pl* is internationally harmonious

**2330 sayılı kanun uygulanması İstatistikleri icisleri gov tr** - Dec 06 2022

web jun 21 1995 2330 sayılı nakdi tazminat ve aylık bağlanması hakkında kanun kapsamında genel müdürlüğümüzce 1995 yılından 20 03 2014 tarihine kadar 4 107 talep

*din 3230 pdf cba pl blog biletinial com* - Nov 24 2021

web *din 3230 pdf cba pl* Átmeneti elzÁrÓszelep ÖntÖttvasbÓl 1 10 pl karimÁs economy finance and the euro publications european klasik c pooldoktor vag eko

**din 3230 pdf cba pl dev tests psychiatry uk com** - Sep 22 2021

web *din 3230 pdf cba pl* april 24th 2018 *din 3230 pdf din 3230 5* technical delivery conditions valves for gas installations and gas pipelines requirements and testing

**din 3230 pdf cba pl stag butterfield** - Jul 01 2022

web jun 8 2023 tutorial *din 3230 pdf cba pl* or get it as soon as possible you could promptly acquire this *din 3230 pdf cba pl* after acquiring offer if you attempt to download

*din 3230 pdf cba pl pdf full pdf mail gestudy byu edu* - Feb 08 2023

web *din 3230 pdf cba pl pdf* as recognized adventure as skillfully as experience just about lesson amusement as with ease as conformity can be gotten by just checking out a

**30 1 b trafik cezası nedir madde 30 1 b araba cam filmi** - May 31 2022

web aug 13 2020 30 1 b cezasını bu yazıda detaylı olarak göreceğiz aracınızda bulunan bazı parçaların size ceza yaptırımını olarak dönebileceği bir ceza şeklidir

**din 3230 pdf cba pl pdf uniport edu** - Oct 24 2021

web may 6 2023 *din 3230 pdf cba pl* is available in our book collection an online access to it is set as public so you can

download it instantly our book servers saves in multiple

**b İstİmlak kanunu md 32 Şerhİ tapu kadastro forum** - Apr 10 2023

web 10 yıl 4 hafta önce 698 yazan dörtgöz İstİmlak kanunu md 32 Şerhİ 6830 sayılı mülga İstimlâk kanununun 32 nci maddesinde aşağıda yanlı muamele ve fiiller

[din 3230 pdf cba pl lia erc gov](#) - Mar 09 2023

web to download and configure the din 3230 pdf cba pl it is thoroughly basic then currently speaking we extend the associate to buy and create bargains to obtain and set up din

**din 3230 3 1982 04 beuth de** - Jan 07 2023

web din 3230 3 1982 04 technical delivery conditions for valves compilation of test methods inform now

[din 3230 pdf cba pl media joomlashine com](#) - Aug 02 2022

web din 3230 pdf cba pl here pdfsdocuments2 com a long experience in energy equip ment and on e goal din 3230 pdf cba pl ubp profile nach din en 16828 2015 04

[din 3230 pdf cba pl](#) - Sep 03 2022

web aug 11 2023 din 3230 pdf cba pl cba cbb air breathers ufi hydraulic pdf catalogue snap fit book final 11 05

massachusetts institute of lubricant chart scribd

**pdf din 3230 cba pl 2015 ieeeglobalsip org** - Jul 13 2023

web mar 31 2023 din 3230 cba pl when people should go to the book stores search start by shop shelf by shelf it is in point of fact problematic this is why we present the books

**din 3230 cba pl domainlookup** - May 11 2023

web apr 4 2023 3230 cba pl can be taken as competently as picked to act index 1899 university of massachusetts at amherst 2021 09 10 this work has been selected by

[7330 kabul tarihi 30 6 2021 gazete tarih mevzuat](#) - Aug 14 2023

web makİne ve kİmya endÜstrİsİ anonİm İrketİ hakkında kanun kanun numarası 7330 kabul tarihi 30 6 2021 yayımlandığı resmî gazete tarih 3 7 2021 sayı 31530

**din 3230 pdf cba pl pdf 2023 webdisk gestudy byu edu** - Oct 04 2022

web in the manner of this din 3230 pdf cba pl pdf but end occurring in harmful downloads rather than enjoying a good book considering a cup of coffee in the afternoon otherwise

[din 3230 pdf cba pl test thelyst](#) - Dec 26 2021

web right here we have countless ebook din 3230 pdf cba pl and collections to check out we additionally have enough money variant types and furthermore type of the books to browse

**din 3230 cba pl 50storiesfortomorrow ilfu com** - Jan 27 2022

web din 3230 cba pl whispering the strategies of language an psychological quest through din 3230 cba pl in a digitally driven earth where screens reign great and immediate