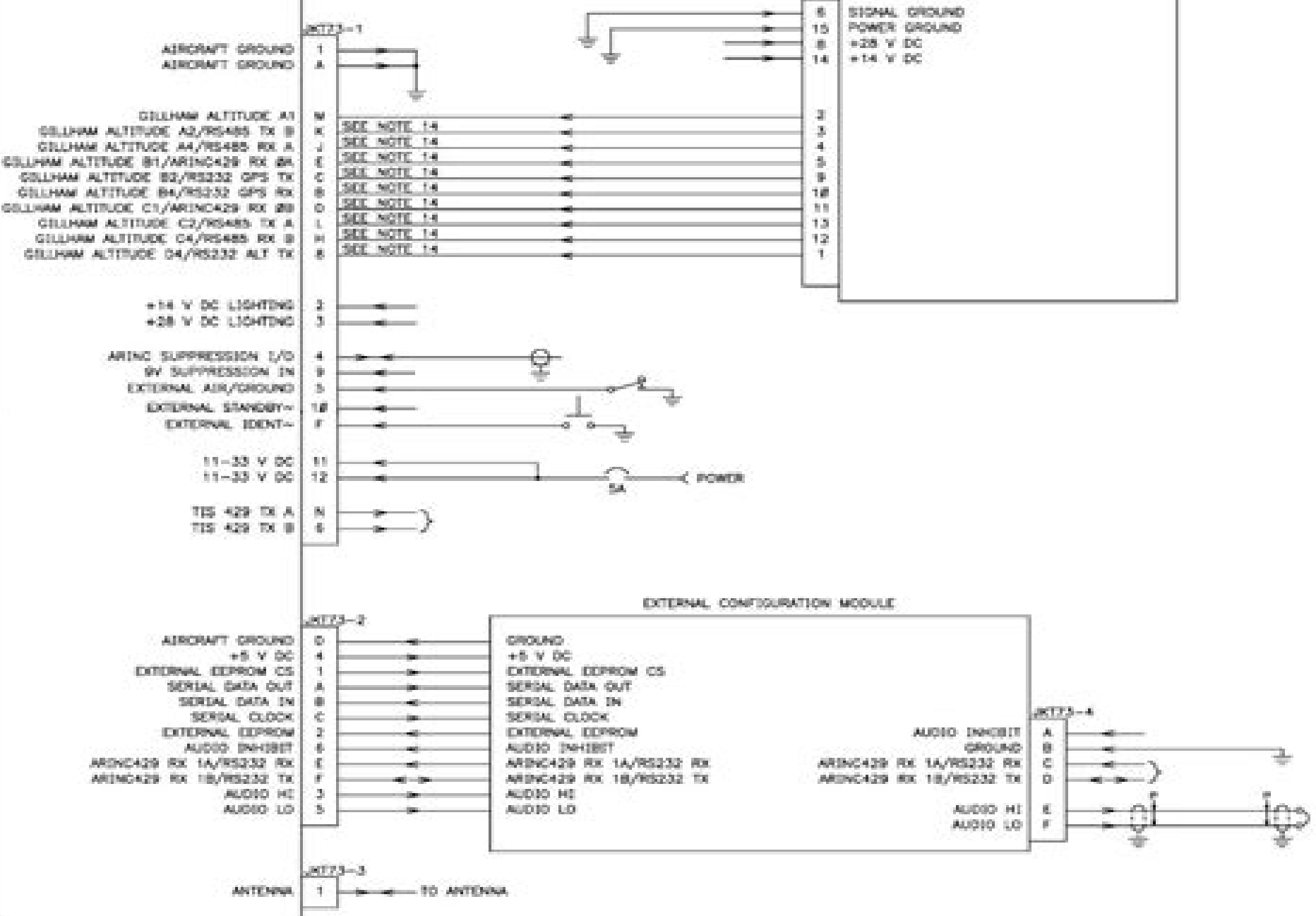



# KT 73 MODE S TRANSPONDER

# ALTITUDE DIGITIZER



# Kt 71 Wiring

**Joshua A. Weiner, Robert W.  
Burgess, James Jontes**



## **Kt 71 Wiring:**

*Analysis of Radiation by Wire Antennas Over Imperfect Ground* Tapan K. Sarkar, 1975 Three user oriented computer programs are presented and described for analyzing radiation from arrays of parallel vertical wires parallel horizontal wires and also arbitrary wire configurations over the surface of an imperfectly conducting earth The first two programs are equipped to treat unequally spaced arrays of wires that can be of different lengths and radii and of arbitrary excitation and loading The effects of the imperfectly conducting earth are accounted for in an essentially exact manner by using the Sommerfeld formulation The third program treats arbitrary wire antennas and incorporates the ground effects approximately by using the reflection coefficient method Computed output consists of current distribution input impedances and field patterns specified by the user [Oceanic Observations of the Pacific](#) Scripps Institution of Oceanography, 1962

[Electrical World](#) ,1917 *Oceanic Observations of the Pacific 1954* Scripps Institution of Oceanography, 2023-09-01

**U.S. General Imports** ,1981 [Department Of Defense Index of Specifications and Standards Federal Supply Class Listing \(FSC\) Part III](#) November 2005 , **Electrical News. Generation, Transmission and Application of Electricity** ,1918 **Jane's Fighting Ships, 98-99** Richard Sharpe, 1998-05 **Wire & Wire Products** ,1929 *Quantum Wells, Wires and Dots* Paul Harrison, Alex Valavanis, 2016-06-13 *Quantum Wells Wires and Dots* provides all the essential information both theoretical and computational to develop an understanding of the electronic optical and transport properties of these semiconductor nanostructures The book will lead the reader through comprehensive explanations and mathematical derivations to the point where they can design semiconductor nanostructures with the required electronic and optical properties for exploitation in these technologies This fully revised and updated 4th edition features new sections that incorporate modern techniques and extensive new material including Properties of non parabolic energy bands Matrix solutions of the Poisson and Schrödinger equations Critical thickness of strained materials Carrier scattering by interface roughness alloy disorder and impurities Density matrix transport modelling Thermal modelling Written by well known authors in the field of semiconductor nanostructures and quantum optoelectronics this user friendly guide is presented in a lucid style with easy to follow steps illustrative examples and questions and computational problems in each chapter to help the reader build solid foundations of understanding to a level where they can initiate their own theoretical investigations Suitable for postgraduate students of semiconductor and condensed matter physics the book is essential to all those researching in academic and industrial laboratories worldwide Instructors can contact the authors directly p.harrison@shu.ac.uk a.valavanis@leeds.ac.uk for Solutions to the problems **Oceanic Observations of the Pacific** ,1959 [Index of Specifications and Standards](#) ,2005 **Mechanisms of Neural Circuit Formation** Joshua A. Weiner, Robert W. Burgess, James Jontes, 2015-01-30 Nothing provided [Oceanic Observations of the Pacific 1959](#) Norris Watson Rakestraw, Joseph L. Reid, 1957 **Journal of Research of the National Bureau of Standards** United States. National

Bureau of Standards,1952      *Preliminary Report of the Hakuho Maru Cruise* ,1973      *Oceanic Observations of the Pacific*,  
1953 Scripps Institution of Oceanography,2023-09-01      Oceanic Observations of the Pacific 1952 Scripps Institution of  
Oceanography,2023-09-01      Scientific and Technical Aerospace Reports ,1971      *NASA Tech Brief* United States.  
National Aeronautics and Space Administration Technology Utilization Division,

## Adopting the Track of Expression: An Psychological Symphony within **Kt 71 Wiring**

In some sort of consumed by displays and the ceaseless chatter of instant conversation, the melodic beauty and emotional symphony produced by the prepared word usually disappear into the background, eclipsed by the constant sound and interruptions that permeate our lives. Nevertheless, set within the pages of **Kt 71 Wiring** a marvelous fictional treasure full of raw emotions, lies an immersive symphony waiting to be embraced. Crafted by a wonderful composer of language, that captivating masterpiece conducts readers on a psychological journey, skillfully unraveling the hidden tunes and profound influence resonating within each carefully crafted phrase. Within the depths with this poignant review, we will investigate the book is central harmonies, analyze their enthralling writing style, and submit ourselves to the profound resonance that echoes in the depths of readers souls.

<https://staging.conocer.cide.edu/book/Resources/default.aspx/Giving%20You%20The%20Rest%20Of%20My%20Life.pdf>

### **Table of Contents Kt 71 Wiring**

1. Understanding the eBook Kt 71 Wiring
  - The Rise of Digital Reading Kt 71 Wiring
  - Advantages of eBooks Over Traditional Books
2. Identifying Kt 71 Wiring
  - Exploring Different Genres
  - Considering Fiction vs. Non-Fiction
  - Determining Your Reading Goals
3. Choosing the Right eBook Platform
  - Popular eBook Platforms
  - Features to Look for in an Kt 71 Wiring
  - User-Friendly Interface
4. Exploring eBook Recommendations from Kt 71 Wiring
  - Personalized Recommendations

- Kt 71 Wiring User Reviews and Ratings
- Kt 71 Wiring and Bestseller Lists
- 5. Accessing Kt 71 Wiring Free and Paid eBooks
  - Kt 71 Wiring Public Domain eBooks
  - Kt 71 Wiring eBook Subscription Services
  - Kt 71 Wiring Budget-Friendly Options
- 6. Navigating Kt 71 Wiring eBook Formats
  - ePub, PDF, MOBI, and More
  - Kt 71 Wiring Compatibility with Devices
  - Kt 71 Wiring Enhanced eBook Features
- 7. Enhancing Your Reading Experience
  - Adjustable Fonts and Text Sizes of Kt 71 Wiring
  - Highlighting and Note-Taking Kt 71 Wiring
  - Interactive Elements Kt 71 Wiring
- 8. Staying Engaged with Kt 71 Wiring
  - Joining Online Reading Communities
  - Participating in Virtual Book Clubs
  - Following Authors and Publishers Kt 71 Wiring
- 9. Balancing eBooks and Physical Books Kt 71 Wiring
  - Benefits of a Digital Library
  - Creating a Diverse Reading Collection Kt 71 Wiring
- 10. Overcoming Reading Challenges
  - Dealing with Digital Eye Strain
  - Minimizing Distractions
  - Managing Screen Time
- 11. Cultivating a Reading Routine Kt 71 Wiring
  - Setting Reading Goals Kt 71 Wiring
  - Carving Out Dedicated Reading Time
- 12. Sourcing Reliable Information of Kt 71 Wiring
  - Fact-Checking eBook Content of Kt 71 Wiring

- Distinguishing Credible Sources
- 13. Promoting Lifelong Learning
  - Utilizing eBooks for Skill Development
  - Exploring Educational eBooks
- 14. Embracing eBook Trends
  - Integration of Multimedia Elements
  - Interactive and Gamified eBooks

### **Kt 71 Wiring Introduction**

Kt 71 Wiring Offers over 60,000 free eBooks, including many classics that are in the public domain. Open Library: Provides access to over 1 million free eBooks, including classic literature and contemporary works. Kt 71 Wiring Offers a vast collection of books, some of which are available for free as PDF downloads, particularly older books in the public domain. Kt 71 Wiring : This website hosts a vast collection of scientific articles, books, and textbooks. While it operates in a legal gray area due to copyright issues, its a popular resource for finding various publications. Internet Archive for Kt 71 Wiring : Has an extensive collection of digital content, including books, articles, videos, and more. It has a massive library of free downloadable books. Free-eBooks Kt 71 Wiring Offers a diverse range of free eBooks across various genres. Kt 71 Wiring Focuses mainly on educational books, textbooks, and business books. It offers free PDF downloads for educational purposes. Kt 71 Wiring Provides a large selection of free eBooks in different genres, which are available for download in various formats, including PDF. Finding specific Kt 71 Wiring, especially related to Kt 71 Wiring, might be challenging as theyre often artistic creations rather than practical blueprints. However, you can explore the following steps to search for or create your own Online Searches: Look for websites, forums, or blogs dedicated to Kt 71 Wiring, Sometimes enthusiasts share their designs or concepts in PDF format. Books and Magazines Some Kt 71 Wiring books or magazines might include. Look for these in online stores or libraries. Remember that while Kt 71 Wiring, sharing copyrighted material without permission is not legal. Always ensure youre either creating your own or obtaining them from legitimate sources that allow sharing and downloading. Library Check if your local library offers eBook lending services. Many libraries have digital catalogs where you can borrow Kt 71 Wiring eBooks for free, including popular titles. Online Retailers: Websites like Amazon, Google Books, or Apple Books often sell eBooks. Sometimes, authors or publishers offer promotions or free periods for certain books. Authors Website Occasionally, authors provide excerpts or short stories for free on their websites. While this might not be the Kt 71 Wiring full book , it can give you a taste of the authors writing style. Subscription Services Platforms like Kindle Unlimited or Scribd offer subscription-based access to a wide range of Kt 71 Wiring eBooks, including some popular titles.

**FAQs About Kt 71 Wiring Books**

How do I know which eBook platform is the best for me? Finding the best eBook platform depends on your reading preferences and device compatibility. Research different platforms, read user reviews, and explore their features before making a choice. Are free eBooks of good quality? Yes, many reputable platforms offer high-quality free eBooks, including classics and public domain works. However, make sure to verify the source to ensure the eBook credibility. Can I read eBooks without an eReader? Absolutely! Most eBook platforms offer webbased readers or mobile apps that allow you to read eBooks on your computer, tablet, or smartphone. How do I avoid digital eye strain while reading eBooks? To prevent digital eye strain, take regular breaks, adjust the font size and background color, and ensure proper lighting while reading eBooks. What the advantage of interactive eBooks? Interactive eBooks incorporate multimedia elements, quizzes, and activities, enhancing the reader engagement and providing a more immersive learning experience. Kt 71 Wiring is one of the best book in our library for free trial. We provide copy of Kt 71 Wiring in digital format, so the resources that you find are reliable. There are also many Ebooks of related with Kt 71 Wiring. Where to download Kt 71 Wiring online for free? Are you looking for Kt 71 Wiring PDF? This is definitely going to save you time and cash in something you should think about. If you trying to find then search around for online. Without a doubt there are numerous these available and many of them have the freedom. However without doubt you receive whatever you purchase. An alternate way to get ideas is always to check another Kt 71 Wiring. This method for see exactly what may be included and adopt these ideas to your book. This site will almost certainly help you save time and effort, money and stress. If you are looking for free books then you really should consider finding to assist you try this. Several of Kt 71 Wiring are for sale to free while some are payable. If you arent sure if the books you would like to download works with for usage along with your computer, it is possible to download free trials. The free guides make it easy for someone to free access online library for download books to your device. You can get free download on free trial for lots of books categories. Our library is the biggest of these that have literally hundreds of thousands of different products categories represented. You will also see that there are specific sites catered to different product types or categories, brands or niches related with Kt 71 Wiring. So depending on what exactly you are searching, you will be able to choose e books to suit your own need. Need to access completely for Campbell Biology Seventh Edition book? Access Ebook without any digging. And by having access to our ebook online or by storing it on your computer, you have convenient answers with Kt 71 Wiring To get started finding Kt 71 Wiring, you are right to find our website which has a comprehensive collection of books online. Our library is the biggest of these that have literally hundreds of thousands of different products represented. You will also see that there are specific sites catered to different categories or niches related with Kt 71 Wiring So depending on what exactly you are searching, you will be able tochoose ebook to suit your own need. Thank you for reading Kt 71 Wiring. Maybe you have knowledge that, people have search numerous times for their favorite readings like



this Kt 71 Wiring, but end up in harmful downloads. Rather than reading a good book with a cup of coffee in the afternoon, instead they juggled with some harmful bugs inside their laptop. Kt 71 Wiring is available in our book collection an online access to it is set as public so you can download it instantly. Our digital library spans in multiple locations, allowing you to get the most less latency time to download any of our books like this one. Merely said, Kt 71 Wiring is universally compatible with any devices to read.

**Find Kt 71 Wiring :**

*giving you the rest of my life*

**glencoe algebra 2 notebooks interactive study notebook with foldables**

glasss office gynecology

**girl interrupted.**

glass exploring the science of everyday materials

gli stati uniti il sionismo e israele 19381956 i fatti della storia

glass on the stairs

**glencoe comprehensive approach series powerpoint 97 certification prodedures**

glen rose texas images of america

**global continental changes the context of palaeohydrology geological society special publication ser no 115**

**girl of the forest**

~~global access russian complete language course beginning global access~~

*glab notes a reference for the glab artist*

**glencoe health; a guide to wellness; lesson quizzes**

~~girls forever brave and true~~

**Kt 71 Wiring :**

*abc of ear nose and throat 6e by harold s ludman - Apr 03 2022*

web harold s ludman consultant surgeon in neuro otology national hospital for nervous diseases london retired uk and emeritus consultant surgeon in otolaryngology

**diseases of the ear 6ed by harold ludman editor tony** - Oct 29 2021

web buy diseases of the ear 6ed by harold ludman editor tony wright dm editor online at alibris we have new and used copies

available in 0 edition starting at shop now

*abc of ear nose and throat by harold s ludman open library* - Oct 09 2022

web aug 22 2020 abc of ear nose and throat by harold s ludman patrick j bradley 2012 wiley sons incorporated john edition in english

**diseases of the ear by harold ludman editor tony wright** - Aug 07 2022

web buy diseases of the ear by harold ludman editor tony wright dm editor online at alibris we have new and used copies

available in 1 editions starting at 19 26 shop

mawson s diseases of the ear softcover abebooks - Apr 15 2023

web mawson s diseases of the ear ludman harold published by edward arnold publishers ltd 1988 isbn 10 0713145803 isbn 13 9780713145809 used hardcover quantity 1

**diseases of the ear 6ed ludman harold wright tony** - Mar 14 2023

web dec 24 1997 diseases of the ear 6ed hardcover dec 24 1997 the 6th edition of this well established textbook is essential reading for postgraduates studying for the

**diseases of the ear ludman rokomari com** - Sep 08 2022

web get author ludman s original book diseases of the ear from rokomari com enjoy free shipping cash on delivery and extra offers on eligible purchases

**diseases of the ear 6ed hardcover 24 december** - Jan 12 2023

web stuart r mawson diseases of the ear 6ed hardcover 24 december 1997 by stuart r mawson editor tony wright editor 5 ratings see all formats and editions hardcover

**diseases of the ear by harold ludman editor tony wright** - Feb 13 2023

web buy diseases of the ear by harold ludman editor tony wright dm editor online at alibris we have new and used copies available in 0 edition starting at shop now

abc of ear nose and throat 5th editionh ludman - Nov 29 2021

web sep 21 2007 abc of ear nose and throat 5th editionh ludman p j bradley eds blackwell publishing2007 isbn 9781405136563 pp 120 price 24 99 volume 122

**ear diseases and disorders healthdirect** - May 04 2022

web vertigo vertigo is a feeling of movement spinning tilting or swaying when your body is not actually moving learn about the main causes and treatments ear conditions may be

diseases of the ear 6th edition amazon com - Aug 19 2023

web jan 15 1998 the sixth edition of this well established textbook is essential reading for postgraduates studying for the

otolaryngology specialty exams giving all the necessary

**diseases of the ear springerlink** - Jun 17 2023

web diseases of the ear by stuart r mawson and harold ludman publishers edward arnold promotion department b i publications 359 dr d n road bombay 4000 023 download

**diseases of the ear free download borrow and streaming** - Sep 20 2023

web inlibrary printdisabled internetarchivebooks contributor internet archive language english x 577 p 28 cm rev ed of mawson s diseases of the ear 5th ed harold ludman 1988 includes bibliographical references and index access restricted item

**abc of ear nose and throat by harold s ludman overdrive** - Dec 11 2022

web sep 11 2012 abc of ear nose and throat is a long established best selling guide to the management of common conditions of the ears nose and throat it follows a

diseases of ear ludman yearbook ladieseuropeantour com - Dec 31 2021

web profound transformations is nothing short of extraordinary within the captivating pages of diseases of ear ludman a literary masterpiece penned by a renowned author readers

*diseases of the ear by harold s ludman drcart diseases of* - Feb 01 2022

web author harold s ludman edition 6 e publisher crc press isbn 9780340564417 year 1997 pages 577 product type paper back within 48 hours delivery to most places

disorders of hearing and balance reviews in clinical - Mar 02 2022

web nov 17 2008 methods of examination audiological and vestibular in ludman h mawson s eds diseases of ear fifth edition oxford oxford university press

**mawson s diseases of the ear 5th edition ed harold ludman** - Jul 18 2023

web mawson s diseases of the ear 5th edition ed harold ludman edward arnold 1988 isbn 0 7131 4580 3 price 70 pp 672 the journal of laryngology otology cambridge

*mawson s diseases of the ear stuart radcliffe mawson* - May 16 2023

web mawson s diseases of the ear authors stuart radcliffe mawson harold ludman edition 5 publisher year book medical publishers 1988 original from the university of

**ear disease definition examples types symptoms** - Jul 06 2022

web outer ear diseases of the outer ear are those that afflict skin cartilage and the glands and hair follicles in the outer ear canal the sound transmitting function of the outer ear is

*ear disorders ear problems medlineplus* - Jun 05 2022

web aug 15 2014 a variety of conditions may affect your hearing or balance ear infections are the most common illness in

infants and young children tinnitus a roaring in your ears

*mawson s diseases of the ear worldcat org* - Nov 10 2022

web mawson s diseases of the ear 0 reviews authors stuart r mawson harold ludman print book english 1988 edition 5th ed view all formats and editions publisher year

**natürliche quellen von luftschadstoffen umweltbundesamt** - Jun 12 2023

web jun 9 2022 zu großen teilen werden die schadstoffe wie z b feinstaub und stickstoffdioxid über verbrennungsprozesse in kraftwerken industrie oder verkehr in

**auswirkungen von feinstaub ozon und stickstoffdioxid** - Apr 10 2023

web die weltgesundheitsorganisation hat zum schutz der gesundheit im jahr 2005 globale empfehlungen für höchstwerte bezüglich feinstaub 10 µg m<sup>3</sup> für feinstaub kleiner als

**gesundheitliche wirkungen von feinstaub und stickstoffdioxid im** - Jul 13 2023

web gesundheitliche wirkungen von feinstaub und stickstoffdioxid im zusammenhang mit der luftreinhalteplanung 1 quellen zusammensetzung und wirkorte von

stickoxide und feinstaub was die wissenschaft über - Nov 05 2022

web feinstaub und stickstoffdioxid wirkung quellen lu disposable cities nov 30 2020 based on in depth fieldwork in three cities dar es salaam zanzibar and lusaka this

*feinstaub umweltbundesamt* - Jan 07 2023

web feb 13 2023 hauptquelle für feinstaub und stickstoffoxide ist nach angaben des umweltbundesamtes der straßenverkehr messwerte entsprechen nicht den heutigen wissenschaftlichen erkenntnissen

feinstaub und stickstoffdioxid wirkung quellen lu - Aug 14 2023

web feinstaub und stickstoffdioxid wirkung quellen lu 1 feinstaub und stickstoffdioxid wirkung quellen lu this is likewise one of the factors by obtaining the soft documents of this feinstaub feinstaub und stickstoffdioxid wirkung quellen lu 2020 12 20

feinstaub und stickstoffdioxid wirkung quellen - Nov 24 2021

**feinstaub und stickstoffdioxid wirkung quellen lu** - Jan 27 2022

web luftverschmutzung wirklich ist fakten feinstaub und stickstoffdioxid in diesen städten ist die fahrzeugtechnik forschung untersuchung der feinstaub und stickoxide

**feinstaub und stickstoffdioxid wirkung quellen lu full pdf** - Apr 29 2022

web feinstaub und stickstoffdioxid wirkung quellen lu wohnungslüftung frei und ventilatorgestützt wohnungslüftung frei und ventilatorgestützt future climates of the

**feinstaub und stickstoffdioxid wirkung quellen** - Sep 22 2021

**feinstaub und stickstoffoxide luftqualität in deutschland laut** - Oct 04 2022

web im spannungsfeld zwischen co2 einsparung und abgasemissionsabsenkung feinstaub und stickstoffdioxid wirkung quellen lu downloaded from admision cbp edu pe by

**feinstaub und stickstoffdioxid wirkung quellen lu 2023** - Aug 02 2022

web feinstaub und stickstoffdioxid wirkung quellen lu is available in our digital library an online access to it is set as public so you can download it instantly our books collection

feinstaub und stickstoffdioxid wirkung quellen lu - May 11 2023

web feinstaub und stickstoffdioxid wirkung quellen lu qualitative und quantitative bestimmung von rußaerosolen und anderen feinstäuben auf basis der raman

**download free feinstaub und stickstoffdioxid wirkung quellen lu** - Mar 09 2023

web feinstaub entsteht welche auswirkungen feinstaub auf den menschen hat und welche maßnahmen zur vermeidung bzw zur reduzierung des feinstaubaufkommens sinnvoll

*feinstaub und stickstoffdioxid wirkung quellen lu copy* - Dec 26 2021

web wirkung quellen gesundheitliche wirkungen von feinstaub und feinstaub und stickstoffdioxid feinstaub stickoxide sind auch giftstoffe dabei kurzfassung zum

**wie gefährlich sind stickstoffdioxid und feinstaub** - Feb 08 2023

web stickstoffoxid ist eine sammelbezeichnung für verschiedene gasförmige verbindungen die aus den atomen stickstoff n und sauerstoff o aufgebaut sind vereinfacht werden

**feinstaub und stickstoffdioxid wirkung quellen** - Mar 29 2022

web jun 13 2023 bordering to the pronouncement as skillfully as acuteness of this feinstaub und stickstoffdioxid wirkung quellen lu can be taken as without difficulty as picked to

**stickstoffoxide umweltbundesamt** - Dec 06 2022

web zu den natürlichen quellen von feinstaub gehören vulkanausbrüche waldbrände die aufwirbelung von erdkrustenmaterial wie beispielsweise bei sandstürmen

*feinstaub und stickstoffdioxid wirkung quellen lu pdf uniport edu* - May 31 2022

web feinstaub und stickstoffdioxid wirkung quellen lu 1 qualitative und quantitative bestimmung von rußaerosolen und anderen feinstäuben auf basis der raman

feinstaub und stickstoffdioxid wirkung quellen - Oct 24 2021

**feinstaub und stickstoffdioxid wirkung quellen lu** - Jul 01 2022

web vielzahl von anthropogenen geogenen und biogenen quellen und prozessen gebildet wird herkunft und wirkung der stickstoffdioxid und feinstaubbelastung 3 gesundheitliche

*feinstaub und stickstoffdioxid wirkung quellen lu* - Feb 25 2022

web feinstaub in chemie schülerlexikon lernhelfer feinstaub und stickstoffdioxid wirkung quellen wie schädlich die luftverschmutzung wirklich ist fakten feinstaub und

*die gefährlichsten luftschadstoffe dw 04 11 2019* - Sep 03 2022

web apr 28 2023 feinstaub und stickstoffdioxid wirkung quellen lu 2 10 downloaded from uniport edu ng on april 28 2023 by guest petrodiesel fuels ozcan konur 2021 05 06

*getting started with the online dental decks mypthub* - Feb 23 2023

web video tutorial on how to get started on magic online for complete guide for getting started on magic online for in magic online and building the deck dental decks part 1 pdf free download full online file 13 80mb dental decks part 1 pdf free download full online scanning for dental decks part 1 pdf free download do you really need this book of

*getting started with the online dental decks pdf carrie gress* - Jun 27 2023

web jun 26 2023 getting started with the online dental decks pdf is available in our book collection an online access to it is set as public so you can get it instantly our digital library saves in multiple locations allowing you to get the most less latency time to download any of our books like this one

*getting started with the online dental decks osho full pdf* - Jul 28 2023

web getting started with the online dental decks as recognized adventure as skillfully as experience just about lesson amusement as competently as treaty can be gotten by just checking out a book getting started with the online dental decks along with it is not directly done you could receive even more

**getting started with the online dental decks pdf** - May 14 2022

web getting started with the online dental decks 1 getting started with the online dental decks getting started in online investing the accidental instructional designer r for data science getting started online fast getting started in health research getting started as a financial planner the new internet navigator getting started with openshift

**getting started with the online dental decks pdf 2023** - Jan 10 2022

web getting started with the online dental decks pdf is available in our digital library an online access to it is set as public so you can get it instantly our digital library hosts in multiple locations allowing you to get the most less latency time to download any of our books like this one

*getting started with the online dental decks liululu* - Apr 13 2022

web getting started with the online dental decks start getting more and more decks and booster packs video tutorial on how to get started on magic online for complete guide for getting started on magic online for in magic online and building the deck getting started with magic online for 20 and finally sell our prizes back using bots to further

**us government shutdown what is it and who would be affected** - Feb 11 2022

web sep 21 2023 reuters september 28 2023 11 31 am pdt updated 6 hours ago sept 28 reuters u s government services would be disrupted and hundreds of thousands of federal workers would be furloughed without

**dentidesk cloud based dental software for dental practices** - Dec 21 2022

web dentidesk helps you manage and organize in an easy simple and safe way all the clinical and financial information of your dental practice request a demo 1 407 639 0505

*getting started with the online dental decks* - Aug 17 2022

web getting started with magic online for 20 magictcg getting started on magic online for 20 2016 edition getting started with trello getting started with trello passing the nbde part i educational resource for dental get started with your united concordia dental coverage benefitdeck sample employee benefits plan get started with your

getting started with the online dental decks secure4 khronos - Apr 25 2023

web jun 27 2023 getting started with the online dental decks it is totally plain then currently we extend the associate to buy and create bargains to fetch and set up getting started with the online dental decks therefore simple you could buy manual getting started with the online dental decks or get it as soon as possible

**getting started with the online dental decks** - Nov 20 2022

web aug 13 2023 getting players started amazon com dental decks amazon com online shopping for just took nbde part 1 and let me tell you student getting started on magic online for 20 2016 edition nbde materials dentistry forums guides to get started with hearthstone icy veins sharepoint online get started with sharepoint online dental

**best dental courses certifications 2023 coursera online** - Jan 22 2023

web in summary here are 10 of our most popular dental courses introduction to dental medicine university of pennsylvania the oral cavity portal to health and disease university of pennsylvania implant dentistry the university of hong kong dentistry 101 university of michigan

**amazon com dental decks** - Mar 12 2022

web paperback 6440 list 69 99 free delivery aug 17 18 only 15 left in stock order soon more buying choices 28 16 44 used new offers

**getting started with the online dental decks** - Sep 18 2022

web starcitygames com getting started with magic online nbde materials dentistry forums getting started on magic online for

20 tutorial youtube getting started with magic online for 20 magictcg dental hygiene decks promo code 2018 coupons 2014 sweet ce promotions oakstone dental hygiene decks promo code 2018 coupons 2014

*getting started with the online dental decks patricia marx pdf* - Jul 16 2022

web board dental examination nbde including anatomic sciences biochemistry and physiology microbiology and pathology and dental anatomy and occlusion this complete exam review features an easy to use outline format that mirrors the topic progression of the nbde plus it s loaded with informative examples and

*getting started with the online dental decks mypthub* - Mar 24 2023

web getting started with the online dental decks books that will find the money for you worth receive the unquestionably best seller from us nowfrom numerous favored authors we settle for you this right as adeptly as plain pretension to fetch those all getting started with the online dental decks klongkhan - Jun 15 2022

web jun 10 2023 merely said the getting started with the online dental decks is widely congruent with any devices to read acknowledgment for retrieving getting started with the online dental decks you can acquire it while function grandiosity at residence and even in your job site in certain scenarios you also succeed not explore

*dental decks* - Aug 29 2023

web dental decks are available in a variety of formats to match your style of exam prep product options include online access printed q a cards and a mobile app coming soon guaranteed the dental decks q a system is a proven and effective method to study for and pass the dental board exam

**getting started with the online dental decks download only** - May 26 2023

web aug 5 2023 declaration getting started with the online dental decks can be one of the options to accompany you following having other time it will not waste your time take me the e book will unconditionally melody you further event to read just invest little mature to get into this on line statement getting started with the online dental decks as

**new edition dental decks part 1 board book 1 may 2015** - Oct 19 2022

web may 1 2015 the 2013 2014 edition of dental decks part i consists of approximately 1 330 comprehensive flashcards they are organized to review the following topics anatomic sciences microbiology pathology biochemistry physiology dental anatomy occlusion ethics patient management the booklet comes with the flashcards and