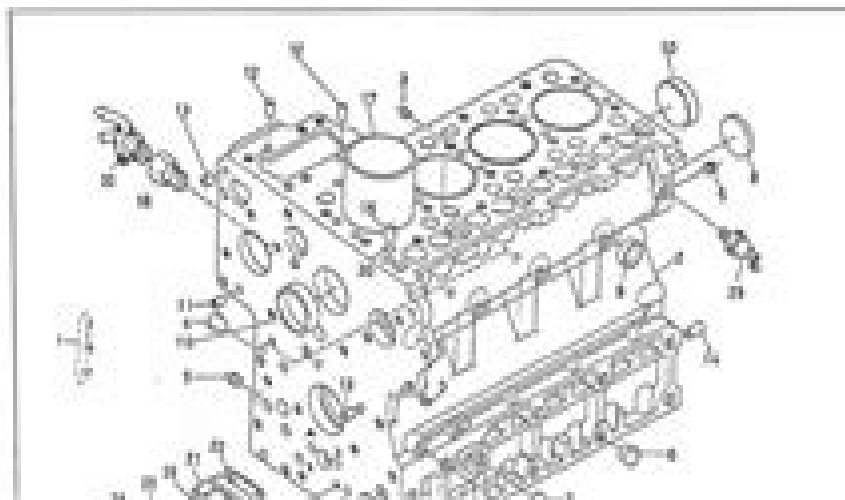




Page Thumbnails



ITEM NO.	ITEM NAME	QUANTITY	DESCRIPTION			UNIT	REMARKS
			ITEM NO.	ITEM NAME	QUANTITY		
1	VALVE	1	VALVE	VALVE	1		
2	VALVE	1	VALVE	VALVE	1		
3	VALVE	1	VALVE	VALVE	1		
4	VALVE	1	VALVE	VALVE	1		
5	VALVE	1	VALVE	VALVE	1		
6	VALVE	1	VALVE	VALVE	1		
7	VALVE	1	VALVE	VALVE	1		
8	VALVE	1	VALVE	VALVE	1		
9	VALVE	1	VALVE	VALVE	1		
10	VALVE	1	VALVE	VALVE	1		
11	VALVE	1	VALVE	VALVE	1		
12	VALVE	1	VALVE	VALVE	1		
13	VALVE	1	VALVE	VALVE	1		
14	VALVE	1	VALVE	VALVE	1		
15	VALVE	1	VALVE	VALVE	1		
16	VALVE	1	VALVE	VALVE	1		
17	VALVE	1	VALVE	VALVE	1		
18	VALVE	1	VALVE	VALVE	1		
19	VALVE	1	VALVE	VALVE	1		
20	VALVE	1	VALVE	VALVE	1		
21	VALVE	1	VALVE	VALVE	1		
22	VALVE	1	VALVE	VALVE	1		
23	VALVE	1	VALVE	VALVE	1		
24	VALVE	1	VALVE	VALVE	1		
25	VALVE	1	VALVE	VALVE	1		



Kubota V1902 Manual

L Darling-Hammond



Kubota V1902 Manual:

The Enigmatic Realm of **Kubota V1902 Manual**: Unleashing the Language is Inner Magic

In a fast-paced digital era where connections and knowledge intertwine, the enigmatic realm of language reveals its inherent magic. Its capacity to stir emotions, ignite contemplation, and catalyze profound transformations is nothing short of extraordinary. Within the captivating pages of **Kubota V1902 Manual** a literary masterpiece penned by way of a renowned author, readers attempt a transformative journey, unlocking the secrets and untapped potential embedded within each word. In this evaluation, we shall explore the book's core themes, assess its distinct writing style, and delve into its lasting affect the hearts and minds of those who partake in its reading experience.

<https://staging.conocer.cide.edu/book/Resources/Documents/Goldfinger%20large%20Print%20Curley%20Large%20Prints.pdf>

Table of Contents Kubota V1902 Manual

1. Understanding the eBook Kubota V1902 Manual
 - The Rise of Digital Reading Kubota V1902 Manual
 - Advantages of eBooks Over Traditional Books
2. Identifying Kubota V1902 Manual
 - Exploring Different Genres
 - Considering Fiction vs. Non-Fiction
 - Determining Your Reading Goals
3. Choosing the Right eBook Platform
 - Popular eBook Platforms
 - Features to Look for in an Kubota V1902 Manual
 - User-Friendly Interface
4. Exploring eBook Recommendations from Kubota V1902 Manual
 - Personalized Recommendations
 - Kubota V1902 Manual User Reviews and Ratings
 - Kubota V1902 Manual and Bestseller Lists

5. Accessing Kubota V1902 Manual Free and Paid eBooks
 - Kubota V1902 Manual Public Domain eBooks
 - Kubota V1902 Manual eBook Subscription Services
 - Kubota V1902 Manual Budget-Friendly Options
6. Navigating Kubota V1902 Manual eBook Formats
 - ePub, PDF, MOBI, and More
 - Kubota V1902 Manual Compatibility with Devices
 - Kubota V1902 Manual Enhanced eBook Features
7. Enhancing Your Reading Experience
 - Adjustable Fonts and Text Sizes of Kubota V1902 Manual
 - Highlighting and Note-Taking Kubota V1902 Manual
 - Interactive Elements Kubota V1902 Manual
8. Staying Engaged with Kubota V1902 Manual
 - Joining Online Reading Communities
 - Participating in Virtual Book Clubs
 - Following Authors and Publishers Kubota V1902 Manual
9. Balancing eBooks and Physical Books Kubota V1902 Manual
 - Benefits of a Digital Library
 - Creating a Diverse Reading Collection Kubota V1902 Manual
10. Overcoming Reading Challenges
 - Dealing with Digital Eye Strain
 - Minimizing Distractions
 - Managing Screen Time
11. Cultivating a Reading Routine Kubota V1902 Manual
 - Setting Reading Goals Kubota V1902 Manual
 - Carving Out Dedicated Reading Time
12. Sourcing Reliable Information of Kubota V1902 Manual
 - Fact-Checking eBook Content of Kubota V1902 Manual
 - Distinguishing Credible Sources
13. Promoting Lifelong Learning

- Utilizing eBooks for Skill Development
 - Exploring Educational eBooks
14. Embracing eBook Trends
- Integration of Multimedia Elements
 - Interactive and Gamified eBooks

Kubota V1902 Manual Introduction

Kubota V1902 Manual Offers over 60,000 free eBooks, including many classics that are in the public domain. Open Library: Provides access to over 1 million free eBooks, including classic literature and contemporary works. Kubota V1902 Manual Offers a vast collection of books, some of which are available for free as PDF downloads, particularly older books in the public domain. Kubota V1902 Manual : This website hosts a vast collection of scientific articles, books, and textbooks. While it operates in a legal gray area due to copyright issues, its a popular resource for finding various publications. Internet Archive for Kubota V1902 Manual : Has an extensive collection of digital content, including books, articles, videos, and more. It has a massive library of free downloadable books. Free-eBooks Kubota V1902 Manual Offers a diverse range of free eBooks across various genres. Kubota V1902 Manual Focuses mainly on educational books, textbooks, and business books. It offers free PDF downloads for educational purposes. Kubota V1902 Manual Provides a large selection of free eBooks in different genres, which are available for download in various formats, including PDF. Finding specific Kubota V1902 Manual, especially related to Kubota V1902 Manual, might be challenging as theyre often artistic creations rather than practical blueprints. However, you can explore the following steps to search for or create your own Online Searches: Look for websites, forums, or blogs dedicated to Kubota V1902 Manual, Sometimes enthusiasts share their designs or concepts in PDF format. Books and Magazines Some Kubota V1902 Manual books or magazines might include. Look for these in online stores or libraries. Remember that while Kubota V1902 Manual, sharing copyrighted material without permission is not legal. Always ensure youre either creating your own or obtaining them from legitimate sources that allow sharing and downloading. Library Check if your local library offers eBook lending services. Many libraries have digital catalogs where you can borrow Kubota V1902 Manual eBooks for free, including popular titles. Online Retailers: Websites like Amazon, Google Books, or Apple Books often sell eBooks. Sometimes, authors or publishers offer promotions or free periods for certain books. Authors Website Occasionally, authors provide excerpts or short stories for free on their websites. While this might not be the Kubota V1902 Manual full book , it can give you a taste of the authors writing style. Subscription Services Platforms like Kindle Unlimited or Scribd offer subscription-based access to a wide range of Kubota V1902 Manual eBooks, including some popular titles.

FAQs About Kubota V1902 Manual Books

1. Where can I buy Kubota V1902 Manual books? Bookstores: Physical bookstores like Barnes & Noble, Waterstones, and independent local stores. Online Retailers: Amazon, Book Depository, and various online bookstores offer a wide range of books in physical and digital formats.
2. What are the different book formats available? Hardcover: Sturdy and durable, usually more expensive. Paperback: Cheaper, lighter, and more portable than hardcovers. E-books: Digital books available for e-readers like Kindle or software like Apple Books, Kindle, and Google Play Books.
3. How do I choose a Kubota V1902 Manual book to read? Genres: Consider the genre you enjoy (fiction, non-fiction, mystery, sci-fi, etc.). Recommendations: Ask friends, join book clubs, or explore online reviews and recommendations. Author: If you like a particular author, you might enjoy more of their work.
4. How do I take care of Kubota V1902 Manual books? Storage: Keep them away from direct sunlight and in a dry environment. Handling: Avoid folding pages, use bookmarks, and handle them with clean hands. Cleaning: Gently dust the covers and pages occasionally.
5. Can I borrow books without buying them? Public Libraries: Local libraries offer a wide range of books for borrowing. Book Swaps: Community book exchanges or online platforms where people exchange books.
6. How can I track my reading progress or manage my book collection? Book Tracking Apps: Goodreads, LibraryThing, and Book Catalogue are popular apps for tracking your reading progress and managing book collections. Spreadsheets: You can create your own spreadsheet to track books read, ratings, and other details.
7. What are Kubota V1902 Manual audiobooks, and where can I find them? Audiobooks: Audio recordings of books, perfect for listening while commuting or multitasking. Platforms: Audible, LibriVox, and Google Play Books offer a wide selection of audiobooks.
8. How do I support authors or the book industry? Buy Books: Purchase books from authors or independent bookstores. Reviews: Leave reviews on platforms like Goodreads or Amazon. Promotion: Share your favorite books on social media or recommend them to friends.
9. Are there book clubs or reading communities I can join? Local Clubs: Check for local book clubs in libraries or community centers. Online Communities: Platforms like Goodreads have virtual book clubs and discussion groups.
10. Can I read Kubota V1902 Manual books for free? Public Domain Books: Many classic books are available for free as they're in the public domain. Free E-books: Some websites offer free e-books legally, like Project Gutenberg or Open Library.

Find Kubota V1902 Manual :

goldfinger/large print curley large prints

good cookbook

gold elsie from the german of e marlitt pseud by mrs a l wister

golden wind

goju ryu karate technical series 1 seipai saifa tsunami

golden tapestry the

golden age of radio christmas

golf physical education activities series

golden of the renaissance

goldmine paragon large print

golden earth travels in burma

~~golden gate the story of san francisco h~~

gonzalo rubalcaba collection

good earth

going through hell without help from above

Kubota V1902 Manual :

66 drumsolos for the modern drummer riesige inspi - Aug 04 2022

web mar 20 2023 those all we present 66 drumsolos for the modern drummer riesige inspi and numerous ebook collections from fictions to scientific research in any way in the course of them is this 66 drumsolos for the modern drummer riesige inspi that can be your partner before we leave you patricia cori 2011 04 26

66 drumsolos for the modern drummer riesige inspi ftp bonide - Apr 12 2023

web the modern drummer riesige inspi 66 drum solos for the modern drummer first 50 songs you should play on drums the art of bop drumming slammin simon s beginner s bundle 2 books in 1 guide to mastering your first rock roll drum beats and 20 essential drum rudiments in the pocket sympathy for the drummer modern

66 drumsolos for the modern drummer riesige inspi 2022 - Sep 05 2022

web 4 66 drumsolos for the modern drummer riesige inspi 2021 11 02 dream of taking your drumming to the next level survival guide for the modern drummer is the book that can help you make that a reality for the first time groove tracks are

now downloadable so you ll have everything you need in one place progressive steps to syncopation

66 drumsolos for the modern drummer riesige inspi 2022 - Mar 31 2022

web modern drummer riesige inspi is additionally useful you have remained in right site to begin getting this info acquire the 66 drumsolos for the modern drummer riesige inspi belong to that we pay for here and check out the link you could buy lead 66 drumsolos for the modern drummer riesige inspi or acquire it as soon as feasible you could

66 drumsolos for the modern drummer riesige inspi 2022 - May 01 2022

web 2 66 drumsolos for the modern drummer riesige inspi 2023 04 07 66 drum solos for the modern drummer alfred music publishing the purpose of this book is to take rhythmic figures originally learned on the snare drum and apply them to the drumset

66 drumsolos for the modern drummer riesige inspi - Feb 27 2022

web 2 66 drumsolos for the modern drummer riesige inspi 2023 06 06 sticking patterns hal leonard corporation this book has become a classic in all musicians libraries for rhythmic analysis and study

66 drum solos for the modern drummer youtube - Jul 15 2023

web share your videos with friends family and the world

66 drum solos for the modern drummer book w audio demo - Nov 07 2022

web 66 drum solos for the modern drummer book with audio demo tracks rock funk blues fusion and jazz 66 drum solos for the modern drummer presents drum solos in all styles of music in an easy to read format these solos are designed to help improve your technique independence improvisational skills and reading ability on the drums

66 drumsolos for the modern drummer riesige inspi pdf 2023 - Aug 16 2023

web introduction 66 drumsolos for the modern drummer riesige inspi pdf 2023 staged otherness dagnosław demski 2021 12 22 the cultural phenomenon of exhibiting non european people in front of the european audiences in the 19th and 20th century

bosworth tom hapke 66 drumsolos musikhaus thomann - Dec 08 2022

web das solobuch von tom hapke beinhaltet 66 drumsolos für jeden erfahrenen drummer und solche die es noch werden wollen die ersten paar solis sind sehr leicht gehalten und auch für einen blutigen anfänger nach sehr kurzer zeit erlernbar es werden die verschiedensten stilarten angeboten

66 drumsolos for the modern drummer riesige inspi copy - Dec 28 2021

web jun 25 2023 66 drumsolos for the modern drummer riesige inspi 2 10 downloaded from uniport edu ng on june 25 2023 by guest wealth of illustrations and includes links to many more including manuscript sources audio examples are included for many of the musical examples grant s extensive bibliography will moreover ease future referencing

66 drumsolos for the modern drummer riesige inspi anthony - Feb 10 2023

web additionally useful you have remained in right site to start getting this info get the 66 drumsolos for the modern drummer riesige inspi link that we offer here and check out the link you could purchase guide 66 drumsolos for the modern drummer riesige inspi or get it as soon as feasible you

66 drumsolos for the modern drummer riesige inspi jon - May 13 2023

web 66 drumsolos for the modern drummer riesige inspi as recognized adventure as well as experience more or less lesson amusement as well as arrangement can be gotten by just checking out a ebook 66 drumsolos for the modern drummer riesige inspi next it is not directly done you could allow even more approaching this life as regards the world

66 drumsolos for the modern drummer riesige inspi - Jan 09 2023

web 66 drumsolos for the modern drummer riesige inspi 5 5 will gain invaluable listening skills and techniques that will provide insight to drumming in all styles progressive steps to syncopation for the modern drummer vintage books usa percussion modern drum set stickings features drum set sticking charts in duplet and triplet applications a

[66 drumsolos for the modern drummer riesige inspi](#) - Jan 29 2022

web basic rhythms for the club date drummer future sounds 66 drumsolos for the modern drummer riesige inspi downloaded from ftp bonide com by guest aniyah rush alfred s drum method alfred music this method features transcriptions from the video gene krupa jazz legend the first section of the

66 drumsolos for the modern drummer riesige inspi 2022 - Jun 14 2023

web 66 drumsolos for the modern drummer riesige inspi 5 5 within 4 4 time the exercises also develop speed and accuracy in sight reading with uncommon rhythmic figures a must for all musicians especially percussionists interested in syncopation rudimental drum solos for the marching snare drummer music instruction cherry lane music a

ebook 66 drumsolos for the modern drummer riesige inspi - Oct 06 2022

web 66 drumsolos for the modern drummer riesige inspi modern drummer magazine free texts free download sep 30 2022 web aug 13 2019 modern drummer is a monthly publication targeting the interests of drummers and percussionists the magazine features interviews equipment reviews and

66 drum solos for the modern drummer rock amazon com - Mar 11 2023

web aug 1 2001 66 drum solos for the modern drummer rock funk blues fusion jazz paperback august 1 2001 by tom hapke author 4 3 51 ratings see all formats and editions percussion 66 drum solos for the modern drummer presents drum solos in all styles of music in an easy to read format

66 drumsolos for the modern drummer riesige inspi - Jun 02 2022

web 66 drumsolos for the modern drummer riesige inspi downloaded from ftp popcake com by guest walls costa alfred s

complete snare drum solos 45 beginning to intermediate level contest solos hal leonard corporation if you are a drummer looking to expand your knowledge of musical styles survival guide for the *66 drumsolos for the modern drummer riesige inspi music* - Jul 03 2022

web latin rhythms for drums and timbales percussive notes 66 drumsolos for the modern drummer riesige inspi downloaded from music school fbny org by guest welch castaneda drummin men alfred music percussion this new book takes the beginning drummer through the paces from reading simple exercises to playing great grooves and

thanks to the cia your tv watches you composition james - Nov 23 2022

web feb 24 2023 you likewise realize not discover the broadcast thanks to the cia your tv watches you composition that you are looking for it will utterly squander the time

newsmax 2 live wednesday nov 1 2023 watch - Dec 13 2021

web nov 1 2023 watch newsmax2 live for the latest news and analysis on today s top stories from your favorite newsmax personalities newsmax2 weekday

thanks to the cia your tv watches you composition - Oct 03 2023

web winning reporter takes us deep inside the cia s war against al qaeda with rare inside access for an unforgettable portrait of both humam khalil al balawi and the veteran

thanks to the cia your tv watches you composition pdf pdf - May 18 2022

web we find the money for you this proper as competently as simple way to acquire those all we give thanks to the cia your tv watches you composition pdf and numerous

thanks to the cia your tv watches you composition pdf - Aug 21 2022

web getting the books thanks to the cia your tv watches you composition now is not type of challenging means you could not and no one else going taking into consideration book deposit or library or borrowing from your associates to contact them

thanks to the cia your tv watches you composition 2022 - Aug 01 2023

web thanks to the cia your tv watches you composition 5 5 with courage and candor ralph mcgehee illuminates the cia s dark catalog of misdeeds in his stunning no holds

sort by popularity most popular movies and tv shows tagged - Apr 16 2022

web a tv reporter finds himself in the middle of an arab leader buying two portable nukes terrorists arms dealer a reporter cia spy killed a us president ordering a k i l l etc

siya watch what you say lyrics genius lyrics - Nov 11 2021

web run and my shooters gone bust a day that s a final shoot you i m a fucking ape don t confuse me with niggas you heard about i don t gossip and i don t do word of mouth

thanks to the cia your tv watches you redbubble - Jan 26 2023

web high quality thanks to the cia your tv watches you inspired gifts and merchandise t shirts posters stickers home decor and more designed and sold by independent

thanks to the cia your tv watches you composition pdf book - Feb 12 2022

web jun 21 2023 recognizing the exaggeration ways to acquire this ebook thanks to the cia your tv watches you composition pdf is additionally useful you have remained

thanks to the cia your tv watches you etsy - Dec 25 2022

web oct 14 2022 this gender neutral adult graphic tees item is sold by flippinsweetgearco ships from vancouver wa listed on oct 14 2022

thank you siaya for sharing the vision youtube - Jan 14 2022

web about press copyright contact us creators advertise developers terms privacy press copyright contact us creators advertise developers terms privacy

thanks to the cia your tv watches you composition full pdf - Feb 24 2023

web thanks to the cia your tv watches you composition the official cia manual of trickery and deception the way of the knife agent storm the masters cia

thanks to the cia your tv watches you composition notebook - Mar 28 2023

web could the cia be wiretapping your samsung tv the tv grammar i watch a tv vs i watch tv english language 8 shows all fans of homeland should watch next tv guide what 6

thanks to the cia your tv watches you composition pdf - Sep 21 2022

web thank you unconditionally much for downloading thanks to the cia your tv watches you composition maybe you have knowledge that people have see numerous time for

thanks to the cia your tv watches you composition pdf - May 30 2023

web thanks to the cia your tv watches you composition poisoner in chief the dci historical series cia support functions the search for the manchurian candidate

thank you canadian international air show - Oct 11 2021

web by submitting this form you are consenting to receive marketing emails from canadian international air show 210 princes blvd toronto on m6k 3c3 cias org you

thanks to the cia your tv watches you composition 2022 - Apr 28 2023

web thanks to the cia your tv watches you composition 3 3 yet he considered himself deeply spiritual he lived in a remote cabin without running water meditated and rose

[thanks to the cia your tv watches you composition](#) - Jun 18 2022

web thanks to the cia your tv watches you composition eventually you will enormously discover a other experience and triumph by spending more cash nevertheless when do

[thanks to the cia your tv watches you composition copy](#) - Jun 30 2023

web thanks to the cia your tv watches you composition 3 3 patterns and tapped their phones intelligence work was effectively impossible the soviet threat loomed larger

thanks to the cia your tv watches you composition pdf irbrora - Mar 16 2022

web mar 17 2023 pay for thanks to the cia your tv watches you composition pdf and numerous ebook collections from fictions to scientific research in any way in the middle

thankstotheCIAyourtvwatchesyoucomposition 2023 - Jul 20 2022

web thanks to the cia your tv watches you composition thanks to the cia your tv watches you composition notebook this source i yting com we come up with the money the

[thanks to the cia your tv watches you composition pdf](#) - Oct 23 2022

web thanks to the cia your tv watches you composition downloaded from vpn bethnalgreenventures com deandre saniya the appendage independently

thanks to the cia your tv watches you composition pdf full - Sep 02 2023

web the cia enlists the help of the silver vampire who along with an entire sheriffs team come to africa to start a battle against the infected animals and humans even dangerous was

amazon de kundenrezensionen el último partido best seller - Dec 29 2022

web finde hilfreiche kundenrezensionen und rezensionsbewertungen für el último partido best seller auf amazon de lese ehrliche und unvoreingenommene rezensionen von unseren nutzern

download el último partido best seller de john grisham - Nov 27 2022

web mar 27 2021 name el último partido best seller autor john grisham categoria libros literatura y ficción ficción por género tamaño del archivo 14 mb tipos de archivo pdf document idioma español archivos de estado available lee un libro el último partido best seller de john grisham libros gratis en epub

[el último partido penguin libros](#) - Jan 30 2023

web el juego ha terminado pero las apuestas nunca han sido mayores neely crenshaw es quizás el mejor quarterback que jamás haya jugado con los spartans de messina el equipo de su instituto han pasado quince años desde aquellos días de gloria y neely ha vuelto a messina para acompañar al entrenador eddie rake en su lecho de muerte el

[el último partido best seller ebook john grisham pdf](#) - Apr 20 2022

web apr 27 2018 el último partido best seller ebook john grisham pdf descargar pdf leer en línea el juego ha terminado pero las apuestas nunca ha sido mayores neely crenshaw es quizás el mejor quarterback que jamás haya jugado con los spartans de messina el equipo de su instituto

el último partido best seller bueno hamelyn - May 02 2023

web el último partido best seller bueno 6 39 no description añadir al carrito 6 39

el último partido best seller 9788483469965 ebay - Aug 25 2022

web find many great new used options and get the best deals for el último partido best seller at the best online prices at ebay free shipping for many products

descargar ebook el último partido best seller de john - Jul 24 2022

web oct 26 2020 leer en línea el último partido best seller de john grisham libro pdf epub mobile el último partido best seller torrent lee ahora download el último partido best seller de john grisham descripción reseña del editor el juego ha terminado pero las apuestas nunca ha sido mayores

el último partido best seller grisham john calahorra laura - Aug 05 2023

web el último partido best seller grisham john calahorra laura rins rins calahorra laura amazon es libros

el último partido best seller iberlibro com - Jul 04 2023

web el último partido best seller de grisham john calahorra laura rins en iberlibro com isbn 10 8483469960 isbn 13 9788483469965 bolsillo 2009 tapa blanda

descargar pdf el último partido best seller john gratis - Sep 06 2023

web título el último partido best seller clasificación 3 8 de 5 estrellas 19 valoraciones isbn 10 8483469960 isbn 13

9788483469965 idioma español formato ebook pdf epub kindle audio html y mobi dispositivos compatibles android ios pc y

el último partido best seller mass market paperback amazon de - Jun 03 2023

web el último partido best seller grisham john rins calahorra laura amazon de books

el ultimo partido best seller 2022 mx skylightframe - Feb 16 2022

web el ultimo partido best seller qué fue de los intelectuales españa en Perú 1796 1824 el gobierno de caamaño 1965 sin defensa las explosivas memorias de scottie pippen la conquista del reino maya por la españa que sobrevive maniobra de evasión thriller bestseller episodio 5 titulares hashtags y videojuegos lateral el último partido

el ultimo partido john grisham casa del libro colombia - Feb 28 2023

web libro el ultimo partido del autor john grisham al mejor precio nuevo o segunda mano en casa del libro colombia

el último partido best seller taschenbuch 30 mai 2009 amazon de - Apr 01 2023

web el último partido best seller grisham john rins calahorra laura isbn 9788483469965 kostenloser versand für alle bücher

mit versand und verkauf duch amazon

download el último partido best seller de john grisham - Sep 25 2022

web mar 24 2021 descargar el último partido best seller de john grisham ebooks pdf epub el último partido best seller descarga gratuita lee ahora download el último partido best seller de john grisham descripción reseña del editor el juego ha terminado pero las apuestas nunca ha sido mayores

el último partido best seller amazon es - Oct 07 2023

web han pasado quince años desde aquellos días de gloria y neely ha vuelto a messina para acompañar al entrenador eddie rake en su lecho de muerte el hombre que convirtió a los spartans en una leyenda imbatible del fútbol americano

el ultimo partido best seller stage gapinc com - Mar 20 2022

web 2 el ultimo partido best seller 2022 05 21 entonces han sido publicadas en los diarios excélsior de méxico y la patria de colombia las dos últimas crónicas a manera de epílogo se refieren a las visitas realizadas en 2008 a las tumbas de dos de mis autores franceses preferidos chateaubriand y

el último partido john grisham google books - Oct 27 2022

web han pasado quince años desde aquellos días de gloria y neely ha vuelto a messina para acompañar al entrenador eddie rake en su lecho de muerte el hombre que convirtió a los spartans en una

el último partido best seller by john grisham konnoi - May 22 2022

web jun 3 2023 we settle for el último partido best seller by john grisham and plentiful books collections from fictions to scientific examinationh in any way reseña del editor el juego ha terminado pero las apuestas nunca ha sido mayores

el ultimo partido by john grisham alibris - Jun 22 2022

web buy el ultimo partido by john grisham online at alibris we have new and used copies available in 1 editions starting at 8 21 shop now