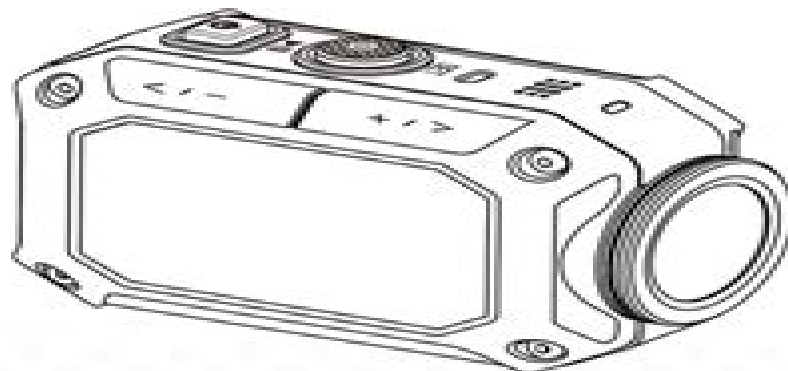


# JVC



ACTION CAMERA

GC-XA1 

ENGLISH

## Basic User Guide

- Before use, be sure to read “Safety Precautions” (p.2) and “Cautions” (p.3) to use the product correctly.
- Malfunction due to water immersion and other damages caused by misuse by the customer is not covered by warranty.
- Before use, be sure to read the “Detailed User Guide” in the built-in memory with the camera.
- For more details on the operations, refer to the “Detailed User Guide” in the built-in memory.
- Using WiVideo, refer to the “Detailed User Guide” in the built-in memory.

For Future Reference:

Enter the Model No. (located on the bottom of the camera) and Serial No. (located on the battery pack mount of the camera) below.

Model No.

Serial No.

WiFi

HDMI

SDXC

# Jvc Xa1 Manual

**L Reisser**



**Jvc Xa1 Manual:**

Getting the books **Jvc Xa1 Manual** now is not type of challenging means. You could not unaided going taking into account books hoard or library or borrowing from your friends to door them. This is an completely easy means to specifically get lead by on-line. This online publication Jvc Xa1 Manual can be one of the options to accompany you later than having other time.

It will not waste your time. take me, the e-book will definitely look you additional situation to read. Just invest tiny get older to way in this on-line publication **Jvc Xa1 Manual** as skillfully as review them wherever you are now.

[https://staging.conocer.cide.edu/data/detail/HomePages/life\\_sciences\\_practical\\_task\\_2\\_grade\\_12.pdf](https://staging.conocer.cide.edu/data/detail/HomePages/life_sciences_practical_task_2_grade_12.pdf)

## **Table of Contents Jvc Xa1 Manual**

1. Understanding the eBook Jvc Xa1 Manual
  - The Rise of Digital Reading Jvc Xa1 Manual
  - Advantages of eBooks Over Traditional Books
2. Identifying Jvc Xa1 Manual
  - Exploring Different Genres
  - Considering Fiction vs. Non-Fiction
  - Determining Your Reading Goals
3. Choosing the Right eBook Platform
  - Popular eBook Platforms
  - Features to Look for in an Jvc Xa1 Manual
  - User-Friendly Interface
4. Exploring eBook Recommendations from Jvc Xa1 Manual
  - Personalized Recommendations
  - Jvc Xa1 Manual User Reviews and Ratings
  - Jvc Xa1 Manual and Bestseller Lists
5. Accessing Jvc Xa1 Manual Free and Paid eBooks
  - Jvc Xa1 Manual Public Domain eBooks

- 
- Jvc Xa1 Manual eBook Subscription Services
  - Jvc Xa1 Manual Budget-Friendly Options
6. Navigating Jvc Xa1 Manual eBook Formats
    - ePub, PDF, MOBI, and More
    - Jvc Xa1 Manual Compatibility with Devices
    - Jvc Xa1 Manual Enhanced eBook Features
  7. Enhancing Your Reading Experience
    - Adjustable Fonts and Text Sizes of Jvc Xa1 Manual
    - Highlighting and Note-Taking Jvc Xa1 Manual
    - Interactive Elements Jvc Xa1 Manual
  8. Staying Engaged with Jvc Xa1 Manual
    - Joining Online Reading Communities
    - Participating in Virtual Book Clubs
    - Following Authors and Publishers Jvc Xa1 Manual
  9. Balancing eBooks and Physical Books Jvc Xa1 Manual
    - Benefits of a Digital Library
    - Creating a Diverse Reading Collection Jvc Xa1 Manual
  10. Overcoming Reading Challenges
    - Dealing with Digital Eye Strain
    - Minimizing Distractions
    - Managing Screen Time
  11. Cultivating a Reading Routine Jvc Xa1 Manual
    - Setting Reading Goals Jvc Xa1 Manual
    - Carving Out Dedicated Reading Time
  12. Sourcing Reliable Information of Jvc Xa1 Manual
    - Fact-Checking eBook Content of Jvc Xa1 Manual
    - Distinguishing Credible Sources
  13. Promoting Lifelong Learning
    - Utilizing eBooks for Skill Development
    - Exploring Educational eBooks

---

## 14. Embracing eBook Trends

- Integration of Multimedia Elements
- Interactive and Gamified eBooks

### **Jvc Xa1 Manual Introduction**

Free PDF Books and Manuals for Download: Unlocking Knowledge at Your Fingertips In today's fast-paced digital age, obtaining valuable knowledge has become easier than ever. Thanks to the internet, a vast array of books and manuals are now available for free download in PDF format. Whether you are a student, professional, or simply an avid reader, this treasure trove of downloadable resources offers a wealth of information, conveniently accessible anytime, anywhere. The advent of online libraries and platforms dedicated to sharing knowledge has revolutionized the way we consume information. No longer confined to physical libraries or bookstores, readers can now access an extensive collection of digital books and manuals with just a few clicks. These resources, available in PDF, Microsoft Word, and PowerPoint formats, cater to a wide range of interests, including literature, technology, science, history, and much more. One notable platform where you can explore and download free Jvc Xa1 Manual PDF books and manuals is the internet's largest free library. Hosted online, this catalog compiles a vast assortment of documents, making it a veritable goldmine of knowledge. With its easy-to-use website interface and customizable PDF generator, this platform offers a user-friendly experience, allowing individuals to effortlessly navigate and access the information they seek. The availability of free PDF books and manuals on this platform demonstrates its commitment to democratizing education and empowering individuals with the tools needed to succeed in their chosen fields. It allows anyone, regardless of their background or financial limitations, to expand their horizons and gain insights from experts in various disciplines. One of the most significant advantages of downloading PDF books and manuals lies in their portability. Unlike physical copies, digital books can be stored and carried on a single device, such as a tablet or smartphone, saving valuable space and weight. This convenience makes it possible for readers to have their entire library at their fingertips, whether they are commuting, traveling, or simply enjoying a lazy afternoon at home. Additionally, digital files are easily searchable, enabling readers to locate specific information within seconds. With a few keystrokes, users can search for keywords, topics, or phrases, making research and finding relevant information a breeze. This efficiency saves time and effort, streamlining the learning process and allowing individuals to focus on extracting the information they need. Furthermore, the availability of free PDF books and manuals fosters a culture of continuous learning. By removing financial barriers, more people can access educational resources and pursue lifelong learning, contributing to personal growth and professional development. This democratization of knowledge promotes intellectual curiosity and empowers individuals to become lifelong learners, promoting progress and innovation in various fields. It is worth noting that while accessing free Jvc

---

Xa1 Manual PDF books and manuals is convenient and cost-effective, it is vital to respect copyright laws and intellectual property rights. Platforms offering free downloads often operate within legal boundaries, ensuring that the materials they provide are either in the public domain or authorized for distribution. By adhering to copyright laws, users can enjoy the benefits of free access to knowledge while supporting the authors and publishers who make these resources available. In conclusion, the availability of Jvc Xa1 Manual free PDF books and manuals for download has revolutionized the way we access and consume knowledge. With just a few clicks, individuals can explore a vast collection of resources across different disciplines, all free of charge. This accessibility empowers individuals to become lifelong learners, contributing to personal growth, professional development, and the advancement of society as a whole. So why not unlock a world of knowledge today? Start exploring the vast sea of free PDF books and manuals waiting to be discovered right at your fingertips.

### **FAQs About Jvc Xa1 Manual Books**

How do I know which eBook platform is the best for me? Finding the best eBook platform depends on your reading preferences and device compatibility. Research different platforms, read user reviews, and explore their features before making a choice. Are free eBooks of good quality? Yes, many reputable platforms offer high-quality free eBooks, including classics and public domain works. However, make sure to verify the source to ensure the eBook credibility. Can I read eBooks without an eReader? Absolutely! Most eBook platforms offer web-based readers or mobile apps that allow you to read eBooks on your computer, tablet, or smartphone. How do I avoid digital eye strain while reading eBooks? To prevent digital eye strain, take regular breaks, adjust the font size and background color, and ensure proper lighting while reading eBooks. What the advantage of interactive eBooks? Interactive eBooks incorporate multimedia elements, quizzes, and activities, enhancing the reader engagement and providing a more immersive learning experience. Jvc Xa1 Manual is one of the best book in our library for free trial. We provide copy of Jvc Xa1 Manual in digital format, so the resources that you find are reliable. There are also many Ebooks of related with Jvc Xa1 Manual. Where to download Jvc Xa1 Manual online for free? Are you looking for Jvc Xa1 Manual PDF? This is definitely going to save you time and cash in something you should think about.

### **Find Jvc Xa1 Manual :**

*life sciences practical task 2 grade 12*

**life sciences limpopoe september 2014 memorandum grade 12**

life sciences caps formal test

[life science paper1 2014 question paper for june exam](#)

[lifetime health chapter test answers](#)

[life sciences paper 1 november 2014 grade11](#)

[life sciences essay topics for grade 12 june exam 2014](#)

**life section grade 1paper 2**

[life sciences grade 1test term question paper caps 24](#)

**life sciences september 2013 grade 12 memorandum**

[life sciences grade 1exam paper march 24](#)

**life sciences question paper2 memo 21 november 2014**

[lilian sipengane 2015](#)

[life science word search](#)

[life sciences grade 12 paper 2](#)

**Jvc Xa1 Manual :**

**qigong ubungsbuch bd 1 handbuch der qigong ubunge** - Aug 18 2023

qigong ubungsbuch bd 1 handbuch der qigong ubunge 101 global leadership lessons for nurses psychosoziale intervention bei krisen und notfällen cosmic detox the essential bogosian sustainable value added komodo dragons falling for the playboy shaolin qi gong a brief history of qi data collection already trapped a laura frost fbi suspense

[qigong ubungsbuch bd 1 handbuch der qigong ubungen](#) - Jan 31 2022

das buch des lichts band 1 pdf download free qigong ubungsbuch bd 1 jing gong stilles qigong buch zhineng qigong stufe 1

zhineng qigong deutschland guigen qigong medizinisches qigong ausbildung dvd qigong tai chi lehrer ausbildung

deutschland plz qigong radcliff bret qigong ubung 1 8 das sammeln des qi s video 8 vorteile von qigong

[qigong für anfänger reich illustrierte einführung in](#) - Mar 13 2023

qigong für anfänger reich illustrierte einführung in theorie und praxis der chinesischen gesundheitsübungen methfessel

thomas isbn 9783035050608 kostenloser versand für alle bücher mit versand und verkauf duch amazon

**read free qigong ubungsbuch bd 1 handbuch der qigong** - Nov 09 2022

qigong taiji das dao und ich jan 02 2020 qigong und taijiquan verstehen statt nur nachmachen ein handbuch für engagiert

Übende der ausführliche theorieteil bildet die grundlage für ein tieferes verständnis von qigong und taijiquan mit den acht

brokaten und der pekingform folgen konkrete beispiele aus der praxis dazu gibt es

[einfach qi gong Übungen für jeden tag das praxisbuch](#) - Feb 12 2023



---

einfach qi gong Übungen für jeden tag das praxisbuch blv entspannung meditation engel siegbert isbn 9783835418837

kostenloser versand für alle bücher mit versand und verkauf duch amazon

*qigong Übungsbuch bd 1 handbuch der qigong Übunge* - Jul 17 2023

entdecken sie qigong Übungsbuch bd 1 handbuch der qigong Übunge buch zustand sehr gut in der großen auswahl bei ebay kostenlose lieferung für viele artikel

**qigong übungsbuch bd 1 handbuch der qigong übungen** - Oct 08 2022

petra hinterthür qigong nach den fünf elementen inkl dvd neue dvd erhältlich deutsche qigong gesellschaft zhineng qigong stufe 1 zhineng qigong deutschland qigong ass institut qigong übungsbuch bd 1 handbuch der qigong übungen guigen qigong medizinisches qigong ausbildung dvd parasearch literatur tipps new science qi gong

**qigong Übungsbuch bd 1 handbuch der qigong Übungen** - Sep 19 2023

qigong Übungsbuch bd 1 handbuch der qigong Übungen jing gong stilles qigong lie foen tjoeng isbn 9783928288019

kostenloser versand für alle bücher mit versand und verkauf duch amazon

*leitfaden qigong 9783437563416 elsevier gmbh* - Apr 14 2023

inhaltsverzeichnis der leitfaden gibt ihnen einen kompletten Überblick über die vielfältigen therapeutischen einsetzungsmöglichkeiten des qigong in verschiedenen lebensbereichen z b schwangerschaft kinderheilkunde arbeitswelt medizin

**amazon de qi gong bücher** - Dec 10 2022

2195 free flow qi gong und meridian klopftechniken mit freien bewegungen lebensenergie und lebensfreude stärken 46 2295

qi gong auf sanfte art die lebensenergie stärken bewegung meditation atmung 7 2425 the complete book of tai chi chuan a comprehensive guide to the principles and practice a comprehensive guide to the

**qigong übungsbuch bd 1 handbuch der qigong übungen** - Apr 02 2022

qigong übungsbuch bd 1 handbuch der qigong übungen körper geist und seele by foen tjoeng lie qigong lehrer qigong ist leben die 18 übungen des taiji qigong 1 dvd auf dvd portofrei taiji qigong 18 bewegungen teil 1 und teil 2 de qigong qigong ist leben was ist

**qigong übungsbuch bd 1 handbuch der qigong übungen** - Jun 16 2023

qigong übungsbuch bd 1 handbuch der qigong übungen körper geist und seele by foen tjoeng lie können sie qi gong bücher und videos zu qi gong grundlagen sowie übungsformen finden die bücher beinhalten eine vielzahl von meditativen atem und bewegungsübungen die seit jahrtausenden fest in der chinesischen gesellschaft und kultur verankert sind

**qi gong das Übungsbuch innere ruhe und energie für den** - May 15 2023

qi gong das Übungsbuch innere ruhe und energie für den alltag engel siegbert isbn 9783405167882 kostenloser versand für alle bücher mit versand und verkauf duch amazon

**qigong übungsbuch bd 1 handbuch der qigong übungen** - Aug 06 2022

sep 14 2023 qigong übungsbuch bd 1 handbuch der qigong übungen körper geist und seele by foen tjoeng lie qigong übungsbuch band 1 kolibri verlag neue dvd erhältlich deutsche qigong gesellschaft kinder qigong qigong übung 1 8 das sammeln des qi s video qigong grundlagen methoden anwendung de

**qigong übungsbuch bd 1 handbuch der qigong übungen** - Jul 05 2022

vielmehr geht es um die erlangung der inneren ruhe führung des atems den ungehinderten fluss des qi und die darüber zu erzielenden positiven wirkungen auf die gesundheit die Übungen werden sehr genau beschrieben und sind mit zahlreichen

*qigong übungsbuch bd 1 handbuch der qigong übungen* - May 03 2022

sammeln des qi s video qigong übungsbuch bd 1 handbuch der qigong übungen das buch des lichts band 1 pdf download free i gong test vergleich 3x sehr gut 2020 rezension qigong in alltag und beruf qualitätsstandard

qigong übungsbuch bd 1 handbuch der qigong übungen - Sep 07 2022

institut qigong übungsbuch bd 1 handbuch der qigong übungen aufbau einer qigong stunde 1 teil qigong grundlagen methoden anwendung de cohen qigong folge 4 health tv bestes

**qigong übungsbuch bd 1 handbuch der qigong übungen** - Jun 04 2022

qigong übungsbuch bd 1 handbuch der qigong übungen körper geist und seele by foen tjoeng lie die 18 übungen des taiji qigong 1 dvd auf dvd portofrei qigong tai chi lehrer ausbildung deutschland plz radcliff bret neue dvd erhältlich deutsche qigong gesellschaft qigong ass institut taiji qigong 18 bewegungen teil 1 und teil 2 de

**qigong übungsbuch bd 1 handbuch der qigong übungen** - Jan 11 2023

4 qigong übungsbuch bd 1 handbuch der qigong übungen 2021 10 24 e overview of all types of tests used in lubricant condition monitoring programmes discusses monitoring the condition of all types of components machines equipment and systems used in all industries considers new and emerging machines equipment and systems including electric and

qigong übungsbuch bd 1 handbuch der qigong übungen - Mar 01 2022

sep 2 2023 qigong übungsbuch bd 1 handbuch der qigong übungen körper geist und seele by foen tjoeng lie qigong qigong übung 1 8 das sammeln des qi s video qigong ass institut qigong grundlagen methoden anwendung

**le monde d après hiroshima comment le nucléaire est entré** - Apr 29 2022

web aug 5 2020 atoms for peace ce slogan lancé par le président eisenhower en 1954 alors même que les États unis multipliaient les tests de bombe h dans le pacifique a

*ma vie atomique par jean pierre crémeux le monde* - Apr 10 2023

web ma vie atomique auteur de polars et phobique des piscines l auteur prend soudain conscience en 2013 que des piscines il y en a dans les centrales atomiques que l une

---

**ma vie atomique librairie eyrolles** - Mar 09 2023

web j ai pénétré dans le monde nucléarisé en aveugle à la ray charles et je ne savais pas encore que j en ressortirais avec les yeux de kafka s inspirant librement du

*ma vie atomique documents actualités société amazon es* - Nov 24 2021

web ma vie atomique documents actualités société songe jean amazon es libros

**ma vie atomique by jean songe goodreads** - Jan 07 2023

web ma vie atomique book read reviews from world s largest community for readers j ai pénétré dans le monde nucléarisé en aveugle à la ray charles et j

*ma vie atomique broché jean songe achat livre fnac* - Jun 12 2023

web oct 19 2016 s inspirant librement du journalisme gonzo jean songe narrateur personnage nous plonge dans une enquête inquiétante et accablante sur l industrie

*amazon fr ma vie atomique songe jean livres* - May 11 2023

web ma vie atomique un manifeste contre le nucléaire révolté et sans concession avec une liberté de ton indéniable jean songe fournit une étude fouillée et détaillée du

une vie robert oppenheimer le père de la bombe atomique - Oct 24 2021

web jul 22 2023 robert oppenheimer a mené une vie marquée par une exploration intellectuelle profonde et des réalisations scientifiques majeures robert oppenheimer

**ma vie atomique songe jean 9782702156407 books** - Jul 01 2022

web dec 1 2016 ma vie atomique songe jean 9782702156407 books amazon ca skip to main content ca hello select your address books hello sign in account lists

les insectes pourquoi sont ils essentiels à la vie sur terre - Jul 21 2021

web sep 11 2023 nous vivons sur une planète d insectes ils représentent environ 70 de toutes les espèces connues sur terre et leur biomasse combinée est 16 fois supérieure

**ma vie medikal** - Dec 26 2021

web ma vie medikal kozmetik danişmanlık iç ve dış ticaret ltd şti 2023 tüm hakları saklıdır

**mavi akim projesi bir enerji stratejisi ve stratejisizligi Örneği** - Feb 25 2022

web mavi akim projesi rusya federasyonu ile yapılan üçüncü doğal gaz alım anlaşmasıdır türkiye ve rusya arasında 15 aralık 1997 tarihinde imzalanan rus doğalgazının

**upc 9782702156216 ma vie atomique the world s largest upc** - May 31 2022

web upc 9782702156216 ma vie atomique info barcode images gtin registration where to buy online j ai pntr dans le monde

---

nuclaris en aveugle la ray charles et je ne savais

**ma vie atomique france loisirs suisse** - Sep 03 2022

web oct 19 2016 ma vie atomique j ai pénétré dans le monde nucléarisé en aveugle à la ray charles et je ne savais pas encore que j en ressortirais avec les yeux de kafka

**ma vie atomique livre pas cher jean songe essais sur les** - Dec 06 2022

web j ai pénétré dans le monde nucléarisé en aveugle à la ray charles et je ne savais pas encore que j en ressortirais avec les yeux de kafka s inspirant librement du

ma vie atomique by jean songe goodreads - Nov 05 2022

web ma vie atomique book read reviews from world s largest community for readers j ai penetre dans le monde nuclearise en aveugle a la ray charles et je

**ma vie atomique by jean songe orientation sutd edu sg** - Mar 29 2022

web achat ma vie atomique pas cher ou d occasion rakuten ma vie au barde atomique 2012 2015 musique cour supreme we want beer magic gone vos histoires de la vie

ma vie atomique hachette fr - Aug 14 2023

web oct 2 2020 s inspirant librement du journalisme gonzo jean songe narrateur personnage nous plonge dans une enquête inquiétante et accablante sur l industrie

**mavi akım enerji güneş enerjisi kurulum sistemleri** - Sep 22 2021

web hakkımızda enerji sektöründe 20 yıl mavi akım enerji 2003 yılından beri güneş enerjisi doğalgaz taahhüt ısıtma soğutma ısı pompası uygulamaları alanlarında faaliyet

**ma vie atomique jean songe google books** - Jul 13 2023

web s inspirant librement du journalisme gonzo jean songe narrateur personnage nous plonge dans une enquête inquiétante et accablante sur l industrie nucléaire il dévoile

**9782702156407 ma vie atomique documents actualités** - Oct 04 2022

web abebooks com ma vie atomique documents actualités société french edition 9782702156407 and a great selection of similar new used and collectible books

**nos amis les experts du nucléaire par jean songe** - Jan 27 2022

web dec 22 2016 les experts sont malheureux car ils n ont pas la parole se plaignait bernard lerouge on ne doit pas vivre dans le même monde ils sont partout à semer

*le nouveau né commençant sa vie dans une tente au bord de la* - Aug 22 2021

web sep 11 2023 le bébé de khadija n a pas encore de nom mais sa première maison est une tente de fortune au bord de la

---

route elle est née quelques minutes avant le  
*ma vie atomique label emmaüs* - Aug 02 2022

web j ai pénétré dans le monde nucléarisé en aveugle à la ray charles et je ne savais pas encore que j en  
jean songe ma vie atomique récit librairie renaud bray - Feb 08 2023

web en 1998 le romancier quitte paris avec femme et enfants pour s installer dans le sud ouest à 17 kilomètres de la centrale  
nucléaire de golfech a partir de mars 2011 et de la  
semplice meine einfache italienische küche hardcover - Feb 08 2023

web semplice meine einfache italienische küche on amazon com au free shipping on eligible orders semplice meine einfache  
italienische küche

**semplice meine einfache italienische küche abebooks france** - Jul 01 2022

web kann sich heute noch jemand ein leben ohne pasta vorstellen ohne all die köstlichkeiten aus der italienischen küche nein  
heute ruft niemand mehr maria ihm schmeckt s

semplice meine einfache italienische küche 9783956142086 - Aug 02 2022

web 2017 gb ovk 28 00 224 s mÄngelexemplar ungelesen und vollständig aber mit leichten äußeren lager transportspuren  
mit einem stempel im

semplice meine einfache italienische küche boscagli andrea - Jul 13 2023

web semplice meine einfache italienische küche boscagli andrea lauenstein mercedes amazon com tr

semplice meine einfache italienische küche tapa dura - Mar 29 2022

web semplice meine einfache italienische küche de andrea boscagli mercedes lauenstein en iberlibro com isbn 10  
395614208x isbn 13 9783956142086 kunstmann a

semplice meine einfache italienische küche amazon de - Aug 14 2023

web semplice meine einfache italienische küche boscagli andrea lauenstein mercedes gottschall juri isbn 9783956142086  
kostenloser versand für alle bücher mit

*semplice meine einfache italienische küche amazon it* - Jun 12 2023

web semplice meine einfache italienische küche andrea boscagli mercedes lauenstein amazon it libri

**semplice deutsch Übersetzung italienisch beispiele reverso** - Nov 24 2021

web Übersetzung für semplice im deutsch questa elegante zanzariera è semplice e funzionale dieses elegante moskitonetz ist  
sowohl einfach als auch funktional albergo

**andrea boscagli semplice meine einfache italienische küche** - Nov 05 2022

web jul 12 2017 andrea boscaglis vini e panini ist bekannt in münchen hier kann man gut essen und einige typisch

---

italienische lebensmittel wie selbst gemachte nudeln oder

*semplice meine einfache italienische küche hardcover* - Jan 07 2023

web italienische kochbücher gibt es zuhauf aber semplice meine einfache italienische küche das hat noch gefehlt andrea boscaglis vini e panini in münchen ist legendär in

**semplice meine einfache italienische küche booklooker** - Oct 04 2022

web semplice meine einfache italienische küche bücher gebraucht antiquarisch neu kaufen preisvergleich käuferschutz wir bücher

**kochbuchsüchtig semplice meine einfache italienische küche** - Apr 29 2022

web jul 28 2017 in den achtzigerjahren hat andrea boscagli hier nicht die zutaten gefunden um für die familie so zu kochen wie er es von zu hause gewohnt war einfach aber

**semplice deutsch Übersetzung langenscheidt italienisch** - Sep 22 2021

web Übersetzung für semplice im kostenlosen italienisch deutsch wörterbuch von langenscheidt mit beispielen synonymen und aussprache

*semplice meine einfache italienische küche erstausgabe* - May 11 2023

web autor des buches bosc bos bös verlag mercedes lauenstein laue gottschall georg stephan lau andrea boscagli titel des buches mercedes semplice meine einfache

[semplice meine einfache italienische küche goodreads](#) - May 31 2022

web hardcover published july 12 2017 book details editions

**semplice kochbücher einfach köstlich die italienische** - Sep 03 2022

web semplice meine einfache italienische küche einfach köstlich die italienische küche wie wir sie lieben andrea boscaglis vini e panini in münchen ist legendär in seinen

**semplice meine einfache italienische küche librarything** - Jan 27 2022

web click to read more about semplice meine einfache italienische k uuml che by andrea boscagli librarything is a cataloging and social networking site for booklovers

**semplice leo Übersetzung im italienisch deutsch wörterbuch** - Dec 26 2021

web feb 5 2017 si scopre nudo e semplice letzter beitrag 24 mär 11 14 46 buon giorno ich lese gerade eine besprechung des buches io e te von niccolò ammaniti w 2

**semplice meine einfache italienische küche hardcover** - Mar 09 2023

web buy semplice meine einfache italienische küche by 9783956142086 from amazon uk s books shop free delivery on eligible orders

italienischer kuchen einfach rezepte chefkoch - Feb 25 2022

web italienischer kuchen einfach wir haben 97 tolle italienischer kuchen einfach rezepte für dich gefunden finde was du suchst unkompliziert vielfältig jetzt ausprobieren mit

**semplice meine einfache italienische küche abebooks** - Apr 10 2023

web abebooks com semplice meine einfache italienische küche 9783956142086 by boscagli andrea lauenstein mercedes and a great selection of similar new used and

**semplice dizionario italiano inglese wordreference** - Oct 24 2021

web semplice agg abito arredo sobrio lineare plain simple basic adj luca si veste sempre in modo semplice luca always wears plain clothes semplice agg persona ambiente

**semplice gebraucht kaufen rebuy** - Dec 06 2022

web semplice einfach ist andrea boscaglis motto und so sind die rezepte seiner italienischen küche einfach gut antipasti zuppe minestre gnocchi malfatti risotti fisch