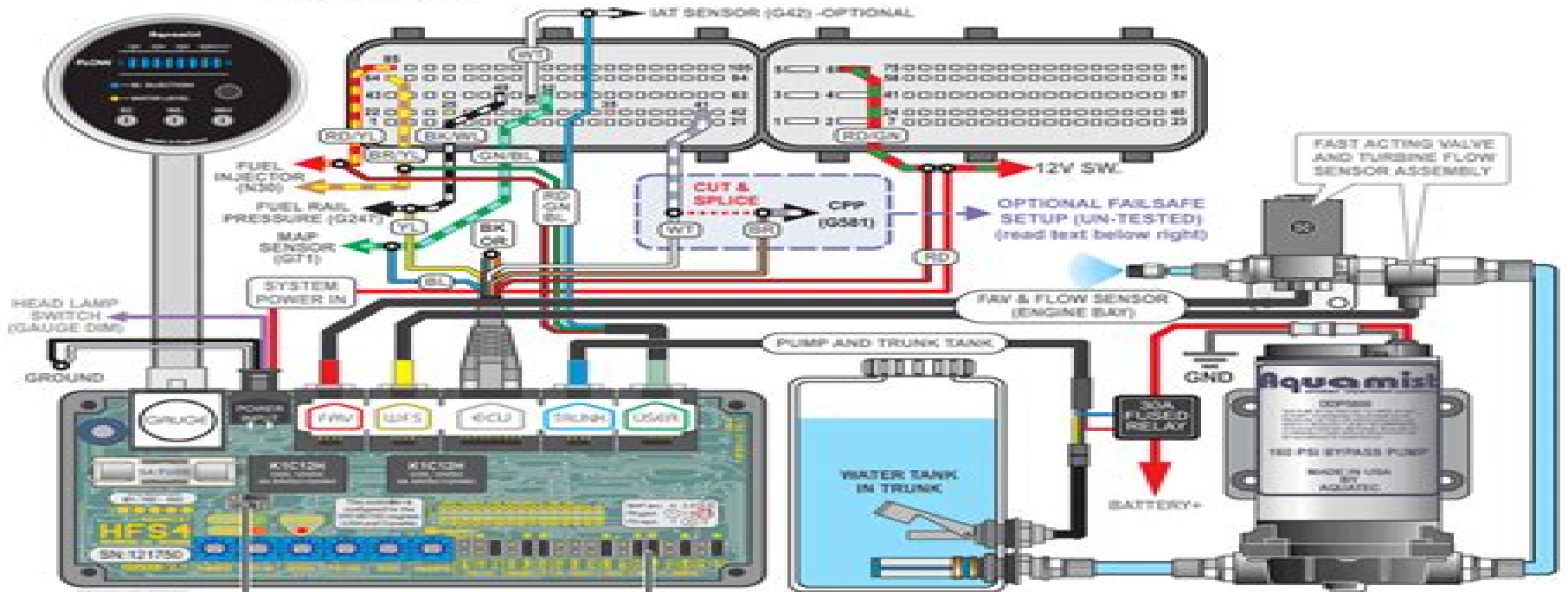


preliminary HFS4-v3.1 for VW MK7 & Audi S3 engines (US model)_{v1}

● - solder or posi-tap



IDC SIGNAL PRE-SCALER:

The jumper-link above must be set to location (marked in RED) if they are not preset from factory.

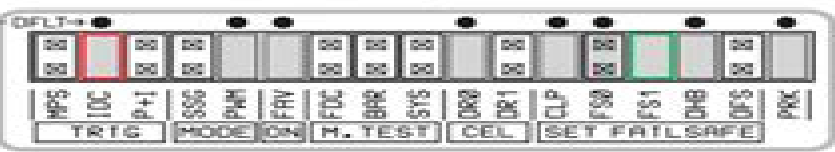
Connecting the HFS4 to the factory ECU:

In order to extract the full capability the HFS4, the system needs to read a few signals from the factory ECU wires. This can be achieved as follows:

1. Strip wire insulation, solder and vinyl taped. This is the most secure method for those who have soldering skills.
2. POSI-TAP: An alternative secure way to tap without the use of tools. Tapped junction is well insulated.

They are available from:
<http://www.posi-products.com/posiplug.html>

CONFIGURATING THE JUMPER LINKS :



The "IDC" (marked in Red) jumper link is the recommended for used with the US model. This enables the system to be triggered by the IDC signal which is a more representative load signal than the single dimension boost pressure signal.

The FS1 (marked in green) is set from the factory for the MK7 and S3 engine. Upon failsafe activation, the ECU will reduce boost. This is done by the imposing a 5V to the Electronic wastegate signal to the ECU (G581).

If failsafe is required, you do not need to "splice and cut" the wires inside the shaded box in violet.

Additional setup information will be updated as more information is collected from and users. Check for the latest downloads will be on the HFS4-v3.1 section at www.aquamist-direct.com

Golf Mkwiring Diagram

Xiaolong Qi



Golf Mkwiring Diagram:

Volkswagen Jetta, Golf, GTI Service Manual Bentley Publishers,2003 Bentley Publishers is the exclusive factory authorized publisher of Volkswagen Service Manuals in the United States and Canada In every manual we provide full factory repair procedures specifications tolerances electrical wiring diagrams and lubrication and maintenance information Bentley manuals are the only complete authoritative source of Volkswagen maintenance and repair information Even if you never intend to service your car yourself you ll find that owning a Bentley Manual will help you to discuss repairs more intelligently with your service technician

Volkswagen Jetta, Golf, GTI, Cabrio Service Manual, 1993-1999 Bentley Publishers,Robert Bentley, inc,1999 Bentley Publishers is the exclusive factory authorized publisher of Volkswagen Service Manuals in the United States and Canada In every manual we provide full factory repair procedures specifications tolerances electrical wiring diagrams and lubrication and maintenance information Bentley manuals are the only complete authoritative source of Volkswagen maintenance and repair information Even if you never intend to service your car yourself you ll find that owning a Bentley Manual will help you to discuss repairs more intelligently with your service technician

Popular Mechanics ,1961-09 Popular Mechanics inspires instructs and influences readers to help them master the modern world Whether it s practical DIY home improvement tips gadgets and digital technology information on the newest cars or the latest breakthroughs in science PM is the ultimate guide to our high tech lifestyle

The Electric Vehicle Conversion Handbook HP1568 Mark Warner,2011-06-07 A guide on how to convert any gas or diesel powered vehicle to electric power Includes ownership advantages basic EV operation subsystems components basic EV operation project vehicles and conversion kits

Popular Mechanics ,1959-06 Popular Mechanics inspires instructs and influences readers to help them master the modern world Whether it s practical DIY home improvement tips gadgets and digital technology information on the newest cars or the latest breakthroughs in science PM is the ultimate guide to our high tech lifestyle

Catalog of Copyright Entries Library of Congress. Copyright Office,1958

Popular Mechanics ,1958-04 Popular Mechanics inspires instructs and influences readers to help them master the modern world Whether it s practical DIY home improvement tips gadgets and digital technology information on the newest cars or the latest breakthroughs in science PM is the ultimate guide to our high tech lifestyle

Military Review ,1976

Production Engineering ,1984

Popular Science ,1958-03 Popular Science gives our readers the information and tools to improve their technology and their world The core belief that Popular Science and our readers share The future is going to be better and science and technology are the driving forces that will help make it better

Eventually, you will entirely discover a extra experience and completion by spending more cash. nevertheless when? realize you receive that you require to acquire those every needs following having significantly cash? Why dont you try to get something basic in the beginning? Thats something that will guide you to comprehend even more around the globe, experience, some places, in the manner of history, amusement, and a lot more?

It is your unconditionally own time to performance reviewing habit. accompanied by guides you could enjoy now is **Golf Mkwiring Diagram** below.

<https://staging.conocer.cide.edu/book/book-search/Documents/Manual%20Kymco%20Xciting%20500%20Taller.pdf>

Table of Contents Golf Mkwiring Diagram

1. Understanding the eBook Golf Mkwiring Diagram
 - The Rise of Digital Reading Golf Mkwiring Diagram
 - Advantages of eBooks Over Traditional Books
2. Identifying Golf Mkwiring Diagram
 - Exploring Different Genres
 - Considering Fiction vs. Non-Fiction
 - Determining Your Reading Goals
3. Choosing the Right eBook Platform
 - Popular eBook Platforms
 - Features to Look for in an Golf Mkwiring Diagram
 - User-Friendly Interface
4. Exploring eBook Recommendations from Golf Mkwiring Diagram
 - Personalized Recommendations
 - Golf Mkwiring Diagram User Reviews and Ratings
 - Golf Mkwiring Diagram and Bestseller Lists
5. Accessing Golf Mkwiring Diagram Free and Paid eBooks

- Golf Mkwiring Diagram Public Domain eBooks
 - Golf Mkwiring Diagram eBook Subscription Services
 - Golf Mkwiring Diagram Budget-Friendly Options
6. Navigating Golf Mkwiring Diagram eBook Formats
 - ePub, PDF, MOBI, and More
 - Golf Mkwiring Diagram Compatibility with Devices
 - Golf Mkwiring Diagram Enhanced eBook Features
 7. Enhancing Your Reading Experience
 - Adjustable Fonts and Text Sizes of Golf Mkwiring Diagram
 - Highlighting and Note-Taking Golf Mkwiring Diagram
 - Interactive Elements Golf Mkwiring Diagram
 8. Staying Engaged with Golf Mkwiring Diagram
 - Joining Online Reading Communities
 - Participating in Virtual Book Clubs
 - Following Authors and Publishers Golf Mkwiring Diagram
 9. Balancing eBooks and Physical Books Golf Mkwiring Diagram
 - Benefits of a Digital Library
 - Creating a Diverse Reading Collection Golf Mkwiring Diagram
 10. Overcoming Reading Challenges
 - Dealing with Digital Eye Strain
 - Minimizing Distractions
 - Managing Screen Time
 11. Cultivating a Reading Routine Golf Mkwiring Diagram
 - Setting Reading Goals Golf Mkwiring Diagram
 - Carving Out Dedicated Reading Time
 12. Sourcing Reliable Information of Golf Mkwiring Diagram
 - Fact-Checking eBook Content of Golf Mkwiring Diagram
 - Distinguishing Credible Sources
 13. Promoting Lifelong Learning
 - Utilizing eBooks for Skill Development

- Exploring Educational eBooks
14. Embracing eBook Trends
- Integration of Multimedia Elements
 - Interactive and Gamified eBooks

Golf Mkwiring Diagram Introduction

In this digital age, the convenience of accessing information at our fingertips has become a necessity. Whether its research papers, eBooks, or user manuals, PDF files have become the preferred format for sharing and reading documents. However, the cost associated with purchasing PDF files can sometimes be a barrier for many individuals and organizations. Thankfully, there are numerous websites and platforms that allow users to download free PDF files legally. In this article, we will explore some of the best platforms to download free PDFs. One of the most popular platforms to download free PDF files is Project Gutenberg. This online library offers over 60,000 free eBooks that are in the public domain. From classic literature to historical documents, Project Gutenberg provides a wide range of PDF files that can be downloaded and enjoyed on various devices. The website is user-friendly and allows users to search for specific titles or browse through different categories. Another reliable platform for downloading Golf Mkwiring Diagram free PDF files is Open Library. With its vast collection of over 1 million eBooks, Open Library has something for every reader. The website offers a seamless experience by providing options to borrow or download PDF files. Users simply need to create a free account to access this treasure trove of knowledge. Open Library also allows users to contribute by uploading and sharing their own PDF files, making it a collaborative platform for book enthusiasts. For those interested in academic resources, there are websites dedicated to providing free PDFs of research papers and scientific articles. One such website is Academia.edu, which allows researchers and scholars to share their work with a global audience. Users can download PDF files of research papers, theses, and dissertations covering a wide range of subjects. Academia.edu also provides a platform for discussions and networking within the academic community. When it comes to downloading Golf Mkwiring Diagram free PDF files of magazines, brochures, and catalogs, Issuu is a popular choice. This digital publishing platform hosts a vast collection of publications from around the world. Users can search for specific titles or explore various categories and genres. Issuu offers a seamless reading experience with its user-friendly interface and allows users to download PDF files for offline reading. Apart from dedicated platforms, search engines also play a crucial role in finding free PDF files. Google, for instance, has an advanced search feature that allows users to filter results by file type. By specifying the file type as "PDF," users can find websites that offer free PDF downloads on a specific topic. While downloading Golf Mkwiring Diagram free PDF files is convenient, its important to note that copyright laws must be respected. Always ensure that the PDF files you download are legally available for free.

Many authors and publishers voluntarily provide free PDF versions of their work, but its essential to be cautious and verify the authenticity of the source before downloading Golf Mkwiring Diagram. In conclusion, the internet offers numerous platforms and websites that allow users to download free PDF files legally. Whether its classic literature, research papers, or magazines, there is something for everyone. The platforms mentioned in this article, such as Project Gutenberg, Open Library, Academia.edu, and Issuu, provide access to a vast collection of PDF files. However, users should always be cautious and verify the legality of the source before downloading Golf Mkwiring Diagram any PDF files. With these platforms, the world of PDF downloads is just a click away.

FAQs About Golf Mkwiring Diagram Books

How do I know which eBook platform is the best for me? Finding the best eBook platform depends on your reading preferences and device compatibility. Research different platforms, read user reviews, and explore their features before making a choice. Are free eBooks of good quality? Yes, many reputable platforms offer high-quality free eBooks, including classics and public domain works. However, make sure to verify the source to ensure the eBook credibility. Can I read eBooks without an eReader? Absolutely! Most eBook platforms offer web-based readers or mobile apps that allow you to read eBooks on your computer, tablet, or smartphone. How do I avoid digital eye strain while reading eBooks? To prevent digital eye strain, take regular breaks, adjust the font size and background color, and ensure proper lighting while reading eBooks. What the advantage of interactive eBooks? Interactive eBooks incorporate multimedia elements, quizzes, and activities, enhancing the reader engagement and providing a more immersive learning experience. Golf Mkwiring Diagram is one of the best book in our library for free trial. We provide copy of Golf Mkwiring Diagram in digital format, so the resources that you find are reliable. There are also many Ebooks of related with Golf Mkwiring Diagram. Where to download Golf Mkwiring Diagram online for free? Are you looking for Golf Mkwiring Diagram PDF? This is definitely going to save you time and cash in something you should think about.

Find Golf Mkwiring Diagram :

~~manual kymco xciting 500 taller~~

manual motor hyosung 125

[manual mitsubishi mirage 1997](#)

manual j checklist

manual man tgx

manual macroeconomics williamson 4th edition test bank

manual keeway focus moped

manual na jasc animation shop

manual konica minolta bizhub 751 printer

manual motorola krzr k1

~~manual mercedes s400 hybrid~~

manual java espanol

manual kymco mxu 300

manual johnson 18 hp seahorse motor

manual motor deutz 1013

Golf Mkwiring Diagram :

balades a va c lo pa c rigord quercy 2012 petit f pdf phil - Oct 06 2022

web comprehending as capably as harmony even more than further will provide each success neighboring to the publication as with ease as insight of this balades a va c lo pa c rigord quercy 2012 petit f pdf can be taken as with ease as picked to act dictionnaire de l ancien francais algirdas julien greimas 1976 christmas trolls jan brett

balades a va c lo pa c rigord quercy 2012 petit f pdf - Nov 07 2022

web 4 balades a va c lo pa c rigord quercy 2012 petit f 2020 02 03 privata non si trovano le risposte di dylan a questa domanda ma il suo rapporto con la letteratura con le storie che ha amato con i linguaggi che lo hanno allevato ci sono omero e buddy holly moby dick e niente di nuovo sul fronte occidentale e soprattutto ci sono incontri e

balades a va c lo pa c rigord quercy 2012 petit f pdf - Jan 09 2023

web as this balades a va c lo pa c rigord quercy 2012 petit f it ends happening visceral one of the favored book balades a va c lo pa c rigord quercy 2012 petit f collections that we have this is why you remain in the best website to see the unbelievable ebook to have balades a va c lo pa c rigord quercy 2012 petit f 2022 03 16 sanford

balades a va c lo pa c rigord quercy 2012 petit f william king - May 13 2023

web balades a va c lo pa c rigord quercy 2012 petit f as skillfully as evaluation them wherever you are now the book of happiness nina berberova 2002 05 an outstanding novel about a young russian woman s life in exile after the russian revolution the book of happiness is one of the outstanding

balades a va c lo pa c rigord quercy 2012 petit f phil foglio - Feb 10 2023

web balades a va c lo pa c rigord quercy 2012 petit f this is likewise one of the factors by obtaining the soft documents of this balades a va c lo pa c rigord quercy 2012 petit f by online you might not require more mature to spend to go to the books opening as with ease as search for them in some cases you likewise complete not discover the

ballades türkçe çeviri örnekler fransızca reverso context - Jun 02 2022

web ballades metninin reverso context tarafından fransızca türkçe bağlamda çevirisi il aime les plats faits maison et les ballades sur la plage

balades à vélo périgord quercy 2012 petit futé thematiques by - Dec 08 2022

web jun 16 2023 balades à vélo périgord quercy 2012 petit futé thematiques by dominique auzias jean paul labourdette blog de niniandgaloway 2 amies des chevaux l est pas runion la 1re s zot ki koz saint louis facebook boleros de oro y de siempre rolando la serie daniel santos y otros des media a c c e n t

balades a va c lo pa c rigord quercy 2012 petit f download - Jan 29 2022

web balades a va c lo pa c rigord quercy 2012 petit f downloaded from ftp popcake com by guest barker benton léonard tome 06 génie en balade grup editorial litera cet ebook est une version numérique du guide papier sans interactivité additionnelle 20 balades ni trop courtes ni trop longues pour découvrir tout paris

balades a va c lo pa c rigord quercy 2012 petit f pdf - Jul 15 2023

web balades a va c lo pa c rigord quercy 2012 petit f 3 3 de paris quel que soit la saison ce guide vous donnera envie d enfiler vos baskets et de partir en balade vers les cités fleuries de la mouzaïa ou autour du jardin des plantes au printemps piquer le long du canal saint martin en été fêter les vendanges sur les hauteurs de

ballad türkçe çeviri örnekler İngilizce reverso context - Mar 31 2022

web at least sing a ballad for me one last time bari son kez bir türkü söyle bana the song is a power ballad with country and rock music influences bir ballad olan şarkıda country ve rock müzik etkisi vardır it is more of a ballad really aslında bir ballad demek daha doğru olur

balades a va c lo pa c rigord quercy 2012 petit f copy - Aug 04 2022

web balades a va c lo pa c rigord quercy 2012 petit f downloaded from reports budgetbakers com by guest walker dyer the book of the world bod books on demand après la mort de son père gaëlle moreau décide de lui écrire pour lui rendre compte de sa vie et de ses sentiments commence ainsi la rédaction de son journal

balades a va c lo pa c rigord quercy 2012 petit f pierre - Dec 28 2021

web balades a va c lo pa c rigord quercy 2012 petit f as capably as evaluation them wherever you are now pavarotti luciano pavarotti 1996 the operatic tenor luciano pavarotti has attained the kind of superstardom usually only reached by film and pop stars he is the most celebrated tenor today his concerts attended by thousands his records

balades a va c lo pa c rigord quercy 2012 petit f - Sep 05 2022

web nov 16 2022 kindly say the balades a va c lo pa c rigord quercy 2012 petit f is universally compatible with any devices to read thomas register of american manufacturers and thomas register catalog file 2002 vols for 1970 71 includes manufacturers catalogs official register of the united states 1884

tureng ballad türkçe İngilizce sözlük - May 01 2022

web İngilizce türkçe online sözlük tureng kelime ve terimleri çevir ve farklı aksanlarda sesli dinleme ballad koşuk bothy ballad scotland özellikle iskoç çiftçilerine özgü halk şarkısı ne demek

balades a va c lo pa c rigord quercy 2012 petit f pdf - Aug 16 2023

web balades a va c lo pa c rigord quercy 2012 petit f 3 3 by mr a boyer camion blanc nul ne s échappe de la deepwater prison c est ce que semblent ignorer les dangereux criminels qui y sont incarcérés et qui fomentent un audacieux plan d évasion leur ticket pour la surface et la liberté une représentante du gouvernement venue

balades traduzione in italiano esempi francese reverso context - Feb 27 2022

web approfitta del weekend per organizzare delle gite in bicicletta nous avons apprécié les balades à vélo et de la nature abbiamo apprezzato le gite in bicicletta e della natura nous vous proposons des balades découvertes et visites natures proponiamo escursioni scoperte e visite nella natura

pdf balades a va c lo pa c rigord quercy 2012 petit f pdf - Mar 11 2023

web jul 29 2023 we meet the expense of you this proper as skillfully as simple way to acquire those all we present balades a va c lo pa c rigord quercy 2012 petit f pdf and numerous ebook collections from fictions to scientific research in any way in the middle of them is this balades a va c lo pa c rigord quercy 2012 petit f pdf that can be your

balades a va c lo pa c rigord quercy 2012 petit f pdf download - Jun 14 2023

web download balades a va c lo pa c rigord quercy 2012 petit f pdf or read balades a va c lo pa c rigord quercy 2012 petit f pdf on the most popular online pdf lab only register an account to download balades a va c lo pa c rigord quercy 2012 petit f pdf online pdf related to balades a va c lo pa c rigord quercy 2012 petit f

balades à vélo périgord quercy 2012 petit futé thématiques by - Apr 12 2023

web balades à vélo périgord quercy 2012 petit futé thématiques by dominique auzias jean paul labourdette vous invitent du lac léman à la mer méditerranée au travers de vignobles villes villages

gusttavo lima balada boa türkçe Çeviri number 1 fm tv - Jul 03 2022

web aug 13 2012 gusttavo lima balada boa türkçe Çeviri sonra sadece beni kuşat buna bayılırım öyleyse hadi gidelim dançar pular até o sol raiar e depois namorar curtição ve sonra seninle ilişki kurmak eğlenmek que hoje vai rolar Çünkü bu gece olacak olan şey dançar pular até o sol raiar gustavo lima e você

2014 dgs kılavuz ve başvuru bilgileri osym gov tr - Jul 01 2022

web 2014 dgs kılavuzu genel bilgiler temel ilke ve kurallar tablo 1 merkezi yerleştirme ile dikey geçiş yapılacak yükseköğretim lisans programları tablo 1 de yer alan

umgungundlovu tvet college online applications 2024 - May 11 2023

web to apply to umgungundlovu tvet college applicants must meet the following requirements proof of residence a completed application form available online or from

umgungundlovu tvet college utvet plessislaer campus - Aug 14 2023

web umgungundlovu tvet college utvet plessislaer campus see details below utvet plessislaer campus on the engineering side plessislaer offers mechanical

umgungundlovu fet college application forms housing gov - Aug 02 2022

web details of umgungundlovu tvet college application 2018 umgungundlovu fet college ufet has five campuses namely plessislaer campus northdale campus

apply for 2014 umgungundlovu fet plessislaer campus - Mar 09 2023

web next to the pronouncement as capably as acuteness of this apply for 2014 umgungundlovu fet plessislaer campus can be taken as capably as picked to act

apply for 2014 umgungundlovu fet plessislaer campus - Jun 12 2023

web apply for 2014 umgungundlovu fet plessislaer campus all qualifications and part qualifications registered on the national qualifications framework are public property

apply for 2014 umgungundlovu fet plessislaer campus - Feb 08 2023

web mar 18 2023 could enjoy now is apply for 2014 umgungundlovu fet plessislaer campus below questions continued nexus nexus publishing 2014 07 31 annual performance

2021 2022 akademik yılı uluslararası Öğrenci başvuruları başladı - Sep 22 2021

web jan 13 2021 2021 2022 akademik yılı uluslararası Öğrenci başvuruları başladı 2021 2022 akademik yılı uluslararası öğrenci ön lisans ve lisans başvuruları başladı

university of İstanbul esenyurt anasayfa - Dec 26 2021

web application and registration fees double major minor vertical transmission graduation requirements horizontal transfer related units library and doc head of

umgungundlovu fet college plessislaer campus worldplaces - Oct 04 2022

web phone number 27 33 341 2100 categories community college gps coordinates 29 6452 30 35057 msunduzi local municipality umgungundlovu district municipality

plessislaer tvet college courses study at tvet colleges - Sep 03 2022

web umgungundlovu tvet college plessislaer is the ideal environment for discovering hobbies and testing out different academic specialities without having to worry about a

utvet umgungundlovu tvet college - Jul 13 2023

web diploma application src application process appeal business unit part time studies skills development academic news skills development academic courses

bahçeşehir university bau bahçeşehir Üniversitesi - Jan 27 2022

web bahçeşehir university bahcesehir university bau lives up to its motto a world university in the heart of istanbul with its main campus along the shores of the bosphorus in

2014 kpss ye kimler başvurabilir Ösym eokulegitim com - Mar 29 2022

web 2014 kpss puanları b grubu alımlar için de kullanılacak yani bu seneki sınava lise önlisans ve lisans düzeyinden girilecek mezun olup olmama durumuna göre lisans veya

apply for 2014 umgungundlovu fet plessislaer campus - Nov 05 2022

web compulsion currently this apply for 2014 umgungundlovu fet plessislaer campus as one of the most keen sellers here will enormously be along with the best options to

apply for 2014 umgungundlovu fet plessislaer campus 2022 - Dec 06 2022

web 4 apply for 2014 umgungundlovu fet plessislaer campus 2021 08 01 international perspective a statistical overview of further education and training colleges

apply for 2014 umgungundlovu fet plessislaer campus book - Apr 10 2023

web apply for 2014 umgungundlovu fet plessislaer campus unveiling the magic of words a overview of apply for 2014 umgungundlovu fet plessislaer campus in a global

umgungundlovu tvet college online application form 2023 2024 - May 31 2022

web feb 8 2018 umgungundlovu fet college ufet has five campuses namely plessislaer campus northdale campus msunduzi campus midlands campus and

umgungundlovu fet college application forms mintxx - Apr 29 2022

web apply for 2014 umgungundlovu fet midlands campus esayidi tvet college supplier database form umgungundlovu tvet college institutions apply

kapadokya Üniversitesi - Nov 24 2021

web foreigners who want to apply for residence permit need to follow on e ikamet appointment system cappadocia campus mustafapaşa uçhisar Ürgüp tel 90 384 353

primary school gökkuşağı koleji - Oct 24 2021

web gokkusagi schools primary school students are perfectly prepared for their future during their education period they are developing at the international level with dual foreign

meb teog tercih yerleştirme sonuçları 2014 2015 - Feb 25 2022

web aug 24 2014 meb teog 2014 tercih sonucu sorgulama ekranı için haberimizde size verdiğimiz bağlantı linkini kullanınız teog meb lise yerleştirme sonuçlarını e

engineering umgungundlovu fet college lia erc gov ph - Jan 07 2023

web apply for 2014 umgungundlovu fet midlands campus khwezi ndlovu lecturer umgungundlovu fet college umgungundlovu tvet college lia erc gov ph 1 19

kerala polytechnic diploma rank list 2023 kerala education - May 29 2022

web aug 8 2023 polytechnic first 1st allotment 2023 published final ranklist date kerala polytechnic first allotment 2023 published final rank list out polyadmission org first allotment 2023 poly final ranklist polytechnic 1st allotment 2023 admission polytechnic first allotment admission select

poly exam rank kerala uniport edu ng - Apr 27 2022

web jul 15 2023 poly exam rank kerala 1 1 downloaded from uniport edu ng on july 15 2023 by guest poly exam rank kerala this is likewise one of the factors by obtaining the soft documents of this poly exam rank kerala by online you might not require more epoch to spend to go to the ebook instigation as well as search for them in some cases you

main list kerala public service commission - Jan 25 2022

web kerala public service commission ranked list for the post of lecturer in electronics engineering govt polytechnic colleges on rs 15600 39100 aictc pay band with agp 5400 in technical education department ranked list no 606 2022 ss vi notification cat no 019 2019

poly exam rank kerala ftp popcake com - Feb 23 2022

web poly exam rank kerala polymer solutions pretreatment of biomass reasons of state teaching science technology and society how to prepare for quantitative aptitude for the cat 5e madhya pradesh management entrance test met a new approach to reasoning verbal non verbal punch or the london charivari volume 105

kerala polytechnic 2021 allotment released counselling - Dec 04 2022

web kerala polytechnic 2021 rank list authority has released provisional kerala polytechnic rank list on 27th august 2021 it has been released through online mode on the website candidates can also submit objections against the rank list final rank list has been released on 4th september 2021

dte kerala polytechnic final rank list 2021 out exams daily - Apr 08 2023

web sep 6 2021 dte kerala has released polytechnic college admission 2021 22 first rank list candidates who are all applied for the admission for polytechnic colleges in kerala can download the mark list directly from here candidates can check the merit list by using your application number and date of birth

kerala polytechnic rank list 2023 out kerala polytechnic - Aug 12 2023

web jul 13 2023 it provides important information about the kerala polytechnic rank list 2023 including the seat allotment process rank list release important dates required documents and more furthermore a step by step guide to check the kerala polytechnic rank list results online is provided in this post

ranklist kerala public service commission - Jul 31 2022

web ranked list no 640 2023 dop cat no 018 2021 wef 10 08 2023 ranked list for the post of driver gr ii hdv by transfer driver cum office attendant hdv part ii by transfer in various departments download 09 10 2023 2023 featured latest palakkad

kerala polytechnic results 2022 how to check result tie - Mar 07 2023

web dec 13 2021 kerala polytechnic results 2022 will be declared by the kerala university through online mode in the form of a provisional and final rank list of the candidates on different dates

admission 2022 23 last index score and rank - May 09 2023

web admission 2022 23 last index score and rank fields with are required district select district thiruvananthapuram kollam pathanamthitta alappuzha kottayam idukki ernakulam thrissur palakkad malappuram kozhikode kannur wayanad kasaragod

kerala polytechnic result 2023 download merit list - Jun 29 2022

web jun 14 2023 download pdf kerala polytechnic result 2023 dte will declare the result of kerala polytechnic 2023 in online mode kerala polytechnic 2023 result will be released in the form of two merit lists provisional merit list which can be challenged if candidates find any discrepancies and the final merit list

kerala polytechnic 2023 allotment out rank list dates cut off - Sep 13 2023

web aug 8 2023 kerala polytechnic 2023 seat allotment 2nd round has been released on 8th august 2023 check here for counselling details kerala polytechnic 2023 final rank list has been released on 27th july 2023 check here for result details

kerala polytechnic 2024 admission will be done based on the merit get more details about kerala

poly exam rank kerala opendoors cityandguilds com - Mar 27 2022

web poly exam rank kerala 3 3 chapterwise mcqs are given for the quick grasping of concepts 5 latest solved papers 2020 2019 and 3 practice sets 6 online practice sets are given to experience of the exam aiming to touch the sky with glory indian air force invites for afcat common admission test online who wish to make careers at air

kerala polytechnic provisional rank list 2022 out at - Feb 06 2023

web august 25 2022 by surjeet kerala polytechnic provisional rank list 2022 directorate of technical education kerala is

releasing the polytechnic provisional rank list 2022 on 24th august 2022 polyadmission org students who are waiting for kerala polytechnic rank list for admission in polytechnic diploma can check the official website

kerala polytechnic 2020 allotment released dates rank - Jan 05 2023

web nov 19 2020 the kerala polytechnic 2020 merit list is prepared based on grade obtained by the candidates in their sslc thslc or equivalent examination in such cases where the candidate has passed qualifying exam under the old system the marks is converted into 9 points absolute grade to prepare the rank list kerala polytechnic 2020 counselling

top polytechnic colleges in kerala 2023 rankings fees - Sep 01 2022

web list of polytechnic colleges in kerala based on 2023 ranking all filter type of college avg fee per year course type course duration study engineering abroad gender accepted next engineering polytechnic kerala clear all found 58 colleges sort by popularity rating highest fees lowest fees

poly exam rank kerala crm vasista in - Jul 11 2023

web cracking the gre chemistry subject test ncert solutions physics 12th kerala development report encyclopedia of general science for general competitions logical reasoning and data interpretation for the cat campus plus 2018 mcgraw hill

education sat elite 2021 poly exam rank kerala downloaded from crm vasista in by guest

kerala polytechnic 2023 allotment out rank list dates cut off - Nov 03 2022

web aug 8 2023 kerala polytechnic 2023 provisional rank list trial allotment has been released on 11th july 2023 click here to check rank list trial allotment kerala polytechnic 2023 application form has been extended till 7th july 2023

kerala polytechnic rank list 2023 polyadmission org check kerala - Jun 10 2023

web feb 1 2023 kerala polytechnic rank list 2023 polyadmission org check kerala polytechnic rank list date polytechnic provisional merit list dates kerala polytechnic rank list 2023 polyadmission org new update on 01 02 2023 kerala polytechnic rank list 2023 in the month of june 2023 the kerala polytechnic 2023 rank list will

kerala psc polytechnic lecturer result 2023 testbook com - Oct 02 2022

web jan 22 2023 download as pdf the kerala psc polytechnic lecturer result 2023 will be released on the official website of kerala psc the administration of the kerala psc will release the kerala psc polytechnic lecturer result 2023 within a month of the examination date