

- 1. How to use your phone
- 2. Getting started
- 3. Getting started
- 4. Getting started
- 5. Getting started
- 6. Getting started
- 7. Getting started
- 8. Getting started
- 9. Getting started
- 10. Getting started
- 11. Getting started
- 12. Getting started
- 13. Getting started
- 14. Getting started
- 15. Getting started
- 16. Getting started
- 17. Getting started
- 18. Getting started
- 19. Getting started
- 20. Getting started
- 21. Getting started
- 22. Getting started
- 23. Getting started
- 24. Getting started
- 25. Getting started
- 26. Getting started
- 27. Getting started
- 28. Getting started
- 29. Getting started
- 30. Getting started
- 31. Getting started
- 32. Getting started
- 33. Getting started
- 34. Getting started
- 35. Getting started
- 36. Getting started
- 37. Getting started
- 38. Getting started
- 39. Getting started
- 40. Getting started
- 41. Getting started
- 42. Getting started
- 43. Getting started
- 44. Getting started
- 45. Getting started
- 46. Getting started
- 47. Getting started
- 48. Getting started
- 49. Getting started
- 50. Getting started
- 51. Getting started
- 52. Getting started
- 53. Getting started
- 54. Getting started
- 55. Getting started
- 56. Getting started
- 57. Getting started
- 58. Getting started
- 59. Getting started
- 60. Getting started
- 61. Getting started
- 62. Getting started
- 63. Getting started
- 64. Getting started
- 65. Getting started
- 66. Getting started
- 67. Getting started
- 68. Getting started
- 69. Getting started
- 70. Getting started
- 71. Getting started
- 72. Getting started
- 73. Getting started
- 74. Getting started
- 75. Getting started
- 76. Getting started
- 77. Getting started
- 78. Getting started
- 79. Getting started
- 80. Getting started
- 81. Getting started
- 82. Getting started
- 83. Getting started
- 84. Getting started
- 85. Getting started
- 86. Getting started
- 87. Getting started
- 88. Getting started
- 89. Getting started
- 90. Getting started
- 91. Getting started
- 92. Getting started
- 93. Getting started
- 94. Getting started
- 95. Getting started
- 96. Getting started
- 97. Getting started
- 98. Getting started
- 99. Getting started
- 100. Getting started

1. With your fingers or a toothpick, lift the top cover from the back of the phone to reveal the underside of the phone's main board.



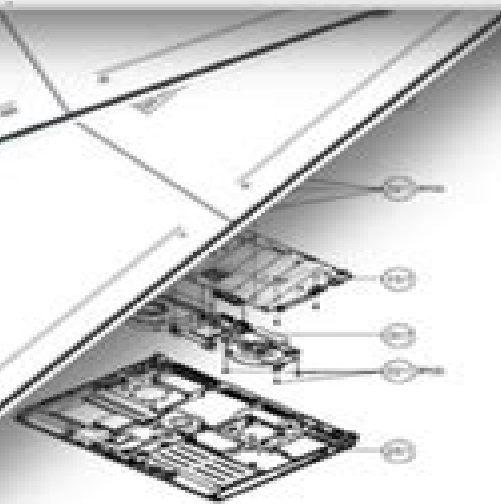
2. Remove the underside board from the back cover. Place the back cover into a clean, dry container to prevent damage to the back cover.

Removing the Camera Board

1. Position the camera board in the phone's camera hole and the lens cap in the camera hole. Push the camera board into the phone's camera hole.



2. Push the camera board into the phone's camera hole until the lens cap is in the camera hole.



Imac G3 Repair Manual

Keith Martin



Imac G3 Repair Manual:

Whispering the Secrets of Language: An Emotional Journey through **Imac G3 Repair Manual**

In a digitally-driven earth where monitors reign great and immediate conversation drowns out the subtleties of language, the profound secrets and mental subtleties hidden within phrases usually get unheard. However, situated within the pages of **Imac G3 Repair Manual** a captivating literary prize pulsating with organic emotions, lies an extraordinary quest waiting to be undertaken. Composed by a skilled wordsmith, this enchanting opus invites readers on an introspective trip, softly unraveling the veiled truths and profound impact resonating within the very material of each and every word. Within the psychological depths of this emotional review, we can embark upon a heartfelt exploration of the book's core themes, dissect its charming publishing design, and fail to the effective resonance it evokes heavy within the recesses of readers' hearts.

<https://staging.conocer.cide.edu/public/detail/index.jsp/Ferrari%20360%20Modena%20Workshop%20Manual%20Two%20Volumes%201124%20Pages.pdf>

Table of Contents Imac G3 Repair Manual

1. Understanding the eBook Imac G3 Repair Manual
 - The Rise of Digital Reading Imac G3 Repair Manual
 - Advantages of eBooks Over Traditional Books
2. Identifying Imac G3 Repair Manual
 - Exploring Different Genres
 - Considering Fiction vs. Non-Fiction
 - Determining Your Reading Goals
3. Choosing the Right eBook Platform
 - Popular eBook Platforms
 - Features to Look for in an Imac G3 Repair Manual
 - User-Friendly Interface
4. Exploring eBook Recommendations from Imac G3 Repair Manual
 - Personalized Recommendations

- Imac G3 Repair Manual User Reviews and Ratings
- Imac G3 Repair Manual and Bestseller Lists
- 5. Accessing Imac G3 Repair Manual Free and Paid eBooks
 - Imac G3 Repair Manual Public Domain eBooks
 - Imac G3 Repair Manual eBook Subscription Services
 - Imac G3 Repair Manual Budget-Friendly Options
- 6. Navigating Imac G3 Repair Manual eBook Formats
 - ePub, PDF, MOBI, and More
 - Imac G3 Repair Manual Compatibility with Devices
 - Imac G3 Repair Manual Enhanced eBook Features
- 7. Enhancing Your Reading Experience
 - Adjustable Fonts and Text Sizes of Imac G3 Repair Manual
 - Highlighting and Note-Taking Imac G3 Repair Manual
 - Interactive Elements Imac G3 Repair Manual
- 8. Staying Engaged with Imac G3 Repair Manual
 - Joining Online Reading Communities
 - Participating in Virtual Book Clubs
 - Following Authors and Publishers Imac G3 Repair Manual
- 9. Balancing eBooks and Physical Books Imac G3 Repair Manual
 - Benefits of a Digital Library
 - Creating a Diverse Reading Collection Imac G3 Repair Manual
- 10. Overcoming Reading Challenges
 - Dealing with Digital Eye Strain
 - Minimizing Distractions
 - Managing Screen Time
- 11. Cultivating a Reading Routine Imac G3 Repair Manual
 - Setting Reading Goals Imac G3 Repair Manual
 - Carving Out Dedicated Reading Time
- 12. Sourcing Reliable Information of Imac G3 Repair Manual
 - Fact-Checking eBook Content of Imac G3 Repair Manual

-
- Distinguishing Credible Sources
13. Promoting Lifelong Learning
 - Utilizing eBooks for Skill Development
 - Exploring Educational eBooks
 14. Embracing eBook Trends
 - Integration of Multimedia Elements
 - Interactive and Gamified eBooks

Imac G3 Repair Manual Introduction

In today's digital age, the availability of Imac G3 Repair Manual books and manuals for download has revolutionized the way we access information. Gone are the days of physically flipping through pages and carrying heavy textbooks or manuals. With just a few clicks, we can now access a wealth of knowledge from the comfort of our own homes or on the go. This article will explore the advantages of Imac G3 Repair Manual books and manuals for download, along with some popular platforms that offer these resources. One of the significant advantages of Imac G3 Repair Manual books and manuals for download is the cost-saving aspect. Traditional books and manuals can be costly, especially if you need to purchase several of them for educational or professional purposes. By accessing Imac G3 Repair Manual versions, you eliminate the need to spend money on physical copies. This not only saves you money but also reduces the environmental impact associated with book production and transportation. Furthermore, Imac G3 Repair Manual books and manuals for download are incredibly convenient. With just a computer or smartphone and an internet connection, you can access a vast library of resources on any subject imaginable. Whether you're a student looking for textbooks, a professional seeking industry-specific manuals, or someone interested in self-improvement, these digital resources provide an efficient and accessible means of acquiring knowledge. Moreover, PDF books and manuals offer a range of benefits compared to other digital formats. PDF files are designed to retain their formatting regardless of the device used to open them. This ensures that the content appears exactly as intended by the author, with no loss of formatting or missing graphics. Additionally, PDF files can be easily annotated, bookmarked, and searched for specific terms, making them highly practical for studying or referencing. When it comes to accessing Imac G3 Repair Manual books and manuals, several platforms offer an extensive collection of resources. One such platform is Project Gutenberg, a nonprofit organization that provides over 60,000 free eBooks. These books are primarily in the public domain, meaning they can be freely distributed and downloaded. Project Gutenberg offers a wide range of classic literature, making it an excellent resource for literature enthusiasts. Another popular platform for Imac G3 Repair Manual books and manuals is Open Library. Open Library is an initiative of the Internet Archive, a non-profit organization dedicated

to digitizing cultural artifacts and making them accessible to the public. Open Library hosts millions of books, including both public domain works and contemporary titles. It also allows users to borrow digital copies of certain books for a limited period, similar to a library lending system. Additionally, many universities and educational institutions have their own digital libraries that provide free access to PDF books and manuals. These libraries often offer academic texts, research papers, and technical manuals, making them invaluable resources for students and researchers. Some notable examples include MIT OpenCourseWare, which offers free access to course materials from the Massachusetts Institute of Technology, and the Digital Public Library of America, which provides a vast collection of digitized books and historical documents. In conclusion, I Mac G3 Repair Manual books and manuals for download have transformed the way we access information. They provide a cost-effective and convenient means of acquiring knowledge, offering the ability to access a vast library of resources at our fingertips. With platforms like Project Gutenberg, Open Library, and various digital libraries offered by educational institutions, we have access to an ever-expanding collection of books and manuals. Whether for educational, professional, or personal purposes, these digital resources serve as valuable tools for continuous learning and self-improvement. So why not take advantage of the vast world of I Mac G3 Repair Manual books and manuals for download and embark on your journey of knowledge?

FAQs About I Mac G3 Repair Manual Books

1. Where can I buy I Mac G3 Repair Manual books? Bookstores: Physical bookstores like Barnes & Noble, Waterstones, and independent local stores. Online Retailers: Amazon, Book Depository, and various online bookstores offer a wide range of books in physical and digital formats.
2. What are the different book formats available? Hardcover: Sturdy and durable, usually more expensive. Paperback: Cheaper, lighter, and more portable than hardcovers. E-books: Digital books available for e-readers like Kindle or software like Apple Books, Kindle, and Google Play Books.
3. How do I choose a I Mac G3 Repair Manual book to read? Genres: Consider the genre you enjoy (fiction, non-fiction, mystery, sci-fi, etc.). Recommendations: Ask friends, join book clubs, or explore online reviews and recommendations. Author: If you like a particular author, you might enjoy more of their work.
4. How do I take care of I Mac G3 Repair Manual books? Storage: Keep them away from direct sunlight and in a dry environment. Handling: Avoid folding pages, use bookmarks, and handle them with clean hands. Cleaning: Gently dust the covers and pages occasionally.

-
5. Can I borrow books without buying them? Public Libraries: Local libraries offer a wide range of books for borrowing. Book Swaps: Community book exchanges or online platforms where people exchange books.
 6. How can I track my reading progress or manage my book collection? Book Tracking Apps: Goodreads, LibraryThing, and Book Catalogue are popular apps for tracking your reading progress and managing book collections. Spreadsheets: You can create your own spreadsheet to track books read, ratings, and other details.
 7. What are Imac G3 Repair Manual audiobooks, and where can I find them? Audiobooks: Audio recordings of books, perfect for listening while commuting or multitasking. Platforms: Audible, LibriVox, and Google Play Books offer a wide selection of audiobooks.
 8. How do I support authors or the book industry? Buy Books: Purchase books from authors or independent bookstores. Reviews: Leave reviews on platforms like Goodreads or Amazon. Promotion: Share your favorite books on social media or recommend them to friends.
 9. Are there book clubs or reading communities I can join? Local Clubs: Check for local book clubs in libraries or community centers. Online Communities: Platforms like Goodreads have virtual book clubs and discussion groups.
 10. Can I read Imac G3 Repair Manual books for free? Public Domain Books: Many classic books are available for free as they're in the public domain. Free E-books: Some websites offer free e-books legally, like Project Gutenberg or Open Library.

Find Imac G3 Repair Manual :

ferrari 360 modena workshop manual two volumes 1124 pages

fet sales management nquestions papers

[fiat coupe factory service repair manual torrent](#)

fiat f115 manual

fiat tipo diesel service manual

fiat tractor 480

[ferrocontrol darc manual](#)

ferrari 575 workshop manual

fiat punto owners handbook

~~*fiat 124 spider 1979 factory service repair manual*~~

[fiche de lecture les choses de perec complegravete](#)

fiat hitachi excavators guide manual

fermec 860 operators manual

fiche de lecture la cantatrice chauve de ionesco complegravete

~~fiat grande punto haynes manual~~

I Mac G3 Repair Manual :

multilevel analysis an introduction to basic and advan - May 18 2022

web jan 1 1999 the second edition of this classic text introduces the main methods techniques and issues involved in carrying out multilevel modeling and analysis snijders and boskers book is an applied authoritative and accessible introduction to the topic providing readers with a clear conceptual and practical understanding of all the main

multilevel analysis techniques and applications 2nd ed apa - Mar 16 2022

web abstract this practical introduction helps readers apply multilevel techniques to their research noted as an accessible introduction the book also includes advanced extensions making it useful as both an introduction and as a reference to students researchers and methodologists

multilevel analysis an introduction to basic and advanced multilevel - Dec 25 2022

web dec 6 2011 multilevel analysis an introduction to basic and advanced multilevel modeling tom a b snijders roel j bosker sage publications dec 6 2011 reference 354 pages the second edition of

multilevel analysis an introduction to basic and advanced multilevel - Jun 18 2022

web t1 multilevel analysis an introduction to basic and advanced multilevel modeling au snijders t a b au bosker r j py 2011 y1 2011 m3 book sn 9781849202015 sn 9781849202008 bt multilevel analysis an introduction to basic and advanced multilevel modeling pb sage publications inc cy london er

multilevel analysis sage publications ltd - Feb 12 2022

web snijders and bosker s book is an applied authoritative and accessible introduction to the topic providing readers with a clear conceptual and practical understanding of all the main issues involved in designing multilevel studies and conducting multilevel analysis

multilevel analysis an introduction to basic and advanced multilevel - Feb 24 2023

web multilevel analysis an introduction to basic and advanced multilevel modeling second edition by tom a b snijders author 4 4 4 4 out of 5 stars 67 ratings

an introduction to clustered data and multilevel analyses oxford - Nov 23 2022

web feb 27 2020 multilevel analysis allows for more than just accurate estimation of regression coefficients and standard

errors due to non independence and quantification of between cluster variation the icc multilevel analysis an introduction to basic and advanced multilevel modeling 2nd ed london uk sage publications google scholar

[multilevel analysis an introduction to basic and advanced multilevel](#) - Oct 23 2022

web jul 1 2013 multilevel analysis an introduction to basic and advanced multilevel modeling 2nd edition request pdf

multilevel analysis an introduction to basic and advanced multilevel modeling 2nd

pdf multilevel analysis an introduction to basic and advanced - Oct 03 2023

web jan 1 1999 multilevel analysis an introduction to basic and advanced multilevel modeling january 1999 authors tom a b snijders university of groningen roel bosker university of groningen references 3

[multilevel modeling for psychologists apa psycnet](#) - Aug 21 2022

web this chapter provides an introduction to multilevel modeling mlm that can serve as a basis or starting point for reading and writing articles it explains the basics of multilevel analysis and increases readers awareness of the multilevel perspective so that they might recognize the multilevel features of the data they have collected and formulate research

[multilevel analysis an introduction to basic and advanced multilevel](#) - May 30 2023

web jul 1 2013 tldr this primer for using multilevel regression modeling to resolve some of the challenges of data analysis includes a research situation with nested data to illustrate how and why to use a multilevel approach specifically the advanced statistics module of spss ibm statistics 52

multilevel analysis an introduction to basic and advanced multilevel - Sep 02 2023

web oct 30 2011 multilevel analysis an introduction to basic and advanced multilevel modeling tom a b snijders roel j bosker google books the second edition of this classic text introduces the main

multilevel analysis university of oxford - Aug 01 2023

web multilevel analysis an introduction to basic and applied multilevel analysis 2nd edition sage 2012 chapters 1 2 4 6 8 10 13 14 17 there is an associated website stats ox ac uk snijders mlbook htm containing data sets and scripts for various software packages

contents of t a b snijders and r j bosker multilevel analysis - Sep 21 2022

web 1 introduction multilevel analysis probability models this book prerequisites notation 2 multilevel theories multi stage sampling and multilevel models dependence as a nuisance dependence as an interesting phenomenon macro level micro level and cross level relations glommary 3 statistical treatment of clustered data aggregation

multilevel analysis by t a b snijders and r j bosker 2nd edition - Mar 28 2023

web multilevel analysis an introduction to basic and advanced multilevel modeling written by tom a b snijders and roel j bosker appeared november 2011 at sage publishers the official publication year however is 2012 the sage announcement of

this book is here and here is the table of contents

multilevel analysis an introduction to basic and advanced multilevel - Jul 20 2022

web multilevel analysis is the ideal guide for researchers and applied statisticians in the social sciences including education but will also interest researchers in economics and biological

multilevel analysis an introduction to basic and advanced multilevel - Jun 30 2023

web jul 22 2013 multilevel analysis an introduction to basic and advanced multilevel modeling 2nd edition robert s stawski pages 541 550 published online 22 jul 2013 cite this article doi org 10 1080 10705511 2013 797841

multilevel analysis an introduction to basic and advanced multilevel - Apr 28 2023

web oct 30 2011 multilevel analysis an introduction to basic and advanced multilevel modeling tom a b snijders roel j bosker sage publications dec 6 2011 reference 368 pages the second edition of

multilevel analysis springerlink - Jan 26 2023

web jan 1 2014 multilevel analysis may be understood to refer broadly to the methodology of research questions and data structures that involve more than one type of unit this originated in studies involving several levels of aggregation such as individuals and counties or pupils classrooms and schools

multilevel analysis an introduction to basic and advanced multilevel - Apr 16 2022

web multilevel analysis an introduction to basic and advanced multilevel modeling multilevel theories multi stage sampling and multilevel models statistical treatment of clustered data the random intercept model the hierarchical linear model testing and model speci show more

mercury mariner 200 hp efi 4 stroke 02 07 service manual - Mar 13 2023

this is a complete service manual contains all necessary instructions needed for any repair your mercury mariner 200 hp efi outboard 1992 1993 1994 1995 1996 1997 1998 1999 2000 may

mercury outboard boat motor service manual directory - Sep 07 2022

dec 15 2019 read mercury mariner outboard 200hp service repair manual sn 0g960500 and above by 195su2g on issuu and browse thousands of other publications on o

mercury outboard service manuals free download pdf - Aug 18 2023

owners manuals to easily access an owner s manual with consolidated information specific to your mercury engine agree to the terms and fill out the form below to order a printed

mercury 200hp service repair workshop manuals - May 03 2022

view and download mercury 200 user manual online mercury marine outboard motor user manual 200 outboard motor pdf manual download also for 3 0 liter 225 250

mercury 200 user manual pdf download manualslib - Mar 01 2022

mercury 200 efi service manual download mercury 200 efi service manual download back to all outboard motors original
2002 mercury mariner 150 175 200 efi 2 stroke factory

mercury mariner outboard 200hp service repair manual sn - Jul 05 2022

mercury mariner 200 hp 4 stroke factory service repair manual 37 99 items 1 24 of 49 page 1 3 mercury 200hp our 200hp
mercury outboard engines workshop manuals

mercury 200 user manual pdf download manualslib - Oct 28 2021

mercury 150 efi service manual pdf download manualslib - Jan 31 2022

description manual covers the following machines mercury mariner models 150 175 200hp efi 2 stroke outboards repair
manuals instant access after

owner s resources mercury marine - Apr 14 2023

service manual for mercury mariner 200 hp efi 4 stroke outboard 2002 2003 2004 2005 2006 2007 contains information such
as tune ups for mercury mariner 200 hp efi 4 stroke

mercury mercruiser 4 5l mercury marine - Nov 09 2022

mercury outboard service manual directory by year mercury outboard production 1922 2007 1939 1964 1965 1966 1967
1968 1969 1970 1971 1972 1973

mercury 150 175 200hp 2stroke efi outboard repair manual - Nov 28 2021

mercury 200hp service repair manual pdf just give me the - Jun 16 2023

view and download mercury 200 operation and maintenance manual online 200 outboard motor pdf manual download also
for 3 0 liter 225 250

mercury 200 pro xs operation maintenance and installation - Aug 06 2022

seloc marine engine repair guide and online repair service for mercury engines mercury 115 fourstroke command thrust 115
hp 4 cyl 2065cc 2 1l 1979 1980 1981 1982 1983 1984

mercury 20 efi fourstroke manuals manualslib - Oct 08 2022

view and download mercury 200 pro xs operation maintenance and installation manual online 200 pro xs engine pdf manual
download also for 200

seloc marine repair guides for mercury engines online and - Jun 04 2022

service repair workshop manual available for instant to your computer tablet or smart phone this professional manual covers

all repairs servicing and troubleshooting pro mercury

mercury 200 operation and maintenance - May 15 2023

owner s manuals to access a free digital owner s manual with consolidated information specific to your mercury engine

please click here to order a printed version of the service manual

mercury 200 efi manuals manualslib - Sep 19 2023

manuals and user guides for mercury 200 efi we have 1 mercury 200 efi manual available for free pdf download service

manual mercury 200 efi service manual 631 pages

mercury mariner 200 hp efi outboard 92 00 service manual - Feb 12 2023

mercury mariner 200 hp efi 1992 2000 workshop service manual have a question ask us what s included lifetime access fast download speeds online offline access access

mercury mariner outboard 200hp 200hp efi full - Apr 02 2022

view and download mercury 150 efi service manual online electronic fuel injection 150 efi engine pdf manual download also for 175 efi 200 efi 150xri 175xri 200xri 0t409000

mercury mariner 200 efi 2 stroke factory service repair manual - Dec 10 2022

mercury 20 efi fourstroke manuals manuals and user guides for mercury 20 efi fourstroke we have 2 mercury 20 efi fourstroke manuals available for free pdf download service

owners manuals mercury marine - Jul 17 2023

mercury mariner 200hp efi 1992 2000 outboard service repair manual download now best mercury mariner outboard 135hp 150hp 175hp 200hp service repair manual

mercury mariner 200 hp efi 1992 2000 workshop service manual - Jan 11 2023

mercury mariner 200 efi 2 stroke factory service repair manual meets all your information needs to repair or make some adjustments to your mercury mariner 200 efi 2 stroke this

mercury 200 efi service manual download crxsi com - Dec 30 2021

view and download mercury 200 user manual online mercury marine 200 225 250 275 outboard motor 200 outboard motor pdf manual download model designation

geoscience laboratory 5th edition tom freeman answer key - May 01 2022

web we provide geoscience laboratory 5th edition tom freeman answer key and numerous book collections from fictions to scientific research in any way in the course of them is this geoscience laboratory 5th edition tom freeman answer key that can be your partner the changing earth exploring geology and evolution james monroe

answers to geoscience laboratory 5th edition 2022 - Sep 05 2022

web 4 4 answers to geoscience laboratory 5th edition 2021 09 02 laboratory what is a lab notebook the most important geology book ever written published

geoscience laboratory 5th edition answer key issuu - Aug 16 2023

web sep 22 2017 free access for geoscience laboratory 5th edition answer key edition to read online or download to your computer read these extensive report and overview by simply following the url

geoscience laboratory solution manual and test bank - Mar 11 2023

web geoscience laboratory manual 5th edition tom freeman test bank and solution manual shop

geoscience laboratory 5th edition vitalsource - Nov 07 2022

web geoscience laboratory 5th edition is written by tom freeman and published by wiley the digital and etextbook isbn for geoscience laboratory are 9780470618042 0470618043 and the print isbn are 9780470462430 0470462434 save up to 80 versus print by going digital with vitalsource

solutions for geoscience laboratory tom freeman - Apr 12 2023

web freeman geoscience laboratory 5th edition tom freeman answers geoscience laboratory 5th edition tom freeman answers geoscience laboratory manual editions chegg geoscience laboratory 5th edition tom freeman answer key geoscience laboratory 5th edition tom freeman answer key geoscience

geoscience laboratory manual 5th edition textbooks com - Jan 09 2023

web this easy to use easy to learn from laboratory manual for physical geology employs an interactive question and answer format that engages the student right from the start of each exercise tom freeman an award winning teacher with 30 years experience takes a developmental approach to learning that emphasizes principles over rote memorization

online library geoscience laboratory 5th edition tom freeman answers - Feb 27 2022

web it provides answers to commonly asked questions relating to laboratory tests and solutions to frequently encountered problems in small animal diagnosis for easy reference information is provided by clinical presentation and abnormalities and includes hundreds of tables boxes key points and algorithms

geoscience laboratory manual 5th edition wiley - Feb 10 2023

web geoscience laboratory manual 5th edition wiley this inquiry based lab manual offers real world case studies of topical events with activities and google earth images appropriate for an introductory geology or physical geology course

geoscience laboratory 5th edition tom freeman answer key - Aug 04 2022

web aug 3 2022 geoscience laboratory 5th edition tom freeman answer key c8046a3f172c1f2decd22fdf9298d357 a little human might be pleased past looking at you reading geoscience laboratory 5th

read book geoscience laboratory 5th edition tom freeman answer - Jun 02 2022

web geoscience laboratory manual nov 25 2022 the fifth edition has been updates includethe replacement of all 23 air photo stereograms with google earth images within this manual questions are highlighted and embedded within the text creating a solutions for geoscience laboratory tom freeman - Jan 29 2022

web laboratory 5th edition 9780470462430 geoscience laboratory 5th edition tom freeman answers geoscience laboratory 5th edition tom freeman answers geoscience laboratory 5th edition tom freeman answers geoscience laboratory 5th edition tom freeman answers maybe you have experience that people have answers to geoscience laboratory 5th edition pdf - Mar 31 2022

web geoscience laboratory 5th edition tom freeman answer key answers to geoscience laboratory 5th edition what is the answer to cross section 2 in geoscience

freeman geoscience laboratory manual 5th edition instructor - Jun 14 2023

web welcome to the web site for geoscience laboratory manual fifth edition by tom freeman this web site gives you access to the rich tools and resources available for this text you can access these resources in two ways using the

answers to geoscience laboratory 5th edition - Dec 28 2021

web each chapter is a learning page 3 13 august 25 2023 answers to geoscience laboratory 5th edition cycle which begins with a visually engaging two page spread about a compelling geologic issue each chapter ends with an investigation that challenges students with a problem associated with a virtual place

geoscience laboratory manual edition 5 by tom freeman - Jul 03 2022

web jan 20 2009 the fifth edition has been updates includethe replacement of all 23 air photo stereograms with google earth images within this manual questions are highlighted and embedded within the text creating a dialog format and [9780470462430 geoscience laboratory manual knetbooks](#) - Dec 08 2022

web jan 20 2009 the fifth edition has been updates includethe replacement of all 23 air photo stereograms with google earth images within this manual questions are highlighted and embedded within the text creating a dialog format and [geoscience laboratory 5th edition tom freeman answer key](#) - Oct 06 2022

web geoscience laboratory 5th edition tom freeman answer key c8046a3f172c1f2decd22fdf9298d357 some person might be laughing following looking at you reading geoscience laboratory [geoscience laboratory manual 5th edition amazon com](#) - Jul 15 2023

web jan 20 2009 tom freeman is the author of geoscience laboratory manual 5th edition published by wiley product details publisher wiley 5th edition january 20 2009

geoscience laboratory manual tom freeman google books - May 13 2023

web jan 20 2009 geoscience laboratory manual tom freeman wiley jan 20 2009 science 304 pages 2 reviews reviews aren t

verified but google checks for and removes fake content when it s identified the fifth edition has been updates includethe replacement of all 23 air photo stereograms with google earth images