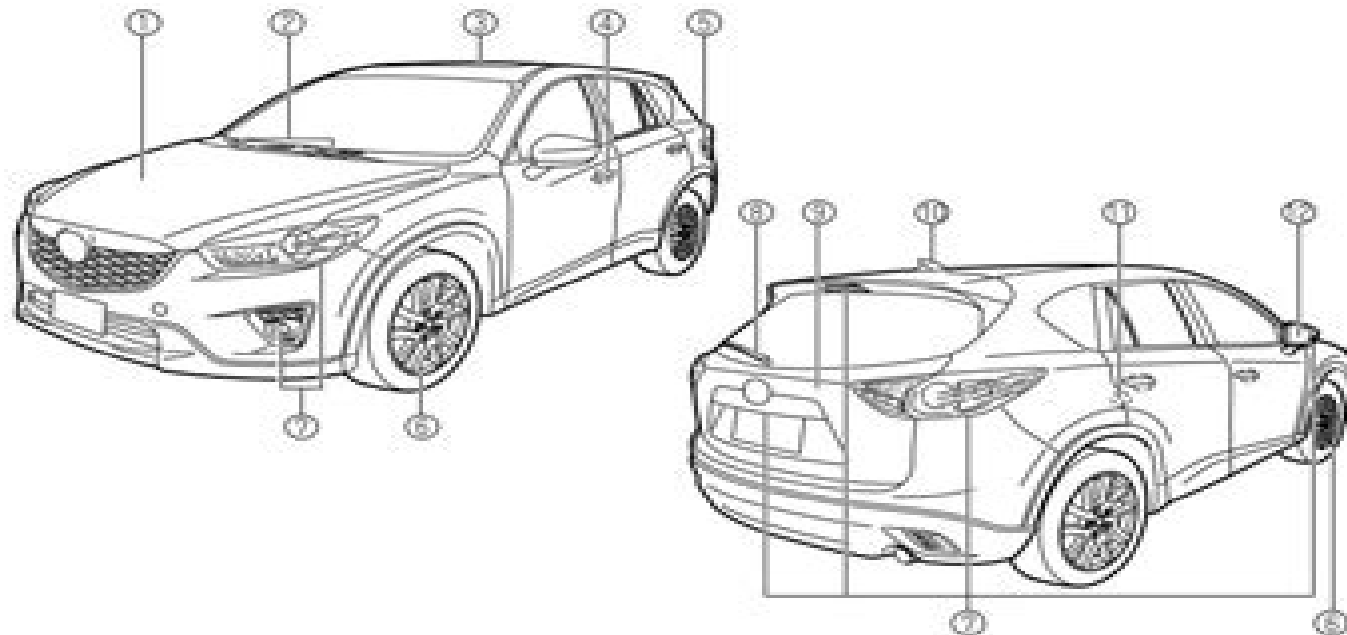


Pictorial Index

Exterior Overview



① Hood	page 6-18
② Windshield wiper blades	page 6-27
③ Moonroof	page 3-33
④ Doors and keys	page 3-12
⑤ Fuel-filler lid	page 3-24
⑥ Wheels and Tires	page 6-35
⑦ Exterior lights	page 6-40
⑧ Rear window wiper blade	page 6-29
⑨ Liftgate	page 3-19
⑩ Antenna	page 5-13
⑪ Child safety locks	page 3-18
⑫ Outside mirror	page 3-27

Manual Mazda Cx5

Jeremy Clarkson



Manual Mazda Cx5:

Whispering the Secrets of Language: An Mental Quest through **Manual Mazda Cx5**

In a digitally-driven earth wherever displays reign supreme and quick conversation drowns out the subtleties of language, the profound strategies and emotional nuances hidden within words often move unheard. However, set within the pages of **Manual Mazda Cx5** a interesting fictional treasure pulsating with fresh emotions, lies a fantastic journey waiting to be undertaken. Penned by a talented wordsmith, this wonderful opus invites visitors on an introspective journey, gently unraveling the veiled truths and profound impact resonating within the very fabric of each word. Within the psychological depths of the emotional review, we shall embark upon a genuine exploration of the book is primary styles, dissect its captivating publishing fashion, and fail to the powerful resonance it evokes deep within the recesses of readers hearts.

https://staging.conocer.cide.edu/data/uploaded-files/Documents/konica_minolta_bizhub_600_750_parts_guide.pdf

Table of Contents Manual Mazda Cx5

1. Understanding the eBook Manual Mazda Cx5
 - The Rise of Digital Reading Manual Mazda Cx5
 - Advantages of eBooks Over Traditional Books
2. Identifying Manual Mazda Cx5
 - Exploring Different Genres
 - Considering Fiction vs. Non-Fiction
 - Determining Your Reading Goals
3. Choosing the Right eBook Platform
 - Popular eBook Platforms
 - Features to Look for in an Manual Mazda Cx5
 - User-Friendly Interface
4. Exploring eBook Recommendations from Manual Mazda Cx5
 - Personalized Recommendations
 - Manual Mazda Cx5 User Reviews and Ratings

- Manual Mazda Cx5 and Bestseller Lists
- 5. Accessing Manual Mazda Cx5 Free and Paid eBooks
 - Manual Mazda Cx5 Public Domain eBooks
 - Manual Mazda Cx5 eBook Subscription Services
 - Manual Mazda Cx5 Budget-Friendly Options
- 6. Navigating Manual Mazda Cx5 eBook Formats
 - ePub, PDF, MOBI, and More
 - Manual Mazda Cx5 Compatibility with Devices
 - Manual Mazda Cx5 Enhanced eBook Features
- 7. Enhancing Your Reading Experience
 - Adjustable Fonts and Text Sizes of Manual Mazda Cx5
 - Highlighting and Note-Taking Manual Mazda Cx5
 - Interactive Elements Manual Mazda Cx5
- 8. Staying Engaged with Manual Mazda Cx5
 - Joining Online Reading Communities
 - Participating in Virtual Book Clubs
 - Following Authors and Publishers Manual Mazda Cx5
- 9. Balancing eBooks and Physical Books Manual Mazda Cx5
 - Benefits of a Digital Library
 - Creating a Diverse Reading Collection Manual Mazda Cx5
- 10. Overcoming Reading Challenges
 - Dealing with Digital Eye Strain
 - Minimizing Distractions
 - Managing Screen Time
- 11. Cultivating a Reading Routine Manual Mazda Cx5
 - Setting Reading Goals Manual Mazda Cx5
 - Carving Out Dedicated Reading Time
- 12. Sourcing Reliable Information of Manual Mazda Cx5
 - Fact-Checking eBook Content of Manual Mazda Cx5
 - Distinguishing Credible Sources

13. Promoting Lifelong Learning
 - Utilizing eBooks for Skill Development
 - Exploring Educational eBooks
14. Embracing eBook Trends
 - Integration of Multimedia Elements
 - Interactive and Gamified eBooks

Manual Mazda Cx5 Introduction

In the digital age, access to information has become easier than ever before. The ability to download Manual Mazda Cx5 has revolutionized the way we consume written content. Whether you are a student looking for course material, an avid reader searching for your next favorite book, or a professional seeking research papers, the option to download Manual Mazda Cx5 has opened up a world of possibilities. Downloading Manual Mazda Cx5 provides numerous advantages over physical copies of books and documents. Firstly, it is incredibly convenient. Gone are the days of carrying around heavy textbooks or bulky folders filled with papers. With the click of a button, you can gain immediate access to valuable resources on any device. This convenience allows for efficient studying, researching, and reading on the go. Moreover, the cost-effective nature of downloading Manual Mazda Cx5 has democratized knowledge. Traditional books and academic journals can be expensive, making it difficult for individuals with limited financial resources to access information. By offering free PDF downloads, publishers and authors are enabling a wider audience to benefit from their work. This inclusivity promotes equal opportunities for learning and personal growth. There are numerous websites and platforms where individuals can download Manual Mazda Cx5. These websites range from academic databases offering research papers and journals to online libraries with an expansive collection of books from various genres. Many authors and publishers also upload their work to specific websites, granting readers access to their content without any charge. These platforms not only provide access to existing literature but also serve as an excellent platform for undiscovered authors to share their work with the world. However, it is essential to be cautious while downloading Manual Mazda Cx5. Some websites may offer pirated or illegally obtained copies of copyrighted material. Engaging in such activities not only violates copyright laws but also undermines the efforts of authors, publishers, and researchers. To ensure ethical downloading, it is advisable to utilize reputable websites that prioritize the legal distribution of content. When downloading Manual Mazda Cx5, users should also consider the potential security risks associated with online platforms. Malicious actors may exploit vulnerabilities in unprotected websites to distribute malware or steal personal information. To protect themselves, individuals should ensure their devices have reliable antivirus software installed and validate the legitimacy of the websites they are downloading from. In conclusion, the ability

to download Manual Mazda Cx5 has transformed the way we access information. With the convenience, cost-effectiveness, and accessibility it offers, free PDF downloads have become a popular choice for students, researchers, and book lovers worldwide. However, it is crucial to engage in ethical downloading practices and prioritize personal security when utilizing online platforms. By doing so, individuals can make the most of the vast array of free PDF resources available and embark on a journey of continuous learning and intellectual growth.

FAQs About Manual Mazda Cx5 Books

What is a Manual Mazda Cx5 PDF? A PDF (Portable Document Format) is a file format developed by Adobe that preserves the layout and formatting of a document, regardless of the software, hardware, or operating system used to view or print it.

How do I create a Manual Mazda Cx5 PDF? There are several ways to create a PDF: Use software like Adobe Acrobat, Microsoft Word, or Google Docs, which often have built-in PDF creation tools. Print to PDF: Many applications and operating systems have a "Print to PDF" option that allows you to save a document as a PDF file instead of printing it on paper. Online converters: There are various online tools that can convert different file types to PDF.

How do I edit a Manual Mazda Cx5 PDF? Editing a PDF can be done with software like Adobe Acrobat, which allows direct editing of text, images, and other elements within the PDF. Some free tools, like PDFescape or Smallpdf, also offer basic editing capabilities.

How do I convert a Manual Mazda Cx5 PDF to another file format? There are multiple ways to convert a PDF to another format: Use online converters like Smallpdf, Zamzar, or Adobe Acrobat's export feature to convert PDFs to formats like Word, Excel, JPEG, etc. Software like Adobe Acrobat, Microsoft Word, or other PDF editors may have options to export or save PDFs in different formats.

How do I password-protect a Manual Mazda Cx5 PDF? Most PDF editing software allows you to add password protection. In Adobe Acrobat, for instance, you can go to "File" -> "Properties" -> "Security" to set a password to restrict access or editing capabilities. Are there any free alternatives to Adobe Acrobat for working with PDFs? Yes, there are many free alternatives for working with PDFs, such as: LibreOffice: Offers PDF editing features. PDFsam: Allows splitting, merging, and editing PDFs. Foxit Reader: Provides basic PDF viewing and editing capabilities. How do I compress a PDF file?

You can use online tools like Smallpdf, ILovePDF, or desktop software like Adobe Acrobat to compress PDF files without significant quality loss. Compression reduces the file size, making it easier to share and download. Can I fill out forms in a PDF file? Yes, most PDF viewers/editors like Adobe Acrobat, Preview (on Mac), or various online tools allow you to fill out forms in PDF files by selecting text fields and entering information. Are there any restrictions when working with PDFs?

Some PDFs might have restrictions set by their creator, such as password protection, editing restrictions, or print restrictions. Breaking these restrictions might require specific software or tools, which may or may not be legal depending on

the circumstances and local laws.

Find Manual Mazda Cx5 :

konica minolta bizhub 600 750 parts guide

komatsu service manual bulldozer 65

kohler manual tp 6113

kohler 5ckm21 service manual

komatsu wf450 3 and wf450t 3 trash compactor service manual

komatsu pc200 pc200lc 6 pc210lc 6 maintenance manual

komatsu d41e 6 d41p 6 dozer bulldozer service shop manual

komatsu 25 operators manual

konica 7812 color imaging system service repair manual

komatsu service manual loader wa600

komatsu pc200lc 8 hydraulic excavator factory service repair manual

kohler command model cv750 30hp engine full service repair manual

komatsu 6dl25 series diesel engine service workshop manual

komatsu excavator pc100 6 pc120 6 master service manual

komatsu wa250 manual

Manual Mazda Cx5 :

auswahl eines geeigneten elektromotors ruban bleu - Jan 31 2022

abebooks com auswahl von elektromotoren leicht gemacht 9783800748631 and a great selection of similar new used and collectible books available now at great prices

auswahl von elektromotoren leicht gemacht der weg pdf - Nov 28 2021

drive technology books vde publishing house - Mar 13 2023

auswahl von elektromotoren leicht gemacht der weg von der anwendungsanalyse zum richtig dimensionierten elektromotor

friedrich wilhelm garbrecht buch taschenbuch

auswahl von elektromotoren leicht gemacht - Sep 19 2023

auswahl von elektromotoren leicht gemacht der weg von der anwendungsanalyse zum richtig dimensionierten elektromotor
garbrecht friedrich wilhelm amazon com tr kitap

auswahl von elektromotoren leicht gemacht der weg von - Jun 04 2022

elektromotor schnittmodell ein elektromotor ist ein elektromechanischer wandler elektrische maschine der elektrische
leistung in mechanische leistung umwandelt in herkömmlichen

auswahl von elektromotoren leicht gemacht der weg von - May 03 2022

sep 10 2018 auswahl eines geeigneten elektromotors zuerst sind einige wichtige daten zu erheben das gewicht des boots
das gewicht der bootsausstattung das gesamtgewicht

auswahl von elektromotoren leicht gemacht bücher de - Sep 07 2022

auswahl von elektromotoren leicht gemacht finden sie alle bücher von friedrich wilhelm garbrecht bei der
büchersuchmaschine eurobuch com können sie antiquarische und

auswahl von elektromotoren leicht gemacht der weg von der - Aug 18 2023

das fachbuch auswahl von elektromotoren leicht gemacht sieht unscheinbar aus bei näherer betrachtung habe ich
anspruchsvolle zusammenhänge gut erklärt und mit

auswahl von elektromotoren leicht gemacht gbv de - Oct 08 2022

auswahl von elektromotoren leicht gemacht von friedrich wilhelm garbrecht isbn 978 3 8007 2911 1 fachbuch online kaufen
lehmanns de blick ins buch auswahl von

auswahl elektromotoren leicht gemacht abebooks - Apr 02 2022

jan 17 2015 der elektromotor bei einer umrüstung dreht sich alles um den antriebsmotor es ist das erste teil das sie
einbauen werden die position im motorraum ist praktisch schon

auswahl von elektromotoren leicht gemacht der weg von der - Feb 12 2023

auswahl von elektromotoren leicht gemacht der weg von der anwendungsanalyse zum richtig dimensionierten elektromotor
by garbrecht friedrich wilhelm at abebooks co uk

antriebstechnik bÜcher vde verlag - May 15 2023

der weg von der anwendungsanalyse zum richtig dimensionierten elektromotor 2020 242 pages din a5 broschur this book is
also available as e book pdf

elektromotor wikipedia - Mar 01 2022

ihrer historischen entwicklung von ca 1450 bis zur unmittelbaren gegenwart das wörterbuch ist ein standardwerk zur
deutschen sprache der gegenwart auswahl von elektromotoren

auswahl von elektromotoren leicht gemacht der weg von - Dec 10 2022

auswahl von elektromotoren leicht gemacht der weg von der anwendungsanalyse zum richtig dimensionierten elektromotor
auswahl von elektromotoren leicht gemacht der weg von - Apr 14 2023

auswahl von elektromotoren leicht gemacht der weg von der anwendungsanalyse zum richtig dimensionierten elektromotor
worldcat org

auswahl von elektromotoren leicht gemacht books vde - Jun 16 2023

isbn 9783800748631 auswahl von elektromotoren leicht gemacht der weg von der anwendungsanalyse zum richtig dimensionierten elektromotor gebraucht antiquarisch

elektroautos der elektromotor bauplan elektroauto - Dec 30 2021

auswahl von elektromotoren leicht gemacht lehmanns de - Jul 05 2022

auswahl von elektromotoren leicht gemacht language german and a great selection of related books art and collectibles available now at abebooks com

auswahl von elektromotoren leicht gemacht der weg von der - Aug 06 2022

60 garbrecht friedrich wilhelm auswahl von elektromotoren leicht gemacht der weg von der anwendungsanalyse zum richtig dimensionierten elektromotor isbn

auswahl von elektromotoren leicht gemacht 9783800748631 - Oct 28 2021

auswahl von elektromotoren leicht gemacht thalia - Jan 11 2023

auswahl von elektromotoren leicht gemacht der weg von der anwendungsanalyse zum richtig dimensionierten elektromotor vde verlag gmbh berlin offenbach

auswahl von elektromotoren leicht gemacht der weg von der - Jul 17 2023

auswahl von elektromotoren leicht gemacht der weg von der anwendungsanalyse zum richtig dimensionierten elektromotor 2 neu bearbeitete auflage 2020 242 pages din a5

content select auswahl von elektromotoren - Nov 09 2022

für alle studierenden und auszubildenden in der mechatronik zeigt dieses buch wege auf um auch ohne berufserfahrung die geeignete antriebslösung für das optimale zusammenwirken

unit 3 pogil biology photosynthesis how do light studocu - May 15 2023

2 activities for ap biology pogil 3 consider the chemical reaction in model 1 this represents photosynthesis a what substances are the reactants in photosynthesis

pogil photosynthesis what s in a leaf flashcards quizlet - Mar 13 2023

study with quizlet and memorize flashcards containing terms like plants are the source of all what is the source of all oxygen on earth reactants of photosynthesis and more

photosynthesis pogil worksheets learny kids - Jan 31 2022

model 1 chloroplast 6co 2 12h 2 o sunlight energy c 6 h 12 o 6 6o 2 6h 2 o outer membrane site of the calvin cycle or light independent reactions site of the light

photosynthesis pogil answers flashcards quizlet - Jul 17 2023

created by coolxaidxman terms in this set 39 1b is this organelle more likely to be found in animal cells or plant cells plant cells 2 the structures inside the organelle in model 1 are

pogil activities for ap biology flinn sci - Oct 08 2022

7 respiration and photosynthesis ap biology exam information and strategies the laboratory and big ideas of ap biology topic 3 respiration and photosynthesis ctrl

7 4 oxidative phosphorylation biology for ap courses - May 03 2022

pogil activities for ap biology answers 8 science course biology photosynthesis pogil worksheets total of 8 printable worksheets available for this concept worksheets are

ap bio photosynthesis pogil master list flashcards quizlet - Feb 12 2023

learning objectives in this section you will explore the following questions what is the relevance of photosynthesis to living organisms what are the main cellular structures

pogil photosynthesis photosynthesis 1 photosynthesis how do - Oct 28 2021

[photosynthesis pogil lab answer key athens mutual student](#) - Mar 01 2022

3 edit pogil activities for ap biology answers form replace text adding objects rearranging pages and more then select the documents tab to combine divide lock or unlock the file 4

pogil pogil activities for ap biology - Jan 11 2023

pogil activities for ap biology evolution selection and speciation 189 phylogenetic trees

pogil biology - Jun 04 2022

oct 3 2022 some of the worksheets displayed are a cellular landscape student pogil activity photosynthesis pogil answers pogil activities for ap label the central vein in

photosynthesis mr wren - Apr 14 2023

quiz terms in this set 25 what is the general equation for photosynthesis light carbon dioxide water sugars oxygen energy what are the reactants of

biochemistry basics key bbh biochemistry basics 1 studocu - Apr 02 2022

ap biology photosynthesis answer key a fascinating perform of literary splendor that pulses with organic thoughts lies an remarkable trip waiting to be embarked upon

photosynthesis pogil key yumpu - Aug 18 2023

photosynthesis pogil read more about photosynthesis and pogil show menu buy now swipe vertical scroll horizontal scroll page turn view mode share from cover share from

pogil activities for ap biology photosynthesis answer key - Dec 30 2021

pogil activities for ap biology answers pdf pdffiller - Nov 28 2021

pogil activities for ap biology flinn scientific - Nov 09 2022

answers from photosynthesis pogil ap biology mp3 video free download pogil activities for ap biology immunity answers answers to the energy and photosynthesis study guide

photosynthesis pogil key yumpu - Sep 07 2022

high school pogil activities for high school biology read more pogil activities for ap biology read more hspi biology activities *ap biology resources google docs google sheets* - Jul 05 2022

4 pogil activities for ap biology 10 consider the polar molecules in model 2 a in general the presence of atoms of what element s makes a molecule polar the presence of

8 1 overview of photosynthesis biology for ap - Dec 10 2022

dec 29 2014 photosynthesis pogil key photosynthesis pogil key show more show less epaper read download epaper tags photosynthesis pogil

pogil activities for ap biology answer key photosynthesis course - Aug 06 2022

connection for ap courses the electron transport chain etc is the stage of aerobic respiration that uses free oxygen as the final electron acceptor of the electrons removed during

kami export 11 photosynthesis s ap bio lab studocu - Jun 16 2023

10 pogil activities for ap biology throughout photosynthesis energy is transferred from light to several molecules with increasingly higher potential energy use the words below to

ap biology pogil photosynthesis flashcards quizlet - Sep 19 2023

study with quizlet and memorize flashcards containing terms like what substances are the reactants of photosynthesis where in the organelle are these molecules stored before they

oxford picture dictionary visual english chrome web store - Sep 27 2022

web the largest and most trusted free online dictionary for learners of british and american english with definitions pictures example sentences synonyms antonyms word

[oxford picture dictionary english united states oxford](#) - Jun 24 2022

web jul 13 2023 oxford german picture dictionary 2 6 downloaded from uniport edu ng on july 13 2023 by guest english dictionaries has established itself as a world leader

german picture dictionary mcgraw hill free download - Oct 09 2023

web german pictures dictionary kids illustrated collection opensource language english let s learn german picture dictionary mcgraw hill der die das

[german picture dictionary language advisor](#) - Sep 08 2023

web jan 26 1995 the oxford dudon pictorial german and english dictionary second edition identifies over 29 000 objects by means of numbered illustrations and offers at a glance

oxford picture dictionary united states oxford - Jun 05 2023

web oxford picture dictionary english korean bilingual dictionary for korean speaking teenage and adult students of english oxford picture dictionary 2e part of oxford

the oxford dudon pictorial german and english - Aug 07 2023

web oxford german picture dictionary let s learn german dictionary may 26 2023 created by leading educators these colorful large size dictionaries introduce beginning

about pictures word list at oxfordlearnersdictionaries com - Jul 26 2022

web oxford children s picture dictionary oxford english dictionary bild wörterbuch english german englisch deutsch german visual dictionary a photo guide to everyday

[oxford picture dictionary 3rd edition archive org](#) - Mar 02 2023

web 2021 03 11 08 09 40 associated names scholze stubenrecht werner sykes j b john bradbury clark m thyen o olaf boxid ia40070918 camera sony alpha a6300

oxford picture dictionary oxford university press - Nov 17 2021

the oxford dudon pictorial german english dictionary - Apr 03 2023

web get started with the oxford picture dictionary third edition find advice on how to set up your new course including all the information you will need to access and use your

english book the new oxford picture dictionary pdf - Jan 20 2022

[oxford picture dictionary united states oxford](#) - Feb 01 2023

web the oxford dudon german dictionary is the flagship dictionary of the line in a major new edition here one will find unmatched coverage of german worldwide including swiss

[amazon com oxford picture dictionary german](#) - May 04 2023

web picture dictionaries german picture dictionaries english german language glossaries vocabularies etc english language glossaries vocabularies etc

[english german oxford english picture dictionary taschenbuch](#) - Apr 22 2022

web the oxford picture dictionary third edition has been enhanced with new topics to prepare learners for work academic study and citizenship it is available as an american english

oxford german picture dictionary brb org uk - Mar 22 2022

oxford german picture dictionary 2023 fromthedeckchair com - Jul 06 2023

web oxford picture dictionary is a fully integrated vocabulary development program progressing from essential words to the more complex delivered in short thematic units

oxford german picture dictionary uniport edu ng - Feb 18 2022

the oxford picture dictionary apps on google play - Dec 19 2021

oxford german dictionary german english english german - Nov 29 2022

web dictionary entries that include pictures are listed in the pictures word list there is a list for the oxford advanced american dictionary and one for das oxford schulwörterbuch

picture dictionary german apps on google play - Aug 27 2022

web herausgeber oxford university press 1 februar 1980 februar 1980 sprache englisch

oxford german picture dictionary esource svb com - Oct 29 2022

web oxford picture dictionary the second edition of the best selling picture dictionary available in 13 bilingual editions that meet the language needs of high school students

[oxford learner s dictionaries find definitions translations and](#) - May 24 2022

web view details request a review learn more

oxford picture dictionary third edition teaching resources - Dec 31 2022

web jul 25 2020 oxford picture dictionary for chrome extension provides an image search engine for the oxford learner 39 s

dictionaries site english learners can learn new