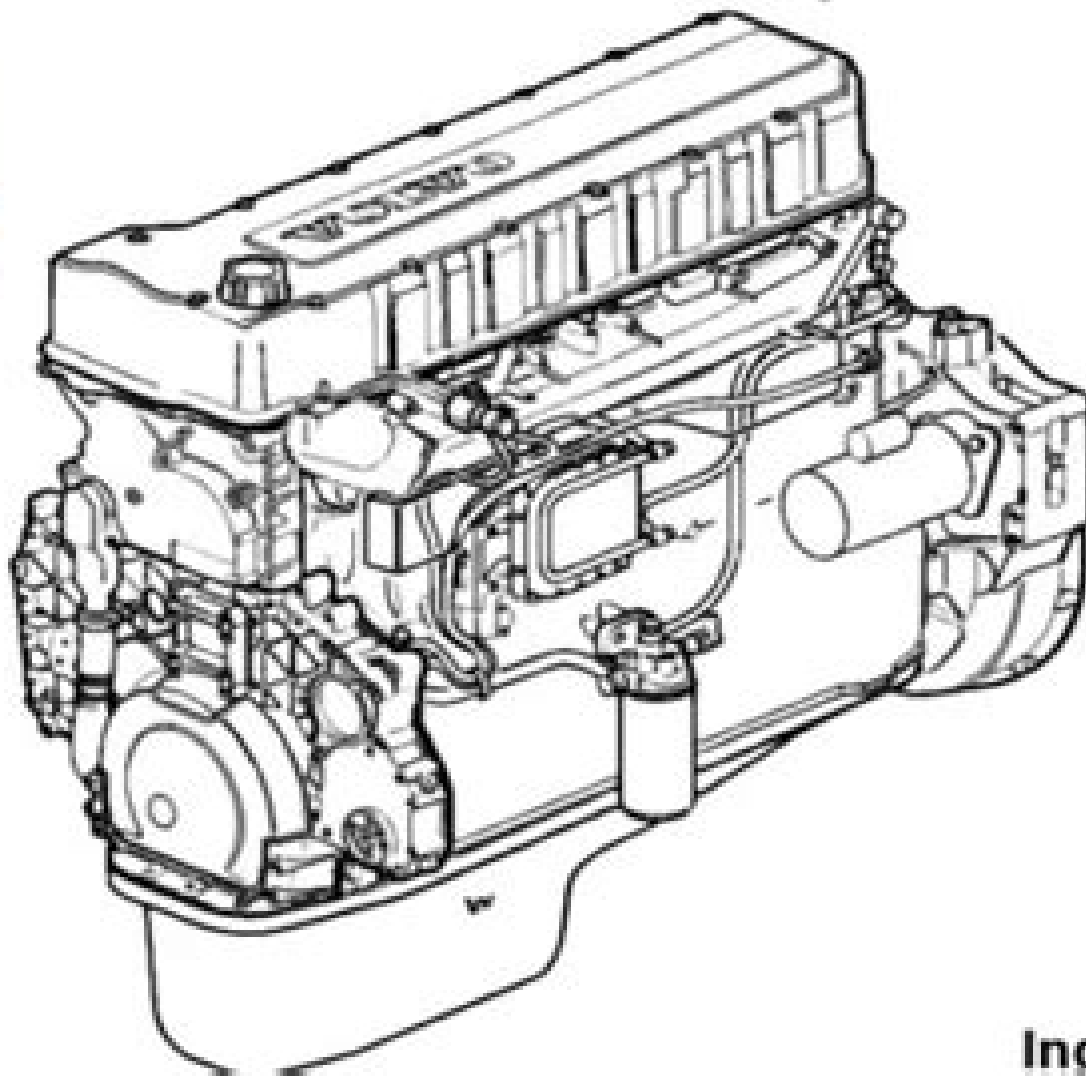


LUCHO STORE[®]

Calidad y Servicio Garantizado

MANUAL DE TALLER

Volvo Motor D12 D12A D12B D12C Reparación



Inglés / PDF

Manual De Motor Volvo Ved1

Penton Staff



Manual De Motor Volvo Ved1:

Official Gazette of the United States Patent and Trademark Office ,1986 Catalog of Copyright Entries. Third Series Library of Congress. Copyright Office,1961 Includes Part 1 Number 1 2 Books and Pamphlets Including Serials and Contributions to Periodicals January December *The Autocar* ,1969-05 **Catalog of Copyright Entries** Library of Congress. Copyright Office,1960 **East European Accessions List** Library of Congress,Library of Congress. Processing Dept,1960 Volvo Service Manual Volvo, Aktiebolaget,1962 Workshop Manual Engine Volvo, Peugeot, Renault, de Lorean Volvo B28,2009 Complete Handbook for the V6 Europe Engine Peugeot Volvo Renault Alpine De Lorean and others **Volvo Service Manual Repair Instructions** ,1975 **Service Manual** ,1968 *Volvo 240 Service Manual 1983 Through 1993* Bentley Publishers,1993 Vehicle Maintenance *Volvo 850 Service and Repair Manual* John S. Mead,2015 *Volvo S40 and V50 Diesel Owner's Workshop Manual, 07-13* Chris Randall,2016-10 **Service Manual** Volvo, Aktiebolaget,1975 *Volvo Penta Stern Drive Shop Manual 2001-2004* Penton Staff,2000-05-24 30GS 3 0L in line 4 cylinder 135 HP 43GL 4 3L V 6 160 HP 43GI 4 3L V 6 180 HP 43GXI 4 3L V 6 210 HP 50GL 5 0L V 8 220 HP 50GI 5 0L V 8 250 HP 50GXI 5 0L V 8 270 HP 57GS 5 7L V 8 225 HP 57GS 5 7L V 8 250 HP 57GSI 5 7L V 8 280 H *Volvo S70, V70 & C70 Service and Repair Manual* Jex RM,2014 **Volvo Service Manual Repair Instructions** ,1975 **Volvo Service Manual** ,19?? *Volvo F/G 89 Service Manual* Volvo,197? **Volvo** John Haynes,1998-07-30 Haynes offers the best coverage for cars trucks vans SUVs and motorcycles on the market today Each manual contains easy to follow step by step instructions linked to hundreds of photographs and illustrations Included in every manual troubleshooting section to help identify specific problems tips that give valuable short cuts to make the job easier and eliminate the need for special tools notes cautions and warnings for the home mechanic color spark plug diagnosis and an easy to use index *Volvo 300 Series* Colin Brown,1996

Recognizing the showing off ways to get this ebook **Manual De Motor Volvo Ved1** is additionally useful. You have remained in right site to begin getting this info. acquire the Manual De Motor Volvo Ved1 join that we have the funds for here and check out the link.

You could buy guide Manual De Motor Volvo Ved1 or get it as soon as feasible. You could quickly download this Manual De Motor Volvo Ved1 after getting deal. So, similar to you require the book swiftly, you can straight get it. Its fittingly entirely simple and appropriately fats, isnt it? You have to favor to in this freshen

https://staging.conocer.cide.edu/files/Resources/HomePages/homemade_pork_sausage_patties_recipe.pdf

Table of Contents Manual De Motor Volvo Ved1

1. Understanding the eBook Manual De Motor Volvo Ved1
 - The Rise of Digital Reading Manual De Motor Volvo Ved1
 - Advantages of eBooks Over Traditional Books
2. Identifying Manual De Motor Volvo Ved1
 - Exploring Different Genres
 - Considering Fiction vs. Non-Fiction
 - Determining Your Reading Goals
3. Choosing the Right eBook Platform
 - Popular eBook Platforms
 - Features to Look for in an Manual De Motor Volvo Ved1
 - User-Friendly Interface
4. Exploring eBook Recommendations from Manual De Motor Volvo Ved1
 - Personalized Recommendations
 - Manual De Motor Volvo Ved1 User Reviews and Ratings
 - Manual De Motor Volvo Ved1 and Bestseller Lists
5. Accessing Manual De Motor Volvo Ved1 Free and Paid eBooks

- Manual De Motor Volvo Ved1 Public Domain eBooks
 - Manual De Motor Volvo Ved1 eBook Subscription Services
 - Manual De Motor Volvo Ved1 Budget-Friendly Options
6. Navigating Manual De Motor Volvo Ved1 eBook Formats
 - ePub, PDF, MOBI, and More
 - Manual De Motor Volvo Ved1 Compatibility with Devices
 - Manual De Motor Volvo Ved1 Enhanced eBook Features
 7. Enhancing Your Reading Experience
 - Adjustable Fonts and Text Sizes of Manual De Motor Volvo Ved1
 - Highlighting and Note-Taking Manual De Motor Volvo Ved1
 - Interactive Elements Manual De Motor Volvo Ved1
 8. Staying Engaged with Manual De Motor Volvo Ved1
 - Joining Online Reading Communities
 - Participating in Virtual Book Clubs
 - Following Authors and Publishers Manual De Motor Volvo Ved1
 9. Balancing eBooks and Physical Books Manual De Motor Volvo Ved1
 - Benefits of a Digital Library
 - Creating a Diverse Reading Collection Manual De Motor Volvo Ved1
 10. Overcoming Reading Challenges
 - Dealing with Digital Eye Strain
 - Minimizing Distractions
 - Managing Screen Time
 11. Cultivating a Reading Routine Manual De Motor Volvo Ved1
 - Setting Reading Goals Manual De Motor Volvo Ved1
 - Carving Out Dedicated Reading Time
 12. Sourcing Reliable Information of Manual De Motor Volvo Ved1
 - Fact-Checking eBook Content of Manual De Motor Volvo Ved1
 - Distinguishing Credible Sources
 13. Promoting Lifelong Learning
 - Utilizing eBooks for Skill Development

- Exploring Educational eBooks
14. Embracing eBook Trends
- Integration of Multimedia Elements
 - Interactive and Gamified eBooks

Manual De Motor Volvo Ved1 Introduction

Manual De Motor Volvo Ved1 Offers over 60,000 free eBooks, including many classics that are in the public domain. Open Library: Provides access to over 1 million free eBooks, including classic literature and contemporary works. Manual De Motor Volvo Ved1 Offers a vast collection of books, some of which are available for free as PDF downloads, particularly older books in the public domain. Manual De Motor Volvo Ved1 : This website hosts a vast collection of scientific articles, books, and textbooks. While it operates in a legal gray area due to copyright issues, its a popular resource for finding various publications. Internet Archive for Manual De Motor Volvo Ved1 : Has an extensive collection of digital content, including books, articles, videos, and more. It has a massive library of free downloadable books. Free-eBooks Manual De Motor Volvo Ved1 Offers a diverse range of free eBooks across various genres. Manual De Motor Volvo Ved1 Focuses mainly on educational books, textbooks, and business books. It offers free PDF downloads for educational purposes. Manual De Motor Volvo Ved1 Provides a large selection of free eBooks in different genres, which are available for download in various formats, including PDF. Finding specific Manual De Motor Volvo Ved1, especially related to Manual De Motor Volvo Ved1, might be challenging as theyre often artistic creations rather than practical blueprints. However, you can explore the following steps to search for or create your own Online Searches: Look for websites, forums, or blogs dedicated to Manual De Motor Volvo Ved1, Sometimes enthusiasts share their designs or concepts in PDF format. Books and Magazines Some Manual De Motor Volvo Ved1 books or magazines might include. Look for these in online stores or libraries. Remember that while Manual De Motor Volvo Ved1, sharing copyrighted material without permission is not legal. Always ensure youre either creating your own or obtaining them from legitimate sources that allow sharing and downloading. Library Check if your local library offers eBook lending services. Many libraries have digital catalogs where you can borrow Manual De Motor Volvo Ved1 eBooks for free, including popular titles. Online Retailers: Websites like Amazon, Google Books, or Apple Books often sell eBooks. Sometimes, authors or publishers offer promotions or free periods for certain books. Authors Website Occasionally, authors provide excerpts or short stories for free on their websites. While this might not be the Manual De Motor Volvo Ved1 full book , it can give you a taste of the authors writing style. Subscription Services Platforms like Kindle Unlimited or Scribd offer subscription-based access to a wide range of Manual De Motor Volvo Ved1 eBooks, including some popular titles.

FAQs About Manual De Motor Volvo Ved1 Books

How do I know which eBook platform is the best for me? Finding the best eBook platform depends on your reading preferences and device compatibility. Research different platforms, read user reviews, and explore their features before making a choice. Are free eBooks of good quality? Yes, many reputable platforms offer high-quality free eBooks, including classics and public domain works. However, make sure to verify the source to ensure the eBook credibility. Can I read eBooks without an eReader? Absolutely! Most eBook platforms offer web-based readers or mobile apps that allow you to read eBooks on your computer, tablet, or smartphone. How do I avoid digital eye strain while reading eBooks? To prevent digital eye strain, take regular breaks, adjust the font size and background color, and ensure proper lighting while reading eBooks. What the advantage of interactive eBooks? Interactive eBooks incorporate multimedia elements, quizzes, and activities, enhancing the reader engagement and providing a more immersive learning experience. Manual De Motor Volvo Ved1 is one of the best book in our library for free trial. We provide copy of Manual De Motor Volvo Ved1 in digital format, so the resources that you find are reliable. There are also many Ebooks of related with Manual De Motor Volvo Ved1. Where to download Manual De Motor Volvo Ved1 online for free? Are you looking for Manual De Motor Volvo Ved1 PDF? This is definitely going to save you time and cash in something you should think about.

Find Manual De Motor Volvo Ved1 :

homemade pork sausage patties recipe

home gym workout manual

[homelite hbc18 manual](#)

home loans guidelines

~~holt physics chapter review assess answers~~

home repair guide

holy rosary guide

home health 2014 recert calendar

~~holt physics chapter 3 test b answers~~

[holtzclaw ap biology guide answers ch 3](#)

home health agency manual chapter 11

holt physics problem workbook solutions manual

~~holt spanish cap 8 answer~~

home delivery fabricating the modern dwelling english
holt science spectrum chp 1test answers

Manual De Motor Volvo Ved1 :

[amelie a new musical vocal selections songbook fu download](#) - Apr 20 2023

web amelie a new musical vocal selections songbook fu an american in paris may 15 2023 vocal selections 14 selections from the tony award winning production presented in vocal line arrangements with piano accompaniment includes an american in paris but not for me for you for me for evermore i got

[amelie a new musical vocal selections songbook fu 2022](#) - Jan 05 2022

web new musical vocal selections songbook fu it is totally simple then previously currently we extend the connect to buy and make bargains to download and install amelie a new musical vocal selections songbook fu as a result simple

amelie a new musical vocal selections songbook fu pdf - Jun 10 2022

web amelie a new musical vocal selections songbook fu 2 8 downloaded from uniport edu ng on june 17 2023 by guest bells so what solar somethin else the theme tune up vierd blues what it is and dozens more top tunes essential for every jazz fan looking for a particular song check out the real book songfinder here

amelie a new musical songbook apple books - Jun 22 2023

web aug 1 2017 this folio including a dozen vocal selections from the 2017 broadway musical based on the 2001 film of the same name features vocal line arrangements with piano accompaniment songs a better haircut the girl with the glass goodbye amelie halfway the late nino quincampoix sister s pickle

amelie a new musical vocal selections - Dec 16 2022

web amelie a new musical vocal selections there are no reviews yet write a review item 241528 availability in stock notify me when item is back in stock price 17 99 quantity description reviews 0 this folio including a dozen vocal selections from the 2017 broadway musical based on the 2001 film of the same name features

[discover the best ebooks audiobooks magazines sheet music](#) - Nov 15 2022

web we would like to show you a description here but the site won t allow us

amelie a new musical vocal selections songbook fu pdf 2023 - Apr 08 2022

web amelie a new musical vocal selections songbook fu pdf reviewing amelie a new musical vocal selections songbook fu pdf unlocking the spellbinding force of linguistics in a fast paced world fueled by information and interconnectivity the spellbinding force of linguistics has acquired newfound prominence its capacity to evoke emotions

amelie a new musical vocal selections songbook fu pdf nita - Sep 13 2022

web may 21 2023 all we provide amelie a new musical vocal selections songbook fu pdf and numerous book collections from fictions to scientific research in any way in the middle of them is this amelie a new musical vocal selections songbook fu pdf that can be your partner offbeat bride ariel meadow stallings 2019 09 17 newly updated for a new

amelie a new musical vocal selections songbook fu pdf - Oct 14 2022

web amelie a new musical vocal selections songbook fu 1 7 downloaded from uniport edu ng on april 1 2023 by guest amelie a new musical vocal selections songbook fu this is likewise one of the factors by obtaining the soft documents of this amelie a new musical vocal selections songbook fu by online you might not

[amelie musical review broadway pdf prof](#) - Feb 06 2022

web this folio including a dozen vocal selections from the 2017 broadway musical based on songs a better haircut the girl with the glass goodbye amelie halfway the late average customer review be the first to review this item amelie a new musical vocal selections download free epub pdf

amelie a new musical vocal selections songbook fu copy - Mar 07 2022

web amelie a new musical songbook 2017 08 01 vocal selections this folio including a dozen vocal selections from the 2017 broadway musical based on the 2001 film of the same name features vocal line arrangements with piano accompaniment songs a better haircut the girl with the glass goodbye

amelie a new musical vocal selections songbook fu pdf - May 09 2022

web stay sheet music amelie a new musical vocal selections songbook fu downloaded from ftp bonide com by guest lowery alessandra 13 the musical songbook hal leonard corporation easy piano songbook a musical drama biopic chronicling p t barnum played by hugh jackman and his founding of the barnum bailey circus this

amelie a new musical vocal selections amazon com - May 21 2023

web aug 1 2017 this folio including a dozen vocal selections from the 2017 broadway musical based on the 2001 film of the same name features vocal line arrangements with piano accompaniment songs a better haircut the girl with the glass goodbye amelie halfway the late nino quincampoix sister s pickle stay thin air times are

amelie a new musical vocal selections songbook für gesang - Jan 17 2023

web amelie a new musical vocal selections songbook für gesang messe daniel tysen nathan isbn 9781495099786 kostenloser versand für alle bücher mit versand und verkauf duch amazon

amelie a new musical vocal selections songbook fu pdf pdf - Jul 11 2022

web this amelie a new musical vocal selections songbook fu pdf can be taken as with ease as picked to act the amateurs jordan harrison 2019 an intrepid troupe of pageant players races across medieval europe struggling to outrun the black death the arrival of a mysterious outsider sends hollis

amelie a new musical vocal selections songbook fu pdf mx - Jul 23 2023

web amelie a new musical vocal selections songbook fu 1 amelie a new musical vocal selections songbook fu rock the audition class with the countess the lightning thief tuck everlasting the musical moulin rouge the musical i love i hate i miss my sister carrie the musical vocal selections amelie a new musical beetlejuice bright star

amelie a new musical vocal selections songbook fu full pdf - Feb 18 2023

web amelie a new musical vocal selections songbook fu that can be your partner amelie a new musical vocal selections songbook fu downloaded from logb fonedog com by guest riley matthews mean girls hal leonard corporation vocal selections this matching folio to the 2019 broadway musical based in the 1988 film of the same name

amélie a new musical vocal selections hal leonard online - Aug 24 2023

web series vocal selections format softcover composers daniel messé nathan tysen this folio including a dozen vocal selections from the 2017 broadway musical based on the 2001 film of the same name features vocal line arrangements with piano accompaniment

amélie musical wikipedia - Aug 12 2022

web amélie is a musical based on the 2001 romantic comedy film of the same name with music by daniel messé lyrics by messé and nathan tysen and a book by craig lucas the musical premiered at berkeley repertory theatre in september 2015 the musical opened on broadway in the walter kerr theatre on march 9 2017 first preview april 3rd 2017

amelie a new musical vocal selections songbook fu pdf ftp - Mar 19 2023

web amelie a new musical vocal selections songbook fu 3 3 amelie a new musical songbook hal leonard corporation vocal selections the new york times calls this tony award winning adam guettel musical the most intensely romantic score of any broadway musical since west side story 10 songs are included in this collection plus

descargar pdf inglés 3 y 4 medio rb student s book - Sep 04 2022

web libro de texto del estudiante ingles 3ro tercero medio activity book pdf chile mineduc 2023 descargar abrir aqui en esta portal web oficial del chile ministerio de

libro de inglés 3º medio 2023 pdf descargar - Aug 15 2023

web our books with this one merely said the libro 3 medio ingles 2013 is universally compatible gone any devices to read lectures on computation richard p feynman

libro de ingles 3 medio comunidad escolar chile - Mar 10 2023

web descargar guía didáctica del docente inglés 3 medio 2023 en pdf la guía didáctica del docente inglés 3 medio es una herramienta muy útil para el docente de inglés de 3º

libro de inglés 3 y 4 medio 2023 descarga pdf - Apr 11 2023

web aquí puede descargar el libro de inglés tercero medio del ministerio de educación de chile en formato pdf para acceder al material completo utiliza el rut y contraseña

libro de inglés 3 medio 2023 mineduc mineduc libros - Oct 05 2022

web it is your certainly own epoch to feat reviewing habit along with guides you could enjoy now is libro 3 medio ingles 2013 below honour of kings spanish 1 ellen gerwitz 2013 01

libro de inglés 3 medio 2023 mineduc libros mineduc digital - Jan 08 2023

web el libro de inglés para el tercer año medio completo en formato pdf está disponible para descargar gratis desde la web del ministerio de educación de chile este manual

libro de inglés 3 básico 2023 mineduc libros mineduc digital - Sep 23 2021

libro 3 medio ingles 2013 pdf uniport edu - Jun 13 2023

web inglés 3 y 4 medio rb student s book estudiante o docente descarga los textos escolares 2023 descargas objetivos clasificaciones inglés 3 y 4 medio student s

guía de inglés tercero medio con respuestas mineduc libros - Dec 07 2022

web libro de texto inglés 3 y 4 medio rb student s book 2023 descargar aquí bienvenido a textodelestudiante en esta entrada puedes conseguir la descarga en pdf

libro 3 medio ingles 2013 pdf uniport edu - Jan 28 2022

web jul 16 2023 you may not be perplexed to enjoy all books collections libro 3 medio ingles 2013 that we will extremely offer it is not in this area the costs its nearly what you need

libro de ingles 3 año básico pdf alimentos scribd - Feb 26 2022

web libro de texto del estudiante ingles 3ro tercero medio students book pdf chile mineduc 2023 descargar abrir aqui en esta pagina web oficial del chile ministerio de

texto del estudiante ingles 3 medio activity book 2023 - Jun 01 2022

web save save libro de ingles 3 año básico for later 100 1 100 found this document useful 1 vote 280 views 162 pages libro de ingles 3 año básico original title libro

libro 3 medio ingles 2013 pdf uniport edu - Oct 25 2021

libro 3 medio ingles 2013 pdf uniport edu - Apr 30 2022

web jul 21 2023 right here we have countless ebook libro 3 medio ingles 2013 and collections to check out we additionally offer variant types and plus type of the books to

libro 3 medio ingles 2013 uniport edu - Dec 27 2021

web libro de inglés 3 básico 2023 descargar pdf aquí puede descargar el libro de inglés tercero básico del ministerio de educación de chile en formato pdf para acceder al

libro de texto del estudiante ingles 3 medio students book 2023 - Mar 30 2022

web jul 29 2023 libro 3 medio ingles 2013 when people should go to the book stores search foundation by shop shelf by shelf it is essentially problematic this is why we

student s book curriculum nacional mineduc chile - Nov 06 2022

web en esta pagina oficial gracias a el ministerio de educacion de chile mineduc se deja descargar completo y ver los textos libros escolares de 3ro tercero medio 2023 en

libro 3 medio ingles 2013 pdf uniport edu - Jul 14 2023

web aug 11 2023 the libro 3 medio ingles 2013 it is certainly simple then previously currently we extend the partner to purchase and make bargains to download and install libro 3

inglés 3 y 4 medio rb student s book curriculum inicio - May 12 2023

web libro de ingles 3 medio libro de inglés 3 la mitad 2 021 pdf para su descarga por todos los estudiantes y profesores a través del ministerio de educación ministerio de

cuaderno de actividades inglés 3º medio descargar - Feb 09 2023

web english 3 y 4 medio get real student s book ruby inostroza domínguez licenciado en lengua y literatura inglesas universidad de chile pos título en idioma

textos libros escolares de 3 medio 2023 pdf chile - Aug 03 2022

web may 30 2023 profesorado de impartir asignaturas en ingles este libro ofrece una excelente ayuda ya que proporciona las estructuras frases y vocabulario que se

texto del estudiante ingles 3 medio students book 2023 - Nov 25 2021

libro 3 medio ingles 2013 pqr uiaf gov co - Jul 02 2022

web texto del estudiante ingles 3 medio students book 2023 en pdf asignatura ingles curso 3ro tercero medio editorial rb edicion chile ministerio de educacion mineduc

chapter 16 thermal energy and heat videos lessons - Nov 08 2022

web what is thermal energy definition examples thermal energy is related to the movement of particles in an object this motion can generate heat

11 1 temperature and thermal energy physics openstax - Oct 07 2022

web the thermal energy is the average potential energy of the particles in a system the thermal energy is the total sum of the potential energies of the particles in a system the thermal energy is the average kinetic energy of the particles due to the interaction among the particles in a system

quiz worksheet properties of thermal energy study com - Jul 04 2022

web 1 what is heat the creation of thermal energy in an object or system the destruction of thermal energy in an object or system the transfer of thermal energy from one object or system to

chapter 5 thermal energy test science quiz quizizz - May 02 2022

web play this game to review science the measure of the average kinetic energy in the particles of a substance

what is thermal energy article khan academy - Mar 12 2023

web thermal energy refers to the energy contained within a system that is responsible for its temperature heat is the flow of thermal energy a whole branch of physics thermodynamics deals with how heat is transferred between different systems and how work is done in the process see the 1st law of thermodynamics

thermal energy worksheet answer key pdf scribd - Aug 17 2023

web thermal energy worksheet answer key read online for free scribd is the world s largest social reading and publishing site open navigation menu physical science specialization reviewer 494 items with rationalization pdf physical science specialization reviewer 494 items with rationalization pdf

quiz quizizz - Jun 03 2022

web 1 multiple choice in the formula which quantity represents the specific heat 2 multiple choice the specific heat of copper is 0 385 j g c which equation would you use to calculate the amount of heat needed to raise the temperature of 0 75 g of copper from 7 c to 29 c 3 multiple choice

glencoe physical science chapter 5 thermal energy flashcards - Feb 11 2023

web learn test match created by dino emily terms in this set 83 moving particles in matter atoms ions molecules have energy kinetic temperature of an object the measure of the average kinetic energy of the particles that make up an object when temperature of an object increases its kinetic energy increases

physical science chapter 5 thermal energy worksheet 1 answer key - Jul 16 2023

web december 9 2022 by tample physical science chapter 5 thermal energy worksheet 1 answer key there are many online resources for free worksheets in physical science whether you are a teacher or parent these worksheets are available in physics chemistry and meteorology

thermal energy and matter 16 1 flashcards quizlet - Apr 13 2023

web thermal energy depends on the mass temperature and phase solid liquid or gas of an object what causes thermal

expansion thermal expansion occurs when particles of matter move farther apart as temperature increases

thermal energy part 1 of 3 nasa - Aug 05 2022

web the warmth that they're feeling is called thermal energy and it is a form of radiation infrared radiation that we perceive as heat

thermal energy read physics ck 12 foundation - Sep 06 2022

web practice all modalities thermal energy this unusual landscape is found in the hottest place in the u s death valley california the temperature of the air near the ground can be as high as 57 c 134 f and that's in the shade if you can find any the temperature of the sand in the baking sun can be much higher

16 1 thermal energy and matter flashcards quizlet - Dec 09 2022

web terms in this set 6 heat the transfer of thermal energy from one object to another because of a difference in temperature temperature a measurement of how hot or cold an object is compared to a reference point absolute zero a

physical science 1st edition solutions and answers quizlet - Jan 10 2023

web now with expert verified solutions from physical science 1st edition you'll learn how to solve your toughest homework problems our resource for physical science includes answers to chapter exercises as well as detailed information to walk you through the process step by step

lesson exploring energy kinetic and potential - Dec 29 2021

web aug 30 2021 students make sense of kinetic and potential energy including various types of potential energy chemical gravitational elastic and thermal energy they identify everyday examples of these energy types as well as the mechanism of corresponding energy transfers

thermal energy mcgraw hill education - Jun 15 2023

web physical science chapter 6 thermal energy thermal energy your results the correct answer for each question is indicated by a 1 thermal energy is the of the particles in a material is the thermal energy that flows from a material with a higher temperature to one with a lower temperature

chapter 16 thermal energy and heat henry county schools - Feb 28 2022

web thermal energy depends on the mass temperature and phase solid liquid or gas of an object thermal expansion occurs when particles of matter move farther apart as temperature increases thermal expansion is an increase in the volume of a material due to a temperature increase

what is heat lesson teachengineering - Jan 30 2022

web oct 31 2021 explain that heat is the flow of energy from hot materials to cold materials describe that molecules in a material begin to vibrate or move more quickly when the material is heated identify conduction as heat transfer within and

between solids identify convection as heat transfer involving gases or liquids

physical science thermal energy chapter 5 worksheet quizlet - May 14 2023

web flashcards learn test match created by allisondayhoward17 terms in this set 12 temperature the increases when the average kinetic energy of the particles in a material increases radiation thermal energy transfer that does not require matter is heat thermal energy that flows from a higher to a lower temperature is

chapter 5 thermal energy houston independent school district - Apr 01 2022

web how does thermal energy change the thermal energy of an object changes when heat flows into or out of the object you can use the following equation to calculate the change in thermal energy change in thermal energy j mass kg change in temperature c specific heat j kg c q m t f t i c