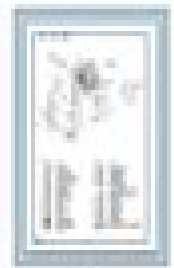
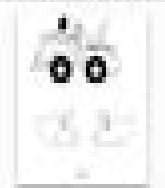
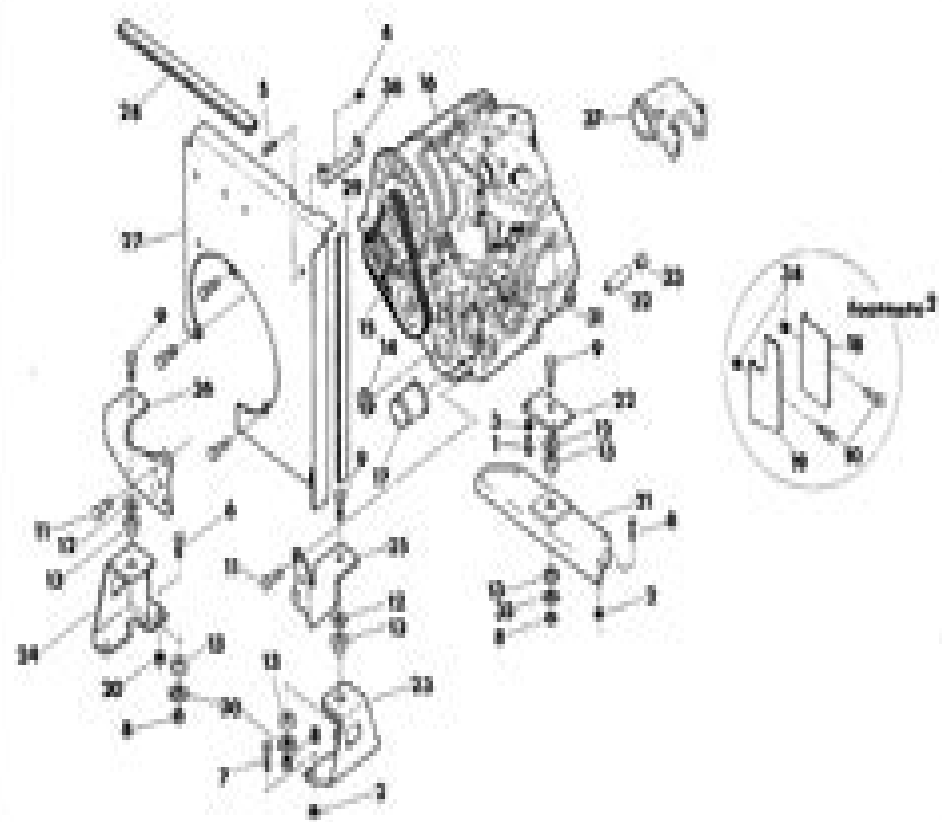




Page Thumbnails X



DEUTZ DIESEL ENGINE



Manual For 2300 Ditch Witch

Rachel Sandford



Manual For 2300 Ditch Witch:

Unveiling the Power of Verbal Beauty: An Emotional Sojourn through **Manual For 2300 Ditch Witch**

In some sort of inundated with displays and the cacophony of immediate connection, the profound energy and emotional resonance of verbal artistry usually fade into obscurity, eclipsed by the continuous onslaught of sound and distractions. Yet, situated within the lyrical pages of **Manual For 2300 Ditch Witch**, a captivating function of fictional brilliance that impulses with fresh feelings, lies an wonderful trip waiting to be embarked upon. Published by way of a virtuoso wordsmith, this mesmerizing opus instructions visitors on a mental odyssey, softly revealing the latent potential and profound impact stuck within the intricate internet of language. Within the heart-wrenching expanse of the evocative examination, we shall embark upon an introspective exploration of the book is key themes, dissect their charming writing type, and immerse ourselves in the indelible impression it leaves upon the depths of readers souls.

https://staging.conocer.cide.edu/About/publication/Download_PDFS/marriage%20same%20sex%20essay.pdf

Table of Contents Manual For 2300 Ditch Witch

1. Understanding the eBook Manual For 2300 Ditch Witch
 - The Rise of Digital Reading Manual For 2300 Ditch Witch
 - Advantages of eBooks Over Traditional Books
2. Identifying Manual For 2300 Ditch Witch
 - Exploring Different Genres
 - Considering Fiction vs. Non-Fiction
 - Determining Your Reading Goals
3. Choosing the Right eBook Platform
 - Popular eBook Platforms
 - Features to Look for in an Manual For 2300 Ditch Witch
 - User-Friendly Interface
4. Exploring eBook Recommendations from Manual For 2300 Ditch Witch
 - Personalized Recommendations

- Manual For 2300 Ditch Witch User Reviews and Ratings
- Manual For 2300 Ditch Witch and Bestseller Lists
- 5. Accessing Manual For 2300 Ditch Witch Free and Paid eBooks
 - Manual For 2300 Ditch Witch Public Domain eBooks
 - Manual For 2300 Ditch Witch eBook Subscription Services
 - Manual For 2300 Ditch Witch Budget-Friendly Options
- 6. Navigating Manual For 2300 Ditch Witch eBook Formats
 - ePub, PDF, MOBI, and More
 - Manual For 2300 Ditch Witch Compatibility with Devices
 - Manual For 2300 Ditch Witch Enhanced eBook Features
- 7. Enhancing Your Reading Experience
 - Adjustable Fonts and Text Sizes of Manual For 2300 Ditch Witch
 - Highlighting and Note-Taking Manual For 2300 Ditch Witch
 - Interactive Elements Manual For 2300 Ditch Witch
- 8. Staying Engaged with Manual For 2300 Ditch Witch
 - Joining Online Reading Communities
 - Participating in Virtual Book Clubs
 - Following Authors and Publishers Manual For 2300 Ditch Witch
- 9. Balancing eBooks and Physical Books Manual For 2300 Ditch Witch
 - Benefits of a Digital Library
 - Creating a Diverse Reading Collection Manual For 2300 Ditch Witch
- 10. Overcoming Reading Challenges
 - Dealing with Digital Eye Strain
 - Minimizing Distractions
 - Managing Screen Time
- 11. Cultivating a Reading Routine Manual For 2300 Ditch Witch
 - Setting Reading Goals Manual For 2300 Ditch Witch
 - Carving Out Dedicated Reading Time
- 12. Sourcing Reliable Information of Manual For 2300 Ditch Witch
 - Fact-Checking eBook Content of Manual For 2300 Ditch Witch

- Distinguishing Credible Sources
- 13. Promoting Lifelong Learning
 - Utilizing eBooks for Skill Development
 - Exploring Educational eBooks
- 14. Embracing eBook Trends
 - Integration of Multimedia Elements
 - Interactive and Gamified eBooks

Manual For 2300 Ditch Witch Introduction

In the digital age, access to information has become easier than ever before. The ability to download Manual For 2300 Ditch Witch has revolutionized the way we consume written content. Whether you are a student looking for course material, an avid reader searching for your next favorite book, or a professional seeking research papers, the option to download Manual For 2300 Ditch Witch has opened up a world of possibilities. Downloading Manual For 2300 Ditch Witch provides numerous advantages over physical copies of books and documents. Firstly, it is incredibly convenient. Gone are the days of carrying around heavy textbooks or bulky folders filled with papers. With the click of a button, you can gain immediate access to valuable resources on any device. This convenience allows for efficient studying, researching, and reading on the go. Moreover, the cost-effective nature of downloading Manual For 2300 Ditch Witch has democratized knowledge. Traditional books and academic journals can be expensive, making it difficult for individuals with limited financial resources to access information. By offering free PDF downloads, publishers and authors are enabling a wider audience to benefit from their work. This inclusivity promotes equal opportunities for learning and personal growth. There are numerous websites and platforms where individuals can download Manual For 2300 Ditch Witch. These websites range from academic databases offering research papers and journals to online libraries with an expansive collection of books from various genres. Many authors and publishers also upload their work to specific websites, granting readers access to their content without any charge. These platforms not only provide access to existing literature but also serve as an excellent platform for undiscovered authors to share their work with the world. However, it is essential to be cautious while downloading Manual For 2300 Ditch Witch. Some websites may offer pirated or illegally obtained copies of copyrighted material. Engaging in such activities not only violates copyright laws but also undermines the efforts of authors, publishers, and researchers. To ensure ethical downloading, it is advisable to utilize reputable websites that prioritize the legal distribution of content. When downloading Manual For 2300 Ditch Witch, users should also consider the potential security risks associated with online platforms. Malicious actors may exploit vulnerabilities in unprotected websites to distribute malware or steal personal

information. To protect themselves, individuals should ensure their devices have reliable antivirus software installed and validate the legitimacy of the websites they are downloading from. In conclusion, the ability to download Manual For 2300 Ditch Witch has transformed the way we access information. With the convenience, cost-effectiveness, and accessibility it offers, free PDF downloads have become a popular choice for students, researchers, and book lovers worldwide. However, it is crucial to engage in ethical downloading practices and prioritize personal security when utilizing online platforms. By doing so, individuals can make the most of the vast array of free PDF resources available and embark on a journey of continuous learning and intellectual growth.

FAQs About Manual For 2300 Ditch Witch Books

How do I know which eBook platform is the best for me? Finding the best eBook platform depends on your reading preferences and device compatibility. Research different platforms, read user reviews, and explore their features before making a choice. Are free eBooks of good quality? Yes, many reputable platforms offer high-quality free eBooks, including classics and public domain works. However, make sure to verify the source to ensure the eBook credibility. Can I read eBooks without an eReader? Absolutely! Most eBook platforms offer webbased readers or mobile apps that allow you to read eBooks on your computer, tablet, or smartphone. How do I avoid digital eye strain while reading eBooks? To prevent digital eye strain, take regular breaks, adjust the font size and background color, and ensure proper lighting while reading eBooks. What the advantage of interactive eBooks? Interactive eBooks incorporate multimedia elements, quizzes, and activities, enhancing the reader engagement and providing a more immersive learning experience. Manual For 2300 Ditch Witch is one of the best book in our library for free trial. We provide copy of Manual For 2300 Ditch Witch in digital format, so the resources that you find are reliable. There are also many Ebooks of related with Manual For 2300 Ditch Witch. Where to download Manual For 2300 Ditch Witch online for free? Are you looking for Manual For 2300 Ditch Witch PDF? This is definitely going to save you time and cash in something you should think about. If you trying to find then search around for online. Without a doubt there are numerous these available and many of them have the freedom. However without doubt you receive whatever you purchase. An alternate way to get ideas is always to check another Manual For 2300 Ditch Witch. This method for see exactly what may be included and adopt these ideas to your book. This site will almost certainly help you save time and effort, money and stress. If you are looking for free books then you really should consider finding to assist you try this. Several of Manual For 2300 Ditch Witch are for sale to free while some are payable. If you arent sure if the books you would like to download works with for usage along with your computer, it is possible to download free trials. The free guides make it easy for someone to free access online library for download books to your device. You can get free download on free

trial for lots of books categories. Our library is the biggest of these that have literally hundreds of thousands of different products categories represented. You will also see that there are specific sites catered to different product types or categories, brands or niches related with Manual For 2300 Ditch Witch. So depending on what exactly you are searching, you will be able to choose e books to suit your own need. Need to access completely for Campbell Biology Seventh Edition book? Access Ebook without any digging. And by having access to our ebook online or by storing it on your computer, you have convenient answers with Manual For 2300 Ditch Witch To get started finding Manual For 2300 Ditch Witch, you are right to find our website which has a comprehensive collection of books online. Our library is the biggest of these that have literally hundreds of thousands of different products represented. You will also see that there are specific sites catered to different categories or niches related with Manual For 2300 Ditch Witch So depending on what exactly you are searching, you will be able to choose ebook to suit your own need. Thank you for reading Manual For 2300 Ditch Witch. Maybe you have knowledge that, people have search numerous times for their favorite readings like this Manual For 2300 Ditch Witch, but end up in harmful downloads. Rather than reading a good book with a cup of coffee in the afternoon, instead they juggled with some harmful bugs inside their laptop. Manual For 2300 Ditch Witch is available in our book collection an online access to it is set as public so you can download it instantly. Our digital library spans in multiple locations, allowing you to get the most less latency time to download any of our books like this one. Merely said, Manual For 2300 Ditch Witch is universally compatible with any devices to read.

Find Manual For 2300 Ditch Witch :

[marriage same sex essay](#)

markscheme 2014 ib math studies exam

massage state board practice test

[markscheme ib biology sl paper 2 tz2](#)

[marvel ultimate alliance ps2 sc user guide](#)

marschner s mineral nutrition of higher plants second edition

marthoma sunday school question paper intermediate

massey 35 manual

mas practica 1 workbook answers spanish

married by midnight a christmas story english edition

marvel annual report 2008

[martin yale bcs210 manual](#)

mascoell solution manual

marvel series 8 mark ii manual

marmouset a perdu son chien

Manual For 2300 Ditch Witch :

word splash activity worksheets k12 workbook - Oct 27 2022

web displaying all worksheets related to word splash activity worksheets are p spl blend activities unit 5 respecting others and yourself bbeeffoorree dduurriinngg aafftteerr bbddaa vocabulary word splash template s3 topic 4 air pollution grade 7 fitness reconstruction keyboarding essentials

14 321 free vocabulary worksheets busyteacher - Apr 01 2023

web busyteacher org offers 14 321 printable vocabulary worksheets in several different categories all of which are great for you to use with your students vocabulary is a key component in helping students with word building

word splash activity worksheets lesson worksheets - Sep 25 2022

web printable vocabulary word splash template 5 s3 topic 4 air pollution 6 2 grade 7 fitness 7 reconstruction 8 keyboarding essentials

how to use word splash for the classroom classful - May 02 2023

web here we ve listed a few of the best ways to modify word splash for your students you can play word splash while watching a video make predictions at the start of the video pause at intervals throughout the video to update your

word splash activity worksheets teacher worksheets - Jun 03 2023

web showing top 8 worksheets in the category word splash activity some of the worksheets displayed are p spl blend activities unit 5 respecting others and yourself bbeeffoorree dduurriinngg aafftteerr bbddaa vocabulary word splash template s3 topic 4 air pollution grade 7 fitness reconstruction keyboarding essentials

blank vocabulary word template tpt - Nov 27 2022

web use this simple template to help your students keep track of vocabulary each week and learn new words this file will help you do a word of the day with your students put these templates in a 3 ring binder then they ll copy the word of the day from the board look it up in the dictionary and complete the template this template includes a prediction

word splash activity worksheets printable worksheets - Jun 22 2022

web showing top 8 worksheets in the category word splash activity some of the worksheets displayed are p spl blend activities unit 5 respecting others and yourself bbeeffoorree dduurriinngg aafftteerr bbddaa vocabulary word splash template s3 topic 4 air pollution grade 7 fitness reconstruction keyboarding essentials

classroom games how to use word splash teachhub - Aug 05 2023

web oct 22 2014 introducing word splash word splash can be used for any topic and in any subject before introducing word splash decide on a topic and determine the most important vocabulary words or key concepts about that topic for this example we will be using the following terms slavery freedom conductor underground railroad

12 blank vocabulary worksheet templates word pdf - Oct 07 2023

web 12 blank vocabulary worksheet templates word pdf a strong vocabulary is much needed to enhance the depth of any language if you are a language teacher yourself you would often have to make your students fill up the vocabulary analysis worksheets to test their vocabulary glossary strength

free vocabulary template download in word google docs - Aug 25 2022

web vocabulary expand your vocabulary with ease using our classic and professional looking vocabulary templates choose from our ready made templates and customize them to suit your needs download for free and start expanding your vocabulary with examples such as spring season vocabulary chart graphic organizer flashcards

printable vocabulary word splash template - May 22 2022

web printable vocabulary word splash template yeah reviewing a books printable vocabulary word splash template could amass your close links listings phrases and examples new words so your english stays up to date colour headwords so you can find the word you are looking for quickly idiom finder 200 common learner error

english vocabulary workshop google slides and powerpoint template - Feb 16 2022

web free google slides theme and powerpoint template teaching new words to your students can be a very entertaining activity create a vocabulary workshop with this presentation adorned with doodles wavy shapes and different hues of yellow review the objectives methodology analysis and conclusions using pie charts maps or tables

blank vocabulary word cards editable template twinkl - Dec 29 2022

web a fun and easy way to build vocabulary these blank cards are a great way to help build students vocabulary fully editable and easy to use just type whatever words you d like into the templates and print they come in three different sizes so you can choose whichever one works best for you

template vocabulary word list words by theme vocabulary word - Mar 20 2022

web template vocabulary word list words by theme vocabulary word lists vocabulary english

start with a word splash organized classroom - Jul 04 2023

web a splash is a super simple way to get kids to activate prior knowledge build schema and make predictions about what they re going to learn it s also a way to quickly get an idea of your students level of understanding before you start teaching a new concept to help you guide future instruction

free vocabulary printable pack with reproducible templates - Feb 28 2023

web use our free vocabulary resource printable pack alongside your vocabulary lessons to help solidify new words and definitions along with synonyms and antonyms this printable pack goes great with daily skill building vocabulary

printable vocabulary word splash template pdf stage gapinc - Jul 24 2022

web printable vocabulary word splash template downloaded from stage gapinc com by guest skylar walls the book with no pictures walch publishing a comprehensive guide to help students develop basic writing competencies and to encourage them to continue writing for their own enjoyment and satisfaction read explore imagine

word splash template teaching resources teachers pay teachers - Jan 30 2023

web pptx use these design templates to create your own activity cards or task cards for literacy centers math centers writing centers etc these editable templates allow you to insert a text box so that you can enter your own word problems spelling tasks writing prompts math facts for fluency etc

word splash teaching strategy game what it is how to play - Sep 06 2023

web mar 25 2023 to make a word splash 1 choose key vocabulary related to the topic these words should be familiar to students but used within a different context 2 display chosen words at random angles on a visual you may choose to use chart paper or a projector consider distributing to students their own individual word splash template

download printable vocabulary definitions template pdf - Apr 20 2022

web select page size available a4 a5 letter half letter happy planner pocket filofax specify cutting marks for your student planner or notebook and download a print ready pdf sections available in this template word meaning

labelling the human reproductive system worksheet - Jun 30 2023

web jun 10 2021 labelling the organs of the male and female human reproductive system liveworksheets transforms your traditional printable worksheets into self correcting interactive exercises that the students can do online and send to the teacher

quiz worksheet anatomy of the male reproductive system - Jun 18 2022

web female reproductive system internal anatomy quiz male reproductive system external anatomy quiz meiosis i stages prophase i metaphase i anaphase i telophase i quiz meiosis ii definition

female reproductive system answers worksheets k12 workbook - Nov 11 2021

web showing 8 worksheets for female reproductive system answers worksheets are the female reproductive system work answers human female reproductive sys

female and male reproductive systems worksheet live worksheets - Sep 02 2023

web id 232529 27 05 2020 country code es country spain school subject natural science 1061921 main content reproductive

systems 1109799 female and male reproductive systems

reproductive system male and female worksheet live worksheets - Oct 11 2021

web jan 18 2021 language english en id 642095 18 01 2021 country code es country spain school subject natural science 1061921 main content reproductive system 2010175 drag and drop activity other contents

results for male and female reproductive systems ppt - Mar 16 2022

web female and male powerpointan teaching powerpoint detailing the different components of both the female and male reproductive systems slide 1 learning intention slide 2 what is the reproductive system slide 3 female reproductive system slide 4 ovaries slide 5 fallopian tubes slide 6 uterus slide 7 vagina and cervix slide 8 male

13 12 reproductive system worksheet answers medicine - May 18 2022

web sep 15 2022 13 12 reproductive system worksheet answers page id ruth lawson otago polytechnic dunedin new zealand 1 add the labels to the diagram of the reproductive system of a male dog shown below 2 fill in the table using the choices in the list below structure

the reproductive system review article khan academy - Jan 26 2023

web male reproductive gland that produces sperm and male hormones ovaries female reproductive gland that produces eggs and female hormones menstrual cycle pattern of events in females involving the development and release of an egg fertilization the process in sexual reproduction in which a male gamete and female gamete fuse to

practice the female reproductive system nagwa - Dec 13 2021

web download for desktop explore and practice nagwa s free online educational courses and lessons for math and physics across different grades available in english for egypt watch videos and use nagwa s tools and apps to help students achieve their full potential

the reproduction systems university of cincinnati - Aug 21 2022

web birth a female is born with a full set reproductive tract the female reproductive glands ovaries are located within the abdomen this release occurs roughly once a month as part of the menstrual cycle the ripe egg travels along the fallopian tube to the uterus the muscular sac in which it develops into an embryo and then fetus

human reproductive system labelling activity beyond twinkl - Feb 24 2023

web how can i reinforce learning of the human reproductive systems use this human reproductive system worksheet on the male and female reproductive systems to reinforce student learning students cut out the cards of the names and functions of both systems and place them in the correct place on the diagrams

female and male reproductive system worksheets learny kids - Jul 20 2022

web displaying top 8 worksheets found for female and male reproductive system some of the worksheets for this concept are

reproductive system work name reproductive system work reproductive systems biology 12 reproductive system sexual health education grade 5 human reproduction describing the male and female reproductive

male and female reproductive system worksheet live worksheets - Apr 28 2023

web sep 30 2020 worksheets male and female reproductive system male and female reproductive system missreyes member for 3 years 2 months age 10 level elementary language english en id 391680 30 09 2020 country code mx country mexico school subject natural science 1061921 main content human body 2012416

2 1 1 reproductive systems teacher answer sheet studocu - Dec 25 2022

web male reproductive system female reproductive system seminal vesicle prostate gland vas deferens epididymis 9 anus testicle scrotum rectum foreskin urethra penis bladder fallopian tube vulva vagina 5 ovaries cervix uterus reproductive systems teacher answer sheet

male and female reproductive systems labelling worksheet - Aug 01 2023

web feb 25 2016 a simple labelling worksheet for pupils to annotate parts of the male and female reproductive systems plus some extension questions used with a year 7 class

study the reproductive system with labeled diagrams and quizzes - May 30 2023

web oct 30 2023 reading time 4 minutes recommended video reproductive system 22 03 overview of the different organs of the male and female reproductive systems so you want to learn the anatomy of the reproductive system

26 1a overview of the male and female reproductive systems - Oct 23 2022

web jan 17 2023 the male reproductive system the human male reproductive system is a series of organs located outside of the body and around the pelvic region the primary direct function of the male reproductive system is to provide the male gamete or spermatozoa for fertilization of the ovum

human reproductive system male and female reproductive - Jan 14 2022

web testicles testes a pair of oval shaped organs masked in a pouch called the scrotum they are responsible for the production of sperms and the male hormone testosterone scrotum it is a sac like organ that hangs below the penis and behind it

ch 27 chapter review anatomy and physiology openstax - Feb 12 2022

web the reproductive systems of males and females begin to develop soon after conception a gene on the male s y chromosome called sry is critical in stimulating a cascade of events that simultaneously stimulate testis development and repress the development of female structures

male reproductive system worksheet teaching resources - Nov 23 2022

web 1 day ago pdf 258 03 kb biology male reproductive system labelling and definition tasks simple visually appealing

worksheets perfect for use in the classroom as homework or as revision resources this bundle includes worksheets and answer sheet with different levels of support so you can choose whichever best suits your students and

female and male reproductive systems interactive worksheet - Sep 21 2022

web female and male reproductive systems label the male and female reproductive systems say if the sentences are true or false order and label the main stages in pregnancy id 709819 language english

human reproduction reproduction ks3 biology bbc bitesize - Mar 28 2023

web the function of the male reproductive system is to produce sperm cells male gametes and release them inside a female the male reproductive system has two testes singular

the male and female reproductive systems worksheet - Oct 03 2023

web dec 31 2021 this interactive worksheet will help students understand the reproductive systems liveworksheets transforms your traditional printable worksheets into self correcting interactive exercises that the students can do online and send to the teacher

male and female reproductive system worksheets k12 - Apr 16 2022

web showing 8 worksheets for male and female reproductive system worksheets are male and female reproductive body parts male reproductive system reprod

standard practice for probability of detection analysis for - Sep 22 2023

web probability of detection analysis for hit miss data1 this standard is issued under the ed designation e2862 the number immediately following the designation indicates the year of original adoption or in the case of revision the year of last revision a number in parentheses indicates the year of last reapproval

astm e2862 23 standard practice for probability of detection - Jan 14 2023

web jan 7 2023 description 1 1 this practice covers the procedure for performing a statistical analysis on nondestructive testing hit miss data to determine the demonstrated probability of detection pod for a specific set of examination parameters

astm e2862 redline standard practice for - Jun 07 2022

web feb 1 2018 astm e2862 redline 2018 edition february 1 2018 standard practice for probability of detection analysis for hit miss data includes standard redline pdf there is no abstract currently available for this document

wk85422 revision of e2862 18 standard practice for probability - Feb 15 2023

web feb 23 2023 standards products work item astm wk85422 revision of e2862 18 standard practice for probability of detection analysis for hit miss data rationale e2862 is up for 5 year review details developed by subcommittee e07 10 committee e07 staff manager kristy straiton work item status date initiated 02 23 2023 technical contact

astm international astm e2862 12 standard practice for - Mar 04 2022

web jan 15 2012 it is the responsibility of the user of this standard to establish appropriate safety and health practices and determine the applicability of regulatory limitations prior to use document history astm e2862 23

[astm e2862 standard practice for probability of detection analysis](#) - May 18 2023

web jul 1 2023 astm e2862 2023 edition july 1 2023 standard practice for probability of detection analysis for hit miss data this practice covers the procedure for performing a statistical analysis on nondestructive testing hit miss data to determine the demonstrated probability of detection pod for a specific set of examination parameters

detection analysis for hit miss data astm standardization news - Aug 21 2023

web the new standard e2862 practice for probability of detection analysis for hit miss data has been developed by subcommittee e07 10 on specialized ndt methods part of astm international committee e07 on nondestructive testing

astm international s standards impact podcast explores - Sep 10 2022

web 11 17 2023 the latest episode of astm international s standards impact podcast looks at the world of advanced manufacturing and the role standards play to support the industry and shape the future experts sam ruben co founder and senior sustainability advisor at mighty buildings and adam norton associate director of the nerve center at

[e2709 standard practice for demonstrating astm international](#) - Jul 08 2022

web nov 7 2023 1 3 this approach may be used for demonstrating compliance with in process validation or lot release specifications 1 4 the system of units for this practice is not specified 1 5 this standard does not purport to address all of the safety concerns if any associated with its use it is the responsibility of the user of this standard to

astm e2862 23 techstreet - Apr 17 2023

web full description 1 1 this practice covers the procedure for performing a statistical analysis on nondestructive testing hit miss data to determine the demonstrated probability of detection pod for a specific set of examination parameters

astm international astm e2862 18 standard practice for - Jul 20 2023

web feb 1 2018 january 15 2012 standard practice for probability of detection analysis for hit miss data the pod analysis method described herein is based on a well known and well established statistical method it shall be used to quantify the demonstrated pod for a specific set of examination

astm e2862 18 standard practice for probability of detection - Apr 05 2022

web jan 2 2018 standards number astm e2862 18 standard number e2862 18 released 01 02 2018 status active pages 14 section 03 04 keywords hit miss analysis probability of detection pod pod analysis penetrant pod

astm e2862 12 standard practice for probability of detection - Mar 16 2023

web astm e2862 12 standard practice for probability of detection analysis for hit miss data 1 1 this practice defines the procedure for performing a statistical analysis on nondestructive testing hit miss data to determine the demonstrated

probability of detection pod for a specific set of examination parameters

e2862 standard practice for probability of detection analysis for - Oct 23 2023

web apr 4 2018 1 1 this practice defines the procedure for performing a statistical analysis on nondestructive testing hit miss data to determine the demonstrated probability of detection pod for a specific set of examination parameters

standard test method for particle size distribution of granular - Nov 12 2022

web dec 11 2022 2 for referenced astm standards visit the astm website astm org or contact astm customer service at service astm org for annual book of astm standards volume information refer to the standard's document summary page on the astm website 3 the tyler ro tap model rx 19 1 has been used in developing this

standard test method for particle size astm international - May 06 2022

web sep 29 2022 scope 1 1 this test method covers the determination of the particle size distribution of granular activated carbon for the purposes of this test granular activated carbon is defined as a minimum of 90 of the sample weight being retained on a 180 µm standard sieve a u s mesh 80 sieve is equivalent to a 180 µm standard sieve

astm e2862 standard practice for probability of detection analysis - Jun 19 2023

web astm e2862 standard practice for probability of detection analysis for hit miss data hit miss analysis penetrant pod pod pod analysis probability of detection astm e2862 standard practice for probability of detection analysis for hit miss data document center inc

astm e2862 2018 madcad com - Dec 13 2022

web description of astm e2862 2018 astm e2862 18 active standard standard practice for probability of detection analysis for hit miss data

astm c1262 standard specification for segmental retaining wall - Aug 09 2022

web 1 scope 1 1 this test method covers the resistance to freezing and thawing of dry cast segmental retaining wall srw units see specification c1372 and related concrete units units are tested in a test solution that is either water or 3 saline solution depending on the intended use of the units in actual service

astm d2862 standard test method for particle size - Oct 11 2022

web astm d2862 standard test method for particle size distribution of granular activated carbon granular activated carbon particle size distribution astm d2862 standard test method for particle size distribution of granular activated carbon

standard test method for particle size distribution of granular - Feb 03 2022

web sep 29 2022 1 1 this test method covers the determination of the particle size distribution of granular activated carbon for the purposes of this test granular activated carbon is defined as a minimum of 90 of the sample weight being retained on a 180 µm standard sieve a u s mesh 80 sieve is equivalent to a 180 µm standard sieve

astm license agreement astm international standards - Jan 02 2022

web sep 26 2023 this product is copyrighted both as a compilation and as individual standards articles and or documents documents by astm astm 100 barr harbor drive west conshohocken pa 19428 2959 usa except as may be explicitly noted in the text of the individual documents