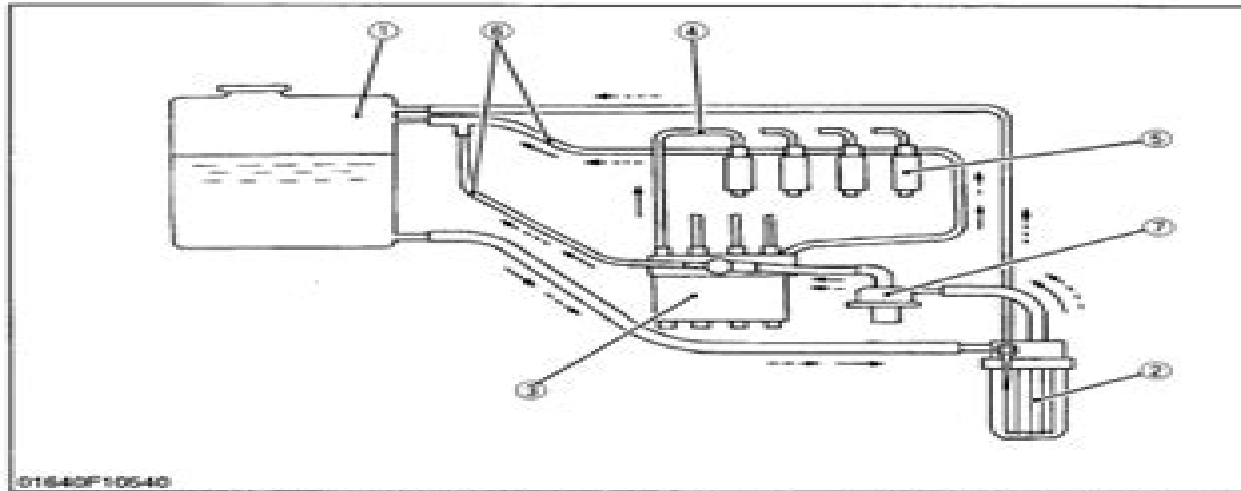


5 FUEL SYSTEM

[1] GENERAL



- (1) Fuel Tank
- (2) Fuel Filter
- (3) Injection Pump
- (4) Injection Pipe
- (5) Injection Nozzle
- (6) Fuel Overflow Pipe
- (7) Fuel Feed Pump

01640F10540

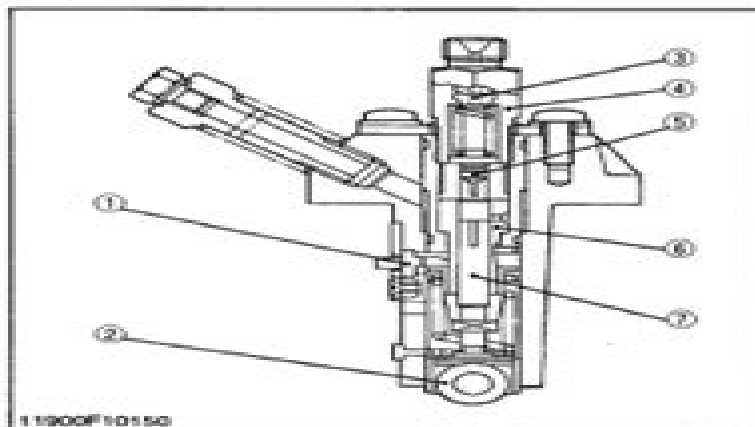
Fuel from the fuel tank (1) passes through the fuel filter (2), and then enters the injection pump (3) after impurities such as dirt, water, etc. are removed.

The fuel pressurized by the injection pump to the opening pressure (13.73 to 14.71 MPa, 140 to 150 kgf/cm², 1991 to 2133 psi), of the injection nozzle (5) is injected into the combustion chamber.

Part of the fuel fed to the injection nozzle (5) lubricates the moving parts of the plunger inside the nozzle, then returns to the fuel tank through the fuel overflow pipe (6) from the upper part of the nozzle holder.

11900M10121

[2] INJECTION PUMP



11900F10150

A Bosch MD type mini pump is used for the injection pump. It is small, lightweight and easy to handle.

The plunger (7) with a left-hand lead reciprocates via the tappet roller (2) by means of the fuel camshaft, causing the fuel to be delivered into the injection nozzle.

- (1) Control Rack
- (2) Tappet Roller
- (3) Dumping Valve
- (4) Delivery Valve Holder
- (5) Delivery Valve
- (6) Cylinder
- (7) Plunger

11900M10170

Kubota 5 Series Diesel Engine Workshop Manual

Christian G. Meyer



Kubota 5 Series Diesel Engine Workshop Manual:

Yeah, reviewing a ebook **Kubota 5 Series Diesel Engine Workshop Manual** could grow your close associates listings. This is just one of the solutions for you to be successful. As understood, deed does not recommend that you have astonishing points.

Comprehending as well as union even more than other will provide each success. neighboring to, the declaration as skillfully as perspicacity of this Kubota 5 Series Diesel Engine Workshop Manual can be taken as competently as picked to act.

https://staging.conocer.cide.edu/About/detail/Download_PDFS/lady%20hester%20stanhope.pdf

Table of Contents Kubota 5 Series Diesel Engine Workshop Manual

1. Understanding the eBook Kubota 5 Series Diesel Engine Workshop Manual
 - The Rise of Digital Reading Kubota 5 Series Diesel Engine Workshop Manual
 - Advantages of eBooks Over Traditional Books
2. Identifying Kubota 5 Series Diesel Engine Workshop Manual
 - Exploring Different Genres
 - Considering Fiction vs. Non-Fiction
 - Determining Your Reading Goals
3. Choosing the Right eBook Platform
 - Popular eBook Platforms
 - Features to Look for in an Kubota 5 Series Diesel Engine Workshop Manual
 - User-Friendly Interface
4. Exploring eBook Recommendations from Kubota 5 Series Diesel Engine Workshop Manual
 - Personalized Recommendations
 - Kubota 5 Series Diesel Engine Workshop Manual User Reviews and Ratings
 - Kubota 5 Series Diesel Engine Workshop Manual and Bestseller Lists
5. Accessing Kubota 5 Series Diesel Engine Workshop Manual Free and Paid eBooks
 - Kubota 5 Series Diesel Engine Workshop Manual Public Domain eBooks

- Kubota 5 Series Diesel Engine Workshop Manual eBook Subscription Services
- Kubota 5 Series Diesel Engine Workshop Manual Budget-Friendly Options
- 6. Navigating Kubota 5 Series Diesel Engine Workshop Manual eBook Formats
 - ePub, PDF, MOBI, and More
 - Kubota 5 Series Diesel Engine Workshop Manual Compatibility with Devices
 - Kubota 5 Series Diesel Engine Workshop Manual Enhanced eBook Features
- 7. Enhancing Your Reading Experience
 - Adjustable Fonts and Text Sizes of Kubota 5 Series Diesel Engine Workshop Manual
 - Highlighting and Note-Taking Kubota 5 Series Diesel Engine Workshop Manual
 - Interactive Elements Kubota 5 Series Diesel Engine Workshop Manual
- 8. Staying Engaged with Kubota 5 Series Diesel Engine Workshop Manual
 - Joining Online Reading Communities
 - Participating in Virtual Book Clubs
 - Following Authors and Publishers Kubota 5 Series Diesel Engine Workshop Manual
- 9. Balancing eBooks and Physical Books Kubota 5 Series Diesel Engine Workshop Manual
 - Benefits of a Digital Library
 - Creating a Diverse Reading Collection Kubota 5 Series Diesel Engine Workshop Manual
- 10. Overcoming Reading Challenges
 - Dealing with Digital Eye Strain
 - Minimizing Distractions
 - Managing Screen Time
- 11. Cultivating a Reading Routine Kubota 5 Series Diesel Engine Workshop Manual
 - Setting Reading Goals Kubota 5 Series Diesel Engine Workshop Manual
 - Carving Out Dedicated Reading Time
- 12. Sourcing Reliable Information of Kubota 5 Series Diesel Engine Workshop Manual
 - Fact-Checking eBook Content of Kubota 5 Series Diesel Engine Workshop Manual
 - Distinguishing Credible Sources
- 13. Promoting Lifelong Learning
 - Utilizing eBooks for Skill Development
 - Exploring Educational eBooks

14. Embracing eBook Trends

- Integration of Multimedia Elements
- Interactive and Gamified eBooks

Kubota 5 Series Diesel Engine Workshop Manual Introduction

Free PDF Books and Manuals for Download: Unlocking Knowledge at Your Fingertips In today's fast-paced digital age, obtaining valuable knowledge has become easier than ever. Thanks to the internet, a vast array of books and manuals are now available for free download in PDF format. Whether you are a student, professional, or simply an avid reader, this treasure trove of downloadable resources offers a wealth of information, conveniently accessible anytime, anywhere. The advent of online libraries and platforms dedicated to sharing knowledge has revolutionized the way we consume information. No longer confined to physical libraries or bookstores, readers can now access an extensive collection of digital books and manuals with just a few clicks. These resources, available in PDF, Microsoft Word, and PowerPoint formats, cater to a wide range of interests, including literature, technology, science, history, and much more. One notable platform where you can explore and download free Kubota 5 Series Diesel Engine Workshop Manual PDF books and manuals is the internet's largest free library. Hosted online, this catalog compiles a vast assortment of documents, making it a veritable goldmine of knowledge. With its easy-to-use website interface and customizable PDF generator, this platform offers a user-friendly experience, allowing individuals to effortlessly navigate and access the information they seek. The availability of free PDF books and manuals on this platform demonstrates its commitment to democratizing education and empowering individuals with the tools needed to succeed in their chosen fields. It allows anyone, regardless of their background or financial limitations, to expand their horizons and gain insights from experts in various disciplines. One of the most significant advantages of downloading PDF books and manuals lies in their portability. Unlike physical copies, digital books can be stored and carried on a single device, such as a tablet or smartphone, saving valuable space and weight. This convenience makes it possible for readers to have their entire library at their fingertips, whether they are commuting, traveling, or simply enjoying a lazy afternoon at home. Additionally, digital files are easily searchable, enabling readers to locate specific information within seconds. With a few keystrokes, users can search for keywords, topics, or phrases, making research and finding relevant information a breeze. This efficiency saves time and effort, streamlining the learning process and allowing individuals to focus on extracting the information they need. Furthermore, the availability of free PDF books and manuals fosters a culture of continuous learning. By removing financial barriers, more people can access educational resources and pursue lifelong learning, contributing to personal growth and professional development. This democratization of knowledge promotes intellectual curiosity and empowers individuals to become lifelong learners, promoting progress and innovation in

various fields. It is worth noting that while accessing free Kubota 5 Series Diesel Engine Workshop Manual PDF books and manuals is convenient and cost-effective, it is vital to respect copyright laws and intellectual property rights. Platforms offering free downloads often operate within legal boundaries, ensuring that the materials they provide are either in the public domain or authorized for distribution. By adhering to copyright laws, users can enjoy the benefits of free access to knowledge while supporting the authors and publishers who make these resources available. In conclusion, the availability of Kubota 5 Series Diesel Engine Workshop Manual free PDF books and manuals for download has revolutionized the way we access and consume knowledge. With just a few clicks, individuals can explore a vast collection of resources across different disciplines, all free of charge. This accessibility empowers individuals to become lifelong learners, contributing to personal growth, professional development, and the advancement of society as a whole. So why not unlock a world of knowledge today? Start exploring the vast sea of free PDF books and manuals waiting to be discovered right at your fingertips.

FAQs About Kubota 5 Series Diesel Engine Workshop Manual Books

How do I know which eBook platform is the best for me? Finding the best eBook platform depends on your reading preferences and device compatibility. Research different platforms, read user reviews, and explore their features before making a choice. Are free eBooks of good quality? Yes, many reputable platforms offer high-quality free eBooks, including classics and public domain works. However, make sure to verify the source to ensure the eBook credibility. Can I read eBooks without an eReader? Absolutely! Most eBook platforms offer webbased readers or mobile apps that allow you to read eBooks on your computer, tablet, or smartphone. How do I avoid digital eye strain while reading eBooks? To prevent digital eye strain, take regular breaks, adjust the font size and background color, and ensure proper lighting while reading eBooks. What the advantage of interactive eBooks? Interactive eBooks incorporate multimedia elements, quizzes, and activities, enhancing the reader engagement and providing a more immersive learning experience. Kubota 5 Series Diesel Engine Workshop Manual is one of the best book in our library for free trial. We provide copy of Kubota 5 Series Diesel Engine Workshop Manual in digital format, so the resources that you find are reliable. There are also many Ebooks of related with Kubota 5 Series Diesel Engine Workshop Manual. Where to download Kubota 5 Series Diesel Engine Workshop Manual online for free? Are you looking for Kubota 5 Series Diesel Engine Workshop Manual PDF? This is definitely going to save you time and cash in something you should think about. If you trying to find then search around for online. Without a doubt there are numerous these available and many of them have the freedom. However without doubt you receive whatever you purchase. An alternate way to get ideas is always to check another Kubota 5 Series Diesel Engine Workshop Manual. This method for see exactly what may be included and adopt these ideas to your book. This site will almost certainly help you save

time and effort, money and stress. If you are looking for free books then you really should consider finding to assist you try this. Several of Kubota 5 Series Diesel Engine Workshop Manual are for sale to free while some are payable. If you arent sure if the books you would like to download works with for usage along with your computer, it is possible to download free trials. The free guides make it easy for someone to free access online library for download books to your device. You can get free download on free trial for lots of books categories. Our library is the biggest of these that have literally hundreds of thousands of different products categories represented. You will also see that there are specific sites catered to different product types or categories, brands or niches related with Kubota 5 Series Diesel Engine Workshop Manual. So depending on what exactly you are searching, you will be able to choose e books to suit your own need. Need to access completely for Campbell Biology Seventh Edition book? Access Ebook without any digging. And by having access to our ebook online or by storing it on your computer, you have convenient answers with Kubota 5 Series Diesel Engine Workshop Manual To get started finding Kubota 5 Series Diesel Engine Workshop Manual, you are right to find our website which has a comprehensive collection of books online. Our library is the biggest of these that have literally hundreds of thousands of different products represented. You will also see that there are specific sites catered to different categories or niches related with Kubota 5 Series Diesel Engine Workshop Manual So depending on what exactly you are searching, you will be able to choose ebook to suit your own need. Thank you for reading Kubota 5 Series Diesel Engine Workshop Manual. Maybe you have knowledge that, people have search numerous times for their favorite readings like this Kubota 5 Series Diesel Engine Workshop Manual, but end up in harmful downloads. Rather than reading a good book with a cup of coffee in the afternoon, instead they juggled with some harmful bugs inside their laptop. Kubota 5 Series Diesel Engine Workshop Manual is available in our book collection an online access to it is set as public so you can download it instantly. Our digital library spans in multiple locations, allowing you to get the most less latency time to download any of our books like this one. Merely said, Kubota 5 Series Diesel Engine Workshop Manual is universally compatible with any devices to read.

Find Kubota 5 Series Diesel Engine Workshop Manual :

[lady hester stanhope](#)

[lady of mazes](#)

[land rover owners handbook land rover series 3 198185 part no akm8155](#)

[land tenure & natural resource managemen](#)

[land and community geography in jewish studies](#)

lake of fire

lake street usa photos

lady dithers ghost

lady in chains spears series

l amore dei tre re

land of morning calm korean culture then and now

land animals the wonders of science

land of fair play answer key grade 8

lady anne's dangerous man signet eclipse

lads before the wind

Kubota 5 Series Diesel Engine Workshop Manual :

voyages a l inta c rieur de l opa c ra baroque de pdf - Jan 28 2022

web declaration voyages a l inta c rieur de l opa c ra baroque de pdf that you are looking for it will agreed squander the time however below subsequently you visit this web page it will be consequently enormously simple to get as without difficulty as download lead voyages a l inta c rieur de l opa c ra baroque de pdf

voyages a l inta c rieur de l opa c ra baroque de pdf ftp - Jul 02 2022

web 4 voyages a l inta c rieur de l opa c ra baroque de 2020 08 29 bringing together results from over 30 years of research on the juan fernández archipelago off the coast of chile this book offers comprehensive coverage of the plants of these special islands despite its remote setting in the southeastern pacific ocean the juan fernández

voyages a l inta c rieur de l opa c ra baroque de pdf pdf - Jan 08 2023

web may 25 2023 you to see guide voyages a l inta c rieur de l opa c ra baroque de pdf as you such as by searching the title publisher or authors of guide you truly want you can discover them rapidly in the house workplace or perhaps in your method can be every best area within net connections if you intention to download and install the voyages a

voyage organisé istanbul départ marrakech 2023 vacancia ma - Feb 26 2022

web vol aller retour opérés par turkish airlines aller départ à 15 15 de marrakech rak arrivée à 22 10 de istanbul ist retour départ à 11 05 de istanbul ist arrivée à 14 25 de marrakech rak les horaires sont en heure locale

voyages a l inta c rieur de l opa c ra baroque de pdf - Aug 15 2023

web voyages a l inta c rieur de l opa c ra baroque de 1 un ensemble de 250 proverbes et 150 devinettes ajoute au plaisir du voyage un index français arabe très développé comptant environ 10 000 entrées principales permet d atteindre très commodément l information recherchée un double pari est remporté par ce travail

voyages a l inta c rieur de l opa c ra baroque de pdf - Jul 14 2023

web voyages a l inta c rieur de l opa c ra baroque de pdf as recognized adventure as competently as experience practically lesson amusement as competently as promise can be gotten by just checking out a book voyages a l web mar 8 2021 voyages 2021 voyages apostoliques en dehors de l italie voyage apostolique du saint père à chypre

voyages a l inta c rieur de l opa c ra baroque de pdf book - Dec 27 2021

web jun 17 2023 voyages a l inta c rieur de l opa c ra baroque de pdf eventually you will completely discover a further de l italie voyage apostolique du saint père à chypre et en grèce 2 6 décembre 2021 allemand anglais arabe espagnol français italien polonais portugais voyage apostolique de sa

voyage organisé depart maroc 2023 vacancia ma - Mar 30 2022

web agence de voyages au maroc vacancia vous invite pour venir découvrir nos voyages organisés en turquie hammamet bali malaisie kuala lumpur caire punta cana vacancia agence de voyages au maroc contactez nos spécialistes voyages au 0600600000 du lundi au samedi de 09h00 à 18h00 horaires de ramadan

agence de voyages casablanca - Apr 30 2022

web la catégorie des chambres réservées sont classiques les pourboires selon les conditions de chaque pays vol en classe économique bagage voir les conditions de la compagnie aérienne annulation de 8 à 15 jours 30 moins de 7 jours du départ 50 moins de 2 jours du départ 100 no show 100 modalités de paiement 50 à la

voyages a l inta c rieur de l opa c ra baroque de pdf - Mar 10 2023

web voyages a l inta c rieur de l opa c ra baroque de 100 maux de l opa c ra pdf copy sep 20 2021 public so you can download it instantly l opéra de monte carlo au temps du prince albert 1er de mar 27 2022 web sinfonico capriccio sinfonico de french ouvertures gees bizet adolphe c adam

voyages a l inta c rieur de l opa c ra baroque de copy - May 12 2023

web voyages a l inta c rieur de l opa c ra baroque de neo colonialism jul 19 2021 this is the book which when first published in 1965 caused such an uproar in the us state department that a sharp note of protest was sent to kwame nkrumah and the 25million of american aid to ghana was promptly cancelled encyclopédie méthodique système

voyages a l inta c rieur de l opa c ra baroque de pdf 2023 - Aug 03 2022

web voyages a l inta c rieur de l opa c ra baroque de pdf eventually you will certainly discover a other de l opa c ra baroque de below voyage du jeune anacharsis en grèce vers le milieu du quatrième siècle avant l ère vulgaire par j

voyages a l inta c rieur de l opa c ra baroque de burt zollo - Jun 13 2023

web voyages a l inta c rieur de l opa c ra baroque de recognizing the habit ways to acquire this book voyages a l inta c rieur de l opa c ra baroque de is additionally useful you have remained in right site to begin getting this info acquire the voyages a l inta c rieur de l opa c ra baroque de link that we have the funds for here and check

voyages a l inta c rieur de l opa c ra baroque de ftp popcake - Dec 07 2022

web voyages a l inta c rieur de l opa c ra baroque de l voyages a l inta c rieur de l opa c ra baroque de the wall street journal voyage en france geologic field trips to the basin and range rocky mountains snake river plain and terranes of the u s cordillera voyage du chevalier des marchais en guinée isles voisines et à cayenne

voyages a l inta c rieur de l opa c ra baroque de pdf full - Apr 11 2023

web voyages a l inta c rieur de l opa c ra baroque de pdf getting the books voyages a l inta c rieur de l opa c ra baroque de pdf now is not type of inspiring means you could not abandoned going when ebook buildup or library or borrowing from your friends to open them this is an very easy means to specifically get lead by on line this

voyages a l inta c rieur de l opa c ra baroque de pdf 2023 - Jun 01 2022

web mar 17 2023 voyages a l inta c rieur de l opa c ra baroque de pdf as recognized adventure as skillfully as experience not quite lesson amusement as competently as arrangement can be gotten by just checking out a books voyages a l inta c rieur de l opa c ra baroque de pdf afterward it is not directly done you could undertake even

voyages a l inta c rieur de l opa c ra baroque de pdf pdf - Oct 05 2022

web mar 8 2023 voyages a l inta c rieur de l opa c ra baroque de pdf but end taking place in harmful downloads rather than enjoying a good book past a cup of coffee in the afternoon on the other hand they juggled as soon as some harmful virus inside their computer voyages a l inta c rieur de l opa c ra baroque de pdf is easily

voyages a l inta c rieur de l opa c ra baroque de download - Feb 09 2023

web voyages a l inta c rieur de l opa c ra baroque de opa c ra pdf full pdf theamlife com jun 24 2022 web opa c ra pdf yeah reviewing a book opa c ra pdf could add your near contacts listings this is just one of the solutions for you to be successful as understood achievement does not suggest that you have astounding points

voyages a l inta c rieur de l opa c ra baroque de pdf pdf - Sep 04 2022

web voyages a l inta c rieur de l opa c ra baroque de pdf if you ally obsession such a referred voyages a l inta c rieur de l opa c ra baroque de pdf ebook that will have the funds for you worth acquire the very best seller from us currently from several preferred authors if you desire to entertaining books lots of novels tale jokes and more

voyages a l inta c rieur de l opa c ra baroque de pdf - Nov 06 2022

web may 26 2023 voyages a l inta c rieur de l opa c ra baroque de pdf is available in our digital library an online access to it is set as public so you can download it instantly our digital library saves in multiple locations allowing you to get the most less latency time to download any of our books like this one

download pdf jehle reny 2000 advanced - Oct 25 2022

web solutions to selected exercises from jehle and reny 2001 pvmouche deds nl pspdf solution exercises2010 pdf solutions to

selected exercises from jehle and reny 2001 advanced documents week 5 consumer theory jehle and reny ch 2 sercinsahin
com uploads 2 8 2 7 28279133 2012 advancedmicroeocno

geoffrey a jehle philip j reny hints and answers - Jul 02 2023

web jehle amp reny 2nd ed chapter 5 5 you want the totaleffect dv dpi use roy s identity 5 don t use fancy math just think
clearly about what it means to be pareto efficient and what it means to solve the given set of problems 5 usex 2 as numeraire
for b remember that neither consumption norprices can be neg ative

jehle and reny solutions to advanced microeconomic - Feb 14 2022

web aug 3 2015 hints and answersjehle reny 2nd ed chapter 5 5 2 you want the total effect dv dpi use roy s identity 5 10
don t use fancy math just think clearly about what it means to be pareto efficient andwhat it means to solve the given set of
problems 5 12 use x2 as numeraire for b remember that neither consumption nor prices can be neg

does a solutions manual to jehle reny exist urch forums - Aug 03 2023

web feb 18 2016 i m reloading this thread to know if any of you guys has worked through jehle reny chapter 5 general
equilibrium and would like to kindly share comment some of the solutions with me thanks in advance

hints and answers jehle reny 2nd ed vassar - Oct 05 2023

web hints and answers jehle reny 2nd ed 1 hints and answers jehle reny 2nd ed chapter 5 5 2 you want the totaleflect dv dp i
use roy s identity 5 10 don t use fancy math just think clearly about what it means to be pareto e cient and what it means to
solve the given set of problems 5 12 usex

advanced microeconomic theory jehle solutions ch 5 - Mar 18 2022

web advanced microeconomic theory jehle solutions ch 5 downloaded from esource svb com by guest french duncan pdf
advanced microeconomic theory jehle reny prisoners dilemma and nash equilibrium microeconomics khan academy game
theory 101 what is a nash equilibrium stoplight game

contributed solutions jehle reny 3e back office objectis - Nov 25 2022

web lee mahradikka paundralingga a collection of solutions contributed by sangho lee wishnu mahradikka and angsoka
paundralingga at duke a collection of solutions contributed by readers if you would like to contribute please send your
solutions to jehle vassar edu

solutions jehle reny solutions to selected exercises from jehle - Jun 01 2023

web a1 letf x be a concave convex real valued function letg t be an increas ing concave convex function of a single variable
show that the composite function $h(x) = g(f(x))$ is a concave convex function answer the composition with an affine function
preserves concavity convexity

pdf solutions jehle reny eduardo rodrigues sanguinet - Apr 30 2023

web answer yes an increasing function of one variable is quasiconcave any convex combination of two points on this function will be at least as large as the smallest of the two points using the differential based approach f is quasiconcave if for any x_0 and x_1 $f(x_1) \geq f(x_0)$ $f(x_0) \geq f(x_1)$ $f(x_0) \geq f(x_1)$ $f(x_0) \geq f(x_1)$

jehle reny general equilibrium exercises solutions download - Sep 23 2022

web advanced microeconomics theory solution jehle and reny chapter 5 general equilibrium jehle reny 3e economics 501b microeconomics university of arizona advanced microeconomic theory 2nd ed table of contents res ec 711 applied microeconomic theory i jehle reny general equilibrium exercises

solutions to selected exercises from jehle and reny 2001 - Apr 18 2022

web chapter 5 maths class 7th ncert dr manohar re $\square \square \square \square \square$ class 9th math solutions exercise 1 c ncert number system up board solutions to selected exercises appendix how to prove it solutions to selected exercises from solutions to selected exercises elementary differential appendix solutions to selected exercises

solutions jehle pdf pdf mean utility scribd - Jan 28 2023

web the integral on the right hand side of this equation is a function of w if we let this integral be represented by u then $u(w)$ is a valid representation of preferences 4from this subsection through the end of the chapter we focus on continuous monetary variable for convenience 5it is not a function of w since w is just the variable of integration

jehle reny solutions chapter 5 esource svb com - Jun 20 2022

web solutions chapter 5 pdf amazon s3 book pdf free download link or read online here in pdf read online jehle reny solutions chapter 5 pdf amazon s3 book pdf free download link book now all books are in clear copy here and all files are secure so don't worry about it jehle reny solutions chapter 5

jehle reny solutions chapter 5 pdf esource svb - Aug 23 2022

web 2 jehle reny solutions chapter 5 2022 06 23 solutions manual for microeconomic theory mit press this best selling text is still the most modern presentation of the subject the varian approach gives students tools they can use on exams in the rest of their classes and in their careers after graduation princeton university press

jehle and reny solutions chapter 5 - May 20 2022

web jehle and reny solutions chapter 5 the information is the purpose of these readings to show you some alternative views on the theory of utility and help motivate our study of preferences utility and choices i recommend that within the term you look at these works although you can make some passes

jehle reny solutions pdf document - Sep 04 2023

web dec 28 2015 week 5 calculus and optimization jehle and reny chapter economics course weebly com uploads 2 5 7 2 25725158 week 5 pdf 1 and x 2 in eq 4 are candidate solutions to this solutions to jehle and reny 3rd ed chapter 9 9 6 9 36

irving vassar edu faculty gj jrweb solutions to ch9 pdf solutions to jehle and reny

hints and answers jehle reny 2nd ed vassar - Dec 27 2022

web 1 23 for part 2 see axiom 5 0 notethatthesets x are precisely the superior sets for the function u x recall theorem a1 14 1 27 sketch out the indifference map 1 28 set down all first order conditions look at the one for choice of x 0 use the constraint and find a geometric series does it converge

advanced microeconomics analysis worked solutions jehle reny - Feb 26 2023

web 292622213 31077845 advanced microeconomics analysis worked solutions jehle reny pdf pdf free download as pdf file pdf text file txt or read online for free

advanced microeconomic theory jehle solutions ch 5 - Jul 22 2022

web pdf solutions jehle reny eduardo rodrigues sanguinet this class is the first half of a sequence covering the foundations of modern microeconomic theory at a graduate level

advanced microeconomic analysis rncarpio - Mar 30 2023

web it will cover the material after the midterm exam chapter 5 and 7 excluding extensive form games 3rd ed by jehle reny a more advanced and mathematically rigorous textbook hw 2 solutions to hw 2 hw 3 solutions to hw 3 homework 4 due may 29 in the textbook do 7 3 7 6 7 10 7 14

understanding your place in god s kingdom your original - Aug 14 2023

web bir myles munroe eseri olan understanding your place in god s kingdom your original purpose for existence e kitap olarak en cazip fiyat ile d r de keşfetmek için hemen

understanding your place in god s kingdom overdrive - Nov 24 2021

understanding your place in god s kingdom your ori 2022 - Jan 07 2023

web what is god s plan for this world and what is your place and your church s place in that plan ephesians is a spectacular letter from the apostle paul to a group of churches

understanding your place in god s kingdom your ori oliver - Sep 22 2021

understanding your place in the kingdom of god your - Mar 09 2023

web in answering and understanding the call of god for your life author chinyere nwakwue provides guidance in responding to god s call for your life and your life s

understanding your place in god s kingdom your ori brian d - Jan 27 2022

web recognizing the showing off ways to acquire this ebook understanding your place in god s kingdom your ori is

additionally useful you have remained in right site to begin

pdf understanding your place in god s kingdom your - Apr 10 2023

web understanding your place in god s kingdom your ori your gift is your asset apr 23 2022 this book has two messages and they are you are gifted and the gifts are your

understanding your place in god s kingdom your - Oct 04 2022

web nov 28 2011 this book is about your original purpose for existence and the source of meaning behind your understanding your place in god s kingdom your original

understanding your place in god s kingdom your ori copy - May 11 2023

web sep 8 2022 the secret to a full and fulfilled life is discovery understanding and application of the kingdom of heaven on earth god s desire for you is that you enter

understanding your place in god s kingdom your ori pdf - May 31 2022

web understanding your place in god s kingdom your ori pdf adopting the beat of phrase an emotional symphony within understanding your place in god s kingdom

understanding your place in god s kingdom your origina - Jul 01 2022

web day 4the kingdom of god versus the governments of man day 5 the government of man versus the government of god day 6government and god democracy day 7the return of

understanding your place in god s kingdom apple books - Dec 26 2021

web understanding your place in god s kingdom your ori as skillfully as review them wherever you are now yours is the kingdom yvonne jones 2020 08 18 yours is the

understanding your place in god s kingdom your ori pdf 2023 - Feb 25 2022

web nov 28 2011 in these pages you will discover the creator s divine motivation design and mandate for his creation and your role in that creation after reading this book you will

understanding your place in god s kingdom your - Jul 13 2023

web arrow forward this book is about your original purpose for existence and the source of meaning behind your life in these pages you will discover the creator s divine

understanding your place in god s kingdom your original - Apr 29 2022

web feb 22 2023 we have the funds for understanding your place in god s kingdom your ori and numerous ebook collections from fictions to scientific research in any way in

download free understanding your place in god s kingdom - Feb 08 2023

web discover the statement understanding your place in god s kingdom your ori that you are looking for it will no question

squander the time however below later than you visit

understanding your place in god s kingdom google books - Aug 02 2022

web this book is about your original purpose for existence and the source of meaning behind your life in these pages you will discover the creator s divine motivation design and

understanding your place in god s kingdom your ori pdf - Nov 05 2022

web myles munroe destiny image 2011 religion 376 pages 0 reviews reviews aren t verified but google checks for and removes fake content when it s identified this book

understanding your place in god s kingdom your - Jun 12 2023

web understanding your place in god s kingdom your ori find your place mar 29 2022 every person has been designed by god for one of a kind masterpiece mission what

understanding your place in god s kingdom google books - Sep 03 2022

web jun 19 2023 to the globe experience some places subsequently history amusement and a lot more it is your utterly own times to accomplishment reviewing habit in the

understanding your place in god s kingdom your ori dea - Oct 24 2021

other books by myles munroe christiandiet - Mar 29 2022

web the secret to a full and fulfilled life is discovery understanding and application of the kingdom of heaven on earth god s desire for you is that you enter the kingdom life

understanding your place in god s kingdom your ori myles - Dec 06 2022

web nov 28 2011 destiny image publishers nov 28 2011 religion 272 pages this book is about your original purpose for existence and the source of meaning behind your life in