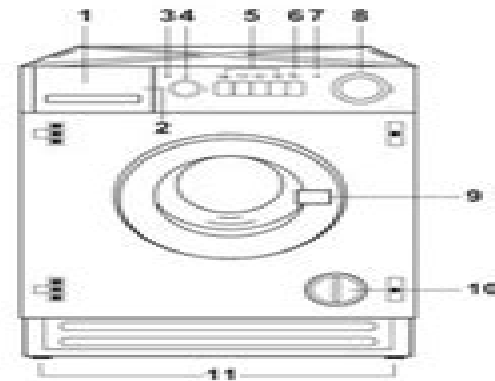





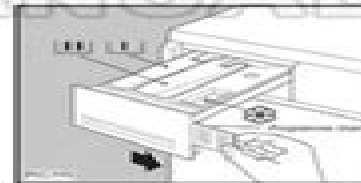
# Description of the Appliance

- 1 Detergent dispenser drawer
- 2 Programme guide
- 3 Drying indicator light
- 4 Drying time selector dial
- 5 "Option" buttons
- 6 "ON/OFF" button
- 7 "Mains-on" light
- 8 Programme selector dial
- 9 Door opening handle
- 10 Filter
- 11 Adjustable feet



## Detergent dispenser drawer

-  Prewash
-  Main wash
-  Fabric softener



# Electrolux Washing Machine Aqualux 1200 Manual

**F Rizvi**

A decorative graphic element consisting of a horizontal light blue bar with a rounded right end, overlapping a red circular gradient shape.

## **Electrolux Washing Machine Aqualux 1200 Manual:**

Recognizing the habit ways to acquire this ebook **Electrolux Washing Machine Aqualux 1200 Manual** is additionally useful. You have remained in right site to begin getting this info. acquire the Electrolux Washing Machine Aqualux 1200 Manual member that we have enough money here and check out the link.

You could buy guide Electrolux Washing Machine Aqualux 1200 Manual or get it as soon as feasible. You could quickly download this Electrolux Washing Machine Aqualux 1200 Manual after getting deal. So, taking into account you require the ebook swiftly, you can straight acquire it. Its correspondingly agreed simple and thus fats, isnt it? You have to favor to in this express

<https://staging.conocer.cide.edu/data/book-search/HomePages/mini%20cooper%20service%20manual%20bentley%20publishers.pdf>

## **Table of Contents Electrolux Washing Machine Aqualux 1200 Manual**

1. Understanding the eBook Electrolux Washing Machine Aqualux 1200 Manual
  - The Rise of Digital Reading Electrolux Washing Machine Aqualux 1200 Manual
  - Advantages of eBooks Over Traditional Books
2. Identifying Electrolux Washing Machine Aqualux 1200 Manual
  - Exploring Different Genres
  - Considering Fiction vs. Non-Fiction
  - Determining Your Reading Goals
3. Choosing the Right eBook Platform
  - Popular eBook Platforms
  - Features to Look for in an Electrolux Washing Machine Aqualux 1200 Manual
  - User-Friendly Interface
4. Exploring eBook Recommendations from Electrolux Washing Machine Aqualux 1200 Manual
  - Personalized Recommendations
  - Electrolux Washing Machine Aqualux 1200 Manual User Reviews and Ratings

- Electrolux Washing Machine Aqualux 1200 Manual and Bestseller Lists
- 5. Accessing Electrolux Washing Machine Aqualux 1200 Manual Free and Paid eBooks
  - Electrolux Washing Machine Aqualux 1200 Manual Public Domain eBooks
  - Electrolux Washing Machine Aqualux 1200 Manual eBook Subscription Services
  - Electrolux Washing Machine Aqualux 1200 Manual Budget-Friendly Options
- 6. Navigating Electrolux Washing Machine Aqualux 1200 Manual eBook Formats
  - ePub, PDF, MOBI, and More
  - Electrolux Washing Machine Aqualux 1200 Manual Compatibility with Devices
  - Electrolux Washing Machine Aqualux 1200 Manual Enhanced eBook Features
- 7. Enhancing Your Reading Experience
  - Adjustable Fonts and Text Sizes of Electrolux Washing Machine Aqualux 1200 Manual
  - Highlighting and Note-Taking Electrolux Washing Machine Aqualux 1200 Manual
  - Interactive Elements Electrolux Washing Machine Aqualux 1200 Manual
- 8. Staying Engaged with Electrolux Washing Machine Aqualux 1200 Manual
  - Joining Online Reading Communities
  - Participating in Virtual Book Clubs
  - Following Authors and Publishers Electrolux Washing Machine Aqualux 1200 Manual
- 9. Balancing eBooks and Physical Books Electrolux Washing Machine Aqualux 1200 Manual
  - Benefits of a Digital Library
  - Creating a Diverse Reading Collection Electrolux Washing Machine Aqualux 1200 Manual
- 10. Overcoming Reading Challenges
  - Dealing with Digital Eye Strain
  - Minimizing Distractions
  - Managing Screen Time
- 11. Cultivating a Reading Routine Electrolux Washing Machine Aqualux 1200 Manual
  - Setting Reading Goals Electrolux Washing Machine Aqualux 1200 Manual
  - Carving Out Dedicated Reading Time
- 12. Sourcing Reliable Information of Electrolux Washing Machine Aqualux 1200 Manual
  - Fact-Checking eBook Content of Electrolux Washing Machine Aqualux 1200 Manual
  - Distinguishing Credible Sources

13. Promoting Lifelong Learning
  - Utilizing eBooks for Skill Development
  - Exploring Educational eBooks
14. Embracing eBook Trends
  - Integration of Multimedia Elements
  - Interactive and Gamified eBooks

### **Electrolux Washing Machine Aqualux 1200 Manual Introduction**

In this digital age, the convenience of accessing information at our fingertips has become a necessity. Whether its research papers, eBooks, or user manuals, PDF files have become the preferred format for sharing and reading documents. However, the cost associated with purchasing PDF files can sometimes be a barrier for many individuals and organizations. Thankfully, there are numerous websites and platforms that allow users to download free PDF files legally. In this article, we will explore some of the best platforms to download free PDFs. One of the most popular platforms to download free PDF files is Project Gutenberg. This online library offers over 60,000 free eBooks that are in the public domain. From classic literature to historical documents, Project Gutenberg provides a wide range of PDF files that can be downloaded and enjoyed on various devices. The website is user-friendly and allows users to search for specific titles or browse through different categories. Another reliable platform for downloading Electrolux Washing Machine Aqualux 1200 Manual free PDF files is Open Library. With its vast collection of over 1 million eBooks, Open Library has something for every reader. The website offers a seamless experience by providing options to borrow or download PDF files. Users simply need to create a free account to access this treasure trove of knowledge. Open Library also allows users to contribute by uploading and sharing their own PDF files, making it a collaborative platform for book enthusiasts. For those interested in academic resources, there are websites dedicated to providing free PDFs of research papers and scientific articles. One such website is Academia.edu, which allows researchers and scholars to share their work with a global audience. Users can download PDF files of research papers, theses, and dissertations covering a wide range of subjects. Academia.edu also provides a platform for discussions and networking within the academic community. When it comes to downloading Electrolux Washing Machine Aqualux 1200 Manual free PDF files of magazines, brochures, and catalogs, Issuu is a popular choice. This digital publishing platform hosts a vast collection of publications from around the world. Users can search for specific titles or explore various categories and genres. Issuu offers a seamless reading experience with its user-friendly interface and allows users to download PDF files for offline reading. Apart from dedicated platforms, search engines also play a crucial role in finding free PDF files. Google, for instance, has an advanced search feature that allows users to filter results by file type. By specifying the file type as "PDF,"

users can find websites that offer free PDF downloads on a specific topic. While downloading Electrolux Washing Machine Aqualux 1200 Manual free PDF files is convenient, its important to note that copyright laws must be respected. Always ensure that the PDF files you download are legally available for free. Many authors and publishers voluntarily provide free PDF versions of their work, but its essential to be cautious and verify the authenticity of the source before downloading Electrolux Washing Machine Aqualux 1200 Manual. In conclusion, the internet offers numerous platforms and websites that allow users to download free PDF files legally. Whether its classic literature, research papers, or magazines, there is something for everyone. The platforms mentioned in this article, such as Project Gutenberg, Open Library, Academia.edu, and Issuu, provide access to a vast collection of PDF files. However, users should always be cautious and verify the legality of the source before downloading Electrolux Washing Machine Aqualux 1200 Manual any PDF files. With these platforms, the world of PDF downloads is just a click away.

### **FAQs About Electrolux Washing Machine Aqualux 1200 Manual Books**

**What is a Electrolux Washing Machine Aqualux 1200 Manual PDF?** A PDF (Portable Document Format) is a file format developed by Adobe that preserves the layout and formatting of a document, regardless of the software, hardware, or operating system used to view or print it. **How do I create a Electrolux Washing Machine Aqualux 1200 Manual PDF?**

There are several ways to create a PDF: Use software like Adobe Acrobat, Microsoft Word, or Google Docs, which often have built-in PDF creation tools. Print to PDF: Many applications and operating systems have a "Print to PDF" option that allows you to save a document as a PDF file instead of printing it on paper. Online converters: There are various online tools that can convert different file types to PDF. **How do I edit a Electrolux Washing Machine Aqualux 1200 Manual PDF?**

Editing a PDF can be done with software like Adobe Acrobat, which allows direct editing of text, images, and other elements within the PDF. Some free tools, like PDFescape or Smallpdf, also offer basic editing capabilities. **How do I convert a**

**Electrolux Washing Machine Aqualux 1200 Manual PDF to another file format?** There are multiple ways to convert a PDF to another format: Use online converters like Smallpdf, Zamzar, or Adobe Acrobats export feature to convert PDFs to formats like Word, Excel, JPEG, etc. Software like Adobe Acrobat, Microsoft Word, or other PDF editors may have options to export or save PDFs in different formats. **How do I password-protect a Electrolux Washing Machine Aqualux 1200**

**Manual PDF?** Most PDF editing software allows you to add password protection. In Adobe Acrobat, for instance, you can go to "File" -> "Properties" -> "Security" to set a password to restrict access or editing capabilities. Are there any free alternatives to Adobe Acrobat for working with PDFs? Yes, there are many free alternatives for working with PDFs, such as: LibreOffice: Offers PDF editing features. PDFsam: Allows splitting, merging, and editing PDFs. Foxit Reader: Provides basic

PDF viewing and editing capabilities. How do I compress a PDF file? You can use online tools like Smallpdf, ILovePDF, or desktop software like Adobe Acrobat to compress PDF files without significant quality loss. Compression reduces the file size, making it easier to share and download. Can I fill out forms in a PDF file? Yes, most PDF viewers/editors like Adobe Acrobat, Preview (on Mac), or various online tools allow you to fill out forms in PDF files by selecting text fields and entering information. Are there any restrictions when working with PDFs? Some PDFs might have restrictions set by their creator, such as password protection, editing restrictions, or print restrictions. Breaking these restrictions might require specific software or tools, which may or may not be legal depending on the circumstances and local laws.

**Find Electrolux Washing Machine Aqualux 1200 Manual :**

[mini cooper service manual bentley publishers](#)

**miss alaineus lesson plan**

[minolta vc 7d user guide](#)

**miss bindergarten gets ready for kindergarten**

**mining explained a laymans guide**

*minutes pour ecirctre en forme*

~~miss-storm-whipstock-grange~~

**minimec fuel injection pump manual diagram cqtjqjm**

**missing numbers on a number line**

*minuteman allergy vac vacuums owners manual*

~~missouri state mortgage test study guide~~

[mirandas big mistake](#)

[misericordiae vultus traduction](#)

**minolta 5600hs user guide**

~~mining learnerships for 2014~~

**Electrolux Washing Machine Aqualux 1200 Manual :**

**managerial accounting 11e mheducation co in** - Jul 15 2023

web nov 20 2020 the 11th edition of managerial accounting focuses on teaching students to use accounting information to best manage an organization each chapter is written around a realistic business or focus company that guides the



**managerial accounting maher solutions 11e secure4 khronos** - Nov 07 2022

web jun 14 2023 managerial accounting maher solutions 11e kaphir de managerial accounting maher solutions 11e blacklist no solution manual for managerial accounting an introduction

managerial accounting maher solutions 11e pdf 2 brb org - Sep 05 2022

web managerial accounting maher solutions 11e a concise introduction to logic advanced management accounting accounting principles fundamentals of cost accounting take action cd to accompany intermediate accounting 11th edition handbook of cost and management accounting book keeping and accounts

**managerial accounting maher solutions 11e 2022 public videojs** - Jun 02 2022

web managerial accounting maher solutions 11e methods and uses 11e maher 1111571260 test bank solution managerial accounting maher solutions 11e downloaded from public videojs com by guest franklin rhett managerial accounting maher solutions 11e practice test bank for managerial accounting introduction concepts methods

*managerial accounting maher solutions 11e* - Aug 16 2023

web publication managerial accounting maher solutions 11e as without difficulty as evaluation them wherever you are now accounting principles roger h hermannson 2018 02 16 accounting principles a business perspective uses annual reports of real companies to illustrate many of the accounting concepts in use in business today

solved chapter 11 problem 21e solution financial and managerial - Mar 31 2022

web access financial and managerial accounting 8th edition chapter 11 problem 21e solution now our solutions are written by chegg experts so you can be assured of the highest quality

**managerial accounting maher solutions 11e** - Jan 29 2022

web kindly say the managerial accounting maher solutions 11e is universally compatible with any devices to read e commerce 2015 global edition kenneth c laudon 2015 01 23 e commerce 2015 is intended for use in undergraduate and graduate e commerce courses in any business discipline the

**solutions manual managerial accounting 11th edition maher** - Jan 09 2023

web nov 26 2022 get free solutions manual managerial accounting 11th edition maher the how aspects of accounting in order to reinforce concepts and promote comprehension over rote memorization horngren s accounting presents the core content of the accounting course in a fresh format designed to help today s learner succeed

managerial accounting maher solutions 11e - Aug 04 2022

web managerial accounting maher solutions 11e getting the books managerial accounting maher solutions 11e now is not type of challenging means you could not by yourself going later than book increase or library or borrowing from your friends to right of entry them this is an definitely easy means to specifically acquire lead by on line

maher yasin group finance director jeet building contracting - Feb 27 2022

web energetic individual with several years of experience in the accounting profession principal strengths include being a self starter managing problem solving and the ability to manage multiple tasks also hold exceptional organizational communication and implementation skills responsibilities have included overall management of all aspects of accounting  
*managerial accounting maher solutions 11e* - Feb 10 2023

web managerial accounting maher solutions 11e as capably as evaluation them wherever you are now managerial accounting ray h garrison 2023 04 27 much like the ready notes this booklet offers a hard copy version of all the teaching transparencies students can annotate the material during the lecture and take notes in the space provided

**managerial accounting maher solutions 11e copy** - May 13 2023

web managerial accounting maher solutions 11e 1 managerial accounting maher solutions 11e managerial accounting maher solutions 11e chap002 solution manual managerial accounting llm 5103 test bank for managerial accounting an introduction to solution manual for managerial accounting an introduction

**managerial accounting maher solutions 11e patrick hurley** - Dec 28 2021

web it will agreed ease you to look guide managerial accounting maher solutions 11e as you such as by searching the title publisher or authors of guide you truly want you can discover them rapidly in the house workplace or perhaps in your method can be every best place within net connections if you purpose to download and install the  
*managerial accounting 11th 12 by maher michael w* - Mar 11 2023

web jan 1 2011 managerial accounting 11th 12 by maher michael w stickney clyde p weil roman l hardcover 2011 maher on amazon com free shipping on qualifying offers managerial accounting 11th 12 by maher michael w stickney clyde p weil roman l hardcover 2011

**managerial accounting maher solutions 11e pqr uiaf gov co** - May 01 2022

web as this one merely said the managerial accounting maher solutions 11e is universally compatible considering any devices to read learning by doing dasaratha v rama 1998 this volume is part of a series of 18 monographs on service learning and the academic disciplines it is designed to 1 develop a theoretical framework for  
*managerial accounting maher solutions 11e pdf pdf tax* - Oct 06 2022

web introduction managerial accounting maher solutions 11e pdf pdf accounting for decision making and control jerold l zimmerman 2019 revised edition of the author s accounting for decision making and control 2017  
*managerial accounting an introduction to concepts methods* - Jun 14 2023

web mar 16 2011 this classic mba text balances managerial accounting coverage with a strong emphasis on management decision making core managerial accounting concepts are combined with the latest cutting edge material important to today

s managers and decision makers

**managerial accounting maher solutions 11e** - Jul 03 2022

web we meet the expense of under as with ease as review managerial accounting maher solutions 11e what you in imitation of to read managerial accounting an introduction to concepts methods and uses michael w maher 2012 07 24 prepare your mba students to become successful managers not just leading accountants with the proven success of *managerial accounting maher solutions 11e* - Apr 12 2023

web managerial accounting maher solutions 11e recognizing the habit ways to get this book managerial accounting maher solutions 11e is additionally useful you have remained in right site to start getting this info acquire the managerial accounting maher solutions 11e associate that we have the funds for here and check out the link

**managerial accounting maher solutions 11e a a mx** - Dec 08 2022

web title managerial accounting maher solutions 11e author wiki ctsnet org ralf schweizer 2020 09 14 00 24 43 subject managerial accounting maher solutions 11e the writers of solutions manual managerial accounting *fundamentals of petroleum engineering production* - Aug 10 2022

web introduction the production stage is the most important stage of a well s life when the oil and gas are produced by this time the oil rigs used to drill and complete the well have moved off the wellbore and the top is usually outfitted with a collection of valves called a christmas tree or *an introduction to petroleum refining and the* - Feb 04 2022

web petroleum refining and the prod uction of ulsg and ulsd october 24 2011 page 1 1 introduction this tutorial addresses the basic principles of petroleum refining as they relate to the produc tion of ultra low sulfur fuels ulsf in particular gasoline uls g and diesel fuel ulsd 1 this is the first

**petroleum engineering 101 a simple guide for non technical** - May 19 2023

web sep 1 2023 oil and gas petroleum engineering how do you explain petroleum engineering to non technical people powered by ai and the linkedin community petroleum engineering is a fascinating

**petroleum engineering guidebook designed for the professional engineer** - Apr 18 2023

web may 1 2016 petroleum engineering guidebook designed for the professional engineer 1st edition the petroleum engineering guidebook is a concise overview of petroleum engineering used both in industry and as a pe registration study guide many prior users attest that there is no other text like it

**how to become a petroleum engineer environmentalscience org** - Aug 22 2023

web go petroleum engineering is the field of engineering that deals with the exploration extraction and production of oil it also increasingly deals with the production of natural gas a petroleum engineer also known as a gas engineer determines the

most efficient way to drill for and extract oil and natural gas at a particular well

[2 3 basic petroleum geology png 301 introduction to petroleum](#) - Jan 03 2022

web 2 3 basic petroleum geology the study of the geological processes that create crude oil and natural gas reservoirs is referred to as petroleum geology in this discussion we will also need to include brief discussions of related specialized areas of geologic study including stratigraphy and structural geology

**how to become a petroleum engineer indeed com** - Sep 11 2022

web jun 30 2023 a petroleum engineer is an exciting career that requires physical ability stamina and strong problem solving skills it can be a fulfilling occupation with many opportunities for advancement learning more about becoming a petroleum engineer can help you determine if it s a good career for you

**fundamentals of petroleum and petrochemical engineering** - Mar 17 2023

web mar 21 2018 pdf on mar 21 2018 habib hurmuzlu published fundamentals of petroleum and petrochemical engineering find read and cite all the research you need on researchgate

**petroleum and natural gas resources dummies** - Feb 16 2023

web mar 26 2016 environmental science for dummies explore book buy on amazon here is the lowdown on these fuels and a couple of lesser known petroleum related resources and what the possible ecological effects and advantages of extracting them are

**oil and petroleum products explained refining crude oil u s** - Jun 08 2022

web feb 22 2023 how crude oil is refined into petroleum products petroleum refineries convert refine crude oil into petroleum products for use as fuels for transportation heating paving roads and generating electricity and as feedstocks for making chemicals

*introduction to petroleum engineering perlego* - Nov 13 2022

web presents key concepts and terminology for a multidisciplinary range of topics in petroleum engineering places oil and gas production in the global energy context introduces all of the key concepts that are needed to understand oil and gas production from exploration through abandonment

**fundamental of petroleum engineering introduction** - Jun 20 2023

web what is petroleum engineer a petroleum engineer is involved in nearly all stages of oil and gas field evaluation development and production the goal of a petroleum engineer is to maximise hydrocarbon recovery at a minimum cost while maintaining a strong emphasis on reducing all associated environmental problems petroleum engineers are

*petroleum for dummies forbes* - Mar 05 2022

web nov 10 2015 petroleum for dummies more from forbes sep 15 2023 06 00am edt renewable energy milestone wind and

solar trump hydropower sep 14 2023 03 53pm edt opec pointedly rejects iea peak oil

**how to become a petroleum engineer a complete guide** - Apr 06 2022

web sep 14 2022 how to become a petroleum engineer follow these steps to become a petroleum engineer 1 graduate higher secondary school to become a petroleum engineer you have to complete your 10 2 with subjects like physics chemistry and mathematics try to secure a minimum of 50 marks in the higher secondary level

*how to become a petroleum engineer steps to take from* - Oct 12 2022

web jun 17 2021 high school take science and math classes since petroleum engineers are required to excel at math whilst having a strong understanding of scientific principles students in high school should focus on advanced level stem classes

petroeng 1006 introduction to petroleum engineering - Jan 15 2023

web this course covers introductions to petroleum drilling completions and production reservoir mechanics fundamentals of rock and fluid properties composition and pvt properties of petroleum fluids basic physical and chemical properties of petroleum reservoir fluids related to reservoir processes and production

**what is petroleum engineering with types and skills** - Jul 21 2023

web jan 3 2023 updated january 3 2023 petroleum engineering is a field of engineering primarily concerned with the production of crude oil and natural gas experts in this field evaluate oil and gas reservoirs to determine profitability and ensure that the drilling process concludes in the safest and most efficient way possible

fundamentals of petroleum engineering module 1 ppt - Jul 09 2022

web nov 14 2016 what is petroleum engineering 6 what is petroleum engineer a petroleum engineer is involved in nearly all stages of oil and gas field evaluation development and production the goal of a petroleum engineer is to maximise hydrocarbon recovery at a minimum cost while maintaining a strong emphasis on

*what does a petroleum engineer do careerexplorer* - Dec 14 2022

web petroleum engineers play an important role in the energy industry by applying scientific and engineering principles to maximize the efficiency and profitability of oil and gas operations they work in various sectors including drilling reservoir engineering production engineering and petrochemical processing

**petroleum engineering major guide to petroleum engineer degree** - May 07 2022

web petroleum engineering majors guide what does it mean to study petroleum engineering if you re interested in earth sciences and you like the idea of getting paid to travel the world consider becoming a petroleum engineer petroleum engineers seek out oil and gas reservoirs beneath the earth s surface

**sample complaint letter for encroachment to police** - Jul 21 2022

web feb 10 2023 here is a sample letter you can use and modify as per your personal situation template date to the officer in

charge the superintendent police station address sub complaint regarding land encroachment respected sir madam i am writing to bring to your attention a serious matter concerning land

[how to draft a legal notice for encroachment to claim](#) - Oct 24 2022

web 27 jan 19 a legal notice for land encroachment is a warning before any legal action is taken thus a legal notice for encroachment in india should not be taken lightly in india buying property especially vacant land or house is

[sample encroachment letter to neighbor pdf filler](#) - Nov 24 2022

web who needs sample encroachment letter to 01 property owners who are dealing with an encroachment issue on their property 02 individuals or businesses who are facing an encroachment on their property 03

[sample complaint letter to the police for land encroachment](#) - Apr 29 2023

web sample complaint letter to the police for land encroachment if you wish to file a complaint with the police for land encroachment there are a few things you will need to keep in mind first it is essential to have evidence of the encroachment

**example letter to neighbor about encroachment** - Apr 17 2022

web encroachment letter example how do you approach a neighbor about an encroachment this is a notice to a neighbour requesting the removal of an illegal structure encroaching on your property

[sample encroachment letter to neighbor](#) - Sep 03 2023

web jan 1 2023 sample encroachment letter to a neighbor dear neighbor i am writing to bring to your attention an issue that has recently come to my attention regarding your property it has come to my attention that describe the encroachment such as a tree or fence that is on your property

**sample encroachment letter to neighbor neighbor cut down my** - Sep 22 2022

web jan 1 2023 sample encroachment letter to neighbor neighbor cut down my tree example of encroachment letter neighbor cut down mine tree sample letter neighbors 831 views example encroachment letter to neighbor neighbor cutting get tree january 1 2023 2 little read percentage tweet

**sample encroachment letter to neighbor form signnow** - Jun 19 2022

web are you searching for universal solution to esign sample letter of land encroachment signnow combines simplicity of use affordable price and safety in a single online service all without the need of forcing additional software programs on you

[sample encroachment letter to neighbor form signnow](#) - May 19 2022

web 81 votes what makes the sample encroachment letter legally binding because the world ditches in office work the execution of paperwork more and more takes place online the notice of encroachment letter isn t an any different dealing with it using digital means differs from doing this in the physical world

[property encroachment land dispute letter samples](#) - Jul 01 2023

web complaint letter for property encroachment sample date to the officer in charge the superintendent police station address sub complaint regarding land encroachment respected sir madam i beg to state that i am mr ms aged years a resident of full home address

**encroachment definition usage examples dictionary com** - Mar 17 2022

web encroachment definition see examples of encroachment used in a sentence

*30 sample encroachment agreements in pdf ms word* - May 31 2023

web a typical example is when you build something that violates your neighbor s property may it be overhanging or extending to another land and in real estate violating another person s property rights and boundaries concerns an encroachment agreement encroachment agreements ms word 30 sample encroachment agreements

4 synonyms antonyms for encroachment thesaurus com - Feb 13 2022

web find 4 different ways to say encroachment along with antonyms related words and example sentences at thesaurus com

**write a letter to the editor about the encroachment issue** - Aug 22 2022

web jun 24 2021 write a letter to the editor about the encroachment issue and offer a way forward if possible hints daily encroachment issues how footpaths have encroached who are encroaching how pedestrians are affected request action for removing this problem 12 vrindaban garden

**what is an encroachment the balance** - Dec 26 2022

web dec 14 2021 photo ryan mcvey getty images definition an encroachment in real estate occurs when one property owner violates a neighbor s property rights by building or extending a structure onto their neighbor s property without permission

**notice to neighbour on encroachment of property docpro** - Mar 29 2023

web the document titled notice to neighbour on encroachment of property is a formal letter that is used to inform a neighbor about the encroachment of their property onto the sender s property the document begins with a brief introduction stating the importance of the notice and the purpose it serves

*encroachment overview forms examples how to avoid* - Jan 27 2023

web forms of encroachment discussed below are the different forms of encroachment 1 minor encroachment it refers to a situation that can be solved by a simple conversation or negotiation an example of a minor encroachment would be things such as gardens or fences that overlap property lines 2 major encroachment

**templates for writing a property line dispute letter giambrone** - Oct 04 2023

web template 1 meeting about a dispute these templates can be used to invite a neighbour to meet regarding your property line dispute informal letter template dear name as you are aware we have disagreed regarding insert a brief description of your dispute here although we disagree about this we are neighbours and need to resolve the problem

*how to write an encroachment notice legal beagle sample* - Feb 25 2023

web dec 9 2018 for example the neighbor s hedge with electric is encroaching on your property fasten my scrutinize oder plat map spotlight the disputed area explain that you are giving the neighbor notice that she needs at remove the encroaching structure

**how to write an encroachment notice legal beagle** - Aug 02 2023

web dec 9 2018 for example the neighbor s hedge or fence is encroaching on your property attach your survey or plat map highlighting the disputed area explain that you are giving the neighbor notice that she needs to remove the encroaching structure specify a reasonable period in which the neighbor should fix the encroachment for example 30 days