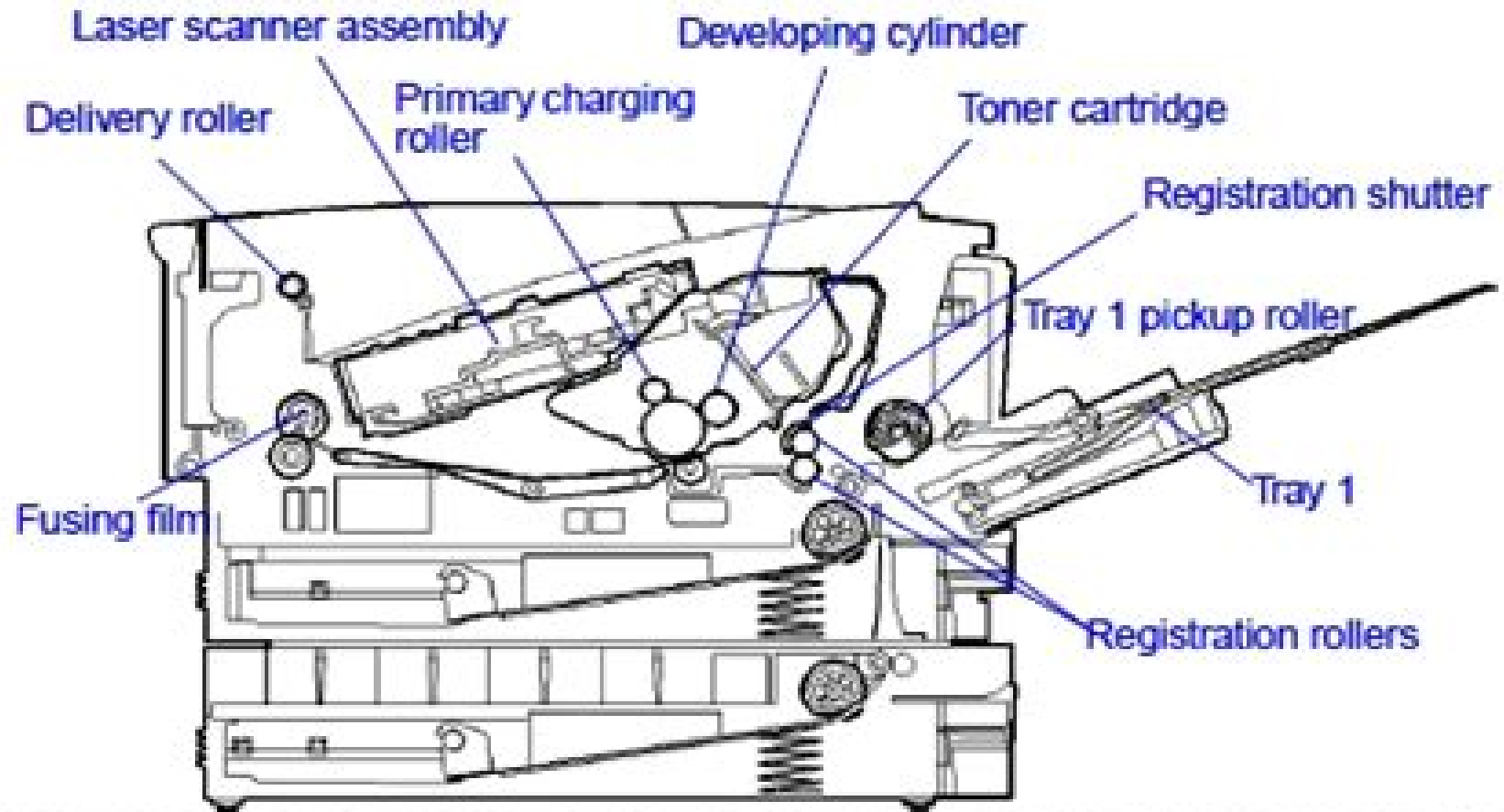


Internal Assembly Locations

Figure 1-6 Internal Assembly Locations (1 of 2)



Preview: HP LaserJet 2100 service manual

[Download Now!](#)

Hp 2100 Manual

Jessica J Manson



Hp 2100 Manual:

If you ally dependence such a referred **Hp 2100 Manual** books that will pay for you worth, acquire the extremely best seller from us currently from several preferred authors. If you desire to funny books, lots of novels, tale, jokes, and more fictions collections are then launched, from best seller to one of the most current released.

You may not be perplexed to enjoy every book collections Hp 2100 Manual that we will entirely offer. It is not re the costs. Its more or less what you habit currently. This Hp 2100 Manual, as one of the most operational sellers here will entirely be in the course of the best options to review.

https://staging.conocer.cide.edu/results/Resources/Download_PDFS/magnavox%20mwd2205%20manual.pdf

Table of Contents Hp 2100 Manual

1. Understanding the eBook Hp 2100 Manual
 - The Rise of Digital Reading Hp 2100 Manual
 - Advantages of eBooks Over Traditional Books
2. Identifying Hp 2100 Manual
 - Exploring Different Genres
 - Considering Fiction vs. Non-Fiction
 - Determining Your Reading Goals
3. Choosing the Right eBook Platform
 - Popular eBook Platforms
 - Features to Look for in an Hp 2100 Manual
 - User-Friendly Interface
4. Exploring eBook Recommendations from Hp 2100 Manual
 - Personalized Recommendations
 - Hp 2100 Manual User Reviews and Ratings
 - Hp 2100 Manual and Bestseller Lists
5. Accessing Hp 2100 Manual Free and Paid eBooks

- Hp 2100 Manual Public Domain eBooks
 - Hp 2100 Manual eBook Subscription Services
 - Hp 2100 Manual Budget-Friendly Options
6. Navigating Hp 2100 Manual eBook Formats
 - ePub, PDF, MOBI, and More
 - Hp 2100 Manual Compatibility with Devices
 - Hp 2100 Manual Enhanced eBook Features
 7. Enhancing Your Reading Experience
 - Adjustable Fonts and Text Sizes of Hp 2100 Manual
 - Highlighting and Note-Taking Hp 2100 Manual
 - Interactive Elements Hp 2100 Manual
 8. Staying Engaged with Hp 2100 Manual
 - Joining Online Reading Communities
 - Participating in Virtual Book Clubs
 - Following Authors and Publishers Hp 2100 Manual
 9. Balancing eBooks and Physical Books Hp 2100 Manual
 - Benefits of a Digital Library
 - Creating a Diverse Reading Collection Hp 2100 Manual
 10. Overcoming Reading Challenges
 - Dealing with Digital Eye Strain
 - Minimizing Distractions
 - Managing Screen Time
 11. Cultivating a Reading Routine Hp 2100 Manual
 - Setting Reading Goals Hp 2100 Manual
 - Carving Out Dedicated Reading Time
 12. Sourcing Reliable Information of Hp 2100 Manual
 - Fact-Checking eBook Content of Hp 2100 Manual
 - Distinguishing Credible Sources
 13. Promoting Lifelong Learning
 - Utilizing eBooks for Skill Development

- Exploring Educational eBooks
14. Embracing eBook Trends
- Integration of Multimedia Elements
 - Interactive and Gamified eBooks

Hp 2100 Manual Introduction

Free PDF Books and Manuals for Download: Unlocking Knowledge at Your Fingertips In today's fast-paced digital age, obtaining valuable knowledge has become easier than ever. Thanks to the internet, a vast array of books and manuals are now available for free download in PDF format. Whether you are a student, professional, or simply an avid reader, this treasure trove of downloadable resources offers a wealth of information, conveniently accessible anytime, anywhere. The advent of online libraries and platforms dedicated to sharing knowledge has revolutionized the way we consume information. No longer confined to physical libraries or bookstores, readers can now access an extensive collection of digital books and manuals with just a few clicks. These resources, available in PDF, Microsoft Word, and PowerPoint formats, cater to a wide range of interests, including literature, technology, science, history, and much more. One notable platform where you can explore and download free Hp 2100 Manual PDF books and manuals is the internet's largest free library. Hosted online, this catalog compiles a vast assortment of documents, making it a veritable goldmine of knowledge. With its easy-to-use website interface and customizable PDF generator, this platform offers a user-friendly experience, allowing individuals to effortlessly navigate and access the information they seek. The availability of free PDF books and manuals on this platform demonstrates its commitment to democratizing education and empowering individuals with the tools needed to succeed in their chosen fields. It allows anyone, regardless of their background or financial limitations, to expand their horizons and gain insights from experts in various disciplines. One of the most significant advantages of downloading PDF books and manuals lies in their portability. Unlike physical copies, digital books can be stored and carried on a single device, such as a tablet or smartphone, saving valuable space and weight. This convenience makes it possible for readers to have their entire library at their fingertips, whether they are commuting, traveling, or simply enjoying a lazy afternoon at home. Additionally, digital files are easily searchable, enabling readers to locate specific information within seconds. With a few keystrokes, users can search for keywords, topics, or phrases, making research and finding relevant information a breeze. This efficiency saves time and effort, streamlining the learning process and allowing individuals to focus on extracting the information they need. Furthermore, the availability of free PDF books and manuals fosters a culture of continuous learning. By removing financial barriers, more people can access educational resources and pursue lifelong learning, contributing to personal growth and professional development. This democratization of knowledge promotes intellectual curiosity and empowers individuals to

become lifelong learners, promoting progress and innovation in various fields. It is worth noting that while accessing free Hp 2100 Manual PDF books and manuals is convenient and cost-effective, it is vital to respect copyright laws and intellectual property rights. Platforms offering free downloads often operate within legal boundaries, ensuring that the materials they provide are either in the public domain or authorized for distribution. By adhering to copyright laws, users can enjoy the benefits of free access to knowledge while supporting the authors and publishers who make these resources available. In conclusion, the availability of Hp 2100 Manual free PDF books and manuals for download has revolutionized the way we access and consume knowledge. With just a few clicks, individuals can explore a vast collection of resources across different disciplines, all free of charge. This accessibility empowers individuals to become lifelong learners, contributing to personal growth, professional development, and the advancement of society as a whole. So why not unlock a world of knowledge today? Start exploring the vast sea of free PDF books and manuals waiting to be discovered right at your fingertips.

FAQs About Hp 2100 Manual Books

What is a Hp 2100 Manual PDF? A PDF (Portable Document Format) is a file format developed by Adobe that preserves the layout and formatting of a document, regardless of the software, hardware, or operating system used to view or print it.

How do I create a Hp 2100 Manual PDF? There are several ways to create a PDF: Use software like Adobe Acrobat, Microsoft Word, or Google Docs, which often have built-in PDF creation tools. Print to PDF: Many applications and operating systems have a "Print to PDF" option that allows you to save a document as a PDF file instead of printing it on paper. Online converters: There are various online tools that can convert different file types to PDF.

How do I edit a Hp 2100 Manual PDF? Editing a PDF can be done with software like Adobe Acrobat, which allows direct editing of text, images, and other elements within the PDF. Some free tools, like PDFescape or Smallpdf, also offer basic editing capabilities.

How do I convert a Hp 2100 Manual PDF to another file format? There are multiple ways to convert a PDF to another format: Use online converters like Smallpdf, Zamzar, or Adobe Acrobats export feature to convert PDFs to formats like Word, Excel, JPEG, etc. Software like Adobe Acrobat, Microsoft Word, or other PDF editors may have options to export or save PDFs in different formats. **How do I password-protect a Hp 2100 Manual PDF?** Most PDF editing software allows you to add password protection. In Adobe Acrobat, for instance, you can go to "File" -> "Properties" -> "Security" to set a password to restrict access or editing capabilities. Are there any free alternatives to Adobe Acrobat for working with PDFs? Yes, there are many free alternatives for working with PDFs, such as: LibreOffice: Offers PDF editing features. PDFsam: Allows splitting, merging, and editing PDFs. Foxit Reader: Provides basic PDF viewing and editing capabilities. How do I compress a PDF file? You can use online tools like Smallpdf, ILovePDF, or desktop software like Adobe Acrobat to compress PDF files without

significant quality loss. Compression reduces the file size, making it easier to share and download. Can I fill out forms in a PDF file? Yes, most PDF viewers/editors like Adobe Acrobat, Preview (on Mac), or various online tools allow you to fill out forms in PDF files by selecting text fields and entering information. Are there any restrictions when working with PDFs? Some PDFs might have restrictions set by their creator, such as password protection, editing restrictions, or print restrictions. Breaking these restrictions might require specific software or tools, which may or may not be legal depending on the circumstances and local laws.

Find Hp 2100 Manual :

magnavox mwd2205 manual

[maiden anatomy medical erotic romance doctor s demands book 1](#)

[maintenance manual airbus a320 actuator](#)

[maintenance operations manual](#)

maintenance manual kad 44

[majestic dv360 fireplace manual](#)

[magnified healing complete manual](#)

[mahalaxmi kaylendar 1992](#)

[maintenance manual for rzt50 cub cadet](#)

maharashtra hsc board paper physics 2013

[magical melody wii guide](#)

maharashtra hsc 2015 physics question paper

[maidenhead stories english edition](#)

[make me melt mills boon blaze the us marshals book](#)

maintenance manual for bg coaches of icf design

Hp 2100 Manual :

Organizational Behavior: Key Concepts, Skills & ... This book provides lean and efficient coverage of topics such as diversity in organizations, ethics, and globalization, which are recommended by the Association ... Organizational Behavior: Key Concepts, Skills & ... Organizational Behavior: Key Concepts, Skills & Best Practices ; Item Number. 374652301111 ; Binding. Paperback ; Weight. 0 lbs ; Accurate description. 4.9. Organizational Behavior: Key Concepts, Skills ... This is a

comprehensive text with interesting Case Studies and loads of research findings relative to the topics of an organization. If you are a student ... Organizational Behavior: Key Concepts, Skills and Best ... Author, Angelo Kinicki ; Edition, 2, revised ; Publisher, McGraw-Hill Education, 2005 ; ISBN, 007111811X, 9780071118118 ; Length, 448 pages. Organizational Behavior; Key Concepts, Skills & ... Click for full-size. Organizational Behavior; Key Concepts, Skills & Best Practices; 4th Edition. by Kinicki. Used; Paperback. Condition: Very Good Condition ... Organizational Behavior: Key Concepts Skills & Best ... Home/University Books/ Organizational Behavior: Key Concepts Skills & Best Practices. Organizational Behavior: Key Concepts Skills & Best Practices. Organizational Behavior | McGraw Hill Higher Education M: Organizational Behavior, 5th edition ... This book's concise presentation of the latest OB concepts and practices is built on the main ... Organizational behavior : key concepts, skills & best practices English. ISBN/ISSN. 9780071285582. Edition. 4th. Subject(s). Organizational behavior. Other version/related. No other version available. Information. RECORD ... ORGANIZATIONAL BEHAVIOUR Key Concepts, Skills, and ... Fundamentals of ORGANIZATIONAL BEHAVIOUR Key Concepts, Skills, and Best Practices SECOND CANADIAN EDITION Robert Kreit. Views 10,355 Downloads 5,355 File ... Organizational Behavior: Bridging Science and ... Organizational Behavior provides the most timely and relevant concepts, vocabulary, frameworks, and critical-thinking skills necessary to diagnose situations, ... THE GLASS MENAGERIE, [MUSIC: 'THE GLASS MENAGERIE' UNDER FAINTLY. Lightly.] Not one gentleman ... [MUSIC: ' THE GLASS MENAGERIE'. He stretches out his hand.] Oh, be careful - if ... The Glass Menagerie book script of the play. [SCREEN LEGEND: 'OÙ SONT LES NEIGES."'] There was young Champ Laughlin who later became vice-president of the Delta Planters. Bank. The Glass Menagerie - Tennessee Williams (AMANDA exits through living-room curtains. TOM is left with LAURA. He stares at her stupidly for a moment. Then he crosses to shelf holding glass menagerie. The Glass Menagerie Amanda Wingfield is a faded, tragic remnant of Southern gentility who lives in poverty in a dingy St. Louis apartment with her son, Tom, and her daughter, ... The Glass Menagerie When Amanda convinces Tom to bring home from his workplace a "gentleman caller" for Laura, the illusions that Tom, Amanda, and Laura have each created in order ... The Glass Menagerie Text Scene 1: The Wingfield apartment is in the rear of the building, one of those vast hive-like conglomerations of cellular living-units that flower as. Tennessee Williams - The Glass Menagerie (Scene 3) LEGEND ON SCREEN: 'AFTER THE FIASCO' [TOM speaks from the fire-escape landing.] TOM: After the fiasco at Rubicam's Business College, the idea of getting a ... "The Glass Menagerie," Scene One and Scene Two, by ... 41 Scene 1. 352 The Wingfield apartment is in the rear of the building, one of those vast hive-like conglomerations of cellular living-units that flower as ... Tennessee Williams - The Glass Menagerie (Scene 7) A moment after the curtain rises, the lights in both rooms flicker and go out.] JIM: Hey, there, Mr Light Bulb ! [AMANDA laughs nervously. LEGEND: 'SUSPENSION ... The Glass Menagerie: Acting Edition: Tennessee Williams A new introduction by the editor of The Tennessee Williams Annual Review, Robert Bray, reappraises the play more than half a century after it won the New York ... Marcy Mathworks Marcy Mathworks

now offers its best-selling enrichment books as digital downloads, including all the titles below, all selling at about half the price of the ... Marcy Mathworks Marcy Mathworks now offers its best-selling enrichment books as digital downloads, including all the titles below, all selling at about half the price of the ... Marcy Mathworks Marcy Mathworks. 1. Marcy Mathworks. Marcy Mathworks. Downloaded from web.mei.edu by guest. BEATRICE MYLA. Best Sellers - Books : • The Light We Carry: ... Bridge to Algebra Pizzazz Published by Marcy Mathworks: PUNCHLINE Problem Solving • 2nd Edition ... ©2001 Marcy Mathworks. • 19. 0.5 51 mi 78 ft 110 20 360. Expressions, Equations, and ... Marcy Mathworks Answer Key marcy mathworks answer key. Punchline Algebra Book B 2006 Marcy Mathworks Answer Key Punchline Algebra Book B - marcymathworks.livejournal. Section 11 Answers ©2006 Marcy Mathworks. Answers • 6. Page 7. Section 12 Answers. What Happened After a Bunch of Izzy Lang's Friends. Made a Giant "Happy 85th ... ©2006 Marcy ... Marcy Mathworks Punchline Algebra Book B Answer Keyrar Marcy Mathworks Punchline Algebra Book B Answer Keyrar. Marcy Mathworks Punchline Algebra Book B Answer Keyrar. Download Zip. 2001 Marcy Mathworks - PUNCHLINE • Bridge to Algebra ©2001 Marcy Mathworks. PUNCHLINE • Bridge to Algebra. WHAT IS THE TITLE OF ... ©2001 Marcy Mathworks. Equations, Problems, and Functions: • 38 •. Solving One ...