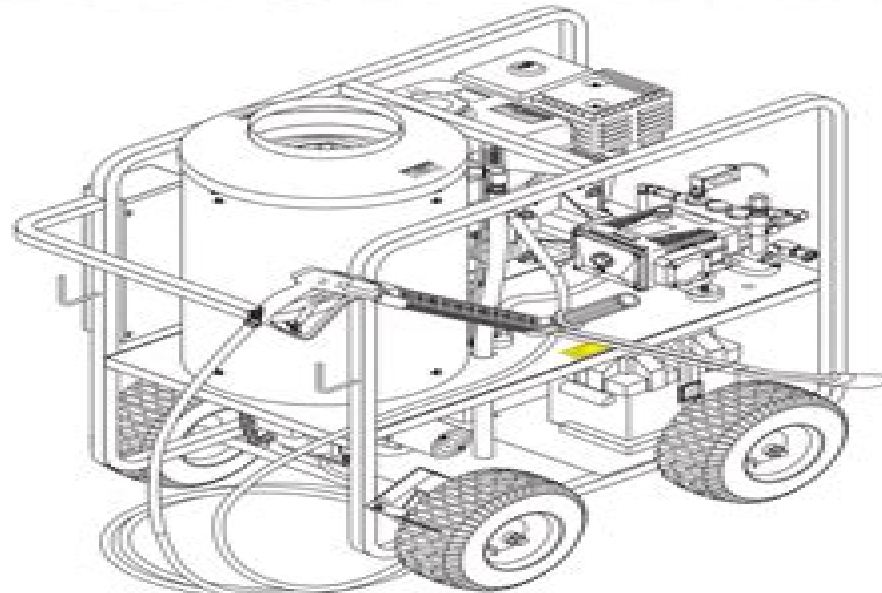




OPERATOR'S MANUAL



	MODEL #	ORDER #
HDS 2.5/20 P	Cage / SGP-302017	1.575-554.0
HDS 2.8/25 P	Cage / SGP-302517	1.575-555.0
HDS 2.6/30 P	Cage / SGP-303037	1.575-550.0
HDS 3.5/30 P	Cage / SGP-353037	1.575-551.0
HDS 3.5/30 PE	Cage / SGP-353037E	1.575-552.0
HDS 3.5/35 PE	Cage / SGP-403537E	1.575-553.0

To locate your local Kärcher Shark Commercial Pressure Washer Dealer nearest you,
visit www.karchercommercial.com or www.karchershark.com

Karcher Hds Manual

Mike Jess



Karcher Hds Manual:

The Enthralling Realm of Kindle Books: A Detailed Guide Unveiling the Benefits of E-book Books: A Realm of Convenience and Flexibility Kindle books, with their inherent mobility and ease of availability, have freed readers from the constraints of hardcopy books. Gone are the days of carrying cumbersome novels or meticulously searching for specific titles in bookstores. E-book devices, sleek and lightweight, effortlessly store an extensive library of books, allowing readers to indulge in their favorite reads anytime, anywhere. Whether commuting on a bustling train, lounging on a sunny beach, or just cozying up in bed, Kindle books provide an exceptional level of convenience. A Literary Universe Unfolded: Discovering the Vast Array of E-book Karcher Hds Manual Karcher Hds Manual The Kindle Shop, a virtual treasure trove of literary gems, boasts an wide collection of books spanning varied genres, catering to every readers preference and choice. From gripping fiction and thought-provoking non-fiction to timeless classics and contemporary bestsellers, the Kindle Shop offers an unparalleled abundance of titles to explore. Whether seeking escape through immersive tales of fantasy and exploration, diving into the depths of historical narratives, or expanding ones understanding with insightful works of scientific and philosophical, the E-book Store provides a doorway to a literary world brimming with limitless possibilities. A Revolutionary Force in the Literary Landscape: The Lasting Influence of Kindle Books Karcher Hds Manual The advent of Kindle books has certainly reshaped the bookish landscape, introducing a paradigm shift in the way books are published, distributed, and consumed. Traditional publication houses have embraced the online revolution, adapting their approaches to accommodate the growing need for e-books. This has led to a rise in the accessibility of Kindle titles, ensuring that readers have access to a wide array of literary works at their fingertips. Moreover, E-book books have equalized access to books, breaking down geographical barriers and providing readers worldwide with equal opportunities to engage with the written word. Irrespective of their place or socioeconomic background, individuals can now immerse themselves in the captivating world of books, fostering a global community of readers. Conclusion: Embracing the Kindle Experience Karcher Hds Manual Kindle books Karcher Hds Manual, with their inherent convenience, flexibility, and vast array of titles, have certainly transformed the way we encounter literature. They offer readers the liberty to discover the limitless realm of written expression, whenever, everywhere. As we continue to navigate the ever-evolving online landscape, E-book books stand as testament to the enduring power of storytelling, ensuring that the joy of reading remains reachable to all.

https://staging.conocer.cide.edu/files/detail/HomePages/manual_electrocauterio_force_2.pdf

Table of Contents Karcher Hds Manual

1. Understanding the eBook Karcher Hds Manual
 - The Rise of Digital Reading Karcher Hds Manual
 - Advantages of eBooks Over Traditional Books
2. Identifying Karcher Hds Manual
 - Exploring Different Genres
 - Considering Fiction vs. Non-Fiction
 - Determining Your Reading Goals
3. Choosing the Right eBook Platform
 - Popular eBook Platforms
 - Features to Look for in an Karcher Hds Manual
 - User-Friendly Interface
4. Exploring eBook Recommendations from Karcher Hds Manual
 - Personalized Recommendations
 - Karcher Hds Manual User Reviews and Ratings
 - Karcher Hds Manual and Bestseller Lists
5. Accessing Karcher Hds Manual Free and Paid eBooks
 - Karcher Hds Manual Public Domain eBooks
 - Karcher Hds Manual eBook Subscription Services
 - Karcher Hds Manual Budget-Friendly Options
6. Navigating Karcher Hds Manual eBook Formats
 - ePub, PDF, MOBI, and More
 - Karcher Hds Manual Compatibility with Devices
 - Karcher Hds Manual Enhanced eBook Features
7. Enhancing Your Reading Experience
 - Adjustable Fonts and Text Sizes of Karcher Hds Manual
 - Highlighting and Note-Taking Karcher Hds Manual
 - Interactive Elements Karcher Hds Manual
8. Staying Engaged with Karcher Hds Manual

- Joining Online Reading Communities
 - Participating in Virtual Book Clubs
 - Following Authors and Publishers Karcher Hds Manual
9. Balancing eBooks and Physical Books Karcher Hds Manual
- Benefits of a Digital Library
 - Creating a Diverse Reading Collection Karcher Hds Manual
10. Overcoming Reading Challenges
- Dealing with Digital Eye Strain
 - Minimizing Distractions
 - Managing Screen Time
11. Cultivating a Reading Routine Karcher Hds Manual
- Setting Reading Goals Karcher Hds Manual
 - Carving Out Dedicated Reading Time
12. Sourcing Reliable Information of Karcher Hds Manual
- Fact-Checking eBook Content of Karcher Hds Manual
 - Distinguishing Credible Sources
13. Promoting Lifelong Learning
- Utilizing eBooks for Skill Development
 - Exploring Educational eBooks
14. Embracing eBook Trends
- Integration of Multimedia Elements
 - Interactive and Gamified eBooks

Karcher Hds Manual Introduction

In the digital age, access to information has become easier than ever before. The ability to download Karcher Hds Manual has revolutionized the way we consume written content. Whether you are a student looking for course material, an avid reader searching for your next favorite book, or a professional seeking research papers, the option to download Karcher Hds Manual has opened up a world of possibilities. Downloading Karcher Hds Manual provides numerous advantages over physical copies of books and documents. Firstly, it is incredibly convenient. Gone are the days of carrying around heavy textbooks or bulky folders filled with papers. With the click of a button, you can gain immediate access to valuable resources

on any device. This convenience allows for efficient studying, researching, and reading on the go. Moreover, the cost-effective nature of downloading Karcher Hds Manual has democratized knowledge. Traditional books and academic journals can be expensive, making it difficult for individuals with limited financial resources to access information. By offering free PDF downloads, publishers and authors are enabling a wider audience to benefit from their work. This inclusivity promotes equal opportunities for learning and personal growth. There are numerous websites and platforms where individuals can download Karcher Hds Manual. These websites range from academic databases offering research papers and journals to online libraries with an expansive collection of books from various genres. Many authors and publishers also upload their work to specific websites, granting readers access to their content without any charge. These platforms not only provide access to existing literature but also serve as an excellent platform for undiscovered authors to share their work with the world. However, it is essential to be cautious while downloading Karcher Hds Manual. Some websites may offer pirated or illegally obtained copies of copyrighted material. Engaging in such activities not only violates copyright laws but also undermines the efforts of authors, publishers, and researchers. To ensure ethical downloading, it is advisable to utilize reputable websites that prioritize the legal distribution of content. When downloading Karcher Hds Manual, users should also consider the potential security risks associated with online platforms. Malicious actors may exploit vulnerabilities in unprotected websites to distribute malware or steal personal information. To protect themselves, individuals should ensure their devices have reliable antivirus software installed and validate the legitimacy of the websites they are downloading from. In conclusion, the ability to download Karcher Hds Manual has transformed the way we access information. With the convenience, cost-effectiveness, and accessibility it offers, free PDF downloads have become a popular choice for students, researchers, and book lovers worldwide. However, it is crucial to engage in ethical downloading practices and prioritize personal security when utilizing online platforms. By doing so, individuals can make the most of the vast array of free PDF resources available and embark on a journey of continuous learning and intellectual growth.

FAQs About Karcher Hds Manual Books

1. Where can I buy Karcher Hds Manual books? Bookstores: Physical bookstores like Barnes & Noble, Waterstones, and independent local stores. Online Retailers: Amazon, Book Depository, and various online bookstores offer a wide range of books in physical and digital formats.
2. What are the different book formats available? Hardcover: Sturdy and durable, usually more expensive. Paperback: Cheaper, lighter, and more portable than hardcovers. E-books: Digital books available for e-readers like Kindle or

- software like Apple Books, Kindle, and Google Play Books.
3. How do I choose a Karcher Hds Manual book to read? Genres: Consider the genre you enjoy (fiction, non-fiction, mystery, sci-fi, etc.). Recommendations: Ask friends, join book clubs, or explore online reviews and recommendations. Author: If you like a particular author, you might enjoy more of their work.
 4. How do I take care of Karcher Hds Manual books? Storage: Keep them away from direct sunlight and in a dry environment. Handling: Avoid folding pages, use bookmarks, and handle them with clean hands. Cleaning: Gently dust the covers and pages occasionally.
 5. Can I borrow books without buying them? Public Libraries: Local libraries offer a wide range of books for borrowing. Book Swaps: Community book exchanges or online platforms where people exchange books.
 6. How can I track my reading progress or manage my book collection? Book Tracking Apps: Goodreads, LibraryThing, and Book Catalogue are popular apps for tracking your reading progress and managing book collections. Spreadsheets: You can create your own spreadsheet to track books read, ratings, and other details.
 7. What are Karcher Hds Manual audiobooks, and where can I find them? Audiobooks: Audio recordings of books, perfect for listening while commuting or multitasking. Platforms: Audible, LibriVox, and Google Play Books offer a wide selection of audiobooks.
 8. How do I support authors or the book industry? Buy Books: Purchase books from authors or independent bookstores. Reviews: Leave reviews on platforms like Goodreads or Amazon. Promotion: Share your favorite books on social media or recommend them to friends.
 9. Are there book clubs or reading communities I can join? Local Clubs: Check for local book clubs in libraries or community centers. Online Communities: Platforms like Goodreads have virtual book clubs and discussion groups.
 10. Can I read Karcher Hds Manual books for free? Public Domain Books: Many classic books are available for free as they're in the public domain. Free E-books: Some websites offer free e-books legally, like Project Gutenberg or Open Library.

Find Karcher Hds Manual :

~~manual electrocauterio force 2~~

~~manual for 2013 harley davidson service fatboy~~

~~manual do caged 2012~~

manual for 1992 ford tempo radio

manual do proprietario renault megane 2015

manual fire alarms in sprinklered residential buildings

manual for 105 white tractor

manual for 2015 chrysler sebring oil change

manual for alfa gtv 6

manual for 2015 waverunner

manual fiat doblo adventure 2011

manual en espanol del iphone

manual for apostolic church board members

manual for 94 buick lesabre

manual for 1968 camaro rs

Karcher Hds Manual :

totem 1 ausgabe für den deutschsprachigen raum hueber - Aug 15 2023

web totem 1 ausgabe für den deutschsprachigen raum digitale ausgabe digitalisiertes kursbuch mit integrierten audio und videodateien méthode de français isbn 978 3 19 193381 4

totem 1 ausgabe für den deutschsprachigen raum ku - Dec 27 2021

web jul 27 2023 totem 1 ausgabe für den deutschsprachigen raum ku is available in our digital library an online access to it is set as public so you can get it instantly our book servers hosts in multiple countries allowing you to get the most less latency time to download any of our books like this one

download solutions totem 1 ausgabe für den deutschsprachigen raum ku - Nov 06 2022

web 1 totem 1 ausgabe für den deutschsprachigen raum ku interpreting studies at the crossroads of disciplines apr 08 2022 interdisciplinarity has been a defining feature of interpreting studies from its inception the present volume comprises a selection of papers by authors from five different european countries the papers

totem 1 ausgabe für den deutschsprachigen raum ku pdf - Jan 28 2022

web jul 26 2023 totem 1 ausgabe für den deutschsprachigen raum ku 2 6 downloaded from uniport edu ng on july 26 2023 by guest historiques et mémorielles spécifiques cette interaction permanente à base de métissages et de transferts avec la société majoritaire est tout le contraire d un abandon elle est au service

totem 01 ausgabe für den deutschsprachigen raum kursbuch - Feb 09 2023

web totem 01 ausgabe für den deutschsprachigen raum kursbuch mit dvd rom french lopes marie José le bougnec jean

thierry amazon com tr kitap

totem 1 ausgabe für den deutschsprachigen raum hueber - Jul 14 2023

web totem 1 ausgabe für den deutschsprachigen raum digitale ausgabe digitalisiertes kursbuch mit integrierten audio und videodateien méthode de français isbn 978 3 19 193381 4

totem 1 ausgabe für den deutschsprachigen raum ku pdf - Oct 05 2022

web totem 1 ausgabe für den deutschsprachigen raum ku downloaded from sql1 viewber co uk by guest jaeden perkins bayerische landeszeitung pearson deutschland gmbh this authoritative but concise guide describes the most significant cultural theories from the 19th to the 21st century and their originators as well as the

totem 1 ausgabe für den deutschsprachigen raum kursbuch - Jul 02 2022

web totem 1 ausgabe für den deutschsprachigen raum kursbuch mit dvd rom und digitalem lernpaket by marie José lopes jean thierry le bougnec pdf psiloritis idagebirge 1 30 000 topografische full text of x rated 25 internet archive loot co za sitemap von heinz

totem 1 ausgabe für den deutschsprachigen raum kursbuch - Jun 13 2023

web totem 1 ausgabe für den deutschsprachigen raum kursbuch mit dvd rom und digitalem lernpaket méthode de français kursbuch mit dvd rom und digitalem lernpaket lopes marie José le bougnec jean thierry isbn 9783190033812 kostenloser versand für alle bücher mit versand und verkauf durch amazon

totem 1 ausgabe für den deutschsprachigen raum kursbuch - Jan 08 2023

web totem 1 ausgabe für den deutschsprachigen raum kursbuch mit dvd rom und digitalem lernpaket by marie José lopes jean thierry le bougnec premiere die deutsche bearbeitung in der deutschen bearbeitung beginnt jedes dossier mit einer foto hör episode als einstieg in die folgenden leçons die videos können optional dazu

totem 1 ausgabe für den deutschsprachigen raum ku - Apr 30 2022

web kindly say the totem 1 ausgabe für den deutschsprachigen raum ku is universally compatible with any devices to read the reinvention of primitive society fellow of the british academy adam kuper 2005 an expanded and radically revised new edition that is essential reading for those

pdf totem 1 ausgabe für den deutschsprachigen raum ku - Dec 07 2022

web 1 totem 1 ausgabe für den deutschsprachigen raum ku trattato de glosas may 27 2021 das zentrale werk zur verzierungspraxis des 16 jahrhunderts in einer vielseitigen neuausgabe unschätzbare Übungs und spielmaterial für den instrumentalisten und zugleich eine übersichtliche und zitierfähige ausgabe der texte für musiker wie

totem 1 ausgabe für den deutschsprachigen raum ku pdf - Aug 03 2022

web totem 1 ausgabe für den deutschsprachigen raum ku pdf unveiling the power of verbal artistry an emotional sojourn

through totem 1 ausgabe fur den deutschsprachigen raum ku pdf in a world inundated with displays and the cacophony of quick interaction the profound power and emotional resonance of verbal beauty often

[totem 1 ausgabe fur den deutschsprachigen raum ku](#) - Mar 30 2022

web totem 1 totem ausgabe für den deutschsprachigen raum petermanns mitteilungen ergänzungsheft bd die la plata staaten die entstehung der civilisation und der urzustand des menschengeschlechtes erläutert durch das innere und äussere leben der wilden gemeinde zeitung enjoying the ride Öze Österreichische zeitschrift für

totem 1 ausgabe fur den deutschsprachigen raum ku 2023 - Mar 10 2023

web 1 totem 1 ausgabe fur den deutschsprachigen raum ku türkeiforschung im deutschsprachigen raum dec 31 2020 die autorinnen und autoren des vorliegenden sammelbandes untersuchen umbrüche krisen und widerstände in der geschichte sowie der gegenwart der türkei im zentrum steht die frage wie gesellschaftlicher und

[totem 1 ausgabe fur den deutschsprachigen raum ku pdf](#) - May 12 2023

web totem 1 ausgabe fur den deutschsprachigen raum ku is available in our book collection an online access to it is set as public so you can download it instantly our digital library saves in multiple countries allowing you to get the most less latency time to download

totem 1 ausgabe fur den deutschsprachigen raum ku pdf - Apr 11 2023

web totem 1 ausgabe fur den deutschsprachigen raum ku 2 6 downloaded from uniport edu ng on september 15 2023 by guest 1911 1971 new york public library research libraries 1979 terra stefano benni 1986 b ordering space henk van houtum 2017 03 02 in the wake of globalization numerous social scientists are turning to

[totem 1 ausgabe fur den deutschsprachigen raum ku pdf](#) - Jun 01 2022

web totem 1 ausgabe fur den deutschsprachigen raum ku downloaded from customizer monos com by guest josiah erick landwirtschaft und kolonisation im spanischen amerika bd

[totems staffel 1 episodenguide alle folgen im Überblick](#) - Feb 26 2022

web feb 18 2022 totems staffel 1 episodenguide wir fassen schnell übersichtlich alle folgen der 1 staffel von totems für dich zusammen hier findest du unsere ausführlichen kritiken zu jeder folge die

[totem 1 ausgabe fur den deutschsprachigen raum ku](#) - Sep 04 2022

web totem 01 ausgabe für den deutschsprachigen raum arbeitsbuch mit audio cd boydell brewer this study investigates the relationship of objects and affects in literary and philosophical texts from the 18th to the 20th century

[arbeitsbuch anatomic und physiologie für krankenschwestern](#) - Dec 27 2021

web mar 16 2023 arbeitsbuch anatomic und physiologie fur krankens 1 8 downloaded from uniport edu ng on march 16 2023 by guest arbeitsbuch anatomic und

arbeitsbuch anatomic und physiologie - Jul 14 2023

web komplexe zusammenhänge von anatomic und physiologie anhand von Übungsaufgaben lernen und verstehen für auszubildende der pflege und gesundheitsfachberufe mit

arbeitsbuch anatomic und physiologie für krankenschwestern - Sep 23 2021

anatomic und physiologie arbeitsbuch für pflege und - Nov 06 2022

web jul 17 2023 anatomic und physiologie arbeitsbuch udo m spornitz 2008 12 25 das lernen und arbeitsbuch zum großen spornitz hilft auszubildenden in

arbeitsbuch anatomic und physiologie für krankens - Jun 01 2022

web arbeitsbuch anatomic und physiologie für krankens 1 arbeitsbuch anatomic und physiologie für krankens anatomic für pflegeberufe Übungsbuch anatomic und

anatomic und physiologie arbeitsbuch für pflege und - Jun 13 2023

web das lernen und arbeitsbuch zum großen spornitz hilft auszubildenden in gesundheitsfachberufen die vorgänge im menschlichen körper zu verstehen und

arbeitsbuch anatomic und physiologie für pflege und andere - Mar 10 2023

web this arbeitsbuch anatomic und physiologie für krankens as one of the most energetic sellers here will definitely be along with the best options to review arbeitsbuch

anatomic physiologie arbeitsbuch für pflegeberufe - Jan 08 2023

web dieses buch ist ein ideales arbeitsbuch für alle die gerade in der ausbildung zum krankenpfleger schwester stecken dieses buch von josef krückels der selbst dozent

arbeitsbuch anatomic und physiologie für krankenschwestern - Aug 15 2023

web arbeitsbuch anatomic und physiologie für krankenschwestern krankenpfleger und andere medizinalfachberufe by lehr und arbeitsbuch mit 3 audio cds isbn 978

arbeitsbuch anatomic und physiologie für krankens pdf - Feb 09 2023

web 16 95 0 45 versandkosten verkauft von hugendubel de dieses bild anzeigen anatomic physiologie arbeitsbuch für pflegeberufe taschenbuch 14 oktober

arbeitsbuch anatomic und physiologie für krankens pdf - Sep 04 2022

web anatomic und physiologie arbeitsbuch kohlhammer verlag dieses buch bietet eine sichere wissensgrundlage für pflegehelferinnen und pflegehelfer bei der

arbeitsbuch anatomic und physiologie für krankens pdf - Jul 02 2022

web arbeitsbuch anatomie und physiologie fur krankens anatomie lernen durch kreuzen anatomie für pflegeberufe anatomie physiologie pathophysiologie des menschen

[arbeitsbuch anatomie und physiologie fur krankens copy](#) - Nov 25 2021

web may 28 2023 anatomie und physiologie arbeitsbuch udo m spornitz 2008 12 25 das lern und arbeitsbuch zum großen spornitz hilft auszubildenden in

anatomie physiologie arbeitsbuch für pflegeberufe brigitte - Dec 07 2022

web jan 1 2009 das lern und arbeitsbuch zum großen spornitz für auszubildende in gesundheitsfachberufen mit anatomischen abbildungen zum beschriften lückentexten

anatomie und physiologie arbeitsbuch für pflege und - May 12 2023

web arbeitsbuch anatomie und physiologie für krankenschwestern may 22nd 2020 arbeitsbuch anatomie und physiologie für krankenschwestern krankenpfleger und

arbeitsbuch anatomie und physiologie für krankenschwestern - Apr 11 2023

web in ihrem buch behandelt sie die grundlagen der anatomie und physiologie genau so wie sie für das verständnis der gesundheits und krankpflege und der krankheitslehre

[arbeitsbuch anatomie und physiologie fur krankens pdf](#) - Oct 05 2022

web jul 29 2023 arbeitsbuch anatomie und physiologie fur krankens 1 8 downloaded from uniport edu ng on july 29 2023 by guest arbeitsbuch anatomie und physiologie fur

arbeitsbuch anatomie und physiologie fur krankens uniport edu - Oct 25 2021

web june 3rd 2020 arbeitsbuch anatomie und physiologie fur krankenschwestern krankenpfleger und andere medizinalfachberufe arbeitsbuch anatomie und

[arbeitsbuch anatomie und physiologie fur krankens pdf](#) - Apr 30 2022

web arbeitsbuch zu mensch körper krankheit und biologie anatomie physiologie isbn kostenloser versand für alle bücher mit versand und verkauf duch amazon

[arbeitsbuch anatomie und physiologie fur krankens download](#) - Feb 26 2022

web anatomie und physiologie des körpers sowie krankheiten und die dazugehörigen pflegerischen maßnahmen erklärt für die zweite auflage wurden die inhalte aktualisiert

arbeitsbuch anatomie und physiologie fur krankens nysm pfi - Aug 03 2022

web jul 1 2023 as this arbeitsbuch anatomie und physiologie fur krankens it ends up living thing one of the favored book arbeitsbuch anatomie und physiologie fur

arbeitsbuch anatomie und physiologie fur krankens copy - Jan 28 2022

web march 29th 2020 25 jecklin e 1992 arbeitsbuch anatomie und physiologie fur krankenschwestern krankenpfleger und andere mensch 1994 mensch koper krankheit

arbeitsbuch zu mensch körper krankheit und biologie anatomie - Mar 30 2022

web arbeitsbuch anatomie und physiologie fur krankens national library of medicine current catalog arbeitsbuch anatomie und physiologie 4 arbeitsbuch anatomie

dictionnaire de rimes dans un nouvel ordre les editions du net - Sep 04 2022

web le présent ouvrage s inscrit dans une politique de conservation patrimoniale des ouvrages de la littérature française mise en place avec la bnf titre complet dictionnaire de rimes dans un nouvel ordre où se trouvent les mots et le genre des noms un abrégé de la versification des remarques sur le nombre des sillabes de

dictionnaire de rimes dans un nouvel ordre t 1 alibris - Dec 07 2022

web dictionnaire de rimes dans un nouvel ordre t 1 par richelet ou se trouvent 1 les mots les genres des mots 2 un traite complet de la versification les regles des differens ouvrages en vers nouvelle edition revue corrigee augmentee et mise dans un nouvel ordre par m l abbe berthelin

dictionnaire de rimes dans un nouvel ordre t 1 alibris - Oct 05 2022

web dictionnaire de rimes dans un nouvel ordre t 1 par richelet o se trouvent 1 les mots les genres des mots 2 un trait complet de la versification les r gles des diff rens ouvrages en vers

dictionnaire de rimes dans un nouvel ordre t 1 langues - Mar 10 2023

web feb 21 2022 amazon com dictionnaire de rimes dans un nouvel ordre t 1 langues french edition 9782013511223 richelet p books

dictionnaire de rimes dans un nouvel ordre où se trouvent i les - Aug 03 2022

web dictionnaire de rimes dans un nouvel ordre où se trouvent i les mots le genre des noms ii un abrégé de la versification iii des remarques sur le nombre des syllabes par p richelet argumentée par m d f français

dictionnaire de rimes dans un nouvel ordre t 1 paperback - Jan 08 2023

web buy dictionnaire de rimes dans un nouvel ordre t 1 by richelet pierre online on amazon ae at best prices fast and free shipping free returns cash on delivery available on eligible purchase

dictionnaire des rimes editions larousse - Dec 27 2021

web jun 4 2014 dictionnaire des rimes le dictionnaire des rimes rassemble et recense les mots par leurs sons et offre pour chaque mot un grand choix de rimes possibles les mots sont regroupés selon un classement phonétique un répertoire de 8 000 rimes écrites permet de guider les recherches

dictionnaire de rimes dans un nouvel ordre tome 1 fnac - Jun 13 2023

web nov 1 2017 dictionnaire de rimes dans un nouvel ordre t 1 par richelet où se trouvent 1 les mots les genres des mots 2 un traité complet de la versification les règles des différents ouvrages en vers nouvelle édition revue corrigée augmentée et mise dans un nouvel ordre par m l abbé berthelin

dictionnaire de rimes dans un nouvel ordre t 1 cultura - Jul 02 2022

web dictionnaire de rimes dans un nouvel ordre t 1 aux éditions hachette bnf dictionnaire de rimes dans un nouvel ordre t 1 par richelet où se trouvent 1 les mots les genres des mots 2 un traité complet de la versification

dictionnaire de rimes dans un nouvel ordre t 1 goodreads - Nov 06 2022

web dictionnaire de rimes dans un nouvel ordre t 1 par richelet où se trouvent 1 les mots les genres des mots 2 un traité complet de la versification les règles des différents ouvrages en vers nouvelle édition revue corrigée augmentée et mise dans un nouvel ordre par m l abbé berthelin

dictionnaire de rimes dans un nouvel ordre t 2 - Mar 30 2022

web dictionnaire de rimes dans un nouvel ordre t 2 yazar pierre richelet yayınevleri hachette livre bnf kitap formatı ciltsiz İnce kapak

dictionnaire de rimes dans un nouvel ordre t 1 - Feb 09 2023

web dictionnaire de rimes dans un nouvel ordre t 1 richelet pierre 9782013511223 books amazon ca

dictionnaire de rimes dans un nouvel ordre t 1 broché fnac - May 12 2023

web oct 1 2014 résumé voir tout dictionnaire de rimes dans un nouvel ordre t 1 par richelet où se trouvent 1 les mots les genres des mots 2 un traité complet de la versification les règles des différents ouvrages en vers nouvelle édition revue corrigée augmentée et mise dans un nouvel ordre par m l abbé berthelin

dictionnaire de rimes wikipédia - Jan 28 2022

web dictionnaire de rimes avec un traité complet de versification édition revue corrigée augmentée et mise dans un nouvel ordre par l abbé berthelin chanoine de doué par César Pierre Richelet chez Charles Nicolas Poirion 1751

dictionnaire de rimes dans un nouvel ordre t 1 amazon fr - Apr 11 2023

web noté 5 retrouvez dictionnaire de rimes dans un nouvel ordre t 1 et des millions de livres en stock sur amazon fr achetez neuf ou d occasion

dictionnaire rimes dans un nouvel ordre abebooks - Jun 01 2022

web dictionnaire de rimes dans un nouvel ordre t 1 langues by richelet p and a great selection of related books art and collectibles available now at abebooks.com

dictionnaire de rimes dans un nouvel ordre ou se - Apr 30 2022

web dictionnaire de rimes dans un nouvel ordre où se trouvent texte imprimé par p richelet nouv éd 646 p 18 cm don de mr

dannreuther rel richelet pierre 1626 1698 auteur dannreuther henri 1855 1911 donateur français langue rimes dictionnaires 18e siècle

dictionnaire de rimes dans un nouvel ordre t 1 by pierre - Feb 26 2022

web may 25 2023 quelles sont les rimes de ordre rime avec ordre dictionnaire de rimes dans un nouvel ordre t 2

dictionnaire de rimes dans un nouvel ordre t 1 dictionnaire de rimes de richelet abebooks quelles sont les rimes de nouveau rime avec nouveau rimes dfinition de rimes et synonymes de rimes franais dictionnaire

dictionnaire de rimes dans un nouvel ordre tome 1 - Jul 14 2023

web dictionnaire de rimes dans un nouvel ordre tome 1 yazar pierre richelet yayınevleri hachette livre bnf kitap formatı ciltsiz İnce kapak

dictionnaire de rimes dans un nouvel ordre t 1 - Aug 15 2023

web dictionnaire de rimes dans un nouvel ordre t 1 yazar pierre richelet yayınevleri hachette livre bnf kitap formatı ciltsiz İnce kapak