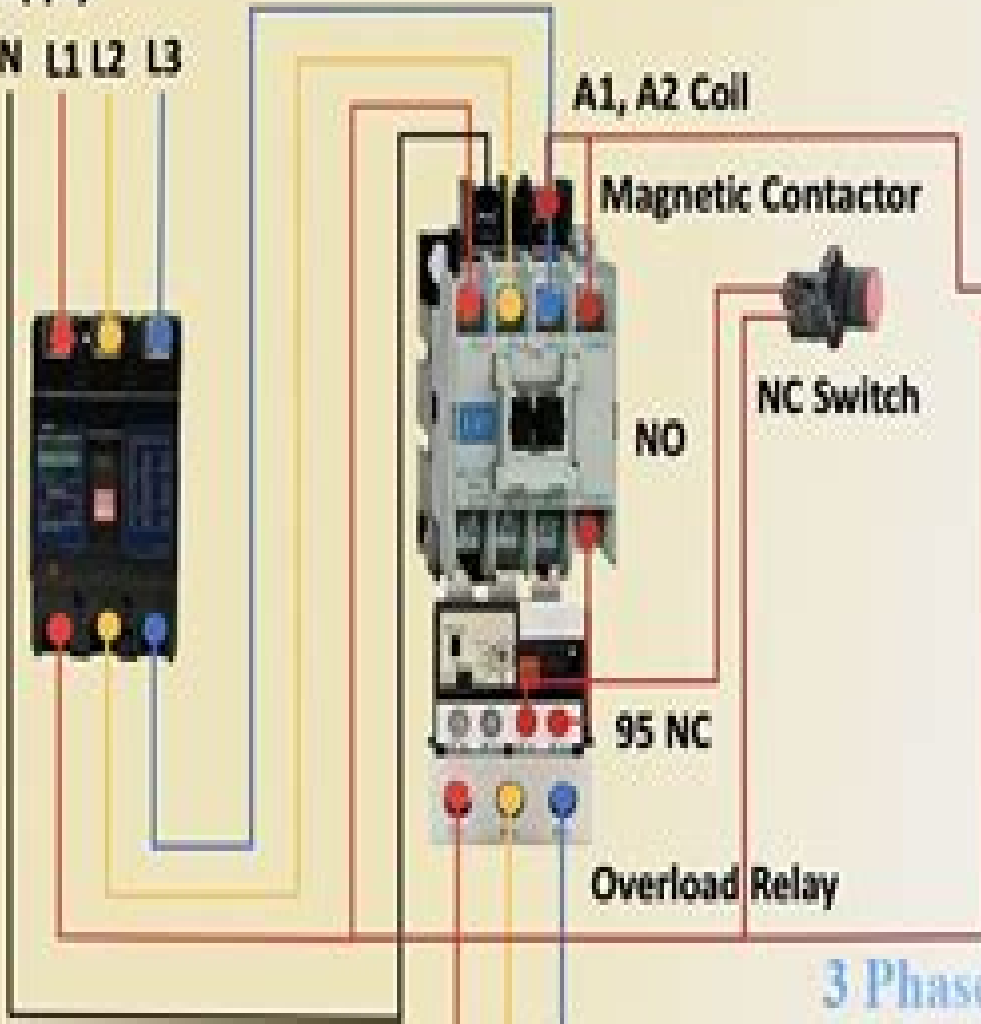


3 Phase Supply

N L1 L2 L3



MCCB



A1, A2 Coil

Magnetic Contactor

NO

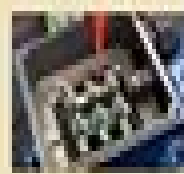
NC Switch

NO Switch

95 NC

Overload Relay

3 Phase Motor Starter Wiring



3 Phase Motor

How To Wire A 3 Phase Motor Starter For Single Phase

Yijin Wang



How To Wire A 3 Phase Motor Starter For Single Phase:

Commercial Electrical Wiring John E. Traister,2000 Commercial work uses more material and the work is usually smooth long lasting and more profitable than residential This updated book has the explanations examples and tips to help you comply with the parts of the NEC that apply to commercial wiring in load calculations sizing of electrical services selecting and installing overcurrent protection and more You ll also find how to read and understand symbols plans drawings and schematics common in commercial electrical work If you want to increase your work volume and profits by moving into commercial electrical work get this book

Handbook of Air Conditioning, Heating, and Ventilating Eugene Stamper, Richard L. Koral,1979 This comprehensive and acclaimed volume provides a wealth of practical information on the design installation and operation of air conditioning heating and ventilating systems

Essentials of Electric Motors and Controls Charles Trout,2010 Charles Trout longtime chairman of NEC Panel 12 and author of *Electrical Installation and Inspection* and the National Electrical Installation Standard on Electric Motors and Controls NECA has written a one of a kind summary of electric motor and control concepts This highly illustrated text will prove essential for in service electricians as well as assisting instructors with a textual overview for short courses on the topic

Westinghouse Catalog of Electrical Supplies Westinghouse Electric & Manufacturing Company,1923

Irrigation Theory And Practice - 2Nd Edn A M Michael,2009-11 It is a comprehensive treatise on Water Resources Development and Irrigation Management For the last 30 years the book has enjoyed the status of an definitive textbook on the subject It has now been thoroughly revised and updated and thus substantially enlarged In addition to the wholesale revision of the existing chapters three new chapters have been added to the book namely Lift Irrigation Systems and their Design Water Requirement of Crops and Irrigation Management and Economic Evaluation of Irrigation Projects and Water Pricing Policy

Electrical Installation Record,1929 *Railway Signaling and Communications* ,1915 **Electrical World** ,1909 [Cyclopedia of Applied Electricity](#) ,1921 **Bulletin - National Electric Light Association** ,1916

The Engaging World of Kindle Books: A Comprehensive Guide Unveiling the Benefits of E-book Books: A World of Convenience and Flexibility Kindle books, with their inherent mobility and ease of availability, have freed readers from the limitations of hardcopy books. Gone are the days of carrying bulky novels or meticulously searching for particular titles in shops. Kindle devices, stylish and lightweight, seamlessly store an extensive library of books, allowing readers to indulge in their preferred reads whenever, everywhere. Whether commuting on a busy train, relaxing on a sunny beach, or just cozying up in bed, Kindle books provide an unparalleled level of convenience. A Literary Universe Unfolded: Discovering the Vast Array of E-book How To Wire A 3 Phase Motor Starter For Single Phase How To Wire A 3 Phase Motor Starter For Single Phase The Kindle Store, a virtual treasure trove of literary gems, boasts an extensive collection of books spanning diverse genres, catering to every readers preference and choice. From captivating fiction and thought-provoking non-fiction to timeless classics and contemporary bestsellers, the E-book Store offers an exceptional abundance of titles to discover. Whether looking for escape through engrossing tales of imagination and exploration, diving into the depths of past narratives, or broadening ones understanding with insightful works of science and philosophical, the Kindle Store provides a doorway to a bookish universe brimming with limitless possibilities. A Revolutionary Force in the Literary Landscape: The Persistent Impact of Kindle Books How To Wire A 3 Phase Motor Starter For Single Phase The advent of E-book books has undoubtedly reshaped the bookish landscape, introducing a model shift in the way books are published, disseminated, and consumed. Traditional publication houses have embraced the digital revolution, adapting their approaches to accommodate the growing demand for e-books. This has led to a surge in the availability of Kindle titles, ensuring that readers have access to a vast array of literary works at their fingertips. Moreover, Kindle books have equalized access to literature, breaking down geographical limits and offering readers worldwide with similar opportunities to engage with the written word. Regardless of their place or socioeconomic background, individuals can now immerse themselves in the captivating world of books, fostering a global community of readers. Conclusion: Embracing the Kindle Experience How To Wire A 3 Phase Motor Starter For Single Phase E-book books How To Wire A 3 Phase Motor Starter For Single Phase, with their inherent ease, versatility, and vast array of titles, have undoubtedly transformed the way we experience literature. They offer readers the liberty to explore the limitless realm of written expression, whenever, everywhere. As we continue to navigate the ever-evolving digital scene, Kindle books stand as testament to the enduring power of storytelling, ensuring that the joy of reading remains accessible to all.

<https://staging.conocer.cide.edu/files/uploaded-files/Documents/modern%20physics%20chapter%20notes.pdf>

Table of Contents How To Wire A 3 Phase Motor Starter For Single Phase

1. Understanding the eBook How To Wire A 3 Phase Motor Starter For Single Phase
 - The Rise of Digital Reading How To Wire A 3 Phase Motor Starter For Single Phase
 - Advantages of eBooks Over Traditional Books
2. Identifying How To Wire A 3 Phase Motor Starter For Single Phase
 - Exploring Different Genres
 - Considering Fiction vs. Non-Fiction
 - Determining Your Reading Goals
3. Choosing the Right eBook Platform
 - Popular eBook Platforms
 - Features to Look for in an How To Wire A 3 Phase Motor Starter For Single Phase
 - User-Friendly Interface
4. Exploring eBook Recommendations from How To Wire A 3 Phase Motor Starter For Single Phase
 - Personalized Recommendations
 - How To Wire A 3 Phase Motor Starter For Single Phase User Reviews and Ratings
 - How To Wire A 3 Phase Motor Starter For Single Phase and Bestseller Lists
5. Accessing How To Wire A 3 Phase Motor Starter For Single Phase Free and Paid eBooks
 - How To Wire A 3 Phase Motor Starter For Single Phase Public Domain eBooks
 - How To Wire A 3 Phase Motor Starter For Single Phase eBook Subscription Services
 - How To Wire A 3 Phase Motor Starter For Single Phase Budget-Friendly Options
6. Navigating How To Wire A 3 Phase Motor Starter For Single Phase eBook Formats
 - ePub, PDF, MOBI, and More
 - How To Wire A 3 Phase Motor Starter For Single Phase Compatibility with Devices
 - How To Wire A 3 Phase Motor Starter For Single Phase Enhanced eBook Features
7. Enhancing Your Reading Experience
 - Adjustable Fonts and Text Sizes of How To Wire A 3 Phase Motor Starter For Single Phase
 - Highlighting and Note-Taking How To Wire A 3 Phase Motor Starter For Single Phase
 - Interactive Elements How To Wire A 3 Phase Motor Starter For Single Phase

8. Staying Engaged with How To Wire A 3 Phase Motor Starter For Single Phase
 - Joining Online Reading Communities
 - Participating in Virtual Book Clubs
 - Following Authors and Publishers How To Wire A 3 Phase Motor Starter For Single Phase
9. Balancing eBooks and Physical Books How To Wire A 3 Phase Motor Starter For Single Phase
 - Benefits of a Digital Library
 - Creating a Diverse Reading Collection How To Wire A 3 Phase Motor Starter For Single Phase
10. Overcoming Reading Challenges
 - Dealing with Digital Eye Strain
 - Minimizing Distractions
 - Managing Screen Time
11. Cultivating a Reading Routine How To Wire A 3 Phase Motor Starter For Single Phase
 - Setting Reading Goals How To Wire A 3 Phase Motor Starter For Single Phase
 - Carving Out Dedicated Reading Time
12. Sourcing Reliable Information of How To Wire A 3 Phase Motor Starter For Single Phase
 - Fact-Checking eBook Content of How To Wire A 3 Phase Motor Starter For Single Phase
 - Distinguishing Credible Sources
13. Promoting Lifelong Learning
 - Utilizing eBooks for Skill Development
 - Exploring Educational eBooks
14. Embracing eBook Trends
 - Integration of Multimedia Elements
 - Interactive and Gamified eBooks

How To Wire A 3 Phase Motor Starter For Single Phase Introduction

In the digital age, access to information has become easier than ever before. The ability to download How To Wire A 3 Phase Motor Starter For Single Phase has revolutionized the way we consume written content. Whether you are a student looking for course material, an avid reader searching for your next favorite book, or a professional seeking research papers, the option to download How To Wire A 3 Phase Motor Starter For Single Phase has opened up a world of possibilities.

Downloading How To Wire A 3 Phase Motor Starter For Single Phase provides numerous advantages over physical copies of

books and documents. Firstly, it is incredibly convenient. Gone are the days of carrying around heavy textbooks or bulky folders filled with papers. With the click of a button, you can gain immediate access to valuable resources on any device. This convenience allows for efficient studying, researching, and reading on the go. Moreover, the cost-effective nature of downloading How To Wire A 3 Phase Motor Starter For Single Phase has democratized knowledge. Traditional books and academic journals can be expensive, making it difficult for individuals with limited financial resources to access information. By offering free PDF downloads, publishers and authors are enabling a wider audience to benefit from their work. This inclusivity promotes equal opportunities for learning and personal growth. There are numerous websites and platforms where individuals can download How To Wire A 3 Phase Motor Starter For Single Phase. These websites range from academic databases offering research papers and journals to online libraries with an expansive collection of books from various genres. Many authors and publishers also upload their work to specific websites, granting readers access to their content without any charge. These platforms not only provide access to existing literature but also serve as an excellent platform for undiscovered authors to share their work with the world. However, it is essential to be cautious while downloading How To Wire A 3 Phase Motor Starter For Single Phase. Some websites may offer pirated or illegally obtained copies of copyrighted material. Engaging in such activities not only violates copyright laws but also undermines the efforts of authors, publishers, and researchers. To ensure ethical downloading, it is advisable to utilize reputable websites that prioritize the legal distribution of content. When downloading How To Wire A 3 Phase Motor Starter For Single Phase, users should also consider the potential security risks associated with online platforms. Malicious actors may exploit vulnerabilities in unprotected websites to distribute malware or steal personal information. To protect themselves, individuals should ensure their devices have reliable antivirus software installed and validate the legitimacy of the websites they are downloading from. In conclusion, the ability to download How To Wire A 3 Phase Motor Starter For Single Phase has transformed the way we access information. With the convenience, cost-effectiveness, and accessibility it offers, free PDF downloads have become a popular choice for students, researchers, and book lovers worldwide. However, it is crucial to engage in ethical downloading practices and prioritize personal security when utilizing online platforms. By doing so, individuals can make the most of the vast array of free PDF resources available and embark on a journey of continuous learning and intellectual growth.

FAQs About How To Wire A 3 Phase Motor Starter For Single Phase Books

1. Where can I buy How To Wire A 3 Phase Motor Starter For Single Phase books? Bookstores: Physical bookstores like Barnes & Noble, Waterstones, and independent local stores. Online Retailers: Amazon, Book Depository, and various

online bookstores offer a wide range of books in physical and digital formats.

2. What are the different book formats available? Hardcover: Sturdy and durable, usually more expensive. Paperback: Cheaper, lighter, and more portable than hardcovers. E-books: Digital books available for e-readers like Kindle or software like Apple Books, Kindle, and Google Play Books.
3. How do I choose a How To Wire A 3 Phase Motor Starter For Single Phase book to read? Genres: Consider the genre you enjoy (fiction, non-fiction, mystery, sci-fi, etc.). Recommendations: Ask friends, join book clubs, or explore online reviews and recommendations. Author: If you like a particular author, you might enjoy more of their work.
4. How do I take care of How To Wire A 3 Phase Motor Starter For Single Phase books? Storage: Keep them away from direct sunlight and in a dry environment. Handling: Avoid folding pages, use bookmarks, and handle them with clean hands. Cleaning: Gently dust the covers and pages occasionally.
5. Can I borrow books without buying them? Public Libraries: Local libraries offer a wide range of books for borrowing. Book Swaps: Community book exchanges or online platforms where people exchange books.
6. How can I track my reading progress or manage my book collection? Book Tracking Apps: Goodreads, LibraryThing, and Book Catalogue are popular apps for tracking your reading progress and managing book collections. Spreadsheets: You can create your own spreadsheet to track books read, ratings, and other details.
7. What are How To Wire A 3 Phase Motor Starter For Single Phase audiobooks, and where can I find them? Audiobooks: Audio recordings of books, perfect for listening while commuting or multitasking. Platforms: Audible, LibriVox, and Google Play Books offer a wide selection of audiobooks.
8. How do I support authors or the book industry? Buy Books: Purchase books from authors or independent bookstores. Reviews: Leave reviews on platforms like Goodreads or Amazon. Promotion: Share your favorite books on social media or recommend them to friends.
9. Are there book clubs or reading communities I can join? Local Clubs: Check for local book clubs in libraries or community centers. Online Communities: Platforms like Goodreads have virtual book clubs and discussion groups.
10. Can I read How To Wire A 3 Phase Motor Starter For Single Phase books for free? Public Domain Books: Many classic books are available for free as they're in the public domain. Free E-books: Some websites offer free e-books legally, like Project Gutenberg or Open Library.

Find How To Wire A 3 Phase Motor Starter For Single Phase :

[modern physics chapter notes](#)

modern control engineering ogata 4th edition solution manual

~~modules 1-9 everfi~~

~~mole calculation worksheet chemfiesta workout answers~~

~~modern chemistry review answer key pg 69~~

~~modern world history slo review~~

~~modern chemistry chapter 10-3 review answers~~

~~modicon premium plcs user manual~~

~~modern chemistry section 1 review answer key~~

~~momitsu tv owners manual~~

~~moments in the real world english edition~~

~~moi university fees structure~~

molecular approach 6th edition

molecular geometry answer keys

~~modern chemistry chapter 5 homework 5-5 answers~~

How To Wire A 3 Phase Motor Starter For Single Phase :

9783423303842 erlebnis musik eine kleine musikgeschichte - Jan 08 2023

web erlebnis musik eine kleine musikgeschichte 30384 de schaub stefan en iberlibro com isbn 10 3423303840 isbn 13

9783423303842 dtv verlagsgesellschaft 2000

erlebnis musik kleine musikgeschichte de schaub stefan iberlibro - Feb 26 2022

web jun 7 2023 analysieren klassische musik erlebnis musik eine kleine musikgeschichte isbn 13 schaub erlebnis musik

1993 eine kleine musikgeschichte stefan schaub

erlebnis musik eine kleine musikgeschichte abebooks - Apr 11 2023

web shop and buy erlebnis musik sheet music sheet music book by stefan schaub baerenreiter verlag at sheet music plus ba

bvk01168

erlebnis musik eine kleine musikgeschichte 2022 - Nov 25 2021

erlebnis musik eine kleine musikgeschichte 30384 - Aug 15 2023

web erlebnis musik eine kleine musikgeschichte 30384 schaub stefan amazon com tr kitap

erlebnis musik kleine musikgeschichte abebooks - Oct 05 2022

web jun 27 2023 *erlebnis musik eine kleine musikgeschichte taschenbuch kartoniert paperback 272 seiten deutsch dtv 2012 musikgeschichte einmal anders nicht als*

erlebnis musik eine kleine musikgeschichte open library - Nov 06 2022

web *erlebnis musik eine kleine musikgeschichte* and a great selection of related books art and collectibles available now at abebooks com

erlebnis musik eine kleine musikgeschichte by stefan schaub - Sep 04 2022

web *erlebnis musik book read reviews from world s largest community for readers*

erlebnis musik eine kleine musikgeschichte paperback - Jul 02 2022

web *erlebnis musik eine kleine musikgeschichte stefan schaub isbn 9783761811689 kostenloser versand für alle bücher mit versand und verkauf duch amazon*

geschichten mit musik und fantasie die fachseite für - Jul 14 2023

web *erlebnis musik eine kleine musikgeschichte dtv bärenreiter 30384 vom autor überarb ausgabe v ewig fernes paradies einföhrung in klassische musik schaub*

erlebnis musik eine kleine musikgeschichte amazon de - Sep 16 2023

web *erlebnis musik eine kleine musikgeschichte schaub stefan isbn 9783423303842 kostenloser versand für alle bücher mit versand und verkauf duch amazon*

erlebnis musik eine kleine musikgeschichte by stefan schaub - Mar 30 2022

web *erlebnis musik eine kleine musikgeschichte taschenbuch von stefan schaub autor de schaub stefan y una gran selección de libros arte y artículos de colección*

erlebnis musik eine kleine musikgeschichte by stefan schaub - Aug 03 2022

web *erlebnis musik eine kleine musikgeschichte schaub stefan amazon co uk books*

erlebnis musik buch musikseminare - Apr 30 2022

web jun 26 2023 *erlebnis musik eine kleine musikgeschichte von schaub stefan und eine große auswahl ähnlicher bücher kunst und sammlerstücke erhältlich auf zvb das buch*

erlebnis musik eine kleine musikgeschichte stefan schaub - Dec 27 2021

web *deutsche musik durch den glauben an die eigene überlegenheit geraten war spiegelt der titel mit dem aufgriff der formel von der adeutschen leitkulturo inhalt vorwort i*

erlebnis musik eine kleine musikgeschichte 30384 iberlibro com - Dec 07 2022

web feb 1 2000 *erlebnis musik eine kleine musikgeschichte by stefan schaub february 1 2000 dtv edition paperback eine kleine musikgeschichte by stefan schaub open*

[musikgeschichte für kinder eine spannende zeitreise](#) - Feb 09 2023

web erlebnis musik eine kleine musikgeschichte 4 avg rating 4 ratings by goodreads softcover isbn 10 3423303840isbn 13 9783423303842 publisher dtv this specific

erlebnis musik eine kleine musikgeschichte by stefan schaub - Jan 28 2022

web erlebnis musik eine kleine musikgeschichte stefan schaub isbn 9790006310227 your number one expert in sheet music musical accessories with stores in antwerp and

erlebnis musik kleine musikgeschichte von stefan schaub zvab - May 12 2023

web abebooks com erlebnis musik eine kleine musikgeschichte 9783423303842 by schaub stefan and a great selection of similar new used and collectible books

erlebnis musik by stefan schaub sheet music plus - Mar 10 2023

web nov 1 2004 eine spannende zeitreise durch die musikgeschichte hat sich nicht schon jeder einmal gewünscht eine zeitreise zu machen und für einen moment in einem

erlebnis musik von schaub zvab - Jun 13 2023

web erlebnis musik eine kleine musikgeschichte dtv bärenreiter 30384 vom autor überarb ausgabe v ewig fernes paradies einföhrung in klassische musik schaub

[erlebnis musik eine kleine musikgeschichte amazon de](#) - Jun 01 2022

web musikgeschichte einmal anders bereits die kapitel Überschriften zeigen den eigenwilligen ansatz dieses buches was heißt aktiv musik erleben wie schreibt man eine

which statement about iambic pentameter which is used in sonnet - Feb 15 2022

web jul 31 2019 the statement about iambic pentameter which is used in sonnet 29 is option a an iamb consists of a unstressed syllable followed by a stressed syllable what do you mean by iambic pentameter iambic pentameter is refers to as a line of poetry that has more than three iambs in it and it is utilized in drama and poetry shakespeare uses

form the shakespearean sonnet and petrarchan sonnet - Jan 29 2023

web in this lesson we will learn how to recognise iambic pentameter in sonnets we will continue to use shakespeare s sonnet 130 as an example grid view list view presentation video intro quiz project in class exit quiz project in class transcript the sonnet through time introduction to the sonnet

[what is iambic pentameter an explanation examples](#) - Oct 06 2023

web dec 6 2022 put simply iambic pentameter is a metrical speech rhythm that is natural to the english language shakespeare used iambic pentameter because it closely resembles the rhythm of everyday speech and he no doubt wanted to imitate everyday speech in his plays why shakespeare loved iambic pentameter

5 iambic pentameter by mike o brien sixty odd poems - Sep 05 2023

web nov 5 2023 share you have to love a bit of iambic pentameter it is the poetic rhythm that shakespeare used to write his sonnets and his plays and once you get the knack of listening to it reading it or writing in it it takes up residence in your mind and if you aren't careful you can actually start thinking in it

understanding shakespearean sonnets and iambic pentameter - Dec 28 2022

web read the article entitled an introduction to iambic pentameter to clarify your understanding of iambic pentameter watch this video produced by the royal shakespeare company about the use of iambic pentameter in shakespeare's sonnets what is a shakespearean sonnet sonnet 18 is a well known example of the shakespearean

form the shakespearean sonnet and petrarchan sonnet oak - May 01 2023

web in this lesson we will learn how to recognise iambic pentameter in sonnets we will continue to use shakespeare's sonnet 130 as an example this quiz includes images that don't have any alt text please contact your teacher who should be able to help you with an audio description

ap literature the sonnet quatrain iambic pentameter - Apr 19 2022

web link for resources docs google.com presentation d10x0hs1lpxnwedaryzj12omxd2m thud7tp84fnkvq6y edit usp sharing apush sonnet welcome to elena's vi

iambic pentameter every sonnet poets collective multisite - Sep 24 2022

web this is a sonnet form invented and named by jose rizal m reyes of the philippines it is stanzaic consisting of three quatrains and a rhyming couplet it is written in iambic pentameter the rhyme scheme is abbb cc bb ddbb ee where the red letters indicate feminine rhyme my example poppy's pride volcanic workshop

how to write a sonnet in iambic pentameter pen and the pad - Jul 23 2022

web how to write a sonnet in iambic pentameter a sonnet is a form of poetry with a long and romantic history the form adds power to writing by drawing on this history it has a strict number of lines and ways of rhyming and it uses the iambic meter the sonnet always has 14 lines and 10 syllables in each line writing

sonnets and iambic pentameter manchester university - Jun 02 2023

web sonnets and iambic pentameter iambic pentameter a form of poetry that has ten syllables to a line alternating unstressed then stressed syllable stress syllables break our words up into sections which can be stressed or unstressed which syllable is stressed alters the pronunciation of the word try saying the following words aloud

what is iambic pentameter definition and examples studiobinder - Oct 26 2022

web apr 25 2021 iamb an iamb is a metrical unit that combines an unstressed syllable and a stressed emphasized syllable iamb examples a bove at tempt in love penta greek word for five meter rhythm structure that's used to keep a pace

pentameter a rhythm structure that is used to keep a pace of five

[what is an iambic pentameter sonnet language humanities](#) - May 21 2022

web aug 25 2023 francesco petrarca created a sonnet form that can employ iambic pentameter the iambic pentameter sonnet is flexible enough to use any rhyming system used for sonnet the most common types are the shakespearean and the petrarchan the shakespearean system employs three quatrains with an a b a b c d c d e f e f

[quora](#) - Mar 19 2022

web we would like to show you a description here but the site won't allow us

pdf soccer sonnets iambic pentameter - Jul 03 2023

web iambic pentameter may 17 2021 iambic pentameter is comprised completely of english shakespearean sonnets half of which express the traditional themes love death friendship and time the second half of the book contains sonnets which explore different themes 3 sep 01 2022 3 is a short poetry collection of shakespearean

how to figure out if something is iambic pentameter - Nov 26 2022

web nov 22 2020 are there any ways/tricks in which i can figure out if my poem is in iambic pentameter which is the format shakespeare used besides just having to sound it out and just speculation if shakespeare wrote all of his sonnets in iambic pentameter then why are the words shakespearean sonnet not in an iambic rhythm

shakespearean sonnet basics iambic pentameter and the english sonnet - Feb 27 2023

web shakespeare's sonnets are written predominantly in a meter called iambic pentameter a rhyme scheme in which each sonnet line consists of ten syllables the syllables are divided into five pairs called iambs or iambic feet an iamb is a metrical unit made up of one unstressed syllable followed by one stressed syllable

[iambic pentameter definition and examples tck publishing](#) - Aug 24 2022

web based on these two checks the above line is in iambic pentameter examples of iambic pentameter in literature shakespeare's sonnets are known for using iambic pentameter check out the examples below example 1 sonnet 18 by william shakespeare shall i compare thee to a summer's day

iambic pentameter wikipedia - Aug 04 2023

web william shakespeare famously used iambic pentameter in his plays and sonnets john milton in his *paradise lost* and william wordsworth in the *prelude* as lines in iambic pentameter usually contain ten syllables it is considered a form of decasyllabic verse

what is a sonnet bbc bitesize - Mar 31 2023

web learn about the conventions of a sonnet shakespearean sonnets and petrarchan sonnets iambic pentameter and rhyme in this ks3 english bbc bitesize article

iambic pentameter definition and examples grammarly - Jun 21 2022

web mar 6 2023 iambic pentameter pronounced eye am bik pen tam i ter is a rhythmic pattern that consists of ten syllables per line with alternating stressed and unstressed syllables the pattern that emerges sounds like this da

master s programmes centre for financial and management studies - Jan 08 2023

web finance financial sector management the msc finance financial sector management is designed to advance a career in management within banks and other financial firms it enables you to deepen your understanding of the principles applications and context underlying decision making in financial sector management

centre for global finance soas - Mar 30 2022

web the centre undertakes rigorous research which resonates with policy and practice exploring mega trends in global finance and how they impact development in the international financial system and the global economy

international center for finance yale school of management - Apr 11 2023

web dec 13 2021 the international center for finance icf brings together faculty students and practitioners to foster leadership in the understanding practice and management of finance from multiple perspectives its goal is to support innovative research and educational activities within the context of yale school of management s broader

centre for financial and management studies soas - Jun 13 2023

web the centre for financial and management studies offers distance learning programmes as part of the university of london international programmes our mission is to increase professional understanding of modern finance management and related subjects by advanced research and by making the university of london s expertise accessible

cefis bilgi finansal uygulama ve araştırma merkezi - May 12 2023

web the center s research is focused on asset pricing quantitative finance corporate finance investment and risk management international finance behavioral finance and economics market microstructure macroeconomics application of operations research and forecasting models on economics and finance

msc international finance and development soas - Aug 03 2022

web the msc international finance and development students take five core modules in macroeconomics financial systems and economic development international finance econometrics and advanced econometrics

finance and management short courses soas - Oct 05 2022

web finance and management short courses at soas university of london an individual professional award ipa is the perfect option for those looking to update their professional skills specialise in a particular area or see if distance learning is right for them without the commitment of a full programme finance and management short courses soas

msc financial management soas - Jul 02 2022

web the msc financial management provides you with the opportunity to study in the heart of london close to one of the world's premier financial centres with highly dynamic firms operating in banking insurance fintech and the financial services ecosystem

finance in the global market centre for financial and management - Dec 07 2022

web explain the differences and relative merits of project finance compared to corporate finance as methods of raising international finance compare them with the main features of first and second generation models

İstanbul uluslararası finans merkezi csb gov tr - Feb 26 2022

web İstanbul uluslararası finans merkezi projesinin ivedilikle hayata geçirilmesi ve planlama ile tasarım bütünlüğünün sağlanması amacıyla İstanbul'un 2023 yılında dünyadaki en önemli 10 finans merkezi içinde yer alması hedefinden yola çıkılarak İstanbul'un öncelikle bölgesel nihai olarak da küresel bir finans merkezi olması için atılacak adımlardan birisi olan

international finance undergraduate program eastern - Jun 01 2022

web the fundamental aim of the international finance undergraduate program is to offer solid foundation in global financial sectors internet banking currency policies and international accounting upon completing their studies program graduates may undertake employment opportunities at international finance sectors and centers

study programmes centre for financial and management studies - Mar 10 2023

web finance and financial law msc finance and financial law postgraduate diploma in finance and financial law financial law postgraduate certificate in financial law international management msc international business administration postgraduate diploma in international business administration postgraduate certificate in

msc finance economic policy centre for financial and management studies - Sep 04 2022

web the msc finance enables you to deepen your understanding of financial markets banks and their relation to economic performance it provides a sound platform for advancing your career in finance and policy because finance is so wide ranging the degree enables you to choose between four majors banking

research degrees finance and management mphil phd soas - Jan 28 2022

web the full time phd programme normally requires three years of study in london the school of finance and management phd programme provides supervision in a number of fields within finance and management we concentrate on topics in fields which are actively being researched by faculty members

international finance centre for financial and management studies - Aug 15 2023

web introduction the emergence of an open liberal international financial order has been one of most notable developments in the global economy in the last 20 years the growth of a more open international economy since the second world war produced an international environment in which markets have bypassed national regulations and financial

finance and management soas - Nov 06 2022

web study finance and management at soas university of london department of politics and international studies foundation college school of arts school of finance and management centre for financial and management studies centre for

centre for financial and management studies soas university - Jul 14 2023

web study a postgraduate degree by distance learning with soas and gain an internationally recognised university of london qualification our degrees offer you flexibility to fit your studies around your professional and personal commitments and build up a global network of professional contacts

msc finance financial sector management centre for financial - Feb 09 2023

web the msc finance financial sector management is designed to advance a career in management within banks and other financial firms it enables you to deepen your understanding of the principles applications and context underlying decision making in financial sector management

ifc İstanbul financial center - Apr 30 2022

web istanbul financial center ifc strategically important to türkiye s economy and the flow of international capital istanbul financial center ifc is a global financial services hub with easy access to world markets istanbul has been a central trade route for centuries connecting east and west and it remains at the heart of new

money laundering poses a risk to financial sector stability imf - Dec 27 2021

web sep 4 2023 the bottom line is that continued analysis of financial integrity s impact on stability can fortify the global financial system against money laundering shocks returning to the nordic baltic project the region s narrative serves as a cautionary tale invest in preventive and mitigating measures before the scandal is at your doorstep