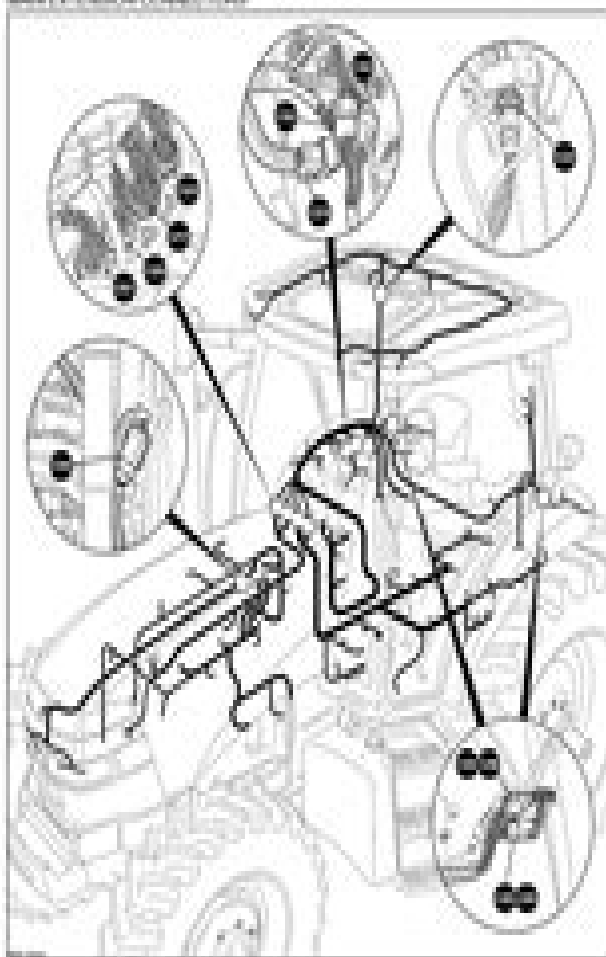
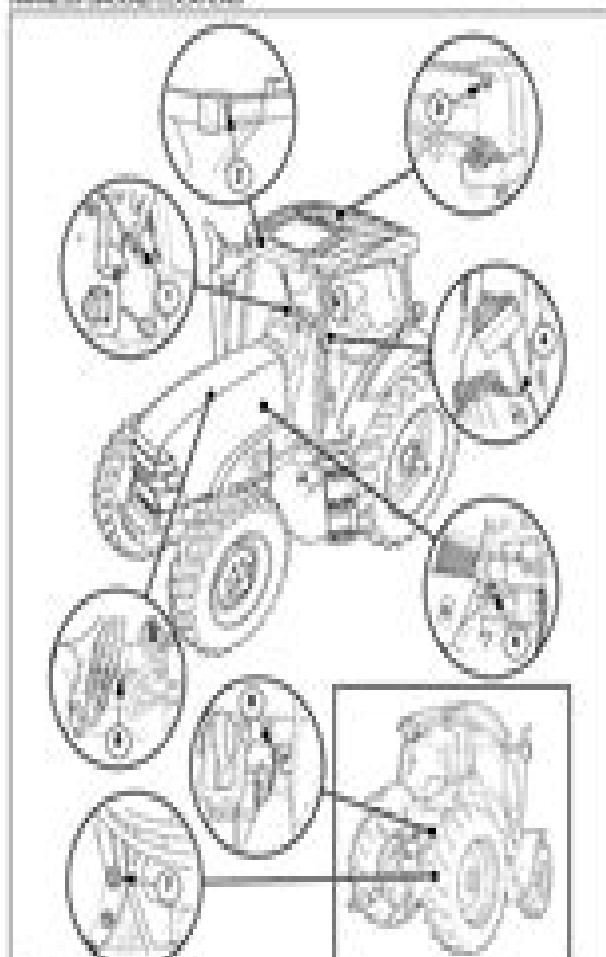


TABLE 7-1: WIRING CONNECTIONS



- The number of the callout refers to terminals connected to ground.
- |                                      |   |
|--------------------------------------|---|
| 0001 - Ignition to Coil Terminal     | 0009 - Ignition - Igniter               |
| 0002 - Transmission to Coil Terminal | 0010 - Ignition - Igniter               |
| 0003 - Transmission to Coil Terminal | 0011 - Ignition to Distributor Terminal |
| 0004 - Ignition to Igniter Terminal  | 0012 - Ignition to Distributor Terminal |
| 0005 - Ignition to Igniter Terminal  | 0013 - Ignition to Distributor Terminal |
| 0006 - Ignition to Igniter Terminal  | 0014 - Ignition to Distributor Terminal |
| 0007 - Ignition to Igniter Terminal  | 0015 - Ignition to Distributor Terminal |
| 0008 - Ignition to Igniter Terminal  |   |

TABLE 7-2: WIRING CONNECTIONS



- These are the grounding points, one for each terminal, on 0001 wires (unless battery negative is grounded to chassis).
- |                         |                          |
|-------------------------|--------------------------|
| 1. Ignition to Igniter  | 16. Ignition to Igniter  |
| 2. Ignition to Igniter  | 17. Ignition to Igniter  |
| 3. Ignition to Igniter  | 18. Ignition to Igniter  |
| 4. Ignition to Igniter  | 19. Ignition to Igniter  |
| 5. Ignition to Igniter  | 20. Ignition to Igniter  |
| 6. Ignition to Igniter  | 21. Ignition to Igniter  |
| 7. Ignition to Igniter  | 22. Ignition to Igniter  |
| 8. Ignition to Igniter  | 23. Ignition to Igniter  |
| 9. Ignition to Igniter  | 24. Ignition to Igniter  |
| 10. Ignition to Igniter | 25. Ignition to Igniter  |
| 11. Ignition to Igniter | 26. Ignition to Igniter  |
| 12. Ignition to Igniter | 27. Ignition to Igniter  |
| 13. Ignition to Igniter | 28. Ignition to Igniter  |
| 14. Ignition to Igniter | 29. Ignition to Igniter  |
| 15. Ignition to Igniter | 30. Ignition to Igniter  |
| 16. Ignition to Igniter | 31. Ignition to Igniter  |
| 17. Ignition to Igniter | 32. Ignition to Igniter  |
| 18. Ignition to Igniter | 33. Ignition to Igniter  |
| 19. Ignition to Igniter | 34. Ignition to Igniter  |
| 20. Ignition to Igniter | 35. Ignition to Igniter  |
| 21. Ignition to Igniter | 36. Ignition to Igniter  |
| 22. Ignition to Igniter | 37. Ignition to Igniter  |
| 23. Ignition to Igniter | 38. Ignition to Igniter  |
| 24. Ignition to Igniter | 39. Ignition to Igniter  |
| 25. Ignition to Igniter | 40. Ignition to Igniter  |
| 26. Ignition to Igniter | 41. Ignition to Igniter  |
| 27. Ignition to Igniter | 42. Ignition to Igniter  |
| 28. Ignition to Igniter | 43. Ignition to Igniter  |
| 29. Ignition to Igniter | 44. Ignition to Igniter  |
| 30. Ignition to Igniter | 45. Ignition to Igniter  |
| 31. Ignition to Igniter | 46. Ignition to Igniter  |
| 32. Ignition to Igniter | 47. Ignition to Igniter  |
| 33. Ignition to Igniter | 48. Ignition to Igniter  |
| 34. Ignition to Igniter | 49. Ignition to Igniter  |
| 35. Ignition to Igniter | 50. Ignition to Igniter  |
| 36. Ignition to Igniter | 51. Ignition to Igniter  |
| 37. Ignition to Igniter | 52. Ignition to Igniter  |
| 38. Ignition to Igniter | 53. Ignition to Igniter  |
| 39. Ignition to Igniter | 54. Ignition to Igniter  |
| 40. Ignition to Igniter | 55. Ignition to Igniter  |
| 41. Ignition to Igniter | 56. Ignition to Igniter  |
| 42. Ignition to Igniter | 57. Ignition to Igniter  |
| 43. Ignition to Igniter | 58. Ignition to Igniter  |
| 44. Ignition to Igniter | 59. Ignition to Igniter  |
| 45. Ignition to Igniter | 60. Ignition to Igniter  |
| 46. Ignition to Igniter | 61. Ignition to Igniter  |
| 47. Ignition to Igniter | 62. Ignition to Igniter  |
| 48. Ignition to Igniter | 63. Ignition to Igniter  |
| 49. Ignition to Igniter | 64. Ignition to Igniter  |
| 50. Ignition to Igniter | 65. Ignition to Igniter  |
| 51. Ignition to Igniter | 66. Ignition to Igniter  |
| 52. Ignition to Igniter | 67. Ignition to Igniter  |
| 53. Ignition to Igniter | 68. Ignition to Igniter  |
| 54. Ignition to Igniter | 69. Ignition to Igniter  |
| 55. Ignition to Igniter | 70. Ignition to Igniter  |
| 56. Ignition to Igniter | 71. Ignition to Igniter  |
| 57. Ignition to Igniter | 72. Ignition to Igniter  |
| 58. Ignition to Igniter | 73. Ignition to Igniter  |
| 59. Ignition to Igniter | 74. Ignition to Igniter  |
| 60. Ignition to Igniter | 75. Ignition to Igniter  |
| 61. Ignition to Igniter | 76. Ignition to Igniter  |
| 62. Ignition to Igniter | 77. Ignition to Igniter  |
| 63. Ignition to Igniter | 78. Ignition to Igniter  |
| 64. Ignition to Igniter | 79. Ignition to Igniter  |
| 65. Ignition to Igniter | 80. Ignition to Igniter  |
| 66. Ignition to Igniter | 81. Ignition to Igniter  |
| 67. Ignition to Igniter | 82. Ignition to Igniter  |
| 68. Ignition to Igniter | 83. Ignition to Igniter  |
| 69. Ignition to Igniter | 84. Ignition to Igniter  |
| 70. Ignition to Igniter | 85. Ignition to Igniter  |
| 71. Ignition to Igniter | 86. Ignition to Igniter  |
| 72. Ignition to Igniter | 87. Ignition to Igniter  |
| 73. Ignition to Igniter | 88. Ignition to Igniter  |
| 74. Ignition to Igniter | 89. Ignition to Igniter  |
| 75. Ignition to Igniter | 90. Ignition to Igniter  |
| 76. Ignition to Igniter | 91. Ignition to Igniter  |
| 77. Ignition to Igniter | 92. Ignition to Igniter  |
| 78. Ignition to Igniter | 93. Ignition to Igniter  |
| 79. Ignition to Igniter | 94. Ignition to Igniter  |
| 80. Ignition to Igniter | 95. Ignition to Igniter  |
| 81. Ignition to Igniter | 96. Ignition to Igniter  |
| 82. Ignition to Igniter | 97. Ignition to Igniter  |
| 83. Ignition to Igniter | 98. Ignition to Igniter  |
| 84. Ignition to Igniter | 99. Ignition to Igniter  |
| 85. Ignition to Igniter | 100. Ignition to Igniter |

# Manual Case Ih Mxu 115

**SB Merriam**



**Manual Case Ih Mxu 115:**

When people should go to the ebook stores, search creation by shop, shelf by shelf, it is in reality problematic. This is why we give the books compilations in this website. It will enormously ease you to look guide **Manual Case Ih Mxu 115** as you such as.

By searching the title, publisher, or authors of guide you really want, you can discover them rapidly. In the house, workplace, or perhaps in your method can be all best area within net connections. If you object to download and install the Manual Case Ih Mxu 115, it is certainly easy then, past currently we extend the associate to purchase and create bargains to download and install Manual Case Ih Mxu 115 appropriately simple!

<https://staging.conocer.cide.edu/files/virtual-library/Documents/lab%20manual%20biology%2011%20class%20cbse.pdf>

## **Table of Contents Manual Case Ih Mxu 115**

1. Understanding the eBook Manual Case Ih Mxu 115
  - The Rise of Digital Reading Manual Case Ih Mxu 115
  - Advantages of eBooks Over Traditional Books
2. Identifying Manual Case Ih Mxu 115
  - Exploring Different Genres
  - Considering Fiction vs. Non-Fiction
  - Determining Your Reading Goals
3. Choosing the Right eBook Platform
  - Popular eBook Platforms
  - Features to Look for in an Manual Case Ih Mxu 115
  - User-Friendly Interface
4. Exploring eBook Recommendations from Manual Case Ih Mxu 115
  - Personalized Recommendations
  - Manual Case Ih Mxu 115 User Reviews and Ratings
  - Manual Case Ih Mxu 115 and Bestseller Lists

5. Accessing Manual Case Ih Mxu 115 Free and Paid eBooks
  - Manual Case Ih Mxu 115 Public Domain eBooks
  - Manual Case Ih Mxu 115 eBook Subscription Services
  - Manual Case Ih Mxu 115 Budget-Friendly Options
6. Navigating Manual Case Ih Mxu 115 eBook Formats
  - ePub, PDF, MOBI, and More
  - Manual Case Ih Mxu 115 Compatibility with Devices
  - Manual Case Ih Mxu 115 Enhanced eBook Features
7. Enhancing Your Reading Experience
  - Adjustable Fonts and Text Sizes of Manual Case Ih Mxu 115
  - Highlighting and Note-Taking Manual Case Ih Mxu 115
  - Interactive Elements Manual Case Ih Mxu 115
8. Staying Engaged with Manual Case Ih Mxu 115
  - Joining Online Reading Communities
  - Participating in Virtual Book Clubs
  - Following Authors and Publishers Manual Case Ih Mxu 115
9. Balancing eBooks and Physical Books Manual Case Ih Mxu 115
  - Benefits of a Digital Library
  - Creating a Diverse Reading Collection Manual Case Ih Mxu 115
10. Overcoming Reading Challenges
  - Dealing with Digital Eye Strain
  - Minimizing Distractions
  - Managing Screen Time
11. Cultivating a Reading Routine Manual Case Ih Mxu 115
  - Setting Reading Goals Manual Case Ih Mxu 115
  - Carving Out Dedicated Reading Time
12. Sourcing Reliable Information of Manual Case Ih Mxu 115
  - Fact-Checking eBook Content of Manual Case Ih Mxu 115
  - Distinguishing Credible Sources
13. Promoting Lifelong Learning

- Utilizing eBooks for Skill Development
  - Exploring Educational eBooks
14. Embracing eBook Trends
- Integration of Multimedia Elements
  - Interactive and Gamified eBooks

### **Manual Case Ih Mxu 115 Introduction**

In the digital age, access to information has become easier than ever before. The ability to download Manual Case Ih Mxu 115 has revolutionized the way we consume written content. Whether you are a student looking for course material, an avid reader searching for your next favorite book, or a professional seeking research papers, the option to download Manual Case Ih Mxu 115 has opened up a world of possibilities. Downloading Manual Case Ih Mxu 115 provides numerous advantages over physical copies of books and documents. Firstly, it is incredibly convenient. Gone are the days of carrying around heavy textbooks or bulky folders filled with papers. With the click of a button, you can gain immediate access to valuable resources on any device. This convenience allows for efficient studying, researching, and reading on the go. Moreover, the cost-effective nature of downloading Manual Case Ih Mxu 115 has democratized knowledge. Traditional books and academic journals can be expensive, making it difficult for individuals with limited financial resources to access information. By offering free PDF downloads, publishers and authors are enabling a wider audience to benefit from their work. This inclusivity promotes equal opportunities for learning and personal growth. There are numerous websites and platforms where individuals can download Manual Case Ih Mxu 115. These websites range from academic databases offering research papers and journals to online libraries with an expansive collection of books from various genres. Many authors and publishers also upload their work to specific websites, granting readers access to their content without any charge. These platforms not only provide access to existing literature but also serve as an excellent platform for undiscovered authors to share their work with the world. However, it is essential to be cautious while downloading Manual Case Ih Mxu 115. Some websites may offer pirated or illegally obtained copies of copyrighted material. Engaging in such activities not only violates copyright laws but also undermines the efforts of authors, publishers, and researchers. To ensure ethical downloading, it is advisable to utilize reputable websites that prioritize the legal distribution of content. When downloading Manual Case Ih Mxu 115, users should also consider the potential security risks associated with online platforms. Malicious actors may exploit vulnerabilities in unprotected websites to distribute malware or steal personal information. To protect themselves, individuals should ensure their devices have reliable antivirus software installed and validate the legitimacy of the websites they are downloading from. In conclusion, the ability to download Manual Case Ih Mxu 115 has transformed the way we

access information. With the convenience, cost-effectiveness, and accessibility it offers, free PDF downloads have become a popular choice for students, researchers, and book lovers worldwide. However, it is crucial to engage in ethical downloading practices and prioritize personal security when utilizing online platforms. By doing so, individuals can make the most of the vast array of free PDF resources available and embark on a journey of continuous learning and intellectual growth.

### **FAQs About Manual Case Ih Mxu 115 Books**

How do I know which eBook platform is the best for me? Finding the best eBook platform depends on your reading preferences and device compatibility. Research different platforms, read user reviews, and explore their features before making a choice. Are free eBooks of good quality? Yes, many reputable platforms offer high-quality free eBooks, including classics and public domain works. However, make sure to verify the source to ensure the eBook credibility. Can I read eBooks without an eReader? Absolutely! Most eBook platforms offer webbased readers or mobile apps that allow you to read eBooks on your computer, tablet, or smartphone. How do I avoid digital eye strain while reading eBooks? To prevent digital eye strain, take regular breaks, adjust the font size and background color, and ensure proper lighting while reading eBooks. What the advantage of interactive eBooks? Interactive eBooks incorporate multimedia elements, quizzes, and activities, enhancing the reader engagement and providing a more immersive learning experience. Manual Case Ih Mxu 115 is one of the best book in our library for free trial. We provide copy of Manual Case Ih Mxu 115 in digital format, so the resources that you find are reliable. There are also many Ebooks of related with Manual Case Ih Mxu 115. Where to download Manual Case Ih Mxu 115 online for free? Are you looking for Manual Case Ih Mxu 115 PDF? This is definitely going to save you time and cash in something you should think about. If you trying to find then search around for online. Without a doubt there are numerous these available and many of them have the freedom. However without doubt you receive whatever you purchase. An alternate way to get ideas is always to check another Manual Case Ih Mxu 115. This method for see exactly what may be included and adopt these ideas to your book. This site will almost certainly help you save time and effort, money and stress. If you are looking for free books then you really should consider finding to assist you try this. Several of Manual Case Ih Mxu 115 are for sale to free while some are payable. If you arent sure if the books you would like to download works with for usage along with your computer, it is possible to download free trials. The free guides make it easy for someone to free access online library for download books to your device. You can get free download on free trial for lots of books categories. Our library is the biggest of these that have literally hundreds of thousands of different products categories represented. You will also see that there are specific sites catered to different product types or categories, brands or niches related with Manual Case Ih Mxu 115. So depending on what exactly you are searching, you will be able to choose e books to suit your

own need. Need to access completely for Campbell Biology Seventh Edition book? Access Ebook without any digging. And by having access to our ebook online or by storing it on your computer, you have convenient answers with Manual Case Ih Mxu 115 To get started finding Manual Case Ih Mxu 115, you are right to find our website which has a comprehensive collection of books online. Our library is the biggest of these that have literally hundreds of thousands of different products represented. You will also see that there are specific sites catered to different categories or niches related with Manual Case Ih Mxu 115 So depending on what exactly you are searching, you will be able to choose ebook to suit your own need. Thank you for reading Manual Case Ih Mxu 115. Maybe you have knowledge that, people have search numerous times for their favorite readings like this Manual Case Ih Mxu 115, but end up in harmful downloads. Rather than reading a good book with a cup of coffee in the afternoon, instead they juggled with some harmful bugs inside their laptop. Manual Case Ih Mxu 115 is available in our book collection an online access to it is set as public so you can download it instantly. Our digital library spans in multiple locations, allowing you to get the most less latency time to download any of our books like this one. Merely said, Manual Case Ih Mxu 115 is universally compatible with any devices to read.

**Find Manual Case Ih Mxu 115 :**

~~lab manual biology 11 class cbse~~

~~lake county eoc study guide~~

~~laboratory manual exercise 39 answer key~~

~~laboratory exercise 40 heart structure~~

**laboratory manual in biology for class 12**

**laguardia college midterm answer guide**

~~labor market trends guided answers~~

**lab report write up layout**

**lab manual social science10**

~~labor economics borjas solution~~

**labeling waves practice answer key**

~~lagun milling machine repair manual~~

~~lady loves vol i~~

~~lady in the mist english edition~~

**lamborghini aventador j unica owner**



**Manual Case Ih Mxu 115 :**

Management by Stephen P. Robbins, Mary Coulter 11th ... Management by Stephen P. Robbins, Mary Coulter 11th edition (2010) Hardcover ; Arrives after Christmas. Need a gift sooner? Send an Amazon Gift Card instantly by ... Management Eleventh Edition (Eleventh Edition) - Books Robbins and Coulter's best-selling text demonstrates the real-world applications of management concepts and makes management come alive by bringing real ... Management - Stephen P. Robbins, Mary K. Coulter Bibliographic information ; Edition, 11, illustrated ; Publisher, Pearson, 2012 ; ISBN, 0273752774, 9780273752776 ; Length, 671 pages. Management - Global 11th Edition by Stephen P. Robbins Stephen P. Robbins; Mary Coulter ; Title: Management - Global 11th Edition ; Publisher: Pearson Education Limited ; Publication Date: 2012 ; Binding: Soft cover. Robbins, Fundamentals of Management, Global Edition, 11/e Sep 17, 2019 — The 11th Edition maintains a focus on learning and applying management theories, while now also highlighting opportunities to develop the skills ... Management | WorldCat.org Management ; Authors: Stephen P. Robbins, Mary K. Coulter ; Edition: 11th ed View all formats and editions ; Publisher: Prentice Hall, Boston, ©2012. Management - Stephen P. Robbins And Mary Coulter Management - Global 11th Edition. Stephen P. Robbins; Mary Coulter. Published by Pearson Education Limited (2012). ISBN 10: 0273752774 ISBN 13: 9780273752776. Management by Stephen P. Robbins; Mary Coulter ... Description: 11th Edition, 2011-02-06. Eleventh Edition. Hardcover. Very Good. 10x8x1. Pages are clean. Book Leaves in 1 Business Day or Less! Leaves Same Day ... Fundamentals of Management Fundamentals of Management, 11th edition. Published by Pearson (September 14, 2020) © 2020. Mary A. Coulter; David A. DeCenzo Coastal Carolina University. Fundamentals of Management 11th edition 9780135641033 Fundamentals of Management 11th Edition is written by Stephen P. Robbins; Mary A. Coulter; David A. De Cenzo and published by Pearson. Product Information | Stanford 10—Level Primary 3 Stanford 10 Level Primary 3 is available for homeschoolers and private school students in grades K-12. Purchase one today to find out how your student is doing ... Stanford Practice Test: Primary 3 (for school purchase) When ordering Stanford 10 test support materials, please consult our Stanford 10 page to learn about recent changes to Stanford scoring costs and timing. Grade 3 Spring /4 Fall Stanford 10 Achievement Test Kit ... Grade 3 Spring /4 Fall Stanford 10 Achievement Test Kit (Publisher Scoring) ... BJU Press is now offering Stanford 10 paper/pencil with Pearson's scoring services ... Grade 3 Spring Stanford 10 Achievement Test Kit ... The achievement test covers all subtests and content of the Stanford 10 Primary 3: Word Study Skills, Reading Vocabulary, Reading Comprehension, Mathematics ... Stanford 10 Online Grade 3 Spring (Prim 3) This is an online standardized test for Stanford Grade 3. This test uses the Primary 3 level. Subtests Include. The Stanford Grade 3 Test covers word study ... Stanford Practice Tests - Stanford 10 Prep Stanford Practice Tests prepare students for what to expect on test day and increase their confidence in taking the Stanford 10 Online test ... Primary 3, 3rd ... SAT10 Stanford Achievement Test Series 10th Edition SAT10 Forms A/D Primary 3 Practice Tests Qty 10 (Print). 0158770870 Qualification

Level B. Includes test directions, different types of items, and answer ... Stanford 10 The Stanford 10 Online is a nationally standardized achievement test for Grades 3 Spring-12. The Stanford Test has been a standard of excellence in ... Stanford Achievement Test - Homeschool Testing Each spelling item consists of one sentence with three underlined words and, starting at Primary 3, a "No Mistake" option. Misspellings used reflect students' ... Stanford Achievement Test Series | Stanford 10 The recommended levels for SAT10 are provided below according to grade level and time of year. ... Primary 3, Intermediate 1. 5, Intermediate 1, Intermediate 2. 6 ... TOYOTA Avensis I Saloon (T22) parts catalogue Auto parts catalogue for TOYOTA Avensis I Saloon (T22) | Buy car parts for TOYOTA AVENSIS ( \_T22\_ ) from the EU-SPARES online shop | »GO TO SHOP« TOYOTA Avensis I Estate (T22) parts catalogue Auto parts catalogue for TOYOTA Avensis I Estate (T22) | Buy car parts for TOYOTA Avensis Estate ( \_T22\_ ) from the EU-SPARES online shop | »GO TO SHOP« Parts catalog for Toyota Avensis Electronic spare parts online catalog for Toyota Avensis. Toyota Avensis engine, chassis, body and electric parts. Toyota Avensis I T21 / T22, generation #1 5-speed Manual transmission. Engine 1 995 ccm (122 cui), 4-cylinder, In-Line, 1CD-FTV. Avensis kombi 2.0 D4D, T22, tmavě ... Toyota Genuine Audio Avensis (T22). TOYOTA GENUINE AUDIO. Avensis (RHD) - 10. 10-00. 4. Mount the brackets onto the audio assembly and combo . : Screw (4x). 102. 13. 14. 12. Fig. 4. Spare parts for Toyota AVENSIS (T22) 09.1997 Buy car parts for Toyota AVENSIS (T22) 09.1997-12.1999 in a user-friendly catalog on ALVADI.EE. We will ship over 100000 car parts from our warehouse today. Parts for Toyota Avensis T22 Saloon 24/7 ☐ online ☐ ☐ Car parts and car accessories suitable for your Toyota Avensis T22 Saloon (1997-2003) ↑ high quality at attractive prices. TOYOTA AVENSIS ( \_T22\_ ) car parts online catalogue We offer TOYOTA AVENSIS ( \_T22\_ ) spare parts for all models cheap online. Visit 123spareparts.co.uk and find suitable parts for your TOYOTA AVENSIS ( \_T22\_ ) ... Spare parts catalogue for TOYOTA AVENSIS ( \_T22\_ ) online Order spare parts for your TOYOTA AVENSIS ( \_T22\_ ) cheap online. Find spare parts for any TOYOTA AVENSIS ( \_T22\_ ) model on Car-parts.ie.