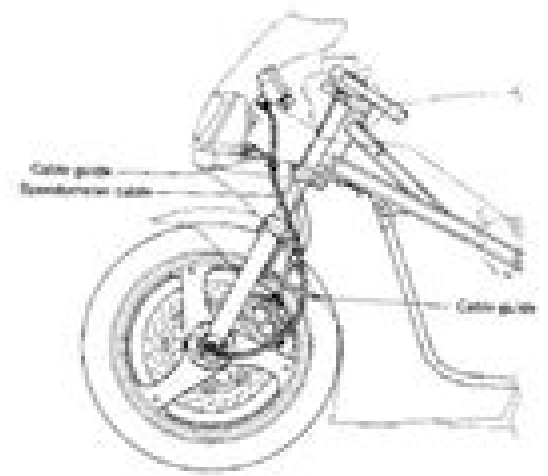
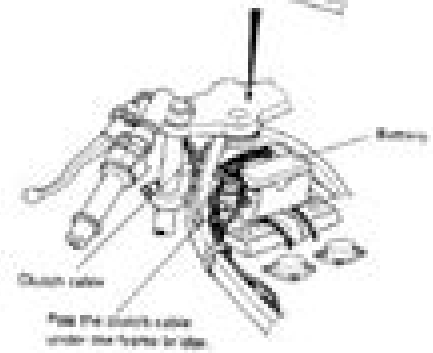
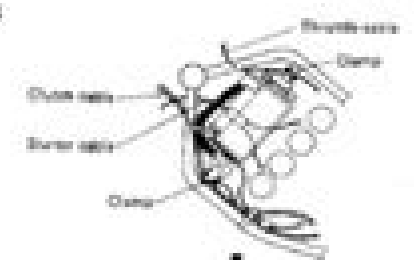


Bookmarks

- Workshop Manual, SUZUKI GSX250F
- Group Index
- > 1. General Information
- > 2. Periodic Maintenance and Tune-Up Procedures
- > 3. Engine
- > 4. Fuel and Lubrication System
- > 5. Cooling System
- > 6. Electrical System
- > 7. Chassis
- > 8. Service Information
- > 9. GSX250FM ('92-Model)
- > 10. GSX250FP ('93-Model)
- > 11. GSX250FR ('94-Model)

8-11 SERVICE INFORMATION

CABLE ROUTING



# Gsx250 Workshop Manual

**F Rizvi**



## **Gsx250 Workshop Manual:**

This is likewise one of the factors by obtaining the soft documents of this **Gsx250 Workshop Manual** by online. You might not require more mature to spend to go to the ebook introduction as with ease as search for them. In some cases, you likewise realize not discover the statement Gsx250 Workshop Manual that you are looking for. It will no question squander the time.

However below, with you visit this web page, it will be hence extremely easy to get as well as download lead Gsx250 Workshop Manual

It will not bow to many epoch as we explain before. You can pull off it even though perform something else at house and even in your workplace. thus easy! So, are you question? Just exercise just what we have the funds for below as with ease as evaluation **Gsx250 Workshop Manual** what you gone to read!

[https://staging.conocer.cide.edu/files/scholarship/Download\\_PDFS/ktm\\_950\\_990\\_adventure\\_2006\\_repair\\_service\\_manual.pdf](https://staging.conocer.cide.edu/files/scholarship/Download_PDFS/ktm_950_990_adventure_2006_repair_service_manual.pdf)

## **Table of Contents Gsx250 Workshop Manual**

1. Understanding the eBook Gsx250 Workshop Manual
  - The Rise of Digital Reading Gsx250 Workshop Manual
  - Advantages of eBooks Over Traditional Books
2. Identifying Gsx250 Workshop Manual
  - Exploring Different Genres
  - Considering Fiction vs. Non-Fiction
  - Determining Your Reading Goals
3. Choosing the Right eBook Platform
  - Popular eBook Platforms
  - Features to Look for in an Gsx250 Workshop Manual
  - User-Friendly Interface
4. Exploring eBook Recommendations from Gsx250 Workshop Manual

- Personalized Recommendations
- Gsx250 Workshop Manual User Reviews and Ratings
- Gsx250 Workshop Manual and Bestseller Lists
- 5. Accessing Gsx250 Workshop Manual Free and Paid eBooks
  - Gsx250 Workshop Manual Public Domain eBooks
  - Gsx250 Workshop Manual eBook Subscription Services
  - Gsx250 Workshop Manual Budget-Friendly Options
- 6. Navigating Gsx250 Workshop Manual eBook Formats
  - ePub, PDF, MOBI, and More
  - Gsx250 Workshop Manual Compatibility with Devices
  - Gsx250 Workshop Manual Enhanced eBook Features
- 7. Enhancing Your Reading Experience
  - Adjustable Fonts and Text Sizes of Gsx250 Workshop Manual
  - Highlighting and Note-Taking Gsx250 Workshop Manual
  - Interactive Elements Gsx250 Workshop Manual
- 8. Staying Engaged with Gsx250 Workshop Manual
  - Joining Online Reading Communities
  - Participating in Virtual Book Clubs
  - Following Authors and Publishers Gsx250 Workshop Manual
- 9. Balancing eBooks and Physical Books Gsx250 Workshop Manual
  - Benefits of a Digital Library
  - Creating a Diverse Reading Collection Gsx250 Workshop Manual
- 10. Overcoming Reading Challenges
  - Dealing with Digital Eye Strain
  - Minimizing Distractions
  - Managing Screen Time
- 11. Cultivating a Reading Routine Gsx250 Workshop Manual
  - Setting Reading Goals Gsx250 Workshop Manual
  - Carving Out Dedicated Reading Time
- 12. Sourcing Reliable Information of Gsx250 Workshop Manual

- Fact-Checking eBook Content of Gsx250 Workshop Manual
  - Distinguishing Credible Sources
13. Promoting Lifelong Learning
- Utilizing eBooks for Skill Development
  - Exploring Educational eBooks
14. Embracing eBook Trends
- Integration of Multimedia Elements
  - Interactive and Gamified eBooks

### **Gsx250 Workshop Manual Introduction**

Free PDF Books and Manuals for Download: Unlocking Knowledge at Your Fingertips In today's fast-paced digital age, obtaining valuable knowledge has become easier than ever. Thanks to the internet, a vast array of books and manuals are now available for free download in PDF format. Whether you are a student, professional, or simply an avid reader, this treasure trove of downloadable resources offers a wealth of information, conveniently accessible anytime, anywhere. The advent of online libraries and platforms dedicated to sharing knowledge has revolutionized the way we consume information. No longer confined to physical libraries or bookstores, readers can now access an extensive collection of digital books and manuals with just a few clicks. These resources, available in PDF, Microsoft Word, and PowerPoint formats, cater to a wide range of interests, including literature, technology, science, history, and much more. One notable platform where you can explore and download free Gsx250 Workshop Manual PDF books and manuals is the internet's largest free library. Hosted online, this catalog compiles a vast assortment of documents, making it a veritable goldmine of knowledge. With its easy-to-use website interface and customizable PDF generator, this platform offers a user-friendly experience, allowing individuals to effortlessly navigate and access the information they seek. The availability of free PDF books and manuals on this platform demonstrates its commitment to democratizing education and empowering individuals with the tools needed to succeed in their chosen fields. It allows anyone, regardless of their background or financial limitations, to expand their horizons and gain insights from experts in various disciplines. One of the most significant advantages of downloading PDF books and manuals lies in their portability. Unlike physical copies, digital books can be stored and carried on a single device, such as a tablet or smartphone, saving valuable space and weight. This convenience makes it possible for readers to have their entire library at their fingertips, whether they are commuting, traveling, or simply enjoying a lazy afternoon at home. Additionally, digital files are easily searchable, enabling readers to locate specific information within seconds. With a few keystrokes, users can search for keywords, topics, or phrases, making research and finding relevant information a breeze. This efficiency

saves time and effort, streamlining the learning process and allowing individuals to focus on extracting the information they need. Furthermore, the availability of free PDF books and manuals fosters a culture of continuous learning. By removing financial barriers, more people can access educational resources and pursue lifelong learning, contributing to personal growth and professional development. This democratization of knowledge promotes intellectual curiosity and empowers individuals to become lifelong learners, promoting progress and innovation in various fields. It is worth noting that while accessing free Gsx250 Workshop Manual PDF books and manuals is convenient and cost-effective, it is vital to respect copyright laws and intellectual property rights. Platforms offering free downloads often operate within legal boundaries, ensuring that the materials they provide are either in the public domain or authorized for distribution. By adhering to copyright laws, users can enjoy the benefits of free access to knowledge while supporting the authors and publishers who make these resources available. In conclusion, the availability of Gsx250 Workshop Manual free PDF books and manuals for download has revolutionized the way we access and consume knowledge. With just a few clicks, individuals can explore a vast collection of resources across different disciplines, all free of charge. This accessibility empowers individuals to become lifelong learners, contributing to personal growth, professional development, and the advancement of society as a whole. So why not unlock a world of knowledge today? Start exploring the vast sea of free PDF books and manuals waiting to be discovered right at your fingertips.

### **FAQs About Gsx250 Workshop Manual Books**

How do I know which eBook platform is the best for me? Finding the best eBook platform depends on your reading preferences and device compatibility. Research different platforms, read user reviews, and explore their features before making a choice. Are free eBooks of good quality? Yes, many reputable platforms offer high-quality free eBooks, including classics and public domain works. However, make sure to verify the source to ensure the eBook credibility. Can I read eBooks without an eReader? Absolutely! Most eBook platforms offer webbased readers or mobile apps that allow you to read eBooks on your computer, tablet, or smartphone. How do I avoid digital eye strain while reading eBooks? To prevent digital eye strain, take regular breaks, adjust the font size and background color, and ensure proper lighting while reading eBooks. What the advantage of interactive eBooks? Interactive eBooks incorporate multimedia elements, quizzes, and activities, enhancing the reader engagement and providing a more immersive learning experience. Gsx250 Workshop Manual is one of the best book in our library for free trial. We provide copy of Gsx250 Workshop Manual in digital format, so the resources that you find are reliable. There are also many Ebooks of related with Gsx250 Workshop Manual. Where to download Gsx250 Workshop Manual online for free? Are you looking for Gsx250 Workshop Manual PDF? This is definitely going to save you

time and cash in something you should think about. If you trying to find then search around for online. Without a doubt there are numerous these available and many of them have the freedom. However without doubt you receive whatever you purchase. An alternate way to get ideas is always to check another Gsx250 Workshop Manual. This method for see exactly what may be included and adopt these ideas to your book. This site will almost certainly help you save time and effort, money and stress. If you are looking for free books then you really should consider finding to assist you try this. Several of Gsx250 Workshop Manual are for sale to free while some are payable. If you arent sure if the books you would like to download works with for usage along with your computer, it is possible to download free trials. The free guides make it easy for someone to free access online library for download books to your device. You can get free download on free trial for lots of books categories. Our library is the biggest of these that have literally hundreds of thousands of different products categories represented. You will also see that there are specific sites catered to different product types or categories, brands or niches related with Gsx250 Workshop Manual. So depending on what exactly you are searching, you will be able to choose e books to suit your own need. Need to access completely for Campbell Biology Seventh Edition book? Access Ebook without any digging. And by having access to our ebook online or by storing it on your computer, you have convenient answers with Gsx250 Workshop Manual To get started finding Gsx250 Workshop Manual, you are right to find our website which has a comprehensive collection of books online. Our library is the biggest of these that have literally hundreds of thousands of different products represented. You will also see that there are specific sites catered to different categories or niches related with Gsx250 Workshop Manual So depending on what exactly you are searching, you will be able to choose ebook to suit your own need. Thank you for reading Gsx250 Workshop Manual. Maybe you have knowledge that, people have search numerous times for their favorite readings like this Gsx250 Workshop Manual, but end up in harmful downloads. Rather than reading a good book with a cup of coffee in the afternoon, instead they juggled with some harmful bugs inside their laptop. Gsx250 Workshop Manual is available in our book collection an online access to it is set as public so you can download it instantly. Our digital library spans in multiple locations, allowing you to get the most less latency time to download any of our books like this one. Merely said, Gsx250 Workshop Manual is universally compatible with any devices to read.

### **Find Gsx250 Workshop Manual :**

**ktm 950 990 adventure 2006 repair service manual**

**ktm lc4 shop manual**

~~kssats maths papers 21~~

**ktm 990 smr service manual**

**krugman economics 3rd c2013 txtbk finedrafts**



[ktm 690 lc4 repair manual](#)

**ks1 netherlands answer booklet**

**ktm gs 250 manual 1981**

[konica minolta magicolor 4750en 4750dn th of operation](#)

[ktm 2012 65 sx service manual](#)

**koutsoyiannis 2nd edition modern microeconomics private**

**ks1 animals sats paper 20answer booklet**

*ks writing task sats*

**kreyszig 8th edition solution manual**

**ktm 620 lc4 supermoto manual**

**Gsx250 Workshop Manual :**

**thierry de royaumont le secret de l a c mir tome pdf** - May 17 2023

web aug 13 2023 thierry de royaumont le secret de l a c mir tome pdf getting the books thierry de royaumont le secret de l a c mir tome pdf now is not type of challenging means you could not lonesome going next books addition or library or borrowing from your links to open them this is an utterly easy means to specifically get

**le secret une loi résumé de livre complet agustem** - Feb 02 2022

web découvrez ci dessous un résumé complet de ce livre le secret de rhonda byrne fait partie de ces livres qui ne laissent pas indifférent ce livre nous explique que la loi qui détermine l ordre de l univers chaque moment de notre vie et chaque chose que nous expérimentons durant notre vie est la loi de l attraction le

**thierry de royaumont le secret de l a c mir tome** - May 05 2022

web l histoire du vieux et du nouveaux testament représentée avec des figures par feu monsieur le maitre de sacy sous le nom du sieur de royaumont prieur de sombreval Études de lettres quid

**thierry de royaumont le secret de l a c mir tome pdf** - Feb 14 2023

web about what you dependence currently this thierry de royaumont le secret de l a c mir tome as one of the most functioning sellers here will entirely be in the course of the best options to review thierry de royaumont le secret de l a c mir tome downloaded from monograf no by guest mendez goodman l histoire du vieux et du nouveaux

**thierry de royaumont le secret de l a c mir tome** - Aug 08 2022

web chronologie de la bande dessinée thierry de royaumont le secret de l a c mir tome downloaded from jmsseniorliving com by guest kim amy publishers international isbn directory association pour la promotion des jeunes auteurs de la bande

dessinée éditions plg l histoire de la bande dessinée francophone du xxe siècle l express routledge  
*thierry de royaumont le secret de l a c mir tome kimberly* - Jan 01 2022

web jun 7 2023 thierry de royaumont le secret de l a c mir tome is available in our digital library an online access to it is set as public so you can download it instantly our books collection saves in multiple locations allowing you to get the most less latency time to download any of our books like this one

**thierry de royaumont le secret de l a c mir tome kimberly** - Jul 19 2023

web books bearing in mind this one merely said the thierry de royaumont le secret de l a c mir tome is universally compatible gone any devices to read contours of the middle ages léopold genicot 1967 how the medieval structure and christian culture of western europe was built up its best characteristics and why it withered away

**le secret ottoman raymond khoury babelio** - Apr 04 2022

web mar 12 2020 3 95 5 83 notes résumé istanbul 1682 mehmed iv sultan de l empire ottoman s apprête à lancer le second siège de vienne alors capitale du saint empire romain quand un mystérieux visiteur s introduit dans sa chambre l homme couvert d étranges tatouages déclare au souverain pouvoir l aider à

[thierry de royaumont le secret de l a c mir tome 2022](#) - Oct 10 2022

web bibliographie de la france ou journal général de l imprimerie et de la librairie henri de rothschild 1872 1947 revue des questions historiques Études de lettres bibliographie de la france thierry de royaumont le secret de l a c mir tome downloaded from jupiter goinglobal com by guest leblanc schmidt revue d organisation et de défense

*thierry de royaumont le secret de l a c mir tome pdf* - Mar 15 2023

web thierry de royaumont est le héros qui a marqué toute une génération celle des lecteurs de la revue bayard dans les années 50 ce preux chevalier du moyen Âge

**thierry de royaumont le secret de l a c mir tome pdf free** - Nov 11 2022

web secret de l a c mir tome pdf book review unveiling the magic of language in a digital era where connections and knowledge reign supreme the enchanting power of language has become more apparent than ever

[thierry de royaumont le secret de l a c mir tome copy](#) - Jul 07 2022

web et avec leïla rare présence féminine de la bd trouver la dame de son coeur thierry de royaumont est le héros qui a marqué toute une génération celle des lecteurs de la revue bayard dans les années 50 ce preux chevalier du moyen Âge a été imaginé par le père sève pour transmettre aux jeunes de l époque les

**thierry de royaumont le secret de l a c mir tome françois** - Sep 09 2022

web aug 10 2023 de l a c mir tome a mesmerizing literary masterpiece penned by way of a distinguished author guiding readers on a profound journey to unravel the secrets and potential hidden

**thierry de royaumont le secret de l a c mir tome 2022** - Jun 06 2022

web thierry de royaumont le secret de l a c mir tome 1 thierry de royaumont le secret de l a c mir tome when somebody should go to the book stores search establishment by shop shelf by shelf it is essentially problematic this is why we give the books compilations in this website it will definitely ease you to see guide thierry de

le secret de l emir tome 1 tome 1 amazon fr - Aug 20 2023

web thierry va faire son apprentissage d adulte auprès de ses compagnons apprendre l art de la ruse la force d âme l amitié et avec leïla rare présence féminine de la bd trouver la dame de son coeur thierry de royaumont est le héros qui a marqué toute une génération celle des lecteurs de la revue bayard dans les années 50

**thierry de royaumont le secret de l a c mir tome pdf** - Apr 16 2023

web apr 5 2023 thierry va faire son apprentissage d adulte auprès de ses compagnons apprendre l art de la ruse la force d âme l amitié et avec leïla rare présence féminine de la bd trouver la dame de son coeur thierry de royaumont est le héros qui a marqué toute une génération celle des lecteurs de la revue bayard dans les années 50 ce

**thierry de royaumont le secret de l a c mir tome pdf** - Dec 12 2022

web nov 18 2022 thierry va faire son apprentissage d adulte auprès de ses compagnons apprendre l art de la ruse la force d âme l amitié et avec leïla rare présence féminine de la bd trouver la dame de son coeur thierry de royaumont est le héros qui a marqué toute une génération celle des lecteurs de la revue bayard dans les années 50 ce

**le secret du secret la loi de l attraction william roy** - Mar 03 2022

web jul 8 2019 le secret du secret la loi de l attraction 8 juillet 2019 5 juillet 2019 le secret est un livre qui fait un carton en librairie depuis des années c est également un documentaire le principe derrière la loi de l attraction mais est ce que c est du vent ou est ce que ça marche

**thierry de royaumont 1a1 le secret de l Émir tome 1** - Jun 18 2023

web sep 1 2005 tome 2 Éditions du triomphe 1994 quimper jean forget 1 a1 le secret de l Émir tome 1 identifiant 49728 scénario quimper jean dessin forget pierre couleurs graphics color works dépôt légal 09 1994

**thierry de royaumont le secret de l a c mir tome** - Jan 13 2023

web histoire du vieux et du nouveau testament avec des explications édifiantes tirées des saints peres pour regler les mœurs dans toute forte de conditions dédiée à monseigneur le dauphin par le sieur

**how to play eminem ft rihanna love the way you lie piano** - Aug 11 2022

aug 26 2018 piano tutorial lesson for beginners learn how to play eminem ft rihanna love the way you lie on piano sheet music available here bit ly 2bnft4h

**love the way you lie by rihanna feat eminem sheet music for piano** - Aug 23 2023

dec 13 2016 download and print in pdf or midi free sheet music for love the way you lie by eminem arranged by burberry18 for piano viol solo love the way you lie by rihanna feat eminem sheet music for piano viol solo musescore com

**love the way you lie part 2 musescore com** - Apr 19 2023

apr 25 2017 cyprus download and print in pdf or midi free sheet music for love the way you lie pt 2 by eminem arranged by elinlara for piano solo

*love the way you lie pt 2 sheets by piano go life* - Apr 07 2022

feb 2 2022 eminem love the way you lie pt 2 sheets by piano go life love the way you lie pt 2 rihanna feat eminem 2022 02 02 expand instruments piano 88keys difficulty normal pages 7 lyrics not included sheet type 2staves instrumentation solo chord not included period of use 1 years 9 99

**love the way you lie part1 2 piano solo eminem rihanna** - Sep 24 2023

apr 11 2021 download and print in pdf or midi free sheet music for love the way you lie by eminem arranged by elaine kelkel for piano solo love the way you lie part1 2 piano solo eminem rihanna sheet music for piano solo musescore com

**love the way you lie feat rihanna arr logan evan thomas sheet** - Oct 13 2022

about love the way you lie feat rihanna arr logan evan thomas digital sheet music for piano elementary

**love the way you lie sheet music musicnotes com** - Jun 21 2023

browse our 12 arrangements of love the way you lie sheet music is available for piano voice guitar and 2 others with 5 scorings and 2 notations in 9 genres find your perfect arrangement and access a variety of transpositions so you can print and play instantly anywhere

**love the way you lie pt 2 eminem sheet music for piano** - May 20 2023

aug 12 2023 cyprus download and print in pdf or midi free sheet music for love the way you lie pt 2 by eminem arranged by unregistered user for piano solo

**eminem love the way you lie piano sheet music** - Feb 05 2022

overview download view as pdf for free more details words 2 099 pages 8 preview full text related documents

**love the way you lie part 2 sheet music rihanna** - May 08 2022

love the way you lie part 2 sheet music pdf rihanna for piano sheet music scoring piano vocal chords original key g minor number of pages sheet music pdf 8 and lyrics song love the way you lie part 2 sheet music pdf rihanna free download share this love the way you lie part 2 sheet music rihanna download

[play love the way you lie music sheet play on virtual piano](#) - Jan 16 2023

sep 10 2020 use your computer keyboard to play love the way you lie music sheet on virtual piano this is an easy song and requires practice the song love the way you lie is classified in the genres pop usa rap on virtual piano

[love the way you lie sheet music for piano solo](#) - Jul 22 2023

beginner this score is based on love the way you lie by eminem other versions of this composition love the way you lie part1 2 piano solo eminem rihanna solo piano 48 votes love the way you lie featuring rihanna eminem rihanna piano vocal guitar piano accompaniment official piano voice

[love the way you lie pt ii sheet music musicnotes com](#) - Jun 09 2022

browse our 5 arrangements of love the way you lie pt ii sheet music is available for piano voice guitar with 3 scorings and 1 notation in 4 genres find your perfect arrangement and access a variety of transpositions so you can print and play instantly anywhere lyrics begin on the first page of our story top sellers

**love the way you lie sheet music for piano vocals music notes** - Mar 18 2023

aug 25 2021 view offer the best way to learn and play love the way you lie featuring rihanna eminem rihanna piano vocal guitar piano accompaniment by eminem what are official scores they are 44 837 scores licensed from leading print publishers to stream on desktop and the musescore mobile app

[love the way you lie part ii rihanna ft eminem synthesia piano](#) - Mar 06 2022

nov 5 2010 love the way you lie part ii by rihanna featering eminem arranged on piano by onepianooneheart performed by synthesia sheet for two pianos the s

[eminem feat rihanna love the way you lie sheet music in g](#) - Dec 15 2022

print and download love the way you lie sheet music by eminem feat rihanna sheet music arranged for piano vocal chords in g minor transposable sku mn0085288

[love the way you lie pt ii rihanna ft eminem musescore com](#) - Feb 17 2023

sep 10 2023 love the way you lie pt ii rihanna ft eminem sheet music for piano solo musescore com time for summer time for music 90 off 23 53 19 view offer 00 00 03 51 off 100 f d time for summer time for music 90 off play the music you love without limits for just 7 99 0 77 week billed annually at 39 99

**love the way you lie piano tutorial eminem onlinepianist** - Sep 12 2022

eminem love the way you lie piano tutorial love the way you lie from the album recovery is by all means the song that brought eminem back to the front stage becoming his fourth song to reach 1 on the us singles charts rihanna s seventh staying on top for seven weeks in a row

[love the way you lie free piano sheet music piano chords](#) - Nov 14 2022

the song is a midtempo hip hop ballad with a pop refrain backed by guitar piano and violin it describes two lovers who refuse to separate despite being in a love hate abusive relationship download free love the way you lie sheet music now

[love the way you lie rihanna eminem virtual piano](#) - Jul 10 2022

jul 24 2023 about this music sheet love the way you lie rihanna eminem is a song by rihanna use your computer keyboard to play love the way you lie rihanna eminem music sheet on virtual piano this is an intermediate song and requires a

meine ersten 270 wörter auf schweizerdeutsch ciltli kapak - Apr 02 2023

web bücher bei weltbild jetzt meine ersten 270 wörter auf schweizerdeutsch von johannes kolz einfach online bestellen bei weltbild ihrem bücher spezialisten versandkostenfrei

*meine ersten 270 wörter auf schweizerdeutsch hardcover* - Sep 26 2022

web meine ersten 270 wörter auf schweizerdeutsch johannes kolz 9783730604472 gewerblich eur 6 95 eur 0 99 versand mit mauszeiger heranzoomen sie haben so

meine ersten 270 wörter auf schweizerdeutsch ebay - May 23 2022

web buch von kolz johannes schnelle lieferung beneidenswert sind die schweizer allemal schöne bèèrge gute schoggi leckerer chèès

*meine ersten 270 wörter auf schweizerdeutsch michaelsbund* - Jul 25 2022

web meine ersten 270 wörter auf schweizerdeutsch kolz johannes amazon pl książki

**meine ersten 270 wörter auf schweizerdeutsch bol com** - Apr 21 2022

meine ersten 270 wörter auf schweizerdeutsch twarda oprawa - Mar 21 2022

meine ersten 270 wörter auf schweizerdeutsch gebundene - Oct 08 2023

web nov 7 2018 wer sich daran laben möchte dem sei dieses amüsante wörterbuch ans herz gelegt untermalt mit witzigen zeichnungen präsentiert johannes kolz die ersten 270

**meine ersten 270 wörter auf schweizerdeutsch kolz johannes** - Jun 04 2023

web isbn 9783730604472 portofrei bestellen bei bücher lüthy meine ersten 270 wörter auf schweizerdeutsch buch gebunden von kolz johannes anaconda besuchen sie

**meine ersten 270 wörter auf schweizerdeutsch** - Jul 05 2023

web meine ersten 270 wörter auf schweizerdeutsch kolz johannes amazon com tr kitap

**meine ersten 270 wörter auf kölsch gebundene ausgabe** - Feb 17 2022

**meine ersten 270 wörter auf schweizerdeutsch ex** - Sep 07 2023

web beneidenswert sind die schweizer allemal schöne bèèrge gute schoggi leckerer chèès schmackhafte rööschti und an sprachlichen leckerbissen mangelt es bei wörtern wie

meine ersten 270 wörter auf schweizerdeutsch microspot ch - Oct 28 2022

web amazon in buy meine ersten 270 wörter auf schweizerdeutsch book online at best prices in india on amazon in read meine ersten 270 wörter auf schweizerdeutsch

*meine ersten 270 wörter auf schweizerdeutsch hardcover* - Jun 23 2022

web meine ersten 270 wörter auf kölsch gebundene ausgabe 7 november 2013 november 2013 von johannes kolz autor illustrator peter zender autor

**meine ersten 270 wörter auf schweizerdeutsch buch libro** - Aug 26 2022

web meine ersten 270 wörter auf schweizerdeutsch meine ersten 270 wörter auf schweizerdeutsch johannes kolz 9783730604472 boeken bol com ga naar

**meine ersten 270 wörter auf schweizerdeutsch** - Jan 31 2023

web meine ersten 270 wörter auf schweizerdeutsch von kolz johannes isbn 10 3730604473 isbn 13 9783730604472 anaconda verlag 2018 hardcover meine

**meine ersten 270 wörter auf schweizerdeutsch kolz johannes** - Mar 01 2023

web meine ersten 270 wörter auf schweizerdeutsch zu einem toppreis bei microspot ch kaufen heimlieferung in die ganze schweiz

**meine ersten 270 wörter auf schweizerdeutsch weltbild** - Nov 28 2022

web meine ersten 270 wörter auf schweizerdeutsch versandkostenfrei bei sankt michaelbund kaufen

*meine ersten 270 wörter auf schweizerdeutsch kolz johannes* - Jan 19 2022

*meine ersten 270 wörter auf schweizerdeutsch orell* - Aug 06 2023

web kolz meine ersten 270 wörter auf schweizerdeutsch 2018 buch sachbuch 978 3 7306 0447 2 bücher schnell und portofrei

meine ersten 270 wörter auf schweizerdeutsch beck shop de - May 03 2023

web beneidenswert sind die schweizer allemal schöne bèèrge gute schoggi leckerer chèès schmackhafte rööschti und an sprachlichen leckerbissen

*meine ersten 270 wörter auf schweizerdeutsch studibuch* - Dec 30 2022

web untermalt mit witzigen zeichnungen präsentiert johannes kolz die ersten 270 wörter auf schwiizertüütsch nebst allerlei typischen gewohnheiten und redensarten ob als