

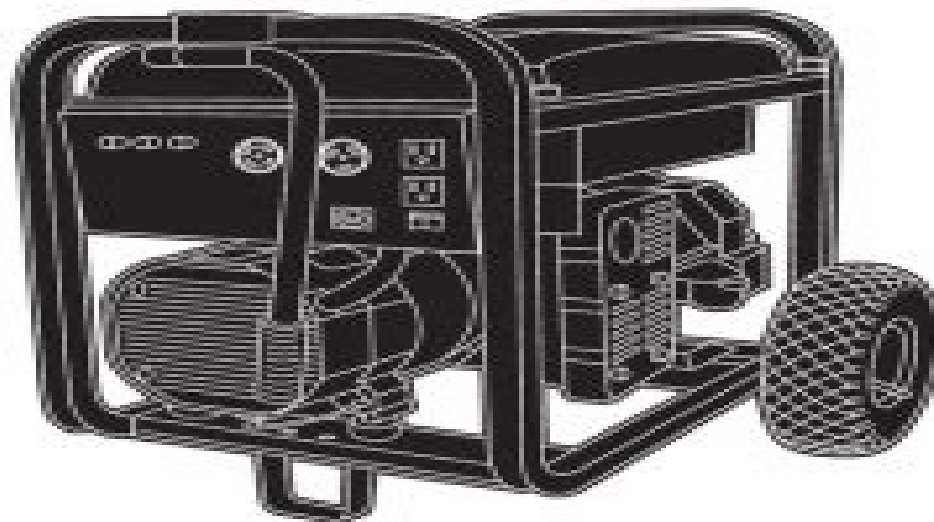


4000XL

RATED WATT

EXTENDED LIFE GENERATOR

Owner's Manual



Parts Included*

- Generator
- Wheel kit
- Storage Cover
- Battery charge cables
- Spare Spark Plug, Air Filter, and Oil Filter
- Spark Plug Wrench
- Locking 20 Amp plug
- Locking 30 Amp plug
- Engine oil
- Owner's manual
- Engine manual

*If any parts are missing or damaged, call 1-800-270-1408.

Table of Contents

| | |
|------------------------|-----------|
| Safety Rules | 3-4 |
| Know Your Generator | 5 |
| Assembly | 6-7 |
| Operation | 8-12 |
| Product Specifications | 13 |
| Maintenance | 13-14 |
| Storage | 14 |
| Notes | 15-16 |
| Troubleshooting | 17 |
| Schematics | 18 |
| Wiring Diagram | 19 |
| Replacement Parts | 20-23 |
| Warranty | Last Page |



0 24847 04100 3

Questions? Help is just a moment away!

Call Generac Generator Helpline - 1-800-270-1408 - H-F 8-5 CT
Web: www.generac-portables.com or www.briggsandstratton.com

Generac 4000xl Repair Manual

Jessica J Manson



Generac 4000xl Repair Manual:

This is likewise one of the factors by obtaining the soft documents of this **Generac 4000xl Repair Manual** by online. You might not require more time to spend to go to the books opening as skillfully as search for them. In some cases, you likewise pull off not discover the statement Generac 4000xl Repair Manual that you are looking for. It will agreed squander the time.

However below, later you visit this web page, it will be thus unconditionally simple to acquire as well as download lead Generac 4000xl Repair Manual

It will not put up with many period as we run by before. You can attain it even if take effect something else at house and even in your workplace. appropriately easy! So, are you question? Just exercise just what we provide below as skillfully as evaluation **Generac 4000xl Repair Manual** what you similar to to read!

https://staging.conocer.cide.edu/public/detail/default.aspx/lifesciences_commonpaper_march24.pdf

Table of Contents Generac 4000xl Repair Manual

1. Understanding the eBook Generac 4000xl Repair Manual
 - The Rise of Digital Reading Generac 4000xl Repair Manual
 - Advantages of eBooks Over Traditional Books
2. Identifying Generac 4000xl Repair Manual
 - Exploring Different Genres
 - Considering Fiction vs. Non-Fiction
 - Determining Your Reading Goals
3. Choosing the Right eBook Platform
 - Popular eBook Platforms
 - Features to Look for in an Generac 4000xl Repair Manual
 - User-Friendly Interface
4. Exploring eBook Recommendations from Generac 4000xl Repair Manual
 - Personalized Recommendations

- Generac 4000xl Repair Manual User Reviews and Ratings
- Generac 4000xl Repair Manual and Bestseller Lists
- 5. Accessing Generac 4000xl Repair Manual Free and Paid eBooks
 - Generac 4000xl Repair Manual Public Domain eBooks
 - Generac 4000xl Repair Manual eBook Subscription Services
 - Generac 4000xl Repair Manual Budget-Friendly Options
- 6. Navigating Generac 4000xl Repair Manual eBook Formats
 - ePub, PDF, MOBI, and More
 - Generac 4000xl Repair Manual Compatibility with Devices
 - Generac 4000xl Repair Manual Enhanced eBook Features
- 7. Enhancing Your Reading Experience
 - Adjustable Fonts and Text Sizes of Generac 4000xl Repair Manual
 - Highlighting and Note-Taking Generac 4000xl Repair Manual
 - Interactive Elements Generac 4000xl Repair Manual
- 8. Staying Engaged with Generac 4000xl Repair Manual
 - Joining Online Reading Communities
 - Participating in Virtual Book Clubs
 - Following Authors and Publishers Generac 4000xl Repair Manual
- 9. Balancing eBooks and Physical Books Generac 4000xl Repair Manual
 - Benefits of a Digital Library
 - Creating a Diverse Reading Collection Generac 4000xl Repair Manual
- 10. Overcoming Reading Challenges
 - Dealing with Digital Eye Strain
 - Minimizing Distractions
 - Managing Screen Time
- 11. Cultivating a Reading Routine Generac 4000xl Repair Manual
 - Setting Reading Goals Generac 4000xl Repair Manual
 - Carving Out Dedicated Reading Time
- 12. Sourcing Reliable Information of Generac 4000xl Repair Manual
 - Fact-Checking eBook Content of Generac 4000xl Repair Manual

- Distinguishing Credible Sources
- 13. Promoting Lifelong Learning
 - Utilizing eBooks for Skill Development
 - Exploring Educational eBooks
- 14. Embracing eBook Trends
 - Integration of Multimedia Elements
 - Interactive and Gamified eBooks

Generac 4000xl Repair Manual Introduction

Free PDF Books and Manuals for Download: Unlocking Knowledge at Your Fingertips In today's fast-paced digital age, obtaining valuable knowledge has become easier than ever. Thanks to the internet, a vast array of books and manuals are now available for free download in PDF format. Whether you are a student, professional, or simply an avid reader, this treasure trove of downloadable resources offers a wealth of information, conveniently accessible anytime, anywhere. The advent of online libraries and platforms dedicated to sharing knowledge has revolutionized the way we consume information. No longer confined to physical libraries or bookstores, readers can now access an extensive collection of digital books and manuals with just a few clicks. These resources, available in PDF, Microsoft Word, and PowerPoint formats, cater to a wide range of interests, including literature, technology, science, history, and much more. One notable platform where you can explore and download free Generac 4000xl Repair Manual PDF books and manuals is the internet's largest free library. Hosted online, this catalog compiles a vast assortment of documents, making it a veritable goldmine of knowledge. With its easy-to-use website interface and customizable PDF generator, this platform offers a user-friendly experience, allowing individuals to effortlessly navigate and access the information they seek. The availability of free PDF books and manuals on this platform demonstrates its commitment to democratizing education and empowering individuals with the tools needed to succeed in their chosen fields. It allows anyone, regardless of their background or financial limitations, to expand their horizons and gain insights from experts in various disciplines. One of the most significant advantages of downloading PDF books and manuals lies in their portability. Unlike physical copies, digital books can be stored and carried on a single device, such as a tablet or smartphone, saving valuable space and weight. This convenience makes it possible for readers to have their entire library at their fingertips, whether they are commuting, traveling, or simply enjoying a lazy afternoon at home. Additionally, digital files are easily searchable, enabling readers to locate specific information within seconds. With a few keystrokes, users can search for keywords, topics, or phrases, making research and finding relevant information a breeze. This efficiency saves time and effort, streamlining the learning process and allowing individuals to focus on extracting the

information they need. Furthermore, the availability of free PDF books and manuals fosters a culture of continuous learning. By removing financial barriers, more people can access educational resources and pursue lifelong learning, contributing to personal growth and professional development. This democratization of knowledge promotes intellectual curiosity and empowers individuals to become lifelong learners, promoting progress and innovation in various fields. It is worth noting that while accessing free Generac 4000xl Repair Manual PDF books and manuals is convenient and cost-effective, it is vital to respect copyright laws and intellectual property rights. Platforms offering free downloads often operate within legal boundaries, ensuring that the materials they provide are either in the public domain or authorized for distribution. By adhering to copyright laws, users can enjoy the benefits of free access to knowledge while supporting the authors and publishers who make these resources available. In conclusion, the availability of Generac 4000xl Repair Manual free PDF books and manuals for download has revolutionized the way we access and consume knowledge. With just a few clicks, individuals can explore a vast collection of resources across different disciplines, all free of charge. This accessibility empowers individuals to become lifelong learners, contributing to personal growth, professional development, and the advancement of society as a whole. So why not unlock a world of knowledge today? Start exploring the vast sea of free PDF books and manuals waiting to be discovered right at your fingertips.

FAQs About Generac 4000xl Repair Manual Books

What is a Generac 4000xl Repair Manual PDF? A PDF (Portable Document Format) is a file format developed by Adobe that preserves the layout and formatting of a document, regardless of the software, hardware, or operating system used to view or print it. **How do I create a Generac 4000xl Repair Manual PDF?** There are several ways to create a PDF: Use software like Adobe Acrobat, Microsoft Word, or Google Docs, which often have built-in PDF creation tools. Print to PDF:

Many applications and operating systems have a "Print to PDF" option that allows you to save a document as a PDF file instead of printing it on paper. Online converters: There are various online tools that can convert different file types to PDF.

How do I edit a Generac 4000xl Repair Manual PDF? Editing a PDF can be done with software like Adobe Acrobat, which allows direct editing of text, images, and other elements within the PDF. Some free tools, like PDFescape or Smallpdf, also offer basic editing capabilities. **How do I convert a Generac 4000xl Repair Manual PDF to another file format?**

There are multiple ways to convert a PDF to another format: Use online converters like Smallpdf, Zamzar, or Adobe Acrobat's export feature to convert PDFs to formats like Word, Excel, JPEG, etc. Software like Adobe Acrobat, Microsoft Word, or other PDF editors may have options to export or save PDFs in different formats. **How do I password-protect a Generac 4000xl**

Repair Manual PDF? Most PDF editing software allows you to add password protection. In Adobe Acrobat, for instance, you

can go to "File" -> "Properties" -> "Security" to set a password to restrict access or editing capabilities. Are there any free alternatives to Adobe Acrobat for working with PDFs? Yes, there are many free alternatives for working with PDFs, such as: LibreOffice: Offers PDF editing features. PDFsam: Allows splitting, merging, and editing PDFs. Foxit Reader: Provides basic PDF viewing and editing capabilities. How do I compress a PDF file? You can use online tools like Smallpdf, ILovePDF, or desktop software like Adobe Acrobat to compress PDF files without significant quality loss. Compression reduces the file size, making it easier to share and download. Can I fill out forms in a PDF file? Yes, most PDF viewers/editors like Adobe Acrobat, Preview (on Mac), or various online tools allow you to fill out forms in PDF files by selecting text fields and entering information. Are there any restrictions when working with PDFs? Some PDFs might have restrictions set by their creator, such as password protection, editing restrictions, or print restrictions. Breaking these restrictions might require specific software or tools, which may or may not be legal depending on the circumstances and local laws.

Find Generac 4000xl Repair Manual :

lifesciences commonpaper march24

life sciences grade 11 nsc june 20p1

lifeway sunday school lesson study guide

life science decembe 2014 for grade 11

life sciences grade 12 exam papers november 2012

life sciences p1 grade 10 scope

lighting guide animal shelter

life sciences grade 12 exemplar 2014 caps

light refraction multiple choice questions

life sciences paper 2 november 2010 memo

life span development 13th edition john w santrock

life sciences grade 1memo november 2013

life sciences grade 1 exemplar paper 2014

lifescience p2 grade11 nw november2013 memo

life sciences prelim paper 2014 memo

Generac 4000xl Repair Manual :

[soviet paratrooper vs mujahideen fighter osprey publishing](#) - Feb 27 2022

web in 1979 the soviet union moved from military help to active intervention in afghanistan four fifths of the afghan national army deserted in the first year of

[soviet paratrooper vs mujahideen fighter afghanis](#) - Mar 31 2022

web we find the money for soviet paratrooper vs mujahideen fighter afghanis and numerous book collections from fictions to scientific research in any way in the course of them is this soviet paratrooper vs mujahideen fighter afghanis that can be your partner

[soviet paratrooper vs mujahideen fighter afghanistan 1979 89](#) - Oct 18 2023

web nov 30 2017 soviet paratrooper vs mujahideen fighter afghanistan 1979 89 soviet paratrooper vs mujahideen fighter david campbell bloomsbury publishing nov 30 2017 history 80

soviet paratrooper vs mujahideen fighter afghanistan 1979 89 - Jul 15 2023

web nov 21 2017 soviet paratrooper vs mujahideen fighter afghanistan 1979 89 combat campbell david shumate johnny on amazon com free shipping on qualifying offers

soviet paratrooper vs mujahideen fighter by campbell david - Nov 07 2022

web something went wrong please try your request again later soviet paratrooper vs mujahideen fighter afghanistan 1979 89 combat paperback illustrated 30 nov 2017 david campbell author johnny shumate illustrator 4 4 out of 5 stars part of combat 72 books see all formats and editions paperback illustrated kindle edition 10 44

[soviet paratrooper vs mujahideen fighter afghanistan 1979 89](#) - Feb 10 2023

web nov 21 2017 soviet paratrooper vs mujahideen fighter afghanistan 1979 89 by david campbell johnny shumate illustrator paperback 23 00 ship this item qualifies for free shipping usually ships within 1 week instant purchase pick up in store check availability at nearby stores available within 2 business hours overview

[soviet paratrooper vs mujahideen fighter afghanistan 1979 89](#) - Aug 16 2023

web featuring specially commissioned artwork this absorbing study examines the origins combat role and battlefield performance of the soviet union s paratroopers and their mujahideen adversaries during the long and bloody soviet involvement in afghanistan during the 1980s

[when 39 soviet commandos defeated hundreds of mujahideen in afghanistan](#) - Jun 14 2023

web jul 29 2021 after rounds of firing the mujahideen assaulted soviet army in a group of 200 250 fighters afghans tried their best to force soldiers to back off but they failed russian soldiers were getting all support from army headquarters on ammunition airlift of wounded soldiers

[soviet paratrooper vs mujahideen fighter osprey publishing](#) - Apr 12 2023

web featuring specially commissioned artwork this absorbing study examines the origins combat role and battlefield performance of the soviet union s paratroopers and their mujahideen adversaries during the long and bloody soviet involvement in afghanistan during the 1980s

[soviet paratrooper vs mujahideen fighter afghanistan 1979 89](#) - Dec 08 2022

web soviet paratrooper vs mujahideen fighter afghanistan 1979 89 ebook written by david campbell read this book using google play books app on your pc android ios devices download for offline reading highlight bookmark or take notes while you read soviet paratrooper vs mujahideen fighter afghanistan 1979 89

soviet paratrooper vs mujahideen fighter overdrive - Mar 11 2023

web nov 30 2017 four fifths of the afghan national army deserted in the first year of the war which compounded with the spread and intensification of the rebellion led by the formidable guerrilla fighters of the mujahideen forced the soviets to intensify their involvement

soviet paratrooper vs mujahideen fighter afghanistan 1979 89 - Oct 06 2022

web four fifths of the afghan national army deserted in the first year of the war which compounded with the spread and intensification of the rebellion led by the formidable guerrilla fighters of the mujahideen forced the soviets to intensify their involvement the soviet army was in generally poor condition when the war started but the troops

[soviet paratrooper vs mujahideen fighter afghanistan 1979 89 goodreads](#) - May 13 2023

web nov 21 2017 featuring specially commissioned artwork this absorbing study examines the origins combat role and battlefield performance of the soviet union s paratroopers and their mujahideen adversaries during the long and bloody soviet involvement in afghanistan during the 1980s

[soviet paratrooper vs mujahideen fighter afghanistan 1979 89](#) - Jul 03 2022

web featuring specially commissioned artwork this absorbing study examines the origins combat role and battlefield performance of the soviet union s paratroopers and their mujahideen adversaries during the long and bloody soviet involvement in afghanistan during the 1980s

soviet paratrooper vs mujahideen fighter afghanistan 1979 - Jan 09 2023

web four fifths of the afghan national army deserted in the first year of the war which compounded with the spread and intensification of the rebellion led by the formidable guerrilla fighters of the mujahideen forced the soviets to intensify their involvement

soviet paratrooper vs mujahideen fighter afghanistan 1979 89 - Aug 04 2022

web featuring specially commissioned artwork this absorbing study examines the origins combat role and battlefield

performance of the soviet union s paratroopers and their mujahideen adversaries during the long and bloody soviet involvement in afghanistan during the 1980s

soviet paratrooper vs mujahideen fighter afghanis pdf mail - May 01 2022

web the other side of the mountain mujahideen tactics in the soviet afghan war soviet paratrooper vs mujahideen fighter weapon of choice soviet and mujahideen uniforms clothing and equipment in the soviet afghan war 1979 1989 finnish soldier vs soviet soldier storm 333 the soviet afghan war 1979 89 terror in the name of faith soviet

soviet paratrooper vs mujahideen fighter bloomsbury publishing - Sep 05 2022

web in 1979 the soviet union moved from military help to active intervention in afghanistan four fifths of the afghan national army deserted in the first year of

soviet snipers vs mujahideen during the soviet afghan war - Sep 17 2023

web may 5 2023 the mujahideen resistance fighters in afghanistan had their own snipers on the battlefield however their lack of training and resources made them no match for the soviet snipers soviet snipers outmatched mujahideen resistance

soviet paratrooper vs mujahideen fighter 1st edition vitalsource - Jun 02 2022

web soviet paratrooper vs mujahideen fighter afghanistan 1979 89 1st edition is written by david campbell and published by osprey publishing the digital and etextbook isbn for soviet paratrooper vs mujahideen fighter are 9781472817662

1472817664 and the print isbn are 9781472817648 1472817648

international baccalaureate diploma programme subject brief - Jun 12 2023

web mathematics analysis and approaches and mathematics applications and interpretation each course is designed to meet the needs of a particular group of students both

ib diploma maths ib maths textbooks pearson - May 11 2023

web sep 12 2023 sciences mathematics the arts there are different courses within each subject group choosing subjects in the diploma programme students choose courses

mathematics for the ib diploma cambridge university press - Nov 05 2022

web ib diploma guide mathematics hl september 2001 1 diploma programme candidates are required to select one subject from each of the six subject groups at least three and

mathematics for the ib diploma higher level series and - Jan 27 2022

web mathematics for the ib diploma standard and higher level destinatari curriculum internazionale anno di pubblicazione 2012 scritti specificamente per coprire il

maths in the dp international baccalaureate - Aug 14 2023

web sep 12 2023 read the standard level sl and or higher level hl subject brief below mathematics analysis and approaches

sl hl pdf 46 kb mathematics applications

mathematics for the ib diploma applications and i hodder - Aug 02 2022

web the key findings of this project are as follows international baccalaureate ib diploma programme dp mathematics higher level hl alumni have high levels of self

mathematics higher level for the ib diploma - Jan 07 2023

web ib mathematics higher level worked solutions if you received our first printing of mathematics hl march 2012 we ve made a few small tweaks since then download

higher education outcomes for international baccalaureate - Jul 01 2022

web feb 24 2016 contents introduction iv chapter 1 counting principles 1 chapter 2 exponents and logarithms 10 chapter 3 polynomials 21 chapter 4 algebraic

mathematics for the ib diploma higher level 1107661730 - Dec 26 2021

web mathematics higher level and standard level for the ib diploma all titles look inside mathematics for the ib diploma standard level with cd rom isbn 9781107613065

international baccalaureate diploma programme subject brief - Jul 13 2023

web mathematics analysis and approaches and mathematics applications and interpretation each course is designed to meet the needs of a particular group of students both

dp curriculum international baccalaureate - Apr 10 2023

web mathematics for the ib diploma higher level with cd rom this title forms part of the completely new mathematics for the ib diploma series this highly illustrated

mathematics higher level for the ib diploma fannon paul free - Sep 03 2022

web mathematics for the ib diploma applications and interpretation sl hl boost by huw jones stephen ward paul fannon vesna kadelburg ben woolley isbn

maths resources study maths cambridge university press - Sep 22 2021

mathematics higher level for the ib diploma exam - Mar 29 2022

web jul 19 2021 mathematics for the ib diploma higher level series and differential equations neill hugh free download borrow and streaming internet archive

maths resources study maths cambridge university press - Apr 29 2022

web ib diploma programme the international baccalaureate diploma programme ibdp is a two year educational programme primarily aimed at 16 to 19 year olds in 140 countries

[mathematics for the ib diploma loescher it](#) - Nov 24 2021

web mathematics higher level for the ib diploma option topic 8 sets relations and groups isbn 9781107646285 format paperback subject s mathematics qualification ib

preview mathematics higher level for the ib diploma solutions - May 31 2022

web author s paul fannon vesna kadelburg ben woolley stephen ward available from april 2016 this is a series of fully worked solutions manuals for mathematics standard

[diploma programme mathematics higher level xtremepapers](#) - Oct 04 2022

web may 14 2021 mathematics higher level for the ib diploma by fannon paul publication date 2012 topics mathematics examinations study guides

ib diploma programme wikipedia - Feb 25 2022

web citation preview mathematics higher level for the ib diploma paul fannon vesna kadelburg ben woolley and stephen ward not for printing sharing or distribution

[your mathematics hl course books secondary oup](#) - Dec 06 2022

web mathematics higher level for the ib diploma exam preparation guide isbn 9781107672154 format paperback learning stage a level as level a2 level

maths resources study maths cambridge university press - Oct 24 2021

ib mathematics higher level subject brief unis - Feb 08 2023

web sep 6 2012 mathematics higher level for the ib diploma ib diploma group 5 mathematics author s paul fannon vesna kadelburg ben woolley stephen

[maths resources study maths cambridge university](#) - Mar 09 2023

web the ib diploma programme mathematics higher level course is for students with a strong background in mathematics and competence in a range of analytical and technical

best blue films xxx watch blue films online and with no sign up - Apr 10 2023

web head over to the blue films category on atube xxx and start exploring the hottest and most intense blue films that the internet has to offer whether you re into hardcore

camp hideout 2023 imdb - Sep 10 2020

web 20 hours ago camp hideout directed by sean olson with corbin bleu ethan drew amanda leighton christopher lloyd after a troubled teen steals an important item from

[mob psycho 100 s director is back with an anime jazz movie](#) - Oct 12 2020

web 2 days ago gkids announced via x formerly twitter on wednesday that blue giant the new anime film from mob psycho 100 and death parade director yuzuru tachikawa will

blue film porno search xvideos com - Feb 25 2022

web 25 min british blue movies 145 3k views 720p hot blue eyed teen blonde first time shooting a porn movie 6 min 6 min xdreamz93 1080p slutty garage trailer film

hot sexy blue films porn access the most popular blue films of - Jul 13 2023

web welcome to the blue films category on pornbl your one stop destination for the hottest and most explicit porn sex videos online this category is dedicated to showcasing the

blue ant media sets asia pacific expansion hires jon penn - Mar 17 2021

web 1 day ago blue ant media the canadian owned group with operations spanning tv production distribution and channels management is creating a new asia pacific base

the morning show season 3 brings jon hamm in to play - Dec 14 2020

web 2 days ago the opening sequence finds the first of these two awful people alex levy jennifer aniston reviewing a draft of her own video obituary which has been prepared

sex in the 70s blue movies tv episode 2005 imdb - Jun 07 2020

web jan 31 2005 blue movies directed by jacques peretti with michael armstrong robin askwith christopher biggins veronica doran the rise and fall of the 1970s british sex

indian woman in blue film blue video film indiatimes com - Sep 22 2021

web jun 18 2015 dubai s thriving travel tech industry powering the ever growing travel landscape in the city of luxury and business when is ganesh chaturthi in 2023 date

blue film search xnxx com - Apr 29 2022

web skye blue helps her neighbor honey gold have an orgasm she takes off her panties while honey masturbates but she needs more so honey steps closer and licks her pussy

sexy film blue porn free hot sexy film blue videos anylips - Sep 03 2022

web super daddy vanessa b smoking banged in cheap hotelroom dental hygenist doing her second film 10 years after her first sex interview nubile films the morning rise

sexy blue film sexy blue film indian porn dirtyindianporn2 com - Jun 12 2023

web it s a complete collection of sexy blue film sexy blue film sex content that not too many pages manage to have that s why dirtyindianporn2 com is the most popular search for

blue film search xnxx com - Aug 02 2022

web british blue movies classic vintage porn from france 423 9k 100 82min 360p hard action sex with naughty real gf mickey blue movie 26 48 8k 90 7min 480p

[thank you for coming review karan boolani s sex indiewire](#) - May 31 2022

web september 12 2023 9 00 am thank you for coming courtesy tiff seventy percent of women don t orgasm because 90 percent of men don t know how to get her there a

hindi sexy blue film porn xxx indian films - Jan 27 2022

web hindi sexy blue film 00 00 00 00 old player 18068 favorite download share watch hot blonde used all her holes during sex on pornhub com the best hardcore porn site

who is susanna gibson nurse practitioner s videos with - Jun 19 2021

web sep 12 2023 tue 12 september 2023 11 34 uk susanna gibson a virginia democratic candidate running for the commonwealth s house of delegates has been accused of

[list of indian films of 2023 wikipedia](#) - Aug 10 2020

web the new indian express 21 june 2023 the 300 crore worldwide films post pandemic across india box office india 25 may 2023 varisu is now vijay s highest grossing

opinion red white royal blue and the power of political - Jan 15 2021

web sep 9 2023 part fairy tale part rom com the new amazon prime movie red white and royal blue is the kind of cotton candy entertainment perfect for the idle days of late

[blue films xxx videos blue films to stream in hd quality](#) - Mar 09 2023

web welcome to the blue films category on xxxvideor com where you can find a wide selection of free porn videos featuring xxx stars in some of the most intense and erotic blue films

sexy blue film xxx blue film - Jul 01 2022

web get erotic blue film hard porn watch only best free erotic blue film indian and hindi porn videos and xxx movies in hd which updates hourly

blue Nile Ethiopia says it has filled the reservoir on its highly - May 19 2021

web sep 11 2023 ethiopia announced on sunday it had completed the fourth and final phase of filling a reservoir for its huge and controversial hydroelectric power plant on the blue

a million miles away the true story of astronaut José - Apr 17 2021

web 3 hours ago former nasa astronaut José Hernández left and film director Alejandra Márquez Abella together at the four seasons in hollywood nalani hernandez melo

[air force 1 x tiffany co nike](#) - Nov 12 2020

web [air force 1 x tiffany co 1837](#) [xxx blue film blue film sex video](#) - Oct 24 2021

web watch hindi blue film on indian xxx the best hindi porn site indian xxx is a heaven of desi sex videos all free and hd porn erotic movies daily update for you

[blue film porn videos sex movies redtube com](#) - Jul 09 2020

web erika lust odette skye blue alina ali eating out each other in outdoors lesbian 3some eau de pussy in xconfessions 1 200 views 0 skye blue 1080p 10 40

[blue films hd xxx blue film starlets give hot blowjobs and gulp](#) - Nov 05 2022

web retro blue films hot pussy fucking in hd 01 18 08 retro lady with claims madam scandal in 720p hd with english sub 10 42 amateur arab couple explores forbidden

hd blue films xxx tube videos hd xxx - Feb 08 2023

web welcome to the blue films category on tubevideoshd xxx where you can find the hottest and most explicit adult content featuring blue eyed beauties this category is perfect for

[blue porn videos and free blue xxx sex movies youporn](#) - Jan 07 2023

web our selection of free blue xxx sex movies will keep you coming back for more so visit youporn now this site uses cookies to offer you a better browsing experience find out

blue films sex stream free blue films on our xxx sex - May 11 2023

web free sex films in the ocean welcome to the blue films category on sexm xxx where you can find a wide selection of sex videos xxx videos and sex tube content that will leave

[virginia house candidate performed sex with husband in live videos](#) - Aug 22 2021

web sep 12 2023 associated press richmond va a candidate in a high stakes legislative contest in virginia had sex with her husband in live videos posted on a

sexy blue film porn hot sexy blue film xxx videos sexm xxx - Aug 14 2023

web these xxx movies are guaranteed to get you off in no time watch free sexy blue film sex xxx movies along with premium retro topless celebrity handjob big tits blowjob

[whoopi goldberg stuns view co host alyssa farah griffin are](#) - Feb 13 2021

web sep 14 2023 the view moderator whoopi goldberg brought a political discussion and today s episode to a weird out of the blue halt today when she stunned co host alyssa

blue finch boards global sales on sitges beyond film last - Jul 21 2021

web 13 hours ago blue finch films has boarded worldwide sales on horror thriller last straw set to have its world premiere at

the sites film festival before making its way

xxx hindi blue film xxx indian blue film - Nov 24 2021

web young and teen nymphs from india are waiting for you in xxx hindi and indian blue film videos where they would show all of their skills in hot sex on sexybluefilm com free and

blue films sex free hd - Oct 04 2022

web 14 54 erotic thriller with a retro twist blue films retro erotic 01 28 27 vintage cosplay party turns into a wild gangbang with three teens and a big dick guy orgy group teen

hot sex blue movies sex videos sexm xxx - Mar 29 2022

web 05 31 huge toy satisfies mick blue s anal desires 16 10 blue films classic threesome with skinny college girl in anal roleplay 14 09 indian aunty gives a hot ride to her big titted

viral video bigg boss star sonali raut goes topless in sexy - Dec 26 2021

web 1 day ago though sonali raut has failed to leave her mark in films but she is a social media star sonali raut first grabbed eyeballs in 2010 when she joined the kingfisher

indian hot and sexy blue movie xhamster - Dec 06 2022

web indian blue films indian film indian hot sexy sexy and hot chat with x hamster live girls now more girls 00 00 05 34 1x 24 837 69