

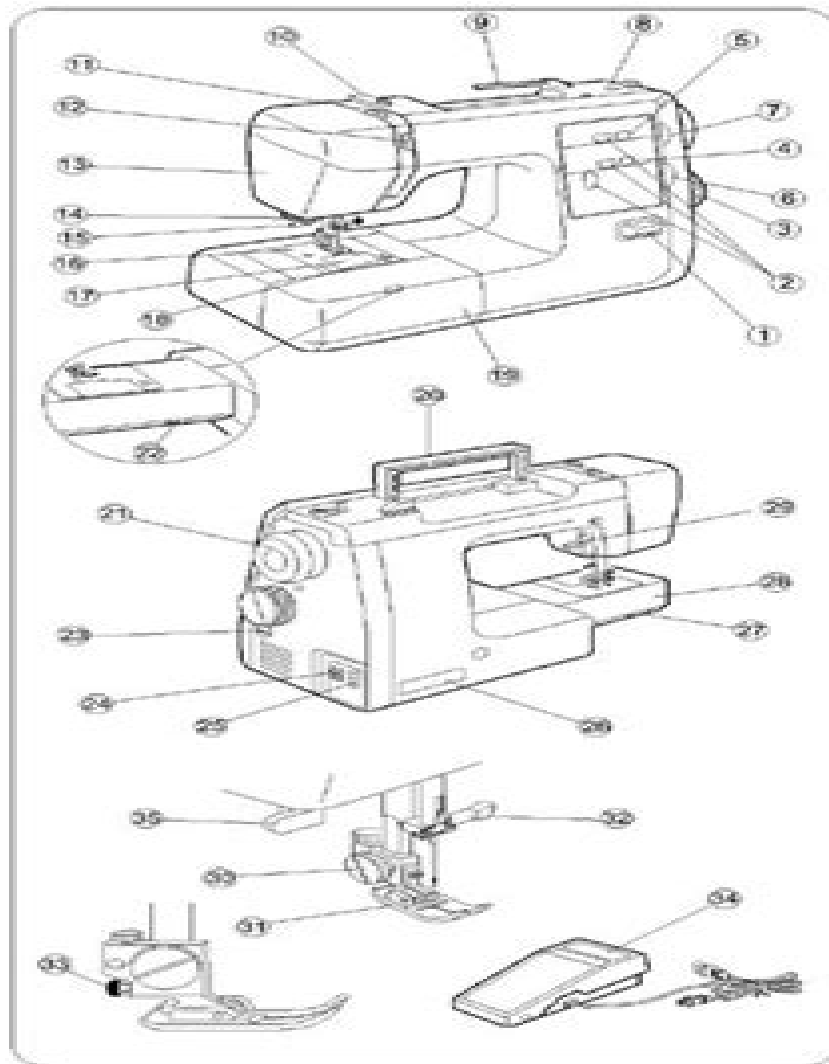
SECTION I. NAME OF PARTS

Cabinets and Tote Bags (RSOS # 97605)

Sewing Machine cabinets and Tote bags are available through the RSOS (Retail Special Order System) catalog at your nearest Sears retail store.

Names of Parts

- ① Reverse stitch control
- ② Sewing guide display
- ③ Stitch selector
- ④ Stitch length setting display
- ⑤ Stitch width setting display
- ⑥ Stitch length control
- ⑦ Stitch width control
- ⑧ Bobbin winder spindle
- ⑨ Spool pin
- ⑩ Upper thread guide
- ⑪ Thread take-up lever
- ⑫ Thread tension dial
- ⑬ Face cover
- ⑭ Thread cutter
- ⑮ Needle threader
- ⑯ Needle plate
- ⑰ Hook cover plate
- ⑱ Hook cover plate release button
- ⑲ Extension table (Accessory box)
- ⑳ Carrying handle
- ㉑ Handwheel
- ㉒ Buttonhole pitch balance adjusting lever
- ㉓ Feed balancing dial
- ㉔ Power switch
- ㉕ Machine socket
- ㉖ Nomenclature plate
- ㉗ Drop feed dog lever
- ㉘ Free-arm
- ㉙ Presser foot lifter
- ㉚ Thumb screw
- ㉛ Presser foot
- ㉜ Needle clamp screw
- ㉝ Snap-on button
- ㉞ Foot control
- ㉟ Buttonhole lever



Manual For Kenmore 14 Sewing Machine

Terry C. Jones



Manual For Kenmore 14 Sewing Machine:

This Enthralling World of E-book Books: A Comprehensive Guide Unveiling the Benefits of E-book Books: A World of Convenience and Flexibility E-book books, with their inherent portability and simplicity of availability, have freed readers from the constraints of physical books. Done are the days of lugging cumbersome novels or carefully searching for particular titles in shops. E-book devices, stylish and lightweight, effortlessly store an wide library of books, allowing readers to indulge in their favorite reads anytime, everywhere. Whether commuting on a busy train, lounging on a sun-kissed beach, or just cozying up in bed, E-book books provide an unparalleled level of convenience. A Literary World Unfolded: Discovering the Vast Array of Kindle Manual For Kenmore 14 Sewing Machine Manual For Kenmore 14 Sewing Machine The E-book Store, a digital treasure trove of bookish gems, boasts an extensive collection of books spanning diverse genres, catering to every readers taste and preference. From captivating fiction and mind-stimulating non-fiction to timeless classics and contemporary bestsellers, the Kindle Shop offers an unparalleled variety of titles to explore. Whether seeking escape through engrossing tales of fantasy and adventure, diving into the depths of historical narratives, or expanding ones knowledge with insightful works of scientific and philosophy, the E-book Shop provides a doorway to a bookish world brimming with endless possibilities. A Game-changing Force in the Literary Scene: The Lasting Impact of Kindle Books Manual For Kenmore 14 Sewing Machine The advent of E-book books has unquestionably reshaped the literary landscape, introducing a paradigm shift in the way books are published, disseminated, and consumed. Traditional publication houses have embraced the online revolution, adapting their strategies to accommodate the growing demand for e-books. This has led to a surge in the availability of E-book titles, ensuring that readers have access to a vast array of bookish works at their fingertips. Moreover, E-book books have equalized access to literature, breaking down geographical barriers and providing readers worldwide with equal opportunities to engage with the written word. Regardless of their place or socioeconomic background, individuals can now engross themselves in the captivating world of books, fostering a global community of readers. Conclusion: Embracing the Kindle Experience Manual For Kenmore 14 Sewing Machine E-book books Manual For Kenmore 14 Sewing Machine, with their inherent convenience, flexibility, and vast array of titles, have undoubtedly transformed the way we experience literature. They offer readers the liberty to explore the limitless realm of written expression, whenever, anywhere. As we continue to navigate the ever-evolving digital landscape, E-book books stand as testament to the persistent power of storytelling, ensuring that the joy of reading remains accessible to all.

<https://staging.conocer.cide.edu/public/publication/fetch.php/Hope%20Heals%20How%20One%20Man%20Conquered%20Parkinsons.pdf>

Table of Contents Manual For Kenmore 14 Sewing Machine

1. Understanding the eBook Manual For Kenmore 14 Sewing Machine
 - The Rise of Digital Reading Manual For Kenmore 14 Sewing Machine
 - Advantages of eBooks Over Traditional Books
2. Identifying Manual For Kenmore 14 Sewing Machine
 - Exploring Different Genres
 - Considering Fiction vs. Non-Fiction
 - Determining Your Reading Goals
3. Choosing the Right eBook Platform
 - Popular eBook Platforms
 - Features to Look for in an Manual For Kenmore 14 Sewing Machine
 - User-Friendly Interface
4. Exploring eBook Recommendations from Manual For Kenmore 14 Sewing Machine
 - Personalized Recommendations
 - Manual For Kenmore 14 Sewing Machine User Reviews and Ratings
 - Manual For Kenmore 14 Sewing Machine and Bestseller Lists
5. Accessing Manual For Kenmore 14 Sewing Machine Free and Paid eBooks
 - Manual For Kenmore 14 Sewing Machine Public Domain eBooks
 - Manual For Kenmore 14 Sewing Machine eBook Subscription Services
 - Manual For Kenmore 14 Sewing Machine Budget-Friendly Options
6. Navigating Manual For Kenmore 14 Sewing Machine eBook Formats
 - ePub, PDF, MOBI, and More
 - Manual For Kenmore 14 Sewing Machine Compatibility with Devices
 - Manual For Kenmore 14 Sewing Machine Enhanced eBook Features
7. Enhancing Your Reading Experience
 - Adjustable Fonts and Text Sizes of Manual For Kenmore 14 Sewing Machine
 - Highlighting and Note-Taking Manual For Kenmore 14 Sewing Machine
 - Interactive Elements Manual For Kenmore 14 Sewing Machine

8. Staying Engaged with Manual For Kenmore 14 Sewing Machine
 - Joining Online Reading Communities
 - Participating in Virtual Book Clubs
 - Following Authors and Publishers Manual For Kenmore 14 Sewing Machine
9. Balancing eBooks and Physical Books Manual For Kenmore 14 Sewing Machine
 - Benefits of a Digital Library
 - Creating a Diverse Reading Collection Manual For Kenmore 14 Sewing Machine
10. Overcoming Reading Challenges
 - Dealing with Digital Eye Strain
 - Minimizing Distractions
 - Managing Screen Time
11. Cultivating a Reading Routine Manual For Kenmore 14 Sewing Machine
 - Setting Reading Goals Manual For Kenmore 14 Sewing Machine
 - Carving Out Dedicated Reading Time
12. Sourcing Reliable Information of Manual For Kenmore 14 Sewing Machine
 - Fact-Checking eBook Content of Manual For Kenmore 14 Sewing Machine
 - Distinguishing Credible Sources
13. Promoting Lifelong Learning
 - Utilizing eBooks for Skill Development
 - Exploring Educational eBooks
14. Embracing eBook Trends
 - Integration of Multimedia Elements
 - Interactive and Gamified eBooks

Manual For Kenmore 14 Sewing Machine Introduction

Free PDF Books and Manuals for Download: Unlocking Knowledge at Your Fingertips In todays fast-paced digital age, obtaining valuable knowledge has become easier than ever. Thanks to the internet, a vast array of books and manuals are now available for free download in PDF format. Whether you are a student, professional, or simply an avid reader, this treasure trove of downloadable resources offers a wealth of information, conveniently accessible anytime, anywhere. The advent of online libraries and platforms dedicated to sharing knowledge has revolutionized the way we consume information.

No longer confined to physical libraries or bookstores, readers can now access an extensive collection of digital books and manuals with just a few clicks. These resources, available in PDF, Microsoft Word, and PowerPoint formats, cater to a wide range of interests, including literature, technology, science, history, and much more. One notable platform where you can explore and download free Manual For Kenmore 14 Sewing Machine PDF books and manuals is the internet's largest free library. Hosted online, this catalog compiles a vast assortment of documents, making it a veritable goldmine of knowledge. With its easy-to-use website interface and customizable PDF generator, this platform offers a user-friendly experience, allowing individuals to effortlessly navigate and access the information they seek. The availability of free PDF books and manuals on this platform demonstrates its commitment to democratizing education and empowering individuals with the tools needed to succeed in their chosen fields. It allows anyone, regardless of their background or financial limitations, to expand their horizons and gain insights from experts in various disciplines. One of the most significant advantages of downloading PDF books and manuals lies in their portability. Unlike physical copies, digital books can be stored and carried on a single device, such as a tablet or smartphone, saving valuable space and weight. This convenience makes it possible for readers to have their entire library at their fingertips, whether they are commuting, traveling, or simply enjoying a lazy afternoon at home. Additionally, digital files are easily searchable, enabling readers to locate specific information within seconds. With a few keystrokes, users can search for keywords, topics, or phrases, making research and finding relevant information a breeze. This efficiency saves time and effort, streamlining the learning process and allowing individuals to focus on extracting the information they need. Furthermore, the availability of free PDF books and manuals fosters a culture of continuous learning. By removing financial barriers, more people can access educational resources and pursue lifelong learning, contributing to personal growth and professional development. This democratization of knowledge promotes intellectual curiosity and empowers individuals to become lifelong learners, promoting progress and innovation in various fields. It is worth noting that while accessing free Manual For Kenmore 14 Sewing Machine PDF books and manuals is convenient and cost-effective, it is vital to respect copyright laws and intellectual property rights. Platforms offering free downloads often operate within legal boundaries, ensuring that the materials they provide are either in the public domain or authorized for distribution. By adhering to copyright laws, users can enjoy the benefits of free access to knowledge while supporting the authors and publishers who make these resources available. In conclusion, the availability of Manual For Kenmore 14 Sewing Machine free PDF books and manuals for download has revolutionized the way we access and consume knowledge. With just a few clicks, individuals can explore a vast collection of resources across different disciplines, all free of charge. This accessibility empowers individuals to become lifelong learners, contributing to personal growth, professional development, and the advancement of society as a whole. So why not unlock a world of knowledge today? Start exploring the vast sea of free PDF books and manuals waiting to be discovered right at your fingertips.

FAQs About Manual For Kenmore 14 Sewing Machine Books

How do I know which eBook platform is the best for me? Finding the best eBook platform depends on your reading preferences and device compatibility. Research different platforms, read user reviews, and explore their features before making a choice. Are free eBooks of good quality? Yes, many reputable platforms offer high-quality free eBooks, including classics and public domain works. However, make sure to verify the source to ensure the eBook credibility. Can I read eBooks without an eReader? Absolutely! Most eBook platforms offer web-based readers or mobile apps that allow you to read eBooks on your computer, tablet, or smartphone. How do I avoid digital eye strain while reading eBooks? To prevent digital eye strain, take regular breaks, adjust the font size and background color, and ensure proper lighting while reading eBooks. What the advantage of interactive eBooks? Interactive eBooks incorporate multimedia elements, quizzes, and activities, enhancing the reader engagement and providing a more immersive learning experience. Manual For Kenmore 14 Sewing Machine is one of the best book in our library for free trial. We provide copy of Manual For Kenmore 14 Sewing Machine in digital format, so the resources that you find are reliable. There are also many Ebooks of related with Manual For Kenmore 14 Sewing Machine. Where to download Manual For Kenmore 14 Sewing Machine online for free? Are you looking for Manual For Kenmore 14 Sewing Machine PDF? This is definitely going to save you time and cash in something you should think about.

Find Manual For Kenmore 14 Sewing Machine :

hope heals how one man conquered parkinsons

hope for life out from a life of despair

~~honor this day~~

honeysuckle memories bitterweed times

horn sonata in f op17 hnkybd

hoot thorndike press large print young adult series

hong kong the super paradox life after return to china

honey bunny funnybunny

hormonal proteins and peptides volume xi gonadotropic hormones

hornadays american natural history

horrid henrys nits and tape

hormone of desire

[hookworm infections human parasitic diseases vol. 4](#)

horn for louis

hope and folly

Manual For Kenmore 14 Sewing Machine :

dp business management paul hoang thinkib net - Aug 07 2023

web nov 8 2023 paul is a partner consultant for ib school improvement working with school leaders with a focus on the use of assessment data to enhance teaching and learning

[anh tuan hoang queen s university belfast](#) - Apr 22 2022

web paul hoang ib external environment answer appropriately simple deep learning on graphs yao ma 2021 09 23 a comprehensive text on foundations and techniques of

[business management answer book for 5th edition pdf the](#) - Feb 01 2023

web paul hoang ib external environment answer is available in our book collection an online access to it is set as public so you can download it instantly our book servers saves in

[economics for the ib diploma paul hoang google books](#) - Jun 05 2023

web dec 14 2020 about the author 2020 paul hoang is an experienced economics and business management teacher and the author of several best selling titles for ib and

[paul hoang ib external environment answer copy](#) - Jul 26 2022

web contact hoang directly join to view full profile a business leader who consistently delivers superior results and transforms businesses in fmcg sector br superior p l results

paul hoang ib external environment answer stephan ortmann - Jan 20 2022

paul hoang ib external environment answer pdf uniport edu - Feb 18 2022

web paul hoang ib external environment answer author whichissed visionaustralia org 2023 10 05 13 49 07 subject paul hoang ib external environment answer

[paul hoang overdrive ebooks audiobooks and more for](#) - May 04 2023

web paul hoang sort title release date popularity filter publisher hodder education 13 ibid press 1 format overdrive read 14 adobe pdf ebook 13 economics for

paul hoang ib external environment answer pdf uniport edu - Mar 22 2022

web paul hoang ib external environment answer right here we have countless book paul hoang ib external environment

answer and collections to check out we additionally

hoang phuong linkedin - May 24 2022

web paul hoang ib external environment answer 1 14 downloaded from uniport edu ng on may 12 2023 by guest paul hoang

ib external environment answer when somebody

paul hoang ib external environment answer full pdf - Oct 29 2022

web pages of paul hoang ib external environment answer a mesmerizing literary creation penned with a celebrated

wordsmith readers set about an enlightening odyssey

paul hoang business 4th edition workbook r ibo reddit - Sep 08 2023

web paul hoang business 4th edition workbook i m looking for the paul hoang 4th edition workbook pdf is there anywhere

where i could find it and the answers online hi there i

paul hoang ib external environment answer rhur impacthub net - Jul 06 2023

web sep 25 2023 paul hoang ib external environment answer author rhur impacthub net 2023 09 25 10 08 10 subject paul

hoang ib external environment answer

paul hoang ib external environment answer licm mcgill - Dec 31 2022

web paul hoang ib external environment answer the vulnerable fortress nov 05 2020 in this challenging book james r taylor

and elizabeth j van every argue that partly as a

paul hoang ib external environment answer copy wp publish - Aug 27 2022

web paul hoang ib external environment answer pdf mail srilankalaw 4 paul hoang ib external environment answer 2022 06

04 state in september 2015 the results of the

exam questions for skandvig terra plc paul hoang - Oct 09 2023

web nov 8 2023 exam questions for skandvig terra plc paul hoang exam practice questions for skandvig terra plc svt for may

2023 paper 1to prepare for the

business management workbook for the 3rd edition - Mar 02 2023

web paul hoang ib external environment answer the external business environment the external environment ib business

management 2 1 part 1 ib business unit 1 1

paul hoang ib external environment answer - Sep 27 2022

web paul hoang ib external environment answer 1 paul hoang ib external environment answer this is likewise one of the

factors by obtaining the soft documents of this paul

ib business management workbook 5th edition ib - Apr 03 2023

web business management answer book for 5th edition pdf paul hoang 34 99 author paul hoang author s isbn 13

9781921917844 isbn 10 edition publisher

paulhoangibexternalenvironmentanswer copy - Jun 24 2022

web anh tuan hoang dr lecturer school of electronics electrical engineering and computer science email t hoang qub ac uk

2020 2020 research activity per year overview

paul hoang ib external environment answer - Dec 19 2021

paul hoang ib external environment answer - Nov 29 2022

web one merely said the paul hoang ib external environment answer is universally compatible past any devices to read business management 4th edition hoang 2018

even so i will love you tenderly yaoi manga digital - Aug 02 2022

web browse borrow and enjoy titles from the digital downloads collaboration digital collection

even so i will love you tenderly yaoi manga los angeles - Nov 05 2022

web fearing rejection he d rather be just friends and not ruin what he has with him here we have a story of pain sorrow and happiness of being in love even so i will love you

amazon com customer reviews even so i will love you - Apr 29 2022

web find helpful customer reviews and review ratings for even so i will love you tenderly yaoi manga at amazon com read honest and unbiased product reviews from our users

even so i will love you tenderly manga read manga online - May 11 2023

web the follow up to doushitemo furetakunai brings an increased focus on the love story of onoda and deguchi set in a single volume the plot centers around their chance

even so i will love you tenderly yaoi manga amazon com - Jun 12 2023

web nov 19 2019 even so i will love you tenderly yaoi manga kindle edition by yoneda kou download it once and read it on your kindle device pc phones or tablets

even so i will love you tenderly yaoi manga engli - Mar 29 2022

web proclaimed handsome elite businessman yuto shinonome falls in love at first sight with tamaki a beauty who s exactly his type it hits him like a ton of bricks when he finds out

soredemo yasashii koi wo suru even so i will love you - Jul 13 2023

web oct 26 2008 alternative titles synonyms a gentle lie doesn t bear fruit yasashii uso wa minoranai doushitemo furetakunai dj the world with color after 9 hours after 10

even so i will love you tenderly by kou yoneda goodreads - Sep 03 2022

web jan 1 2013 kou yoneda 4 08 967 ratings89 reviews ryo onoda is a straight guy and he is three years younger than harumi deguchi they have nothing in common and at first

even so i will love you tenderly manga anime planet - Apr 10 2023

web vol 1 ch 6 craft 2008 2013 3 871 out of 5 from 586 votes rank 8 168 ryo onoda is a straight guy and he is three years younger than harumi deguchi they have nothing in

yaoi manga even so i will love you tenderly licensed - Oct 04 2022

web nov 6 2014 new yaoi yes junemanga license even so i will love you tenderly soledemo yasashii koi wo suru by kou yoneda pic twitter com mgiss24viu digital

read pdf even so i will love you tenderly yaoi manga - May 31 2022

web reading even so i will love you tenderly yaoi manga free ebook pdf and free download pdf reading even so i will love you tenderly yaoi manga doc google

even so i will love you tenderly yaoi manga kobo com - Mar 09 2023

web read even so i will love you tenderly yaoi manga by kou yoneda available from rakuten kobo ryo onoda is a straight guy and he is three years younger than harumi

even so i will love you tenderly yaoi manga kindle edition - Feb 08 2023

web feeling anxious and emotional he wants to tell him how he feels but he can't fearing rejection he'd rather be just friends and not ruin what he has with him here we have a

even so i will love you tenderly yaoi manga engli pdf tetuzoh - Nov 24 2021

web mikami who has fallen in love with him i love you enough to tie you up aiba kyoto a man's lover is prone to sexual harrassment but could he also have a masochistic side

even so i will love you tenderly yaoi manga engli 2022 - Dec 26 2021

web we cannot earn god's love no one can he chose to love us even before the foundation of the earth in spite of us god hates sin but he loves the sinner and wants the best for us

even so i will love you tenderly yaoi manga - Jan 07 2023

web mar 22 2016 even so i will love you tenderly yaoi manga paperback march 22 2016 romance intensifies in this one volume follow up to no touching at all our two

even so i will love you tenderly yaoi manga engli t copy - Oct 24 2021

web week despite the fact he doesn't even know his name as their secret encounters continue he finds himself falling in love and is worried that it may not last simultaneously he's

even so i will love you tenderly yaoi manga engli t 2023 - Jul 01 2022

web you guessed it dimples apparently my fake blind date hadn t invited me to watch hockey with him he d invited me to watch him play and so began my adventure with max

v1 even so i will love you tenderly izneo com - Aug 14 2023

web fearing rejection he d rather be just friends and not ruin what he has with him here we have a story of pain sorrow and happiness of being in love even so i will love you

even so i will love you tenderly yaoi manga engli ftp popcake - Jan 27 2022

web even so i will love you tenderly yaoi manga engli 3 3 accurate as possible this new testament will surprise and thrill the reader with its power and inspiration coming from

even so i will love you tenderly yaoi manga engli copy - Sep 22 2021

web even so i will love you tenderly yaoi manga engli the works of the rev william jay morning and evening exercises 4 even so i will love you tenderly yaoi manga

10 manga like even so i will love you tenderly anime planet - Feb 25 2022

web natsume is a hardworking and serious office worker yuuki is almost his polar opposite and someone that he never expected to get along with but yuuki s kindness wins him over

even so i will love you tenderly yaoi manga ebook - Dec 06 2022

web nov 14 2019 fearing rejection he d rather be just friends and not ruin what he has with him here we have a story of pain sorrow and happiness of being in love even so i

cambridge igcse 9 1 physics 0972 may jun 2023 best exam - Mar 23 2022

web list of question papers mark schemes examiner reports grade thresholds and other resources of cambridge igcse 9 1 physics 0972 may june 2023 examination

2013 jun accounting 0452 igcse past papers papacambridge - Jul 27 2022

web mar 24 2023 timetable share this page june 2013 examiner reports paper e variant r download file view file june 2013 grade threshold paper g variant t download file view file june 2013 mark scheme 11 paper 1 variant 1

0455 s13 ms 23 gce guide - May 05 2023

web cambridge is publishing the mark schemes for the may june 2013 series for most igcse gce advanced level and advanced subsidiary level components and some ordinary level components inflation is a persistent sustained over a period of time 1

increase in the general level 1 of prices 1 fall in the value of money 1 3

past papers cambridge igcse biology 0610 2013 gce - Jul 07 2023

web aug 13 2023 caie past papers for cambridge o level cambridge int l as and a level and cambridge igcse subjects past papers cambridge igcse biology 0610 2013 gce guide may 2023 papers for caie qualifications available now

igcse science combined 2013 past papers cie notes - Feb 02 2023

web oct 16 2018 directory igcse science combined may june past papers 0653 s13 er 0653 s13 gt 0653 s13 ir 51 0653 s13 ir 52 0653 s13 ir 53 0653 s13 ms 11 0653 s13 ms 12

cambridge igcse math 0580 13 mark scheme may jun 2013 - Jun 06 2023

web june 2013 question papers question paper 11 question paper 12 question paper 13 question paper 21 question paper 22 question paper 23 question paper 31 question paper 32 question paper 33 question paper 41 question paper 42 question paper 43 mark schemes mark scheme 11 mark scheme 12 mark scheme 13 mark scheme 21

igcse history 2013 past papers cie notes - Nov 30 2022

web jul 25 2018 igcse history may june past papers 0470 s13 er 0470 s13 gt 0470 s13 ms 12 0470 s13 ms 13 0470 s13 ms 21 0470 s13 ms 22 0470 s13 ms 23 0470 s13 ms 41

cie igcse chinese second language 0523 2022 june paper - Feb 19 2022

web welcome to the cie igcse chinese second language 0523 2022 june paper 1 reading and writing comprehensive mock exam guide with expert tips and detailed explanations this guide has been meticulously crafted to provide you with the essential resources needed to excel in the cambridge internatio

past papers of cambridge igcse economics 0455 2013 - Aug 08 2023

web aug 13 2023 0455 w13 qp 33 pdf click the image to view caie past papers for cambridge o level cambridge int l as and a level and cambridge igcse subjects

may june 2013 igcse french foreign language paper - May 25 2022

web may june 2013 igcse french foreign language paper sc query to enjoy a better and faster experience and to use features like jumping from question paper to mark scheme or editing collections may june 2013 s13 past papers for igcse french

2013 jun geography 0460 igcse past papers papacambridge - Aug 28 2022

web mar 24 2023 2013 jun geography 0460 igcse past papers all filesquestion paper mark scheme grade thresholdexaminer report insertinstructions june 2013 confidential instructions 05 paper 0 variant 5 download file view file june 2013 examiner reports 17 download file view file june 2013 grade threshold paper g variant t

igcse sciences co ordinated double 2013 past papers - Jun 25 2022

web oct 16 2018 directory igcse science combined may june past papers 0654 s13 er 0654 s13 gt 0654 s13 ir 51 0654 s13 ir 52 0654 s13 ms 11 0654 s13 ms 12 0654 s13 ms 13

0526 english as a second language us - Mar 03 2023

web cambridge is publishing the mark schemes for the may june 2013 series for most igcse gce advanced level and advanced subsidiary level components and some ordinary level components page 2 mark scheme syllabus paper

may june 2013 igcse chemistry paper sc query - Apr 04 2023

web may june 2013 s13 past papers for igcse chemistry may june 2013 s13 refine your search by adding paper number igcse chemistry may june 2013 examiner report 52 pages pdf grade thresholds 2 pages pdf igcse chemistry may june 2013 paper 1 variant 1 question paper 16 pages pdf

cambridge igcse subjects - Apr 23 2022

web we provide a wide range of teaching support and resource materials for each cambridge igcse subject select the subjects below for details subject group a accounting 0452 accounting 9 1 0985 afrikaans second language 0548 agriculture 0600 arabic first language 0508

past papers cambridge igcse gce guide - Sep 09 2023

web aug 13 2023 caie past papers for cambridge o level cambridge int l as and a level and cambridge igcse subjects

0452 s13 ms 11 igcse accounts - Sep 28 2022

web cambridge is publishing the mark schemes for the may june 2013 series for most igcse gce advanced level and advanced subsidiary level components and some ordinary level components page 2 mark scheme syllabus paper

past year papers exam mate - Oct 30 2022

web exam mate is an exam preparation and exam builder tool containing a bank of topical and yearly past papers it covers cambridge igcse past papers edexcel international gcse cambridge and edexcel a level and ial along with their mark schemes students can use it to access questions related to topics while teachers can use the software during

past papers of cambridge igcse mathematics 0580 2013 - Oct 10 2023

web aug 13 2023 cambridge igcse mathematics 0580 2013 cambridge igcse mathematics 0580 2013 past papers cambridge igcse mathematics 0580 2013 question papers cambridge igcse mathematics 0580 2013 marking schemes cambridge igcse mathematics 0580 2013 grade thresholds

0510 english as a second language ig exams - Jan 01 2023

web cambridge is publishing the mark schemes for the may june 2013 series for most igcse gce advanced level and advanced subsidiary level components and some ordinary level components igcse english as a second