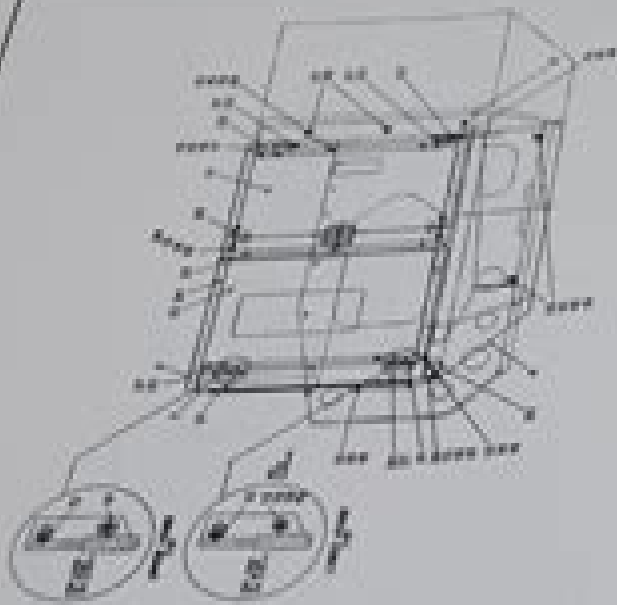


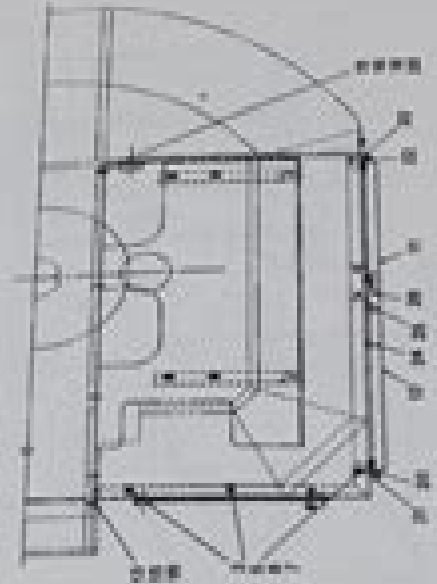
Grave Worktable



(SHEET 4 OF 5)

Page 42

Grave Worktable



(SHEET 4 OF 5)

Page 42

Grove Aerial Work Platform Manual

Rosina Ehmann



Grove Aerial Work Platform Manual:

Embark on a breathtaking journey through nature and adventure with Crafted by is mesmerizing ebook, Natureis Adventure: **Grove Aerial Work Platform Manual** . This immersive experience, available for download in a PDF format (Download in PDF: *), transports you to the heart of natural marvels and thrilling escapades. Download now and let the adventure begin!

<https://staging.conocer.cide.edu/files/publication/Documents/latin%20america%20the%20pagans%20papists%20patriot.pdf>

Table of Contents Grove Aerial Work Platform Manual

1. Understanding the eBook Grove Aerial Work Platform Manual
 - The Rise of Digital Reading Grove Aerial Work Platform Manual
 - Advantages of eBooks Over Traditional Books
2. Identifying Grove Aerial Work Platform Manual
 - Exploring Different Genres
 - Considering Fiction vs. Non-Fiction
 - Determining Your Reading Goals
3. Choosing the Right eBook Platform
 - Popular eBook Platforms
 - Features to Look for in an Grove Aerial Work Platform Manual
 - User-Friendly Interface
4. Exploring eBook Recommendations from Grove Aerial Work Platform Manual
 - Personalized Recommendations
 - Grove Aerial Work Platform Manual User Reviews and Ratings
 - Grove Aerial Work Platform Manual and Bestseller Lists
5. Accessing Grove Aerial Work Platform Manual Free and Paid eBooks
 - Grove Aerial Work Platform Manual Public Domain eBooks
 - Grove Aerial Work Platform Manual eBook Subscription Services
 - Grove Aerial Work Platform Manual Budget-Friendly Options
6. Navigating Grove Aerial Work Platform Manual eBook Formats

- ePub, PDF, MOBI, and More
- Grove Aerial Work Platform Manual Compatibility with Devices
- Grove Aerial Work Platform Manual Enhanced eBook Features
- 7. Enhancing Your Reading Experience
 - Adjustable Fonts and Text Sizes of Grove Aerial Work Platform Manual
 - Highlighting and Note-Taking Grove Aerial Work Platform Manual
 - Interactive Elements Grove Aerial Work Platform Manual
- 8. Staying Engaged with Grove Aerial Work Platform Manual
 - Joining Online Reading Communities
 - Participating in Virtual Book Clubs
 - Following Authors and Publishers Grove Aerial Work Platform Manual
- 9. Balancing eBooks and Physical Books Grove Aerial Work Platform Manual
 - Benefits of a Digital Library
 - Creating a Diverse Reading Collection Grove Aerial Work Platform Manual
- 10. Overcoming Reading Challenges
 - Dealing with Digital Eye Strain
 - Minimizing Distractions
 - Managing Screen Time
- 11. Cultivating a Reading Routine Grove Aerial Work Platform Manual
 - Setting Reading Goals Grove Aerial Work Platform Manual
 - Carving Out Dedicated Reading Time
- 12. Sourcing Reliable Information of Grove Aerial Work Platform Manual
 - Fact-Checking eBook Content of Grove Aerial Work Platform Manual
 - Distinguishing Credible Sources
- 13. Promoting Lifelong Learning
 - Utilizing eBooks for Skill Development
 - Exploring Educational eBooks
- 14. Embracing eBook Trends
 - Integration of Multimedia Elements
 - Interactive and Gamified eBooks

Grove Aerial Work Platform Manual Introduction

Grove Aerial Work Platform Manual Offers over 60,000 free eBooks, including many classics that are in the public domain. Open Library: Provides access to over 1 million free eBooks, including classic literature and contemporary works. Grove Aerial Work Platform Manual Offers a vast collection of books, some of which are available for free as PDF downloads, particularly older books in the public domain. Grove Aerial Work Platform Manual : This website hosts a vast collection of scientific articles, books, and textbooks. While it operates in a legal gray area due to copyright issues, its a popular resource for finding various publications. Internet Archive for Grove Aerial Work Platform Manual : Has an extensive collection of digital content, including books, articles, videos, and more. It has a massive library of free downloadable books. Free-eBooks Grove Aerial Work Platform Manual Offers a diverse range of free eBooks across various genres. Grove Aerial Work Platform Manual Focuses mainly on educational books, textbooks, and business books. It offers free PDF downloads for educational purposes. Grove Aerial Work Platform Manual Provides a large selection of free eBooks in different genres, which are available for download in various formats, including PDF. Finding specific Grove Aerial Work Platform Manual, especially related to Grove Aerial Work Platform Manual, might be challenging as theyre often artistic creations rather than practical blueprints. However, you can explore the following steps to search for or create your own Online Searches: Look for websites, forums, or blogs dedicated to Grove Aerial Work Platform Manual, Sometimes enthusiasts share their designs or concepts in PDF format. Books and Magazines Some Grove Aerial Work Platform Manual books or magazines might include. Look for these in online stores or libraries. Remember that while Grove Aerial Work Platform Manual, sharing copyrighted material without permission is not legal. Always ensure youre either creating your own or obtaining them from legitimate sources that allow sharing and downloading. Library Check if your local library offers eBook lending services. Many libraries have digital catalogs where you can borrow Grove Aerial Work Platform Manual eBooks for free, including popular titles. Online Retailers: Websites like Amazon, Google Books, or Apple Books often sell eBooks. Sometimes, authors or publishers offer promotions or free periods for certain books. Authors Website Occasionally, authors provide excerpts or short stories for free on their websites. While this might not be the Grove Aerial Work Platform Manual full book , it can give you a taste of the authors writing style. Subscription Services Platforms like Kindle Unlimited or Scribd offer subscription-based access to a wide range of Grove Aerial Work Platform Manual eBooks, including some popular titles.

FAQs About Grove Aerial Work Platform Manual Books

How do I know which eBook platform is the best for me? Finding the best eBook platform depends on your reading preferences and device compatibility. Research different platforms, read user reviews, and explore their features before

making a choice. Are free eBooks of good quality? Yes, many reputable platforms offer high-quality free eBooks, including classics and public domain works. However, make sure to verify the source to ensure the eBook credibility. Can I read eBooks without an eReader? Absolutely! Most eBook platforms offer webbased readers or mobile apps that allow you to read eBooks on your computer, tablet, or smartphone. How do I avoid digital eye strain while reading eBooks? To prevent digital eye strain, take regular breaks, adjust the font size and background color, and ensure proper lighting while reading eBooks. What the advantage of interactive eBooks? Interactive eBooks incorporate multimedia elements, quizzes, and activities, enhancing the reader engagement and providing a more immersive learning experience. Grove Aerial Work Platform Manual is one of the best book in our library for free trial. We provide copy of Grove Aerial Work Platform Manual in digital format, so the resources that you find are reliable. There are also many Ebooks of related with Grove Aerial Work Platform Manual. Where to download Grove Aerial Work Platform Manual online for free? Are you looking for Grove Aerial Work Platform Manual PDF? This is definitely going to save you time and cash in something you should think about. If you trying to find then search around for online. Without a doubt there are numerous these available and many of them have the freedom. However without doubt you receive whatever you purchase. An alternate way to get ideas is always to check another Grove Aerial Work Platform Manual. This method for see exactly what may be included and adopt these ideas to your book. This site will almost certainly help you save time and effort, money and stress. If you are looking for free books then you really should consider finding to assist you try this. Several of Grove Aerial Work Platform Manual are for sale to free while some are payable. If you arent sure if the books you would like to download works with for usage along with your computer, it is possible to download free trials. The free guides make it easy for someone to free access online library for download books to your device. You can get free download on free trial for lots of books categories. Our library is the biggest of these that have literally hundreds of thousands of different products categories represented. You will also see that there are specific sites catered to different product types or categories, brands or niches related with Grove Aerial Work Platform Manual. So depending on what exactly you are searching, you will be able to choose e books to suit your own need. Need to access completely for Campbell Biology Seventh Edition book? Access Ebook without any digging. And by having access to our ebook online or by storing it on your computer, you have convenient answers with Grove Aerial Work Platform Manual To get started finding Grove Aerial Work Platform Manual, you are right to find our website which has a comprehensive collection of books online. Our library is the biggest of these that have literally hundreds of thousands of different products represented. You will also see that there are specific sites catered to different categories or niches related with Grove Aerial Work Platform Manual So depending on what exactly you are searching, you will be able tochoose ebook to suit your own need. Thank you for reading Grove Aerial Work Platform Manual. Maybe you have knowledge that, people have search numerous times for their favorite readings like this Grove Aerial Work Platform Manual, but end up in harmful downloads. Rather than

reading a good book with a cup of coffee in the afternoon, instead they juggled with some harmful bugs inside their laptop. Grove Aerial Work Platform Manual is available in our book collection an online access to it is set as public so you can download it instantly. Our digital library spans in multiple locations, allowing you to get the most less latency time to download any of our books like this one. Merely said, Grove Aerial Work Platform Manual is universally compatible with any devices to read.

Find Grove Aerial Work Platform Manual :

latin america the pagans papists patriot

law and literature and other essays and addresses

law of christ volume 1 3 moral theology for

last viking

law and mental health professionals arizona

law and state the case of northern ireland

late call

lattice concepts of module theory

lautogestion ganaralisae sarie autonomies

laura second

laughing on the outside crying on the inside

latin celebration

law mental health and mental disorder

latidos en la gran ciudad

law is a jealous mistress

Grove Aerial Work Platform Manual :

Epigenetics: The Ultimate Mystery of Inheritance Time to worry again—our lifestyle choices do impact our genetic code and that of our children (and even grandchildren!). "The potential is staggering. Epigenetics: The Ultimate Mystery of Inheritance Read 95 reviews from the world's largest community for readers. Time to worry again—our lifestyle choices do impact our genetic code and that of our childr... Epigenetics: The Ultimate Mystery of Inheritance Epigenetics: The Ultimate Mystery ; Publisher W. W. Norton & Company ; Publication Date 2011-06-13 ; Section Biology. Type New ; Type New Format

Hardcover Epigenetics: The Ultimate Mystery of Inheritance - Hardcover Time to worry again—our lifestyle choices do impact our genetic code and that of our children (and even grandchildren!). "The potential is staggering. Epigenetics: The Ultimate Mystery of Inheritance. By ... This short book was written by a science writer as an introduction of the area of epigenetic inheritance to the public. The well-written text presents some ... Lamarck's Revenge Aug 17, 2011 — In old-school genetics, genes dominated development but were invulnerable to change themselves. In the epigenetic view of things, genes are mere ... The Ultimate Mystery of Inheritance by Richard C. Francis Sep 23, 2011 — For more than 10 years, scientists have known nearly every letter in the human genetic instruction book. But perhaps more interesting than ... Epigenetics: The Ultimate Mystery of Inheritance... Buy a cheap copy of Epigenetics: The Ultimate Mystery of... book by Richard C. Francis. The burgeoning new science of epigenetics offers a cornucopia of ... Epigenetics | Richard C Francis | W. W. Norton & Company Francis's primer introduces a new field. It's a thorough guide to the many ways in which personality and health can play out through our genes but not be coded ... (PDF) Richard C. Francis Epigenetics The Ultimate Mystery Richard C. Francis Epigenetics The Ultimate Mystery. Descartes: Meditations on First Philosophy: With ... - Amazon This authoritative translation by John Cottingham of the Meditations is taken from the much acclaimed three-volume Cambridge edition of the Philosophical ... Descartes: Meditations on First Philosophy: With ... This is an updated edition of John Cottingham's acclaimed translation of Descartes's philosophical masterpiece, including an abridgement of Descartes's ... Descartes: Meditations on First Philosophy René Descartes. Edited by John Cottingham, University of Reading. Introduction by Bernard Williams. Publisher: Cambridge University Press; Online publication ... Meditations on First Philosophy René Descartes was born at La Haye near Tours on 31 March. 1596. He was educated at the Jesuit Collège de la Flèche in Anjou, and. Meditations on First Philosophy by Rene Descartes Source: Meditations on First Philosophy in which are demonstrated the existence of God and the distinction between the human soul and the body, by René ... Meditations on First Philosophy, with Selections from the ... Meditations on First Philosophy, with Selections from the Objections and Replies. René Descartes, John Cottingham (Translator), Bernard Williams (Introduction). René Descartes: Meditations on First Philosophy Publisher: Cambridge University Press; Online publication date: May 2013; Print publication year: 2013; Online ISBN: 9781139042895 ... John Cottingham (ed.), René Descartes: Meditations on ... by J Cottingham · 1986 · Cited by 100 — Descartes's Meditations on First Philosophy, published in Latin in 1641, is one of the most widely studied philosophical texts of all time, and inaugurates many ... Descartes: Meditations on First Philosophy: With Selections ... Apr 18, 1996 — This authoritative translation by John Cottingham, taken from the much acclaimed three-volume Cambridge edition of the Philosophical Writings of ... Meditations On First Philosophy by R Descartes · Cited by 1055 — RENE DESCARTES. MEDITATIONS ON FIRST PHILOSOPHY deficiencies of my nature? And we cannot say that this idea of God is perhaps materially false and that ... Far East prisoners of war Far East prisoners of war is a term used in the United Kingdom to

describe former British and Commonwealth prisoners of war held in the Far East during the ... What Life Was Like For POWs In The Far East WW2 Escape was almost impossible. Most camps were hundreds of miles from Allied-held territory. Prisoners were too under-nourished to be capable of surviving for ... COFEPOW | Children & Families of Far East Prisoners of War COFEPOW is a charity devoted to perpetuating the memory of the Far East Prisoners of War. The members are war babies of the men who died in the far east. Far East Prisoners of War | VJ Day 75 They were forced into hard labour, many shipped in dangerous conditions to work in Japan. About 30,000 died in these conditions, a death rate of over 20%, seven ... The British POWs of Hiroshima and Nagasaki, 1945 Sep 4, 2020 — A British POW eyewitness to the Nagasaki atomic blast. Inevitably, many British and Allied POWs imprisoned in camps on the outskirts of ... Far East Prisoners of War (FEPOW) | LSTM Now in its seventh decade, this unique relationship has led to world-class research into tropical medicine and the effects of captivity which continues to ... Fepow Community The Far East was captured in a dramatic attempt by Japan to seize its wealth of natural resources, the captured men, woman and children had to endure nearly ... The Far Eastern Prisoners of War - +fepow Far East prisoners of war (or FEPOW) were subjected to years of neglect, malnutrition, disease and slave labour. They were moved at the whim of their captors ... FEPOW! RAF Prisoners of Imperial Japan, 1942 - 1945 Aug 13, 2020 — The surviving Far East prisoners-of-war (FEPOWs) were liberated from their camps, and by the end of November, most of the British prisoners ... Far East Prisoners of War This history project documents in detail a tribute to the Far East Prisoners of War.