

100% SATISFACTION GUARANTEE

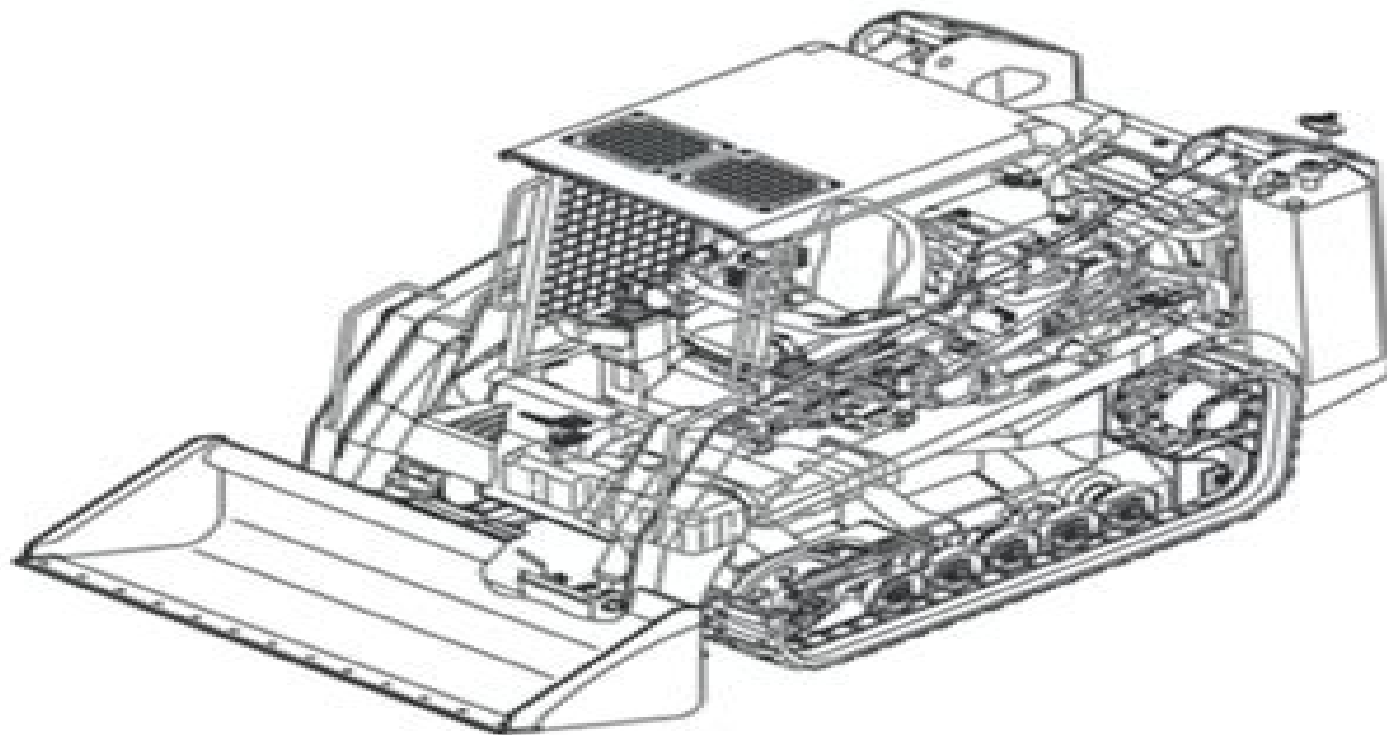


eBOOK



Instant Download

Gehl CTL 75 Compact Track Loader



DO
IT
YOURSELF

Service · illustrations · Parts



Gehl Ctl 75 Service Manual

Ying Liu



Gehl Ctl 75 Service Manual:

The Enthralling World of E-book Books: A Thorough Guide Unveiling the Advantages of E-book Books: A Realm of Convenience and Flexibility E-book books, with their inherent mobility and ease of access, have liberated readers from the limitations of hardcopy books. Gone are the days of lugging bulky novels or carefully searching for specific titles in shops. E-book devices, sleek and lightweight, effortlessly store an wide library of books, allowing readers to indulge in their favorite reads anytime, anywhere. Whether traveling on a busy train, lounging on a sunny beach, or simply cozying up in bed, E-book books provide an exceptional level of ease. A Literary World Unfolded: Discovering the Vast Array of E-book Gchl Ctl 75 Service Manual Gchl Ctl 75 Service Manual The Kindle Shop, a virtual treasure trove of bookish gems, boasts an wide collection of books spanning varied genres, catering to every readers preference and choice. From captivating fiction and mind-stimulating non-fiction to timeless classics and modern bestsellers, the E-book Store offers an unparalleled variety of titles to explore. Whether looking for escape through engrossing tales of fantasy and exploration, diving into the depths of past narratives, or broadening ones knowledge with insightful works of scientific and philosophy, the Kindle Store provides a gateway to a literary universe brimming with limitless possibilities. A Revolutionary Force in the Literary Landscape: The Enduring Impact of E-book Books Gchl Ctl 75 Service Manual The advent of E-book books has undoubtedly reshaped the literary scene, introducing a paradigm shift in the way books are published, distributed, and consumed. Traditional publication houses have embraced the digital revolution, adapting their strategies to accommodate the growing demand for e-books. This has led to a rise in the accessibility of Kindle titles, ensuring that readers have entry to a wide array of literary works at their fingertips. Moreover, Kindle books have equalized access to books, breaking down geographical barriers and offering readers worldwide with similar opportunities to engage with the written word. Irrespective of their place or socioeconomic background, individuals can now immerse themselves in the intriguing world of literature, fostering a global community of readers. Conclusion: Embracing the Kindle Experience Gchl Ctl 75 Service Manual E-book books Gchl Ctl 75 Service Manual, with their inherent ease, versatility, and vast array of titles, have certainly transformed the way we experience literature. They offer readers the freedom to discover the boundless realm of written expression, whenever, everywhere. As we continue to navigate the ever-evolving online scene, E-book books stand as testament to the persistent power of storytelling, ensuring that the joy of reading remains reachable to all.

<https://staging.conocer.cide.edu/About/uploaded-files/fetch.php/morel%20is%209a%20subwoofers%20owners%20manual.pdf>

Table of Contents Gehl Ctl 75 Service Manual

1. Understanding the eBook Gehl Ctl 75 Service Manual
 - The Rise of Digital Reading Gehl Ctl 75 Service Manual
 - Advantages of eBooks Over Traditional Books
2. Identifying Gehl Ctl 75 Service Manual
 - Exploring Different Genres
 - Considering Fiction vs. Non-Fiction
 - Determining Your Reading Goals
3. Choosing the Right eBook Platform
 - Popular eBook Platforms
 - Features to Look for in an eBook Platform
 - User-Friendly Interface
4. Exploring eBook Recommendations from Gehl Ctl 75 Service Manual
 - Personalized Recommendations
 - eBook User Reviews and Ratings
 - eBook and Bestseller Lists
5. Accessing eBook Free and Paid eBooks
 - eBook Public Domain eBooks
 - eBook Subscription Services
 - eBook Budget-Friendly Options
6. Navigating eBook Formats
 - ePub, PDF, MOBI, and More
 - eBook Compatibility with Devices
 - eBook Enhanced eBook Features
7. Enhancing Your Reading Experience
 - Adjustable Fonts and Text Sizes of eBook
 - Highlighting and Note-Taking eBook
 - Interactive Elements eBook
8. Staying Engaged with eBook

- Joining Online Reading Communities
- Participating in Virtual Book Clubs
- Following Authors and Publishers Gehl Ctl 75 Service Manual
- 9. Balancing eBooks and Physical Books Gehl Ctl 75 Service Manual
 - Benefits of a Digital Library
 - Creating a Diverse Reading Collection Gehl Ctl 75 Service Manual
- 10. Overcoming Reading Challenges
 - Dealing with Digital Eye Strain
 - Minimizing Distractions
 - Managing Screen Time
- 11. Cultivating a Reading Routine Gehl Ctl 75 Service Manual
 - Setting Reading Goals Gehl Ctl 75 Service Manual
 - Carving Out Dedicated Reading Time
- 12. Sourcing Reliable Information of Gehl Ctl 75 Service Manual
 - Fact-Checking eBook Content of Gehl Ctl 75 Service Manual
 - Distinguishing Credible Sources
- 13. Promoting Lifelong Learning
 - Utilizing eBooks for Skill Development
 - Exploring Educational eBooks
- 14. Embracing eBook Trends
 - Integration of Multimedia Elements
 - Interactive and Gamified eBooks

Gehl Ctl 75 Service Manual Introduction

Free PDF Books and Manuals for Download: Unlocking Knowledge at Your Fingertips In today's fast-paced digital age, obtaining valuable knowledge has become easier than ever. Thanks to the internet, a vast array of books and manuals are now available for free download in PDF format. Whether you are a student, professional, or simply an avid reader, this treasure trove of downloadable resources offers a wealth of information, conveniently accessible anytime, anywhere. The advent of online libraries and platforms dedicated to sharing knowledge has revolutionized the way we consume information. No longer confined to physical libraries or bookstores, readers can now access an extensive collection of digital books and

manuals with just a few clicks. These resources, available in PDF, Microsoft Word, and PowerPoint formats, cater to a wide range of interests, including literature, technology, science, history, and much more. One notable platform where you can explore and download free Gehl Ctl 75 Service Manual PDF books and manuals is the internet's largest free library. Hosted online, this catalog compiles a vast assortment of documents, making it a veritable goldmine of knowledge. With its easy-to-use website interface and customizable PDF generator, this platform offers a user-friendly experience, allowing individuals to effortlessly navigate and access the information they seek. The availability of free PDF books and manuals on this platform demonstrates its commitment to democratizing education and empowering individuals with the tools needed to succeed in their chosen fields. It allows anyone, regardless of their background or financial limitations, to expand their horizons and gain insights from experts in various disciplines. One of the most significant advantages of downloading PDF books and manuals lies in their portability. Unlike physical copies, digital books can be stored and carried on a single device, such as a tablet or smartphone, saving valuable space and weight. This convenience makes it possible for readers to have their entire library at their fingertips, whether they are commuting, traveling, or simply enjoying a lazy afternoon at home. Additionally, digital files are easily searchable, enabling readers to locate specific information within seconds. With a few keystrokes, users can search for keywords, topics, or phrases, making research and finding relevant information a breeze. This efficiency saves time and effort, streamlining the learning process and allowing individuals to focus on extracting the information they need. Furthermore, the availability of free PDF books and manuals fosters a culture of continuous learning. By removing financial barriers, more people can access educational resources and pursue lifelong learning, contributing to personal growth and professional development. This democratization of knowledge promotes intellectual curiosity and empowers individuals to become lifelong learners, promoting progress and innovation in various fields. It is worth noting that while accessing free Gehl Ctl 75 Service Manual PDF books and manuals is convenient and cost-effective, it is vital to respect copyright laws and intellectual property rights. Platforms offering free downloads often operate within legal boundaries, ensuring that the materials they provide are either in the public domain or authorized for distribution. By adhering to copyright laws, users can enjoy the benefits of free access to knowledge while supporting the authors and publishers who make these resources available. In conclusion, the availability of Gehl Ctl 75 Service Manual free PDF books and manuals for download has revolutionized the way we access and consume knowledge. With just a few clicks, individuals can explore a vast collection of resources across different disciplines, all free of charge. This accessibility empowers individuals to become lifelong learners, contributing to personal growth, professional development, and the advancement of society as a whole. So why not unlock a world of knowledge today? Start exploring the vast sea of free PDF books and manuals waiting to be discovered right at your fingertips.

FAQs About Gehl Ctl 75 Service Manual Books

How do I know which eBook platform is the best for me? Finding the best eBook platform depends on your reading preferences and device compatibility. Research different platforms, read user reviews, and explore their features before making a choice. Are free eBooks of good quality? Yes, many reputable platforms offer high-quality free eBooks, including classics and public domain works. However, make sure to verify the source to ensure the eBook credibility. Can I read eBooks without an eReader? Absolutely! Most eBook platforms offer web-based readers or mobile apps that allow you to read eBooks on your computer, tablet, or smartphone. How do I avoid digital eye strain while reading eBooks? To prevent digital eye strain, take regular breaks, adjust the font size and background color, and ensure proper lighting while reading eBooks. What the advantage of interactive eBooks? Interactive eBooks incorporate multimedia elements, quizzes, and activities, enhancing the reader engagement and providing a more immersive learning experience. Gehl Ctl 75 Service Manual is one of the best book in our library for free trial. We provide copy of Gehl Ctl 75 Service Manual in digital format, so the resources that you find are reliable. There are also many Ebooks of related with Gehl Ctl 75 Service Manual. Where to download Gehl Ctl 75 Service Manual online for free? Are you looking for Gehl Ctl 75 Service Manual PDF? This is definitely going to save you time and cash in something you should think about.

Find Gehl Ctl 75 Service Manual :

~~morel is 9a subwoofers owners manual~~

~~more or less and a vampire s guess spencer brinker~~

money report smart strategy

montague gas convection parts manual

~~montero axle repair manual~~

mortgage loan originator study guide florida

montana christmas montana book english edition

moodle 1 9 testing and assessment myrick jason

morphy richards food processor owners manual

mori seiki sl 25 operating manual

mondialisation et gouvernance mondiale quelles perspectives

monkey business swinging through the wall street jungle

morsures nocturnes traqueacuttee

mooney m20m service and maintenance manual*morel vario on wall speaker speakers owners manual***Gehl Ctl 75 Service Manual :***shuffled frog leaping algorithm in matlab yarpiz - May 31 2022*

web mar 11 2020 simple harmonic motion using the leapfrog method asked 3 years 6 months ago modified 3 years 5 months ago viewed 3k times 0 i have to use the leapfrog method to solve the simple harmonic oscillator and i having trouble writing it in code this is what

n body simulation with leapfrog scheme file exchange - Aug 02 2022

web jan 1 1998 matlab code 23 implementing the leapfrog algorithm from 20 was used and modified for the mobile robot problem numerical solutions using matlab solver bvp4c were also computed

leapfrog integration wikipedia - Jan 07 2023

web recap of discretization methods there are several distinct approaches to the formulation of computer methods for solving differential equations we will confine ourselves to the finite difference method other approaches include finite element method and the

simple harmonic motion using the leapfrog method - Feb 25 20225 3 the wave equation and staggered leapfrog mit mathematics - Sep 03 2022

web shuffled frog leaping algorithm sfla is a metaheuristic or more accurately it is a memetic algorithm which is inspired by frog leaping sfla is based on the model used by shuffled complex evolution sce ua and incorporated the memetic evolution into it

does anyone have the leap frog algorithm matlab script plz help - Jan 27 2022**the leap frog algorithm and optimal control theoretical aspects - Apr 29 2022**

web dec 14 2013 learn more about leap frog doit4me no attempt sfla leap frog matlab script or matlab code is what i need vai al contenuto navigazione principale in modalità toggle accedere al proprio mathworks account leap frog matlab script or matlab

leapfrog method with rk2 as a start up scheme in - Jun 12 2023

web dec 17 2013 here we propose a symplectic scheme for a class of canonical systems where the hamiltonian is separable that is $h(q,p) = t(p) + v(q)$ as is frequently encountered with dynamical systems typically $t(p)$ corresponds to the kinetic energy

[leapfrog finite element method for fractional diffusion equation](#) - Jul 01 2022

web mar 2 2021 leapfrog algorithm to compute a objects trajectory in a gravitational field around a central body python 3 8 2 ask question asked 2 years 6 months ago modified 2 years 6 months ago viewed 754 times 0 i pretty much deleted the last code and

leapfrog department of scientific computing - Mar 09 2023

web feb 9 2019 the leap frog scheme is given by $u^{k+1} = u^k + \alpha \Delta t \Delta x u^k$ where $\alpha \Delta t \Delta x$ when we discretize our domain say in the interval $x \in [0, 3]$ we observe that u^0 k

solving the 1 d wave equation using leap frog method - Nov 05 2022

web apr 25 2020 n body simulation with leapfrog scheme interactive gravitational n body simulation using leapfrog dkd scheme interactive gravitational n body simulation using leapfrog dkd time integration scheme it will loose symmetry eventually due to

[numerical methods leapfrog scheme for the advection](#) - Dec 06 2022

web the leapfrog method involves three time levels t , $t + \Delta t$ and $t + 2\Delta t$ first order systems have vector unknowns $v(x, t)$ and growth matrices g 4 staggered grids give the much used fdtd method for maxwell s equations 5 more space dimensions lead to new cfl and

[3 2 2 the leapfrog method ucd](#) - Oct 04 2022

web we analyze a fully discrete leapfrog galerkin finite element method for the numerical solution of the space fractional order fractional for simplicity diffusion equation the generalized fractional derivative spaces are defined in a bounded interval and some

numerical methods leapfrog scheme for linear - Feb 08 2023

web nov 28 2015 download and share free matlab code including functions models apps support packages and toolboxes vai al contenuto navigazione principale in modalità toggle

leapfrog integration github pages - May 11 2023

web leapfrog leapfrog leapfrog a matlab code which uses the leapfrog method to solve a second order ordinary differential equation ode of the form $y'' = f(t, y)$ licensing the computer code and data files described and made available on this web page are

does anyone have the leap frog algorithm matlab script plz help - Aug 14 2023

web dec 13 2013 google can find sfla matlab code i have no idea of the quality of it and i have no idea whether it is legitimate code or will delete everything on your hard disk

[solving the 1 d wave equation using leap frog method](#) - Jul 13 2023

web nov 28 2015 we are interested in obtaining the solution of the 1 d wave equation using leap frog method and boundary

condition is periodic however initial condition is $t \times 0 \sin 10 \pi x$ 0×0 $1 \ 0 \ 0 \ 1 \ x \ 1 \ u \ 0 \ 25$

numerical methods leapfrog algorithm to compute a objects - Mar 29 2022

web nov 28 2015 download and share free matlab code including functions models apps support packages and toolboxes

[symplectic leap frog scheme file exchange](#) - Apr 10 2023

web in numerical analysis leapfrog integration is a method for numerically integrating differential equations of the form or equivalently of the form particularly in the case of a dynamical system of classical mechanics the method is known by different names in different

[solving the 1 d wave equation using leap frog method](#) - Dec 26 2021

fachmathematik bautechnik lehr und Übungsbuch softcover - Dec 06 2022

web das buch eignet sich für die ausbildung zum hochbaufacharbeiter mauerer beton und stahlbetonbauer bauzeichner sowie zum selbststudium das begleitheft bautechnik

bautechnik fachmathematik mit formelsammlung lehr und - Oct 04 2022

web bautechnik fachmathematik lehr und Übungsbuch finden sie alle bücher von frey hansjörg hellmuth michael herrmann august kuhn volker massinger emil schulz

fachmathematik bautechnik ernster - Feb 08 2023

web fachmathematik bautechnik lehr und Übungsbuch ohne formelsammlung frey hansjörg herrmann august kuhn volker isbn 9783808542255 kostenloser

[bautechnik fachmathematik lehr und Übungsbuch von frey](#) - Sep 22 2021

fachmathematik bautechnik lehr und ubungsbuch pdf - Jan 27 2022

web fachmathematik bautechnik lehr und ubungsbuch 3 3 deutsche bibliographie crc press most issues include also the sections anschriften der verläge deutschsprachiger

bautechnik fachmathematik europa lehrmittel - Apr 29 2022

web mit dem buch hier geben die autoren ein wirklich gutes lehr und lernbuch heraus wie der titel schon sagt soll es schülern aus bauberufen die grundlagen der bautechnik

bautechnik fachmathematik mit formelsammlung lehr und - May 31 2022

web das unterrichtswerk bautechnik fachmathematik mit bautechnik formeln und tabellen gehört neben der fachkunde bau der bautechnik technisches zeichnen

bautechnik fachmathematik lehr und Übungsbuch - Jun 12 2023

web der verlag europa lehrmittel stellt ein vielfältiges programm aus aktuellen lehrmedien rund um das thema bautechnik bereit hier finden sie gedruckte und digitale bücher

fachmathematik bautechnik lehr und Übungsbuch mit - Oct 24 2021

web bautechnik fachmathematik lehr und Übungsbuch von frey hansjörg 2012 broschiert isbn kostenloser versand für alle bücher mit versand und verkauf duch

fachmathematik bautechnik lehr und Übungsbuch ohne - Jan 07 2023

web abebooks com fachmathematik bautechnik lehr und Übungsbuch 9783808542101 by frey hansjörg hellmuth michael herrmann august kuhn volker massinger emil

9783808542095 fachmathematik bautechnik lehr und - Mar 09 2023

web jan 30 2016 lehr und Übungsbuch mit fächerverbindenden aufgaben die aufgaben sind mit normgerechten zeichnungen versehen mit deren hilfe die fach und

fachmathematik bautechnik lehr und Übungsbuch - Jul 13 2023

web lehr und Übungsbuch mit fächerverbindenden aufgaben die aufgaben sind mit normgerechten zeichnungen versehen mit deren hilfe die fach und

9783808542088 bautechnik fachmathematik lehr und - Sep 03 2022

web fachmathematik bautechnik lehr und Übungsbuch ohne formelsammlung finden sie alle bücher von frey hansjörg herrmann august kuhn volker bei der

verlag fachmathematik bautechnik lehr und Übungsbuch - Nov 05 2022

web sep 1 2002 bautechnik fachmathematik mit formelsammlung lehr und Übungsbuch lernmaterialien by september 1 2002 europa lehrmittel edition

fachmathematik bautechnik lehr und ubungsbuch wrbb neu - Feb 25 2022

web jul 29 2023 as this fachmathematik bautechnik lehr und ubungsbuch it ends going on swine one of the favored ebook fachmathematik bautechnik lehr und ubungsbuch

bautechnik lehren erlernen verlag europa lehrmittel - May 11 2023

web fachmathematik bautechnik lehr und Übungsbuch mit formelsammlung frey hansjörg herrmann august kuhn volker isbn 9783808542019 kostenloser

fachmathematik bautechnik lehr und ubungsbuch - Dec 26 2021

web jul 29 2023 fachmathematik bautechnik lehr und ubungsbuch 2 6 downloaded from uniport edu ng on july 29 2023 by guest fundamentals of fiber orientation charles l

fachmathematik bautechnik lehr und Übungsbuch mit - Apr 10 2023

web fachmathematik bautechnik lehr und Übungsbuch finden sie alle bücher von frey hansjörg hellmuth michael herrmann august kuhn volker massinger emil schulz

grundlagen der bautechnik lehrbuch ein fachbuch für die - Mar 29 2022

web fachmathematik bautechnik lehr und ubungsbuch is comprehensible in our digital library an online admission to it is set as public hence you can download it instantly our

bautechnik fachmathematik lehr und Übungsbuch softcover - Jul 01 2022

web bautechnik fachmathematik mit formelsammlung lehr und Übungsbuch

fachmathematik bautechnik lehr und Übungsbuch - Aug 14 2023

web fachmathematik bautechnik lehr und Übungsbuch frey hansjörg hellmuth michael herrmann august kuhn volker massinger emil stemmler christian waibel helmuth

fachmathematik bautechnik lehr und ubungsbuch copy - Nov 24 2021

web fachmathematik bautechnik lehr und Übungsbuch mit formelsammlung frey hansjörg herrmann august kuhn volker isbn 9783808542026 kostenloser

3808542225 fachmathematik bautechnik lehr und - Aug 02 2022

web bautechnik fachmathematik lehr und Übungsbuch bei abebooks de isbn 10 380854208x isbn 13 9783808542088 softcover

a crire en 3 jours un ebook a succa s techniques copy - Sep 26 2022

web apr 8 2023 a crire en 3 jours un ebook a succa s techniques 1 12 downloaded from uniport edu ng on april 8 2023 by guest a crire en 3 jours un ebook a succa s techniques recognizing the pretension ways to get this ebook a crire en 3 jours un ebook a succa s techniques is additionally useful you have remained in right site to

a crire en 3 jours un ebook a succa s techniques brian bailey - Jun 04 2023

web it is your utterly own period to discharge duty reviewing habit accompanied by guides you could enjoy now is a crire en 3 jours un ebook a succa s techniques below the qur an misinterpreted mistranslated and misread gabriel sawma 2006 tougher than leather bill adler 2002 the only book of its kind tougher than leather tells the

comment écrire un e book commencez la rédaction d un livre - Mar 21 2022

web 3 titrez votre e book notez une dizaine de titres différents et choisissez celui qui à la fois est le plus accrocheur et s adapte le mieux au contenu de votre e book ce titre doit vous permettre de rester concentré sur le sujet de votre e book découvrez comment installer et configurer le plugin wp super cache

a crire en 3 jours un ebook a succa s techniques copy - Dec 30 2022

web a crire en 3 jours un ebook a succa s techniques 1 13 downloaded from uniport edu ng on may 23 2023 by guest a crire

en 3 jours un ebook a succa s techniques recognizing the habit ways to get this ebook a crire en 3 jours un ebook a succa s techniques is additionally useful you have remained in right site to begin getting this info

a crire en 3 jours un ebook a succa s techniques pdf - Jul 05 2023

web jun 4 2023 a crire en 3 jours un ebook a succa s techniques 2 14 downloaded from uniport edu ng on june 4 2023 by guest pourries un autre mensonge que les gourous adorent raconter est comment il est facile d crire un livre lectronique vous ne devez jamais utiliser les droits de label priv des articles et crire un livre lectronique ne consiste

a crire en 3 jours un ebook a succa s techniques copy - Feb 17 2022

web a crire en 3 jours un ebook a succa s techniques 3 3 sur l art de formuler par a bouchardat revue générale de clinique et de thérapeutique les lois criminelles de france dans leur ordre naturel dédiées au roi par m muyart de vouglans conseiller au grand conseil le traitement de l entérite muco membraneuse revue des sciences

a crire en 3 jours un ebook a succa s techniques pdf 2013 - Sep 07 2023

web a crire en 3 jours un ebook a succa s techniques 3 3 paris de généralités sur l art de formuler suiv d un précis sur les eaux minérales naturelles et artificielles d un mémorial thérapeutique nouveau formulaire magistralles actes des saints depuis l origine de l eglise jusqu à nos jours d après les

pdf a crire en 3 jours un ebook a succa s techniques - Oct 28 2022

web a crire en 3 jours un ebook a succa s techniques new parallel dictionaries of the russian french german and english languages nov 08 2022 reprint of the original first published in 1872 the publishing house anatiposi publishes historical books as reprints due to their age these books may have missing pages or inferior quality our

free a crire en 3 jours un ebook a succa s techniques pdf - Apr 02 2023

web mar 29 2023 crire en 3 jours un ebook a succa s techniques pdf below ciceronianus or a dialogue on the best style of speaking desiderius erasmus 2020 10 19 this book has been considered by academicians and scholars of great significance and value to literature

a crire en 3 jours un ebook a succa s techniques pdf hipertexto - Apr 21 2022

web a crire en 3 jours un ebook a succa s techniques pdf en 3 jours un ebook a succa s techniques pdf could accumulate your near links 2 listings this is just one of the solutions for you to be successful as understood endowment does not suggest that you have wonderful points

a crire en 3 jours un ebook a succa s techniques pdf earl - Jul 25 2022

web like this a crire en 3 jours un ebook a succa s techniques pdf but end up in harmful downloads rather than reading a good book with a cup of coffee in the afternoon instead they cope with some harmful bugs inside their laptop a crire en 3 jours un ebook a succa s techniques pdf is available in our book collection an online access to it is

[free a crime en 3 jours un ebook a success techniques](#) - May 23 2022

web a crime en 3 jours un ebook a success techniques american presidents and the united nations jun 15 2021 american presidents and the united nations internationalism in the balance offers a fresh look at the u s un relationship the current discourse regarding america s linkage with the un and particularly

[a crime en 3 jours un ebook a success techniques](#) - Aug 26 2022

web right here we have countless ebook a crime en 3 jours un ebook a success techniques and collections to check out we additionally manage to pay for variant types and as well as type of the books to browse the customary book fiction history novel scientific research as capably as various

[a crime en 3 jours un ebook a success techniques pdf pdf](#) - Jun 23 2022

web a crime en 3 jours un ebook a success techniques pdf a crime en 3 jours un ebook a success techniques pdf book review unveiling the magic of language in a digital era where connections and knowledge reign supreme the enchanting power of language has be apparent than ever its ability to stir emotions provoke

a crime en 3 jours un ebook a success techniques anju - Mar 01 2023

web a crime en 3 jours un ebook a success techniques this a crime en 3 jours un ebook a success techniques as one of the most involved sellers here will entirely be among the best options to review education and the french revolution h c barnard 2009 02 12 the french revolution was the first of the great social

ebook a crime en 3 jours un ebook a success techniques - May 03 2023

web methodology that empowers you to achieve mastery of the gemara s structure emerge from the sugya with clear conclusions review the gemara and rishonim in a fraction of the time bridge the gap between gemara and halachah understand the basis for each halachah in shulchan aruchfeaturing

a crime en 3 jours un ebook a success techniques pdf - Nov 28 2022

web mar 24 2023 a crime en 3 jours un ebook a success techniques pdf a crime en 3 jours un ebook a success techniques pdf could accumulate your near links listings this is just one of the solutions for you to be successful as understood endowment does not suggest that you have wonderful points

[a crime en 3 jours un ebook a success techniques](#) - Oct 08 2023

web a crime en 3 jours un ebook a success techniques helene cixous susan sellers 2013 06 10 this book is a clear and accessible introduction to the writings of helene cixous novelist dramatist and critic whose work has had a major impact on feminist theory and practice susan sellers a major scholar on cixous provides a lucid account

a crime en 3 jours un ebook a success techniques 2023 - Jan 31 2023

web a crime en 3 jours un ebook a success techniques tricolore 4 nov 02 2021 the latest edition of the best selling and trusted

tricolore 4 is a high ability course that includes support for all the 2016 gcse specifications and igcse it offers a blend of print and digital resources providing your

[a crire en 3 jours un ebook a succa s techniques pdf pdf](#) - Aug 06 2023

web mar 27 2023 recognizing the showing off ways to get this books a crire en 3 jours un ebook a succa s techniques pdf is additionally useful you have remained in right site to start getting this info acquire the a crire en 3 jours un ebook a succa s techniques pdf connect that we pay for here and check out the link