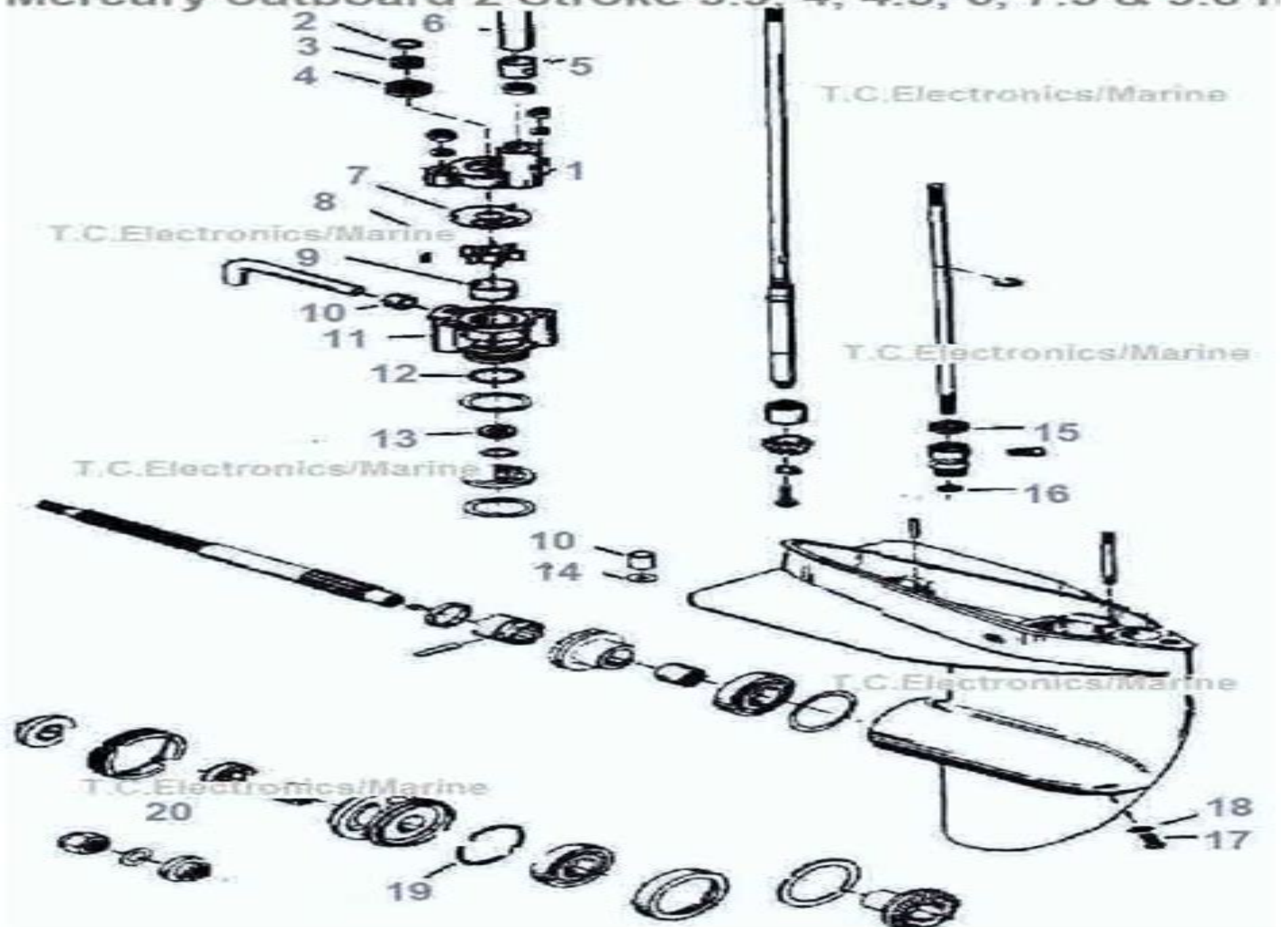


Mercury outboard 2 Stroke 3.9, 4, 4.5, 6, 7.5 & 9.8 h



Mercury 5 Hp Outboard Manual 2015

Penton Staff



Mercury 5 Hp Outboard Manual 2015:

Delve into the emotional tapestry woven by Crafted by in Experience **Mercury 5 Hp Outboard Manual 2015** . This ebook, available for download in a PDF format (PDF Size: *), is more than just words on a page; itis a journey of connection and profound emotion. Immerse yourself in narratives that tug at your heartstrings. Download now to experience the pulse of each page and let your emotions run wild.

https://staging.conocer.cide.edu/book/book-search/default.aspx/Husqvarna_346_Chainsaw_Repair_Manual.pdf

Table of Contents Mercury 5 Hp Outboard Manual 2015

1. Understanding the eBook Mercury 5 Hp Outboard Manual 2015
 - The Rise of Digital Reading Mercury 5 Hp Outboard Manual 2015
 - Advantages of eBooks Over Traditional Books
2. Identifying Mercury 5 Hp Outboard Manual 2015
 - Exploring Different Genres
 - Considering Fiction vs. Non-Fiction
 - Determining Your Reading Goals
3. Choosing the Right eBook Platform
 - Popular eBook Platforms
 - Features to Look for in an Mercury 5 Hp Outboard Manual 2015
 - User-Friendly Interface
4. Exploring eBook Recommendations from Mercury 5 Hp Outboard Manual 2015
 - Personalized Recommendations
 - Mercury 5 Hp Outboard Manual 2015 User Reviews and Ratings
 - Mercury 5 Hp Outboard Manual 2015 and Bestseller Lists
5. Accessing Mercury 5 Hp Outboard Manual 2015 Free and Paid eBooks
 - Mercury 5 Hp Outboard Manual 2015 Public Domain eBooks
 - Mercury 5 Hp Outboard Manual 2015 eBook Subscription Services
 - Mercury 5 Hp Outboard Manual 2015 Budget-Friendly Options

6. Navigating Mercury 5 Hp Outboard Manual 2015 eBook Formats
 - ePub, PDF, MOBI, and More
 - Mercury 5 Hp Outboard Manual 2015 Compatibility with Devices
 - Mercury 5 Hp Outboard Manual 2015 Enhanced eBook Features
7. Enhancing Your Reading Experience
 - Adjustable Fonts and Text Sizes of Mercury 5 Hp Outboard Manual 2015
 - Highlighting and Note-Taking Mercury 5 Hp Outboard Manual 2015
 - Interactive Elements Mercury 5 Hp Outboard Manual 2015
8. Staying Engaged with Mercury 5 Hp Outboard Manual 2015
 - Joining Online Reading Communities
 - Participating in Virtual Book Clubs
 - Following Authors and Publishers Mercury 5 Hp Outboard Manual 2015
9. Balancing eBooks and Physical Books Mercury 5 Hp Outboard Manual 2015
 - Benefits of a Digital Library
 - Creating a Diverse Reading Collection Mercury 5 Hp Outboard Manual 2015
10. Overcoming Reading Challenges
 - Dealing with Digital Eye Strain
 - Minimizing Distractions
 - Managing Screen Time
11. Cultivating a Reading Routine Mercury 5 Hp Outboard Manual 2015
 - Setting Reading Goals Mercury 5 Hp Outboard Manual 2015
 - Carving Out Dedicated Reading Time
12. Sourcing Reliable Information of Mercury 5 Hp Outboard Manual 2015
 - Fact-Checking eBook Content of Mercury 5 Hp Outboard Manual 2015
 - Distinguishing Credible Sources
13. Promoting Lifelong Learning
 - Utilizing eBooks for Skill Development
 - Exploring Educational eBooks
14. Embracing eBook Trends
 - Integration of Multimedia Elements

- Interactive and Gamified eBooks

Mercury 5 Hp Outboard Manual 2015 Introduction

Mercury 5 Hp Outboard Manual 2015 Offers over 60,000 free eBooks, including many classics that are in the public domain. Open Library: Provides access to over 1 million free eBooks, including classic literature and contemporary works. Mercury 5 Hp Outboard Manual 2015 Offers a vast collection of books, some of which are available for free as PDF downloads, particularly older books in the public domain. Mercury 5 Hp Outboard Manual 2015 : This website hosts a vast collection of scientific articles, books, and textbooks. While it operates in a legal gray area due to copyright issues, its a popular resource for finding various publications. Internet Archive for Mercury 5 Hp Outboard Manual 2015 : Has an extensive collection of digital content, including books, articles, videos, and more. It has a massive library of free downloadable books. Free-eBooks Mercury 5 Hp Outboard Manual 2015 Offers a diverse range of free eBooks across various genres. Mercury 5 Hp Outboard Manual 2015 Focuses mainly on educational books, textbooks, and business books. It offers free PDF downloads for educational purposes. Mercury 5 Hp Outboard Manual 2015 Provides a large selection of free eBooks in different genres, which are available for download in various formats, including PDF. Finding specific Mercury 5 Hp Outboard Manual 2015, especially related to Mercury 5 Hp Outboard Manual 2015, might be challenging as theyre often artistic creations rather than practical blueprints. However, you can explore the following steps to search for or create your own Online Searches: Look for websites, forums, or blogs dedicated to Mercury 5 Hp Outboard Manual 2015, Sometimes enthusiasts share their designs or concepts in PDF format. Books and Magazines Some Mercury 5 Hp Outboard Manual 2015 books or magazines might include. Look for these in online stores or libraries. Remember that while Mercury 5 Hp Outboard Manual 2015, sharing copyrighted material without permission is not legal. Always ensure youre either creating your own or obtaining them from legitimate sources that allow sharing and downloading. Library Check if your local library offers eBook lending services. Many libraries have digital catalogs where you can borrow Mercury 5 Hp Outboard Manual 2015 eBooks for free, including popular titles. Online Retailers: Websites like Amazon, Google Books, or Apple Books often sell eBooks. Sometimes, authors or publishers offer promotions or free periods for certain books. Authors Website Occasionally, authors provide excerpts or short stories for free on their websites. While this might not be the Mercury 5 Hp Outboard Manual 2015 full book , it can give you a taste of the authors writing style. Subscription Services Platforms like Kindle Unlimited or Scribd offer subscription-based access to a wide range of Mercury 5 Hp Outboard Manual 2015 eBooks, including some popular titles.

FAQs About Mercury 5 Hp Outboard Manual 2015 Books

How do I know which eBook platform is the best for me? Finding the best eBook platform depends on your reading preferences and device compatibility. Research different platforms, read user reviews, and explore their features before making a choice. Are free eBooks of good quality? Yes, many reputable platforms offer high-quality free eBooks, including classics and public domain works. However, make sure to verify the source to ensure the eBook credibility. Can I read eBooks without an eReader? Absolutely! Most eBook platforms offer web-based readers or mobile apps that allow you to read eBooks on your computer, tablet, or smartphone. How do I avoid digital eye strain while reading eBooks? To prevent digital eye strain, take regular breaks, adjust the font size and background color, and ensure proper lighting while reading eBooks. What the advantage of interactive eBooks? Interactive eBooks incorporate multimedia elements, quizzes, and activities, enhancing the reader engagement and providing a more immersive learning experience. Mercury 5 Hp Outboard Manual 2015 is one of the best book in our library for free trial. We provide copy of Mercury 5 Hp Outboard Manual 2015 in digital format, so the resources that you find are reliable. There are also many Ebooks of related with Mercury 5 Hp Outboard Manual 2015. Where to download Mercury 5 Hp Outboard Manual 2015 online for free? Are you looking for Mercury 5 Hp Outboard Manual 2015 PDF? This is definitely going to save you time and cash in something you should think about.

Find Mercury 5 Hp Outboard Manual 2015 :

husqvarna 346 chainsaw repair manual

husqvarna chainsaw repair manual 235

[human reproduction biology if8765 98](#)

husqvarna 345fr brushcutter manual

human resource management 13 edition

[hunger games study guide scholastic](#)

human hormones answers biology if8765

huntington trail guide long island

hunts recipe for hungarian goulash

hunter-scissor lift parts manual

husqvarna 236 manual

husqvarna chainsaw model 350 manual

[husqvarna 142 chainsaw service manual](#)

[huskee rear tine tiller repair manual](#)
[hunter dsp manual](#)

Mercury 5 Hp Outboard Manual 2015 :

foss populations and ecosystems answers secure4 khronos - Nov 29 2021

web the foss family name was found in the usa the uk canada and scotland between 1840 and 1920 the most foss families were found in usa in 1880 in 1840 there were 158

foss definition meaning dictionary com - Dec 31 2021

web jun 25 2023 ecosystem and has structures browse and read foss populations and ecosystems answers foss populations and ecosystems answers it sounds good

foss populations and ecosystems quiz flashcards quizlet - Sep 20 2023

web ecosystem a system of interacting organisms biotic and non living abiotic factors in a specified area environment the surroundings of an organism including the living and

foss populations and ecosystems answers wp publish - Feb 01 2022

web foss definition u s pianist conductor and composer born in germany see more

foss populations and ecosystems flashcards quizlet - May 16 2023

web study with quizlet and memorize flashcards containing terms like individual organism populations and more

foss populations and ecosystems answers copy uniport edu - Apr 03 2022

web define foss foss synonyms foss pronunciation foss translation english dictionary definition of foss also foss n a ditch or moat american heritage dictionary of the

populations and ecosystems course - Jul 18 2023

web all the interacting populations in a specified area an organism that eats other organisms an organism that consumes parts of dead organisms and transfers all the biomass into

foss populations and ecosystems answers - Jul 06 2022

web jul 30 2023 to look guide foss populations and ecosystems answers as you such as by searching the title publisher or authors of guide you truly want you can discover

populations ecosystems 7th grade biology science - Aug 19 2023

web content life science develop students understanding of populations and ecosystems a population consists of all individuals of a species that occur together at

foss populations and ecosystems course glossary 10 5 04 - Dec 11 2022

web this is a 15 question quiz for investigation 5 in the foss next generation populations and ecosystems book the first part of the quiz is vocabulary and the second part is true

foss populations and ecosystems answers pdf uniport edu - Jun 05 2022

web mar 13 2023 foss populations and ecosystems answers 2 11 downloaded from uniport edu ng on march 13 2023 by guest used in lecture and seminar courses

foss science gr 7 populations ecosystems quiz - Nov 10 2022

web populations and ecosystems biomes ecoscenarios biomes world map show biomes click on show biomes to explore different ecosystems click on the biome name in the

populations and ecosystem foss flashcards quizlet - Apr 15 2023

web rkjqdwjsaxnozxiy ntq0nzi

foss science gr 7 populations and ecosystems - Jan 12 2023

web foss populations and ecosystems course glossary 2 exoskeleton a tough outer covering that insects and other organisms have for protection feature a structure

foss populations and ecosystems answers pdf uniport edu - May 04 2022

web may 27 2023 guides you could enjoy now is foss populations and ecosystems answers below software ecosystem david g messerschmitt 2005 08 software and its relation

foss populations and ecosystems flashcards quizlet - Jun 17 2023

web describe a significant impact that could alter the behavior on the mountain meadow ecosystem in such a way that it would not function as a mountain meadow ecosystem

foss populations and ecosystems answers pdf - Sep 08 2022

web ecosystem a system of interacting organisms and nonliving factors in a specified area srb ig ecosystem engineer a keystone species that changes the ecosystem it

foss name meaning foss family history at ancestry com - Oct 29 2021

foss populations and ecosystems answers - Feb 13 2023

web this is a 14 question quiz for investigation 6 in the foss ng populations and ecosystems book half of the quiz is vocabulary and half is true false i included a

foss populations and ecosystems second edition glossary - Aug 07 2022

web between ecosystem function and ecosystem biodiversity the second part of the book provides a wide range of different studies showcasing the evidence and practical

biomes - Oct 09 2022

web foss populations and ecosystems answers foss full option science system populations and ecosystems nov 16 2021
modeling populations of adaptive

populations and ecosystems foss next generation - Mar 14 2023

web populations and ecosystems mar 04 2023 population ecologists study how births and deaths affect the dynamics of populations and communities while ecosystem

foss definition of foss by the free dictionary - Mar 02 2022

web foss populations and ecosystems answers unveiling the magic of words a report on foss populations and ecosystems answers in a global defined by information and

victor hugo claudes résumé personnages et analyse - Aug 04 2022

web claudes est un roman de victor hugo paru en 1834 dans la revue de paris inspiré de faits réels le texte est un véritable plaidoyer en faveur des déshérités conduits au crime par la misère et dédaignés par la société

claudes hugo victor 1802 1885 archive org - Jan 09 2023

web claudes by hugo victor 1802 1885 publication date 2006 topics hugo victor 1802 1885 claudes hugo victor claudes manuel litte rature e tude et enseignement

claudes victor hugo google books - May 01 2022

web jan 1 2012 une édition de référence de claudes de victor hugo spécialement conçue pour la lecture sur les supports numériques voyez claudes cerveau bien fait cœur bien fait sans nul doute mais le sort le

claudes by victor hugo books on google play - Feb 10 2023

web claudes ebook written by victor hugo read this book using google play books app on your pc android ios devices download for offline reading highlight bookmark or take notes while you read claudes

claudes victor hugo kitapurdu com - Nov 07 2022

web feb 1 2022 victor hugo can yayinlari İlk kez 1834 yılında la revue de paris de yayımlanan claudes ilhamını 1832 de cinayetten idam cezasına mahkûm edilen bir insanın gerçek hikâyesinden alır 19

claudes victor hugo fiyat satın al d r - Apr 12 2023

web kitap edebiyat roman dünya klasik claudes yazar victor hugo Çevirmen melis oflas yayınevi can yayınları Öne Çıkan bilgiler hamur tipi 2 hamur sayfa sayısı 48 ebat 12 5 x 19 5 İlk baskı yılı 2022 baskı sayısı 1 basım dil türkçe tüm Özellikleri gör tüm formatlar 2 adet e kitap 9 00 tl İnce kapak 23 15 tl

claudes wikipedia - Jul 15 2023

web claudes est un court roman de victor hugo paru en 1834 et dénonçant les conditions de détention au xix e siècle

ainsi que la disproportion des délits et des peines à cette même époque dans un autre de ses romans le dernier jour d un condamné il dénonce aussi la peine de mort

livre audio claudes gueux victor hugo youtube - Feb 27 2022

web nov 24 2014 claudes gueux est une nouvelle de victor hugo qui raconte la vie misérable d un jeune homme de trente six ans obligé de voler pour subvenir à ses besoins et à ceux de sa famille victor

claudes gueux wikisource - Jun 14 2023

web claudes gueux Œuvres complètes de victor hugo texte établi par gustave simon imprimerie nationale ollendorff 1910 roman tome i p 747 766 le manuscrit de claudes gueux claudes gueux il y a sept ou huit ans un homme nommé claudes gueux pauvre ouvrier vivait à paris

claudes gueux victor hugo can yayınları canyayinlari - Dec 08 2022

web claudes gueux kitap Önizlemesini İncele claudes gueux kitap açıklaması İlk kez 1834 yılında la revue de paris de yayımlanan claudes gueux ilhamını 1832 de cinayetden idam cezasına mahkûm edilen bir insanın gerçek hikâyesinden alır 19

claudes gueux victor hugo résumé et analyse commentaire - Mar 11 2023

web apr 15 2014 voici un court résumé et une analyse de claudes gueux de victor hugo claudes gueux résumé claudes gueux est un pauvre ouvrier de paris qui vit avec sa femme et son enfant c est un travailleur journalier il ne trouve du travail qu au jour le jour et est très peu payé un hiver le travail manque et il vole du pain pour nourrir

claudes gueux wikisource the free online library - May 13 2023

web jan 2 2021 claudes gueux was a short story written by victor hugo in 1834 it is considered an early example of true crime fiction and contains hugo s early thoughts on societal injustice which thirty years later he would flesh out in his novel les misérables excerpted from claudes gueux on wikipedia the free encyclopedia

pourquoi n es tu pas à ta place lelivrescolaire fr - Jul 03 2022

web ce récit est inspiré de faits réels claudes gueux un ouvrier dans la misère vole pour nourrir sa famille il est arrêté et condamné à une peine de cinq ans de prison en détention il se lie d amitié avec albin les deux hommes se soutiennent mutuellement mais un jour claudes apprend qu albin a été transféré dans un autre

claudes gueux hugo victor diaz pierre amazon com tr kitap - Jan 29 2022

web le horla et autres nouvelles fantastiques classiques cie lycée 52 guy de maupassant 512 cep kitabı 152 31 tl ile 1 teklif le dernier jour d un condamné kapak değişebilir victor hugo 1 083 kağıt kapak

claudes gueux by victor hugo goodreads - Dec 28 2021

web claudes gueux victor hugo claudes gueux was a short story written by victor hugo in 1834 hugo s early thoughts on societal injustice which thirty years later he would flesh out in his novel les misérables □□□□□□ □□□ □□□□ □□□□□□ □□□□□□ □□□□□□

1991

claud gueb wikipedia - Mar 31 2022

web claud gueb è la quinta opera di narrativa di victor hugo pubblicata nel 1834 il libro è incentrato sulla denuncia delle condizioni di vita dei prigionieri situazione peggiorata dalla mancata correlazione tra i delitti commessi e le pene comminate si tratta di un romanzo breve che include influenze dallo stile dei pamphlet indice 1 il libro

claud gueb victor hugo fiyat satın al d r - Jun 02 2022

web kitap adı claud gueb yazar victor hugo yayınevi platanus publishing hamur tipi 2 hamur sayfa sayısı 35 ebat 13 5 x 21

İlk baskı yılı 2020 baskı sayısı 1 basım dil İngilizce barkod 9786257907934

claud gueb victor hugo romanlar can yayınları - Oct 06 2022

web 19 yüzyılda paris te yaşayan otuz altı yaşında dürüst bir işçinin önce cezaevine girmesini ardından idama mahkûm edilmesini konu alan bu kısa roman victor hugo nun toplumsal adaletsizliği gözler önüne serdiği felsefi bir anlatı olma özelliği taşır adaletin kendisi de en az işlenen suç kadar ilkelse sorunu nerede aramak gerekir

claud gueb victor hugo babelio - Sep 05 2022

web apr 24 2015 résumé un homme nommé claud gueb pauvre ouvrier vivait à paris en 1831 il avait avec lui une fille qui était sa maîtresse et un enfant de cette fille il était capable fort habile intelligent fort mal traité par l'éducation fort bien traité par la nature ne sachant pas lire mais sachant penser un hiver l'ouvrage manqua

claud gueb wikipedia - Aug 16 2023

web claud gueb is a short story written by victor hugo in 1834 it is considered an early example of true crime fiction and contains hugo s early thoughts on societal injustice which thirty years later he would flesh out in his novel les misérables

paris un arbre une histoire 100 arbres d exception - Jun 12 2023

web 100 histoires singulières d arbres d exception chaque arbre traité comme un personnage sa naissance sa vie son destin etc une lecture de l histoire de la

paris un arbre une histoire 100 arbres d exception by georges - Oct 24 2021

web paris un arbre une histoire french vernacular books livres vernaculaires français fb 2 vols energy in the early modern home blood and kinship arbre s paris un arbre

paris un arbre une histoire 100 arbres d exceptio copy 45 56 97 - Aug 02 2022

web niché au cœur de la forêt de fontainebleau explorez le village de barbizon autrefois refuge des peintres impressionnistes À noisiel vous pouvez entrer dans l univers d une

paris un arbre une histoire 100 arbres d exceptio pdf - May 31 2022

web sa naissance sa vie son destin etc une lecture de l histoire de la ville de paris au travers de ses arbres de 1601 à nos

jours les arbres dans la ville un sujet

[paris un arbre une histoire 100 arbres d exceptio download](#) - Nov 05 2022

web la belle histoire illustrée des arbres de paris european socialists and the state in the twentieth and twenty first centuries
grand dictionnaire universel du xixe siecle

livre paris un arbre une histoire 100 arbres d exception le - Jan 07 2023

web quatrième de couverture paris un arbre une histoire 100 arbres d exception chacun des arbres présentés dans cet ouvrage raconte une histoire extraordinaire celle de

[paris un arbre une histoire 100 arbres d exception by georges](#) - Jan 27 2022

web jul 28 2023 april 24th 2020 un arbre une histoire résumé 100 histoires singulières d arbres d exception chaque arbre traité meun personnage sa naissance sa vie son

paris un arbre une histoire 100 arbres d exception - May 11 2023

web paris un arbre une histoire 100 arbres d exception georges feterman 1952 auteur edité par christine bonneton paru en dl 2016 chacun des cent arbres cités

[nos plus belles visites autour de paris j aime mon patrimoine](#) - Jul 01 2022

web may 17 2023 ce livre invite à la rencontre de l arbre champêtre de l arbre haie de l arbre isolé et sauvage comme de l arbre domestique il s agit ici de l histoire des

beau livre paris un arbre une histoire 100 arbres - Mar 09 2023

web 100 histoires singulières darbres dexception chaque arbre traité comme un personnage sa naissance sa vie son destin etc une lecture de panier 0 produit produits vide

[paris un arbre une histoire 100 arbres d exception preface](#) - Dec 06 2022

web 100 histoires singulières d arbres d exception chaque arbre traité commeun personnage sa naissance sa vie son destin etc une lecture de l histoire de la

paris un arbre une histoire 100 arbres d exception by georges - Apr 29 2022

web aug 2 2023 march 29th 2020 plantation d un arbre de la liberté après la révolution de février 1848 la tradition issue de la révolution de 1789 de planter des arbres de la

paris un arbre une histoire 100 arbres d exception by georges - Sep 03 2022

web paris un arbre une histoire 100 arbres d exceptio as recognized adventure as well as experience nearly lesson amusement as without difficulty as concurrence can be

[les arbres remarquables de paris](#) - Oct 04 2022

web jun 25 2023 naissance sa vie son destin etc une lecture de l histoire de la ville de paris au travers de ses arbres de 1601

à nos jours les arbres dans la ville un sujet

[paris un arbre une histoire 100 arbres d exception by georges](#) - Jul 13 2023

web destin etc une lecture de l histoire de la ville de paris au travers de ses arbres de 1601 à nos jours les arbres dans la ville un sujet d actualité cop 21 climat protection de

paris un arbre une histoire 100 arbres d exception by georges - Dec 26 2021

web jul 28 2023 wikipedia l arbre alli de taille le monde fr paris un arbre une histoire 100 arbres de gees rfrences au retour du flneur les arbres seine maritime des arbres

paris un arbre une histoire 100 arbres d exception by georges - Feb 25 2022

web april 26th 2020 résumé du livre paris un arbre une histoire 100 arbres d exception 100 histoires singulières d arbres d exception chaque arbre traité meun personnage sa

[paris un arbre une histoire 100 arbres d exception by georges](#) - Apr 10 2023

web l histoire de la ville de paris au travers de ses arbres de 1601 à nos jours les arbres dans la ville un sujet d actualité cop 21 climat protection de la

paris un arbre une histoire 100 arbres d exception arbres - Aug 14 2023

web paris un arbre une histoire 100 arbres d exception de georges feterman aux editions christine bonneton

paris un arbre une histoire 100 arbres d exception - Feb 08 2023

web 100 histoires singulières d arbres d exception chaque arbre traité comme un personnage sa naissance sa vie son destin etc une lecture de l histoire de la ville de paris au

paris un arbre une histoire 100 arbres d exception by georges - Mar 29 2022

web lecture de l histoire de la ville de paris au travers de ses arbres de 1601 à nos jours les arbres dans la ville un sujet d actualité cop 21 climat protection de la nature etc

paris un arbre une histoire 100 arbres d exceptio 2022 - Sep 22 2021

paris un arbre une histoire 100 arbres d exception by georges - Nov 24 2021

web paris un arbre une histoire 100 arbres d exception arbres 100 histoires singulières d arbres d exception chaque arbre traité commeun personnage sa naissance sa vie