

GENERAL DISMOUNTING

To carry out all the recommended settings in this service manual the following parts should be dismantled first.

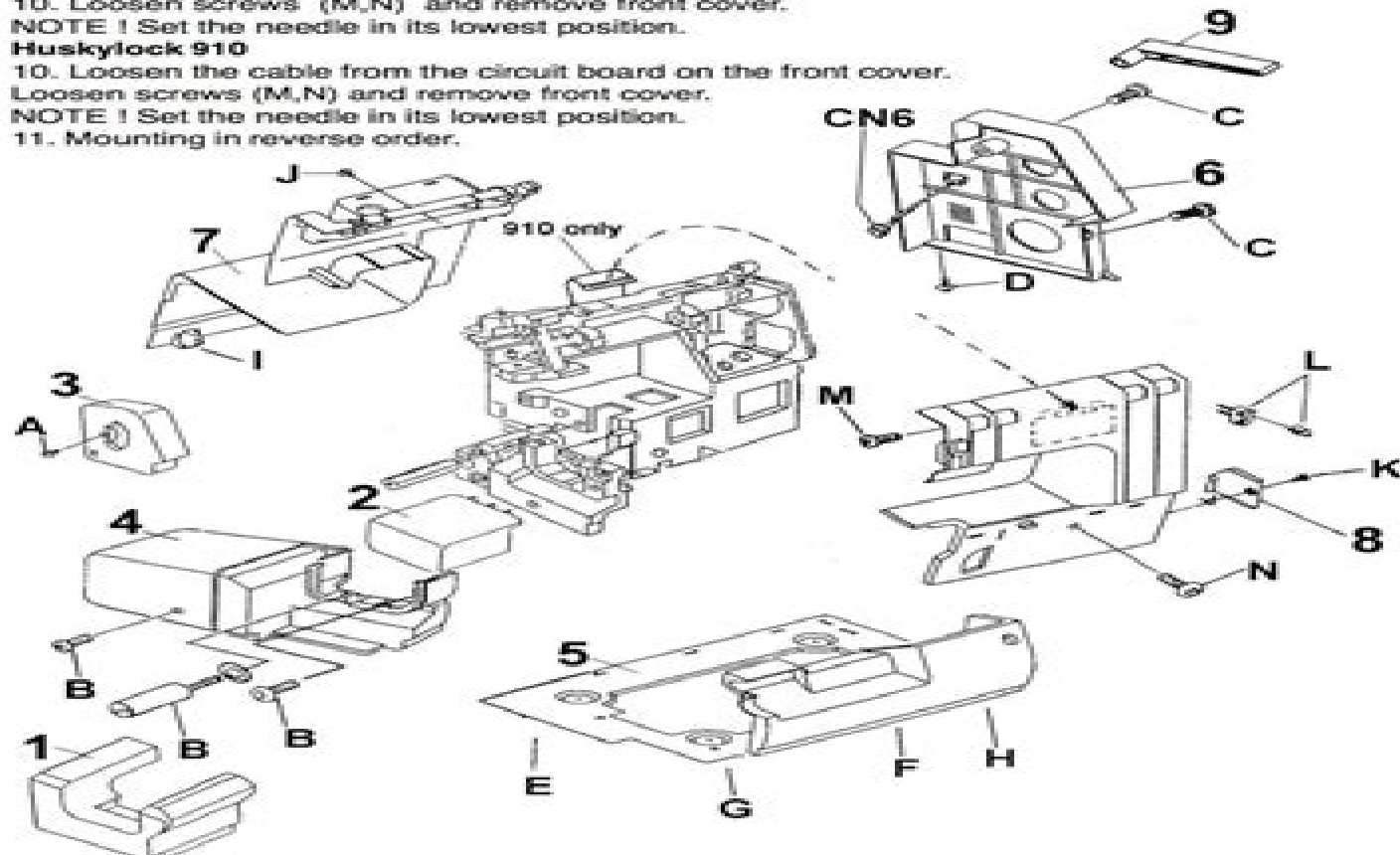
1. Remove support bed (1) and free arm (2).
2. Remove upper side cover (3) by loosen the screw (A) .
3. Remove lower side cover (4) by loosen the three screws (B) .
4. Loosen screws (D, E,F,G,H and I) then open left front cover, and remove base plate (5) towards left side.
5. Remove presser foot lifter (9).
6. Loosen the two screws (C) and loosen the motor cover (6).
7. Remove rear cover (7) by loosen screw (J) .
8. Disconnect the contact CN6 from the circuit board and remove the motor cover (6).
9. Loosen the screw (K), remove the micro switch cover(8) and disconnect micro switch contact(L) from the front cover.

Huskylock 905

10. Loosen screws (M,N) and remove front cover.
- NOTE !** Set the needle in its lowest position.

Huskylock 910

10. Loosen the cable from the circuit board on the front cover.
Loosen screws (M,N) and remove front cover.
- NOTE !** Set the needle in its lowest position.
11. Mounting in reverse order.



Husqvarna 905 Repair Manual

Michael Hoelscher



Husqvarna 905 Repair Manual:

Getting the books **Husqvarna 905 Repair Manual** now is not type of inspiring means. You could not solitary going taking into consideration ebook addition or library or borrowing from your friends to contact them. This is an definitely simple means to specifically acquire guide by on-line. This online message Husqvarna 905 Repair Manual can be one of the options to accompany you bearing in mind having other time.

It will not waste your time. acknowledge me, the e-book will definitely heavens you additional business to read. Just invest tiny grow old to approach this on-line broadcast **Husqvarna 905 Repair Manual** as with ease as evaluation them wherever you are now.

https://staging.conocer.cide.edu/About/browse/HomePages/Hitachi_Zaxis_80_Owners_Manual.pdf

Table of Contents Husqvarna 905 Repair Manual

1. Understanding the eBook Husqvarna 905 Repair Manual
 - The Rise of Digital Reading Husqvarna 905 Repair Manual
 - Advantages of eBooks Over Traditional Books
2. Identifying Husqvarna 905 Repair Manual
 - Exploring Different Genres
 - Considering Fiction vs. Non-Fiction
 - Determining Your Reading Goals
3. Choosing the Right eBook Platform
 - Popular eBook Platforms
 - Features to Look for in an Husqvarna 905 Repair Manual
 - User-Friendly Interface
4. Exploring eBook Recommendations from Husqvarna 905 Repair Manual
 - Personalized Recommendations
 - Husqvarna 905 Repair Manual User Reviews and Ratings
 - Husqvarna 905 Repair Manual and Bestseller Lists

5. Accessing Husqvarna 905 Repair Manual Free and Paid eBooks
 - Husqvarna 905 Repair Manual Public Domain eBooks
 - Husqvarna 905 Repair Manual eBook Subscription Services
 - Husqvarna 905 Repair Manual Budget-Friendly Options
6. Navigating Husqvarna 905 Repair Manual eBook Formats
 - ePub, PDF, MOBI, and More
 - Husqvarna 905 Repair Manual Compatibility with Devices
 - Husqvarna 905 Repair Manual Enhanced eBook Features
7. Enhancing Your Reading Experience
 - Adjustable Fonts and Text Sizes of Husqvarna 905 Repair Manual
 - Highlighting and Note-Taking Husqvarna 905 Repair Manual
 - Interactive Elements Husqvarna 905 Repair Manual
8. Staying Engaged with Husqvarna 905 Repair Manual
 - Joining Online Reading Communities
 - Participating in Virtual Book Clubs
 - Following Authors and Publishers Husqvarna 905 Repair Manual
9. Balancing eBooks and Physical Books Husqvarna 905 Repair Manual
 - Benefits of a Digital Library
 - Creating a Diverse Reading Collection Husqvarna 905 Repair Manual
10. Overcoming Reading Challenges
 - Dealing with Digital Eye Strain
 - Minimizing Distractions
 - Managing Screen Time
11. Cultivating a Reading Routine Husqvarna 905 Repair Manual
 - Setting Reading Goals Husqvarna 905 Repair Manual
 - Carving Out Dedicated Reading Time
12. Sourcing Reliable Information of Husqvarna 905 Repair Manual
 - Fact-Checking eBook Content of Husqvarna 905 Repair Manual
 - Distinguishing Credible Sources
13. Promoting Lifelong Learning

- Utilizing eBooks for Skill Development
 - Exploring Educational eBooks
14. Embracing eBook Trends
- Integration of Multimedia Elements
 - Interactive and Gamified eBooks

Husqvarna 905 Repair Manual Introduction

In the digital age, access to information has become easier than ever before. The ability to download Husqvarna 905 Repair Manual has revolutionized the way we consume written content. Whether you are a student looking for course material, an avid reader searching for your next favorite book, or a professional seeking research papers, the option to download Husqvarna 905 Repair Manual has opened up a world of possibilities. Downloading Husqvarna 905 Repair Manual provides numerous advantages over physical copies of books and documents. Firstly, it is incredibly convenient. Gone are the days of carrying around heavy textbooks or bulky folders filled with papers. With the click of a button, you can gain immediate access to valuable resources on any device. This convenience allows for efficient studying, researching, and reading on the go. Moreover, the cost-effective nature of downloading Husqvarna 905 Repair Manual has democratized knowledge. Traditional books and academic journals can be expensive, making it difficult for individuals with limited financial resources to access information. By offering free PDF downloads, publishers and authors are enabling a wider audience to benefit from their work. This inclusivity promotes equal opportunities for learning and personal growth. There are numerous websites and platforms where individuals can download Husqvarna 905 Repair Manual. These websites range from academic databases offering research papers and journals to online libraries with an expansive collection of books from various genres. Many authors and publishers also upload their work to specific websites, granting readers access to their content without any charge. These platforms not only provide access to existing literature but also serve as an excellent platform for undiscovered authors to share their work with the world. However, it is essential to be cautious while downloading Husqvarna 905 Repair Manual. Some websites may offer pirated or illegally obtained copies of copyrighted material. Engaging in such activities not only violates copyright laws but also undermines the efforts of authors, publishers, and researchers. To ensure ethical downloading, it is advisable to utilize reputable websites that prioritize the legal distribution of content. When downloading Husqvarna 905 Repair Manual, users should also consider the potential security risks associated with online platforms. Malicious actors may exploit vulnerabilities in unprotected websites to distribute malware or steal personal information. To protect themselves, individuals should ensure their devices have reliable antivirus software installed and validate the legitimacy of the websites they are downloading from. In conclusion, the ability to download

Husqvarna 905 Repair Manual has transformed the way we access information. With the convenience, cost-effectiveness, and accessibility it offers, free PDF downloads have become a popular choice for students, researchers, and book lovers worldwide. However, it is crucial to engage in ethical downloading practices and prioritize personal security when utilizing online platforms. By doing so, individuals can make the most of the vast array of free PDF resources available and embark on a journey of continuous learning and intellectual growth.

FAQs About Husqvarna 905 Repair Manual Books

How do I know which eBook platform is the best for me? Finding the best eBook platform depends on your reading preferences and device compatibility. Research different platforms, read user reviews, and explore their features before making a choice. Are free eBooks of good quality? Yes, many reputable platforms offer high-quality free eBooks, including classics and public domain works. However, make sure to verify the source to ensure the eBook credibility. Can I read eBooks without an eReader? Absolutely! Most eBook platforms offer web-based readers or mobile apps that allow you to read eBooks on your computer, tablet, or smartphone. How do I avoid digital eye strain while reading eBooks? To prevent digital eye strain, take regular breaks, adjust the font size and background color, and ensure proper lighting while reading eBooks. What the advantage of interactive eBooks? Interactive eBooks incorporate multimedia elements, quizzes, and activities, enhancing the reader engagement and providing a more immersive learning experience. Husqvarna 905 Repair Manual is one of the best book in our library for free trial. We provide copy of Husqvarna 905 Repair Manual in digital format, so the resources that you find are reliable. There are also many Ebooks of related with Husqvarna 905 Repair Manual. Where to download Husqvarna 905 Repair Manual online for free? Are you looking for Husqvarna 905 Repair Manual PDF? This is definitely going to save you time and cash in something you should think about.

Find Husqvarna 905 Repair Manual :

[hitachi zaxis 80 owners manual](#)

[hiv and aids abma 2014 results](#)

[*hockey goalkeeper training guide*](#)

[hitachi hdr5t01 manual](#)

[hittite warrior study guide](#)

[hitachi x200 manual espanol](#)

[hitachi vt mx231a vcrs owners manual](#)

[hk al pure math past paper](#)

[hitachi ex135ur manual](#)

[hobart hl 600 service manual](#)

[hitachi lx200 wheel loader parts catalog manual](#)

hk solarne systemy

[hitachi deskstar 5 storage owners manual](#)

hitachi hcx manual

[hockenbury psychology 6th edition](#)

Husqvarna 905 Repair Manual :

daughters of the moon books in order 13 book series - Sep 04 2022

web series daughters of the moon books in order 1 goddess of the night daughters of the moon book 1 lynne ewing 2000 view on amazon 2 into the cold fire daughters of the moon book 2 lynne ewing 2000 view on amazon 3 the secret scroll daughters of the moon book 3 lynne ewing 2001 view on amazon 4 night shade daughters of the

daughters of the moon book series in order - May 12 2023

web the daughters of the moon book series is a wonderful series of fantasy paranormal young adult and supernatural stories it is written by a noteworthy american novelist and screenwriter named lynne ewing the series is comprised of 13 books in total released between 2000 and 2007

daughters of the moon volume one trade edition amazon com - Nov 06 2022

web mar 2 2010 as they become friends their incredible powers bind them together as the daughters of the moon in book one vanessa who has always had the power to become invisible discovers that she and her best friend catty a time traveler are goddesses of the moon who must fight together to overcome the evil atrox

daughters of the moon 13 book series kindle edition - Jul 14 2023

web night shade daughters of the moon jimena who has the gift of seeing the future must call on the skills she developed as a gang member when cassandra a follower of the evil atrox hatches a plot that may destroy the moon goddesses and those they love

the daughters of the moon series 1 13 amazon com - Jan 08 2023

web the daughters of the moon series 1 13 hardcover by ewing author 16 ratings see all formats and editions hardcover 224 77 other new and used from 102 17 daughters of the moon complete series 13 books volume 1 13 hardcover jan 01 1000

lynne ewing print length 1050 pages language english see all details the amazon book review

complete daughters of the moon book series in order - Mar 30 2022

web the daughters of the moon series consist of 13 action adventure books written by lynne ewing daughters of the moon lynne ewing first wrote daughters of the moon goddess of the night book 1 and most recently published daughters of the moon the final eclipse 13 daughters of the moon daughters of the moon series order

daughters of the moon series daughters of the moon wikia - Mar 10 2023

web daughters of the moon is a ya fantasy book series by lynne ewing comprised of thirteen books spanning from 2000 to 2007 the books center on four later five teenage girls with special powers derived from the greek moon goddess selene and take place in los angeles for the first six books the

daughters of the moon series by lynne ewing goodreads - Aug 15 2023

web daughters of the moon series 13 primary works 15 total works book 1 goddess of the night by lynne ewing 3 82 11 383 ratings 484 reviews published 2000 7 editions vanessa is being followed she doesn t know by who want to read rate it book 2 into the cold fire by lynne ewing

lynne ewing fantastic fiction - Jan 28 2022

web lynne ewing is a screenplay writer who also counsels troubled teens she is the author of the first two books in the daughters of the moon series goddess of the night and into the cold fire ms ewing lives in los angeles california

daughters of the moon book series thriftbooks - Apr 11 2023

web the daughters of the moon book series by lynne ewing includes books goddess of the night into the cold fire night shade daughters of the moon book 3 and several more see the complete daughters of the moon series book list in order box sets or omnibus editions and companion titles 15 books 1 goddess of the night lynne ewing from

category books daughters of the moon wikia fandom - Jul 02 2022

web the daughters of the moon universe consists of two book series the thirteen book daughters of the moon main series and its spin off four book sons of the dark though the two series are fairly standalone the sons of the dark definitely takes place in the universe created by the daughters of the moon books and the characters are impacted

amazon com daughters of the moon series - Feb 09 2023

web daughters of the moon the choice book 9 daughters of the moon daughters of the moon 9 book 9 of 13 daughters of the moon by lynne ewing apr 14 2003 4 6 4 6 out of 5 stars 73

amazon com daughters of the moon book series - Apr 30 2022

web aug 7 2000 daughters of the moon books 1 3 part of daughters of the moon by lynne ewing jul 19 2019 125

daughters of the moon series in order by lynne ewing fictiondb - Oct 05 2022

web series list daughters of the moon 13 books by lynne ewing a sortable list in reading order and chronological order with publication date genre and rating

literature daughters of the moon tv tropes - Feb 26 2022

web daughters of the moon is a series of early 2000 s novels by lynne ewing it s about four girls later five who find out they re goddesses or more specifically daughters of the moon goddess selene who are destined to fight an ancient evil called the atrox and its followers who aim to devour all hope from the world

lynne ewing wikipedia - Jun 01 2022

web lynne ewing is an american author and screenwriter who has written 24 young adult novels including the daughters of the moon sons of the dark and the sisters of isis series her books have been translated into seven languages

daughters of the moon wikipedia - Jun 13 2023

web daughters of the moon is a novel series by lynne ewing it is about four fictional girls later five who are mortal goddesses and who fight an ancient evil called the atrox they each have different powers destinies and dark sides

daughters of the moon wiki fandom - Aug 03 2022

web daughters of the moon is a novel series by lynne ewing it is about four fictional girls later five who are mortal goddesses and fight an ancient evil called the atrox they each have different powers destinies and dark sides they all wear moon amulets when they turn 17 they have to make a choice

daughters of the moon daughters of the moon wiki fandom - Dec 07 2022

web the daughters of the moon series follows the story of four goddesses destined to fight an ancient evil known as the atrox series description from the bak of the novels vanessa catty serena and jimena seem like ordinary girls living in los angeles but they each have a secret vanessa can

daughters of the moon volume one trade edition - Dec 27 2021

web mar 2 2010 as they become friends their incredible powers bind them together as the daughters of the moon in book one vanessa who has always had the power to become invisible discovers that she and her best friend catty a time traveler are goddesses of the moon who must fight together to overcome the evil atrox

florida virtual school life management skills answers pdf - Sep 27 2022

web aug 20 2023 florida virtual school life management skills answers 1 8 downloaded from uniport edu ng on august 20 2023 by guest florida virtual school life

flvs life management skills answers answers for 2023 exams - Jul 06 2023

web 3064 flvs life management skills answers added by request 3494 kb s 9807 life management skills module 1 2 flashcards quizlet

florida virtual school life management skills answers pdf - Dec 31 2022

web sep 11 2023 florida virtual school life management skills answers 1 7 downloaded from uniport edu ng on september 11 2023 by guest florida virtual school life

[florida virtual school life management skills answers copy](#) - Jul 26 2022

web mar 1 2023 florida virtual school life management skills answers as recognized adventure as skillfully as experience virtually lesson amusement as without difficulty as

life management skills teacher s guide and student workbook - Nov 29 2022

web the life management skills pass parallel alternative strategies for students teacher s guide presents 10 units concerned with various life management skills including three

florida virtual school life management skills answers - Dec 19 2021

web this florida virtual school life management skills answers as one of the most keen sellers here will no question be along with the best options to review project

[7 high school survival tips from florida virtual school graduates](#) - Jun 24 2022

web aug 2 2022 survival tip 3 get involved get involved in clubs and classes as much as possible go to live lessons interacting with teachers and fellow classmates is really

florida virtual school life management skills answers john - Apr 22 2022

web jul 15 2023 we have the funds for florida virtual school life management skills answers and numerous books collections from fictions to scientific research in any way

life management skills module 1 2 flashcards quizlet - Oct 09 2023

web flvs life management skills module 1 2 review learn with flashcards games and more for free

finding success with florida virtual school the virtual voice - Mar 22 2022

web jul 25 2020 emari was enrolled in florida virtual school from 7th through 11th grade all of her end of course eoc assessments that were required for her to be eligible to

life management skills module 1 2 flashcards quizlet - Feb 18 2022

web flvs life management skills module 1 2 review learn with flashcards games and more for free

life management skills flvs florida virtual school - Feb 01 2023

web ready to start learn how to enroll in flvs flex learn how to enroll in flvs full time courses subject to availability pursuant to s 1002 20 f s

[florida virtual school life management skills answers pdf](#) - Nov 17 2021

web aug 18 2023 florida virtual school life management skills answers 2 8 downloaded from uniport edu ng on august 18

2023 by guest their emotions by understanding what

[florida virtual school life management skills answers pdf](#) - Aug 27 2022

web jul 14 2023 florida virtual school life management skills answers 1 8 downloaded from uniport edu ng on july 14 2023

by guest florida virtual school life management

life management skills florida virtual high school - Apr 03 2023

web discover the best homework help resource for life management skills at florida virtual high school find life management skills study guides notes and

life management skills the virtual voice flvs - Jan 20 2022

web sep 5 2017 life management skills five flvs electives that teach life skills by guest blogger on september 5th 2017

five flvs electives that teach life skills the virtual voice - Mar 02 2023

web life management skills this class teaches how to deal with real issues that impact your everyday life such as nutrition substance abuse stress and health some of the

35 florida virtual school interview questions answers - May 24 2022

web dec 3 2021 35 florida virtual school interview questions answers table of contents behavioral 1 tell me about the last time you received and responded to

health v14 life management skills flvs course hero - Sep 08 2023

web access study documents get answers to your study questions and connect with real tutors for health v14 life management skills at florida virtual school

life management skills 1 05 course hero - May 04 2023

web access study documents get answers to your study questions and connect with real tutors for life management skills 1 05 constructing your health decisions at florida

life management skills florida virtual high school - Jun 05 2023

web discover the best homework help resource for life management skills at florida virtual high school find life management skills study guides notes and practice

florida virtual school life management skills answers 2022 - Oct 29 2022

web florida virtual school life management skills answers 1 florida virtual school life management skills answers raising the bar the virtual high school issues of

[health 1 life management skills florida virtual school](#) - Aug 07 2023

web access study documents get answers to your study questions and connect with real tutors for health 1 life management skills at florida virtual school

[transmettre son patrimoine pour les nuls poche robert](#) - Apr 01 2023

web buy transmettre son patrimoine poche pour les nuls by matthieu robert isbn 9782412034644 from amazon s book store everyday low prices and free delivery on

[transmettre son patrimoine pour les nuls poche apple books](#) - May 22 2022

web pour partager votre écran avec un conseiller cliquez ici donation testament régime matrimonial choisissez au mieux pour protéger efficacement votre conjoint et organiser

[transmettre son patrimoine c est choisir bnp paribas](#) - Mar 20 2022

web traductions en contexte de transmettre votre patrimoine en français anglais avec reverso context vous souhaitez transmettre votre patrimoine de façon anticipée par

transmettre son patrimoine pour les nuls poche poche pour les - Aug 05 2023

web nov 15 2018 1 avis feuilleter format poche poche 12 95 ebook epub 8 99 résumé voir tout transmettre plus payer moins enjeux primordiaux la succession et

transmettre son patrimoine pour les nuls poche poche pour les - May 02 2023

web transmettre son patrimoine pour les nuls poche poche pour les nuls french edition ebook matthieu robert amazon co uk kindle store

transmettre son patrimoine pour les nuls poche matthieu - Jul 24 2022

web nov 15 2018 transmettre plus payer moins enjeux primordiaux la succession et la transmission de patrimoine sont soumises à une fiscalité complexe et pas toujours

transmettre son patrimoine poche pour les nuls pocket book - Jan 30 2023

web transmettre son patrimoine pour les nuls poche matthieu robert auteur descriptif détaillé epub 8 99 téléchargement direct poche 12 95 auteur matthieu robert

[transmettre son patrimoine comment procéder master conseil](#) - Feb 16 2022

web jun 2 2023 le démembrement de propriété le don familial de sommes d argent la donation partage transgénérationnelle le pacte dutreil comme dit précédemment

transmettre son patrimoine pour les nuls robert matthieu - Jun 22 2022

web nov 14 2018 robert matthieu collection pour les nuls poche voir plus transmettre son patrimoine poche pour les nuls broché achat en ligne au meilleur prix sur e leclerc

[transmettre son patrimoine pour les nuls poche](#) - Oct 07 2023

web robert matthieu transmettre son patrimoine pour les nuls poche poche 15 novembre 2018 de robert matthieu auteur 4 4 61 évaluations afficher tous les formats et éditions format kindle 8 99 lisez avec notre appli gratuite poche 12 95 6 autres d

occasion

[transmettre son patrimoine pour les nuls poche lisez](#) - Oct 27 2022

web nov 15 2018 transmettre plus payer moins enjeux primordiaux la succession et la transmission de patrimoine sont soumises à une fiscalité complexe et pas toujours

[transmettre son patrimoine poche pour les nuls broché](#) - Apr 20 2022

web dec 8 2019 privilégier l assurance vie pour transmettre son patrimoine tout comme la donation l assurance vie est un contrat toutefois dans ce cas précis l assuré épargne

[transmettre son patrimoine pour les nuls poche](#) - Nov 15 2021

transmettre son patrimoine pour les nuls poche apple books - Aug 25 2022

web découvrez et achetez transmettre son patrimoine pour les nuls robert matthieu pour les nuls sur librairiehorizon fr s identifier 7 810 références en stock

transmettre son patrimoine pour les nuls poche - Sep 06 2023

web transmettre son patrimoine pour les nuls poche poche pour les nuls format kindle de robert matthieu auteur format format kindle 61 évaluations afficher tous les

transmettre son patrimoine pour les nuls poche poche pour les - Feb 28 2023

web nov 15 2018 transmettre son patrimoine pour les nuls poche robert matthieu note moyenne donner le premier avis extrait transmettre plus payer moins enjeux

[amazon fr gestion de patrimoine pour les nuls](#) - Jun 03 2023

web transmettre son patrimoine pour les nuls poche de robert matthieu auteur transmettre plus payer moins

les différentes manières de transmettre votre patrimoine - Dec 17 2021

transmettre son patrimoine pour les nuls poche ebook - Sep 25 2022

web nov 15 2018 transmettre plus payer moins enjeux primordiaux la succession et la transmission de patrimoine sont soumises à une fiscalité complexe et pas toujours

transmettre son patrimoine poche pour les nuls fnac - Jul 04 2023

web nov 15 2018 buy transmettre son patrimoine pour les nuls poche poche pour les nuls french edition read kindle store reviews amazon com

transmettre son patrimoine pour les nuls poche decitre - Dec 29 2022

web transmettre son patrimoine pour les nuls poche de robert matthieu auteur transmettre plus payer moins

traduction de transmettre votre patrimoine en anglais reverso - Jan 18 2022

web nov 15 2018 transmettre son patrimoine pour les nuls poche robert matthieu transmettre plus payer moins enjeux primordiaux la succession et la transmission

transmettre son patrimoine pour les nuls poche cultura - Nov 27 2022

web nov 15 2018 transmettre plus payer moins enjeux primordiaux la succession et la transmission de patrimoine sont soumises 224 une fiscalit 233 complexe et pas