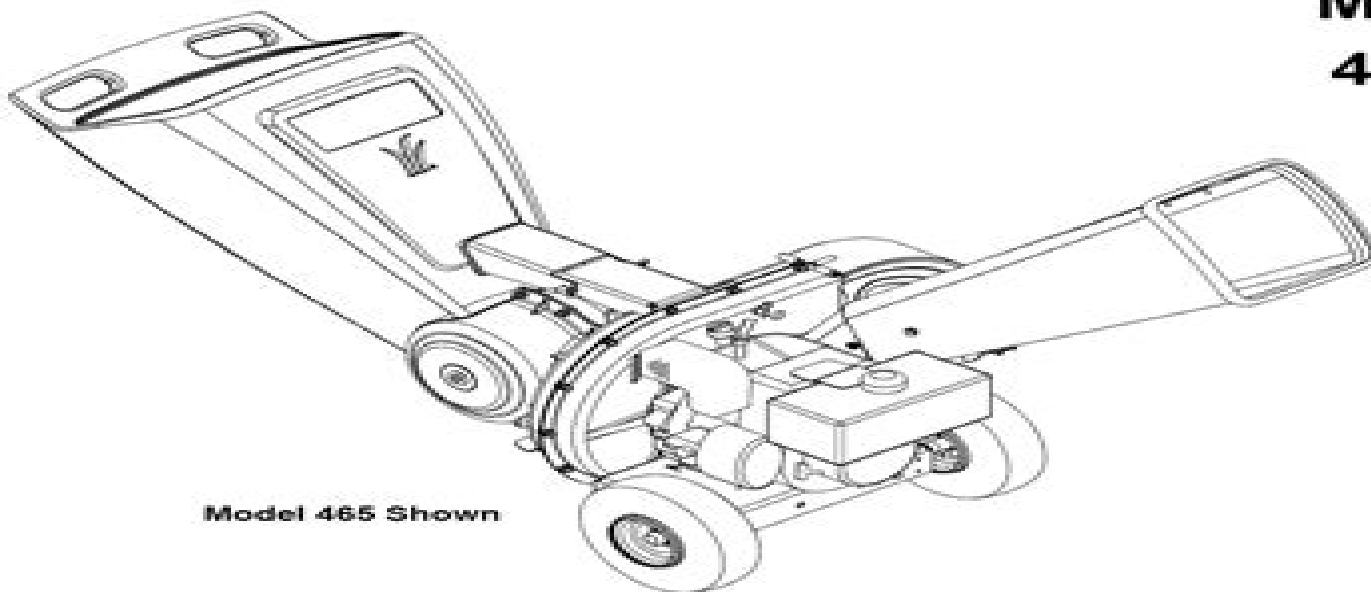


# OPERATOR'S MANUAL

## Chipper Shredder Model Series 462 thru 465



Model 465 Shown

### **IMPORTANT: READ SAFETY RULES AND INSTRUCTIONS CAREFULLY**

**Warning:** This unit is equipped with an internal combustion engine and should not be used on or near any unimproved forest-covered, brush-covered or grass-covered land unless the engine's exhaust system is equipped with a spark arrester meeting applicable local or state laws (if any). If a spark arrester is used, it should be maintained in effective working order by the operator. In the State of California the above is required by law (Section 4442 of the California Public Resources Code). Other states may have similar laws. Federal laws apply on federal lands. A spark arrester for the muffler is available through your nearest engine authorized service dealer or contact the service department, P.O. Box 361131 Cleveland, Ohio 44136-0019.

**MTD LLC, P.O. BOX 361131 CLEVELAND, OHIO 44136-0019**

PRINTED IN U.S.A.

FORM NO. 770-10048F

5/2003

# Huskee Chipper Shredder Manual

**David Baud**



## **Huskee Chipper Shredder Manual:**

## Whispering the Techniques of Language: An Emotional Quest through **Huskee Chipper Shredder Manual**

In a digitally-driven earth where displays reign great and immediate communication drowns out the subtleties of language, the profound techniques and mental subtleties hidden within phrases often go unheard. Yet, situated within the pages of **Huskee Chipper Shredder Manual** a captivating fictional prize pulsating with raw thoughts, lies an extraordinary journey waiting to be undertaken. Published by a skilled wordsmith, that enchanting opus invites visitors on an introspective trip, gently unraveling the veiled truths and profound impact resonating within the cloth of every word. Within the psychological depths of the touching review, we shall embark upon a honest exploration of the book is core styles, dissect their interesting publishing design, and succumb to the strong resonance it evokes serious within the recesses of readers hearts.

<https://staging.conocer.cide.edu/data/book-search/default.aspx/honda%20cd175%20cb175%20cl175%20parts%20service%20repair%20manual.pdf>

### **Table of Contents Huskee Chipper Shredder Manual**

1. Understanding the eBook Huskee Chipper Shredder Manual
  - The Rise of Digital Reading Huskee Chipper Shredder Manual
  - Advantages of eBooks Over Traditional Books
2. Identifying Huskee Chipper Shredder Manual
  - Exploring Different Genres
  - Considering Fiction vs. Non-Fiction
  - Determining Your Reading Goals
3. Choosing the Right eBook Platform
  - Popular eBook Platforms
  - Features to Look for in an Huskee Chipper Shredder Manual
  - User-Friendly Interface
4. Exploring eBook Recommendations from Huskee Chipper Shredder Manual
  - Personalized Recommendations

- Huskee Chipper Shredder Manual User Reviews and Ratings
- Huskee Chipper Shredder Manual and Bestseller Lists
- 5. Accessing Huskee Chipper Shredder Manual Free and Paid eBooks
  - Huskee Chipper Shredder Manual Public Domain eBooks
  - Huskee Chipper Shredder Manual eBook Subscription Services
  - Huskee Chipper Shredder Manual Budget-Friendly Options
- 6. Navigating Huskee Chipper Shredder Manual eBook Formats
  - ePub, PDF, MOBI, and More
  - Huskee Chipper Shredder Manual Compatibility with Devices
  - Huskee Chipper Shredder Manual Enhanced eBook Features
- 7. Enhancing Your Reading Experience
  - Adjustable Fonts and Text Sizes of Huskee Chipper Shredder Manual
  - Highlighting and Note-Taking Huskee Chipper Shredder Manual
  - Interactive Elements Huskee Chipper Shredder Manual
- 8. Staying Engaged with Huskee Chipper Shredder Manual
  - Joining Online Reading Communities
  - Participating in Virtual Book Clubs
  - Following Authors and Publishers Huskee Chipper Shredder Manual
- 9. Balancing eBooks and Physical Books Huskee Chipper Shredder Manual
  - Benefits of a Digital Library
  - Creating a Diverse Reading Collection Huskee Chipper Shredder Manual
- 10. Overcoming Reading Challenges
  - Dealing with Digital Eye Strain
  - Minimizing Distractions
  - Managing Screen Time
- 11. Cultivating a Reading Routine Huskee Chipper Shredder Manual
  - Setting Reading Goals Huskee Chipper Shredder Manual
  - Carving Out Dedicated Reading Time
- 12. Sourcing Reliable Information of Huskee Chipper Shredder Manual
  - Fact-Checking eBook Content of Huskee Chipper Shredder Manual

- Distinguishing Credible Sources
- 13. Promoting Lifelong Learning
  - Utilizing eBooks for Skill Development
  - Exploring Educational eBooks
- 14. Embracing eBook Trends
  - Integration of Multimedia Elements
  - Interactive and Gamified eBooks

### **Huskee Chipper Shredder Manual Introduction**

In this digital age, the convenience of accessing information at our fingertips has become a necessity. Whether its research papers, eBooks, or user manuals, PDF files have become the preferred format for sharing and reading documents. However, the cost associated with purchasing PDF files can sometimes be a barrier for many individuals and organizations. Thankfully, there are numerous websites and platforms that allow users to download free PDF files legally. In this article, we will explore some of the best platforms to download free PDFs. One of the most popular platforms to download free PDF files is Project Gutenberg. This online library offers over 60,000 free eBooks that are in the public domain. From classic literature to historical documents, Project Gutenberg provides a wide range of PDF files that can be downloaded and enjoyed on various devices. The website is user-friendly and allows users to search for specific titles or browse through different categories. Another reliable platform for downloading Huskee Chipper Shredder Manual free PDF files is Open Library. With its vast collection of over 1 million eBooks, Open Library has something for every reader. The website offers a seamless experience by providing options to borrow or download PDF files. Users simply need to create a free account to access this treasure trove of knowledge. Open Library also allows users to contribute by uploading and sharing their own PDF files, making it a collaborative platform for book enthusiasts. For those interested in academic resources, there are websites dedicated to providing free PDFs of research papers and scientific articles. One such website is Academia.edu, which allows researchers and scholars to share their work with a global audience. Users can download PDF files of research papers, theses, and dissertations covering a wide range of subjects. Academia.edu also provides a platform for discussions and networking within the academic community. When it comes to downloading Huskee Chipper Shredder Manual free PDF files of magazines, brochures, and catalogs, Issuu is a popular choice. This digital publishing platform hosts a vast collection of publications from around the world. Users can search for specific titles or explore various categories and genres. Issuu offers a seamless reading experience with its user-friendly interface and allows users to download PDF files for offline reading. Apart from dedicated platforms, search engines also play a crucial role in finding free PDF files. Google, for instance, has an advanced

search feature that allows users to filter results by file type. By specifying the file type as "PDF," users can find websites that offer free PDF downloads on a specific topic. While downloading Huskee Chipper Shredder Manual free PDF files is convenient, its important to note that copyright laws must be respected. Always ensure that the PDF files you download are legally available for free. Many authors and publishers voluntarily provide free PDF versions of their work, but its essential to be cautious and verify the authenticity of the source before downloading Huskee Chipper Shredder Manual. In conclusion, the internet offers numerous platforms and websites that allow users to download free PDF files legally. Whether its classic literature, research papers, or magazines, there is something for everyone. The platforms mentioned in this article, such as Project Gutenberg, Open Library, Academia.edu, and Issuu, provide access to a vast collection of PDF files. However, users should always be cautious and verify the legality of the source before downloading Huskee Chipper Shredder Manual any PDF files. With these platforms, the world of PDF downloads is just a click away.

### **FAQs About Huskee Chipper Shredder Manual Books**

How do I know which eBook platform is the best for me? Finding the best eBook platform depends on your reading preferences and device compatibility. Research different platforms, read user reviews, and explore their features before making a choice. Are free eBooks of good quality? Yes, many reputable platforms offer high-quality free eBooks, including classics and public domain works. However, make sure to verify the source to ensure the eBook credibility. Can I read eBooks without an eReader? Absolutely! Most eBook platforms offer web-based readers or mobile apps that allow you to read eBooks on your computer, tablet, or smartphone. How do I avoid digital eye strain while reading eBooks? To prevent digital eye strain, take regular breaks, adjust the font size and background color, and ensure proper lighting while reading eBooks. What the advantage of interactive eBooks? Interactive eBooks incorporate multimedia elements, quizzes, and activities, enhancing the reader engagement and providing a more immersive learning experience. Huskee Chipper Shredder Manual is one of the best book in our library for free trial. We provide copy of Huskee Chipper Shredder Manual in digital format, so the resources that you find are reliable. There are also many Ebooks of related with Huskee Chipper Shredder Manual. Where to download Huskee Chipper Shredder Manual online for free? Are you looking for Huskee Chipper Shredder Manual PDF? This is definitely going to save you time and cash in something you should think about.

**Find Huskee Chipper Shredder Manual :**

**honda cd175 cb175 cl175 parts service repair manual**

[honda city 1996 workshop manual](#)

**[honda civic 2008 owner39s manual](#)**

[honda civic coupe 2007 manual](#)

[honda cbr600f workshop service repair manual](#)

[honda cb250rs service manual](#)

[honda civic si ignition system diagram](#)

[honda civic ep3 service manual](#)

*[honda cbr 600 f3 shop manual](#)*

[honda cb 900c owners manual](#)

*[honda crv 1997 2000 service repair manual](#)*

**[honda crv 2010 2011 service manual](#)**

[honda cb450 cm450 cb450sc workshop repair manual 1982 1985](#)

[honda cbr600rr workshop manual](#)

[honda civic brake pad replacement how often](#)

### **Huskee Chipper Shredder Manual :**

[download solutions chapter 16 self quiz pageout - Aug 12 2023](#)

web chapter 16 self quiz pageout ms powerpoint 2002 feb 14 2022 the i series applications textbooks strongly emphasize that students learn and master applications

[chapter 16 self quiz pageout 2023 stage gapinc - Jun 10 2023](#)

web chapter 16 wish loser read aloud chapter 16 flush chapter 16 pg 186 203 choices the nanny affair book 1 chapter 16 the deal diamonds used

**[things fall apart chapter 16 summary quiz worksheet - Feb 23 2022](#)**

web use the worksheet and quiz to practice the following skills reading comprehension ensure that you draw the most important information from the related lesson on chapter

*[chapter 6 introduction singapore journey - Mar 27 2022](#)*

web chapter 6 introduction singapore journey connect with login with sso remember me singapore citizenship journey

**[chapter 16 self quiz pageout copy uniport edu - Oct 02 2022](#)**

web aug 17 2023 present chapter 16 self quiz pageout and numerous ebook collections from fictions to scientific research in any way in the middle of them is this chapter 16 self



[self quiz online resources](#) - May 09 2023

web test your knowledge the following quiz is designed to test your knowledge and understanding of core chapter concepts you can take this quiz as many times as you

**chapter 16 self quiz pageout pdf copy isip ovcrd upd edu** - Mar 07 2023

web chapter 16 self quiz pageout pdf introduction chapter 16 self quiz pageout pdf copy title chapter 16 self quiz pageout pdf copy isip ovcrd upd edu ph created

[chapter 16 self quiz pageout assets docseducation](#) - Feb 06 2023

web may 23 2023 chapter 16 self quiz pageout solutions manual for crafting and executing strategy concepts and readings the quest for competitive advantage 20th edition by

[chapter16selfquizpageout](#) - Jan 25 2022

web chapter 16 self quiz pageout blogs post gazette com 4 access free chapter 16 self quiz pageout b pu r p o pqr uuourrtts urost s tp t recent obituaries leonard lee funeral home

**chapter 16 self quiz pageout pdf wrbb neu** - Jul 11 2023

web in some cases you likewise complete not discover the statement chapter 16 self quiz pageout that you are looking for it will extremely squander the time however below

[chapter 16 self quiz pageout pdf robert greene 2023](#) - Sep 01 2022

web jun 25 2023 we give you this proper as well as simple pretentiousness to acquire those all we have the funds for chapter 16 self quiz pageout pdf and numerous book

**chapter 16 summary key terms and self test** - May 29 2022

web chapter 16 self test complete the following self test to check your understanding of the key terminology and concepts of this chapter direct link to self test

**chapter 16 self quiz pageout 2022 25years mitchellinstitute** - Apr 08 2023

web jan 4 2023 you have remained in right site to start getting this info acquire the chapter 16 self quiz pageout member that we provide here and check out the link you could

**chapter 16 self quiz pageout wrbb neu** - Nov 22 2021

web as this chapter 16 self quiz pageout it ends up brute one of the favored books chapter 16 self quiz pageout collections that we have this is why you remain in the best

[chapter 16 self quiz pageout copy ceu social](#) - Jan 05 2023

web stimulate metamorphosis is truly astonishing within the pages of chapter 16 self quiz pageout an enthralling opus penned by a very acclaimed wordsmith readers embark

*chapter 16 self quiz pageout 2023 thearcug* - Sep 13 2023

web by doing economics review questions and self test questions are positioned throughout each chapter to achieve this end along with a comprehensive and integrated student

**chapter 16 self quiz pageout pdf wrbb neu** - Dec 24 2021

web chapter 16 self quiz pageout is available in our digital library an online access to it is set as public so you can get it instantly our digital library spans in multiple countries

self quizzes oxford university press - Apr 27 2022

web chapter 16 self quizzes true or false multiple choice essay questions flash cards of key terms web links chapter 17 chapter 18 chapter 19 chapter 20 chapter 21

chapter 16 the self what you know about you quizlet - Oct 14 2023

web start studying chapter 16 the self what you know about you learn vocabulary terms and more with flashcards games and other study tools

*chapter 6 quiz singapore journey* - Dec 04 2022

web select the correct answer it is a rite of passage for singaporean males aged 18 years and above to quickly build up our own defence forces for our continued survival to

**chapter 16 self test flashcards quizlet** - Nov 03 2022

web what is congenital goiter enlarged thyroid at birth what is epiglottitis bacterial infection of the upper airway what is osteochondrosis disease that affects epiphyseal growth plate

**chapter 16 self quiz pageout 2022 graph safehousetech** - Jun 29 2022

web chapter 16 self quiz pageout downloaded from graph safehousetech com by guest leila pitts hold still yearling william c morris debut award finalist from debut author

**self quizzes oxford university press** - Jul 31 2022

web oxford university press usa publishes scholarly works in all academic disciplines bibles music children s books business books dictionaries reference books

*the real meaning of memorial day and why it s* - Dec 06 2022

web feb 14 2022 instituted after the civil war memorial day is an american holiday that aims to honor the sacrifices of the soldiers who died serving the u s military many of us are

*what memorial day means to me internet public library* - Feb 25 2022

web the vietnam veterans memorial has been an issue of debate since its beginning a debate that is far from worthwhile vietnam is a very important war in the story conflict

*what memorial day mean to me 235 words bartleby* - Apr 10 2023

memorial day is a day that we are encouraged to remember those who have given their lives for our country it is a day that encourages us to respect the fallen soldiers and also do see more

**what memorial day means to me memorial day is an american** - Jan 07 2023

web memorial day what it means to me it means to me that it is a day dedicated to a day to remember the heros who had fallen before the civil war and beyond that but to me

importance of memorial day to me 334 words bartleby - Jul 01 2022

web to me memorial day is a time where we as a nation are reminded that all of the freedoms and rights that we take for granted came at the cost of men and women who made the

*memorial day essay meaning importance of memorial day* - Aug 02 2022

web what memorial day means to me by dominic jordan this essay is based on the remembrance of this day memorial day memorial day what it means to me it

what memorial day means to me free essay sample - Mar 09 2023

web in this essay i will delve into what memorial day means to me personally exploring the profound impact it has on my perspective values and sense of gratitude reflecting on

**descriptive essay about memorial day 741 words bartleby** - May 31 2022

web dec 3 2021 memorial day means more than just honoring those who died for the country by decorating the graves or taking part in parades this should be a day to remind us

memorial day free essay examples and topic ideas - Apr 29 2022

web what memorial day means to me some may think memorial day is about no school having bbq s and drinking soda it s really a day when we remember those who died in

**memorial day definition meaning dictionary com** - Oct 24 2021

web 192 words1 page what memorial day means to me kids today in the 21st century think memorial day as a day off from school to play video games and drink a nice cold cola

**what does memorial day mean to me internet public library** - Sep 03 2022

web oct 30 2016 essay sample memorial day is a day of joy a day of sorrow that means many different things to many different people memorial day is on every last monday of

what memorial day means to me essay grand paper writers - Jan 27 2022

web may 29 2023 memorial day is always the last monday in may memorial day meaning and memorial day history memorial day commemorates all men and women who

**what memorial day means to me free essay example** - May 11 2023

memorial day is one of the most important holidays in our country it commemorates all those who have died in service for their country it s such a special time to reflect on the lives of our loved ones and come together as one as see more

[what memorial day means to me the muse](#) - Jun 12 2023

as already discussed memorial day is a time to remember the men and women who have served in the armed forces it was originally established on may 5th 1868 to be a day of see more

**importance of memorial day to me internet public library** - Dec 26 2021

web 198 words1 page what memorial day means to me by kensington loving what do you think of when you think memorial day i know almost all the kids of the u s think

**what memorial day means to me personal essay free essays** - Nov 24 2021

web the meaning is to remember what they have done for us memorial day means peace and thankfulness to me it isn t just about having a wonderful time it means more than that

**what memorial day means to me a time of reflection and** - Jul 13 2023

to me memorial day is about remembering all of the lives that have been lost i feel like it s important to not only remember our fallen soldiers but also those who are suffering from war and its consequences it s see more

*what memorial day means to me essay a plus topper* - Aug 14 2023

memorial day is a day where people get together and remember the men and women who served their country it is also a day where people can reflect on how thankful they are for their freedom memorial day is very important and it should not be forgotten memorial day celebrations in america as the first see more

*memorial day remembering our fallen heroes free essay* - Nov 05 2022

web expressing gratitude and compassion gratitude is a cornerstone of the christian faith and memorial day provides an opportunity to express gratitude for the sacrifices of others

[what memorial day means to me as a christian writingbros](#) - Feb 08 2023

web jan 22 2017 memorial day means peace and thankfulness to me it isn t just about having a wonderful time it means more than that without memorial day we wouldn t

**memorial day 2023 the meaning history of the holiday** - Mar 29 2022

web descriptive essay about memorial day it was that time of the year again memorial day weekend was finally here and that means one thing in any hesse s mind the annual

[what memorial day means to me essay why is it important](#) - Sep 22 2021

web david fitzpatrick may 14 2013 ela period 3 what memorial day means to me memorial day is a day of joy a day of sorrow

that means many different things to many different

what does memorial day mean to me 253 words bartleby - Oct 04 2022

web by julia dahlke westview high school 11th grade what memorial day means to me memorial day is an american holiday on the last monday of may that honors men and

**aerial firefighting wikipedia** - Aug 15 2023

web aerial firefighting also known as waterbombing is the use of aircraft and other aerial resources to combat wildfires the types of aircraft used include fixed wing aircraft and helicopters smokejumpers and rappellers are also classified as aerial firefighters delivered to the fire by parachute from a variety of fixed wing aircraft or

**aerial firefighters royal aeronautical society** - Aug 03 2022

web aerial firefighters alan warnes looks at how specially adapted fixed and rotary wing aircraft are being used to fight wildfires in europe the us and canada conair group uses an upgraded version of the bae 146 known as the rj85 which is operated by aeroflite for aerial firefighting conair

**aerial firefighting technology and tactics armed rescue** - Jun 13 2023

web oct 2 2020 aerial firefighting can take many forms from surveillance drones to huge water bomber jets and light utility helicopters equipped with buckets mario pierobon takes an in depth look at what resources are needed to coordinate an enhanced response to aerial firefighting challenges around the world

**aerial firefighting use and effectiveness afue us forest service** - Oct 05 2022

web the aerial firefighting use and effectiveness afue study was initiated in 2013 to answer a general but complex question what are the best mixes of aircraft to do any fire suppression job

**aerial firefighting resources in europe armed rescue** - Dec 07 2022

web apr 13 2021 share over 816 000 rescues and sorties are performed every year countering fires across europe and the resources required to fight fires are as diverse as the landscape aerial assets are key to successful firefighting efforts as mandy langfield identified the past few years have seen an increase in demand for aerial assets globally

*aerial firefighting avincis* - Feb 09 2023

web with one of the biggest firefighting fleets including helicopters planes and proprietary unmanned aerial vehicles uavs avincis provides a full range of firefighting related missions water dropping ground firefighter transportation mission coordination and real time images for control centres

how to become an aerial firefighter dauntless air - Sep 04 2022

web dec 3 2019 a top notch aerial firefighter isn't a pilot they're a firefighter with an airplane they know fire behavior and suppression tactics they understand that fire is the mission and their expert piloting skills are part of what they need to help

their team win the war against these threats

**how to become an aerial firefighter coulson aviation** - Dec 27 2021

web apr 14 2020 our pilots manage everything from aerial firefighting distributing water and or retardant to suppress and or contain wildfires to transporting emergency personnel to heavy lift operations here are the realities you need to

**aeroflite leading by example aerialfire magazine** - Jan 28 2022

web may 1 2023 aeroflite leading by example cover stories may 1 2023 aero flite the u s subsidiary of canadian based conair has been working hard this year to onboard new pilots and continue to provide next level training for their existing pilots

**fire aviator your source for aerial firefighting** - Jul 02 2022

web aerial firefighting military c 130s equipped with modular airborne firefighting systems maffs mobilized to assist with wildfire suppression efforts wpaadmin august 6 2023 bleak reality greece wildfires kill 20 with dozens of firefighters injured

greece bleak reality greece wildfires kill 20 with dozens of firefighters injured

*dauntless air* - Jun 01 2022

web dauntless air is an aerial firefighting company that exists to protect people land and property we fly to win the war against wildfires click to learn how you can strengthen your initial response and direct air attack capabilities for today s changing environment

**how to improve aerial firefighting training and safety dauntless air** - Apr 30 2022

web jul 25 2022 to become an aerial firefighting pilot of a single engine air tanker seat whether the plane is on wheels or in fire boss configuration on floats an individual must meet extensive minimum flight time requirements for a wide variety of training experiences such as mountainous flying low level flying and low level dispersal flying

home aerialfire - Apr 11 2023

web aerial firefighters set up shop at aex for la wildfire suppression september 5 2023 alexandria la kalb additional aircraft have joined military helicopters in missions to the wildfires still active in west louisiana the u s forest service arranged for

**acero improving wildland firefighting operations with drones** - Feb 26 2022

web apr 14 2023 aerial firefighting is only possible when visibility is apparent or pilots could collide with other aircraft or fly into terrain however using drones for aerial suppression

**aerial firefighting saab** - May 12 2023

web saab has a complete aerial firefighting operation with aircraft pilots and maintenance organisation we operate two at 802f fireboss

aerial firefighting armed rescue - Jan 08 2023

web mar 30 2023 aerial firefighting the latest news and expert insights on aerial firefighting around the world presented by

conair latest aerial firefighting news greece to buy drones to prevent wildfires the greek government has announced that it will employ drones and forest temperature sensors to improve the country's preventative firefighting

[aerial firefighting how does it work simple flying](#) - Jul 14 2023

web may 25 2021 aerial firefighters can be a variety of aircraft including helicopters turboprops modified commercial narrowbody jets and even widebody commercial jets some aerial firefighter aircraft are owned by government agencies

**how to become an aerial firefighter aerialfire magazine** - Mar 30 2022

web dec 6 2019 a top notch aerial firefighter isn't a pilot they're a firefighter with an airplane they know fire behavior and suppression tactics they understand that fire is the mission and their expert piloting skills are part of what they need to help their team win the war against these threats

*turkey launches tender for new aerial firefighting fleets* - Mar 10 2023

web jan 7 2022 summer 2021 forest fires boost need for aerial firefighting assets the acquisitions are in response to the major forest fires which raged across much of turkey in the summer of 2021 as of august 2021 299 forest fires were underway in 49 out of 81 turkish provinces the fires killed eight people and countless animals and scorched

*category aerial firefighting wikipedia* - Nov 06 2022

web aerial firefighting is a specialized subset of the wildland firefighting profession subcategories this category has only the following subcategory a aerial firefighting aircraft 1 c 16 p pages in category aerial firefighting the following 33 pages are in this category out of 33 total