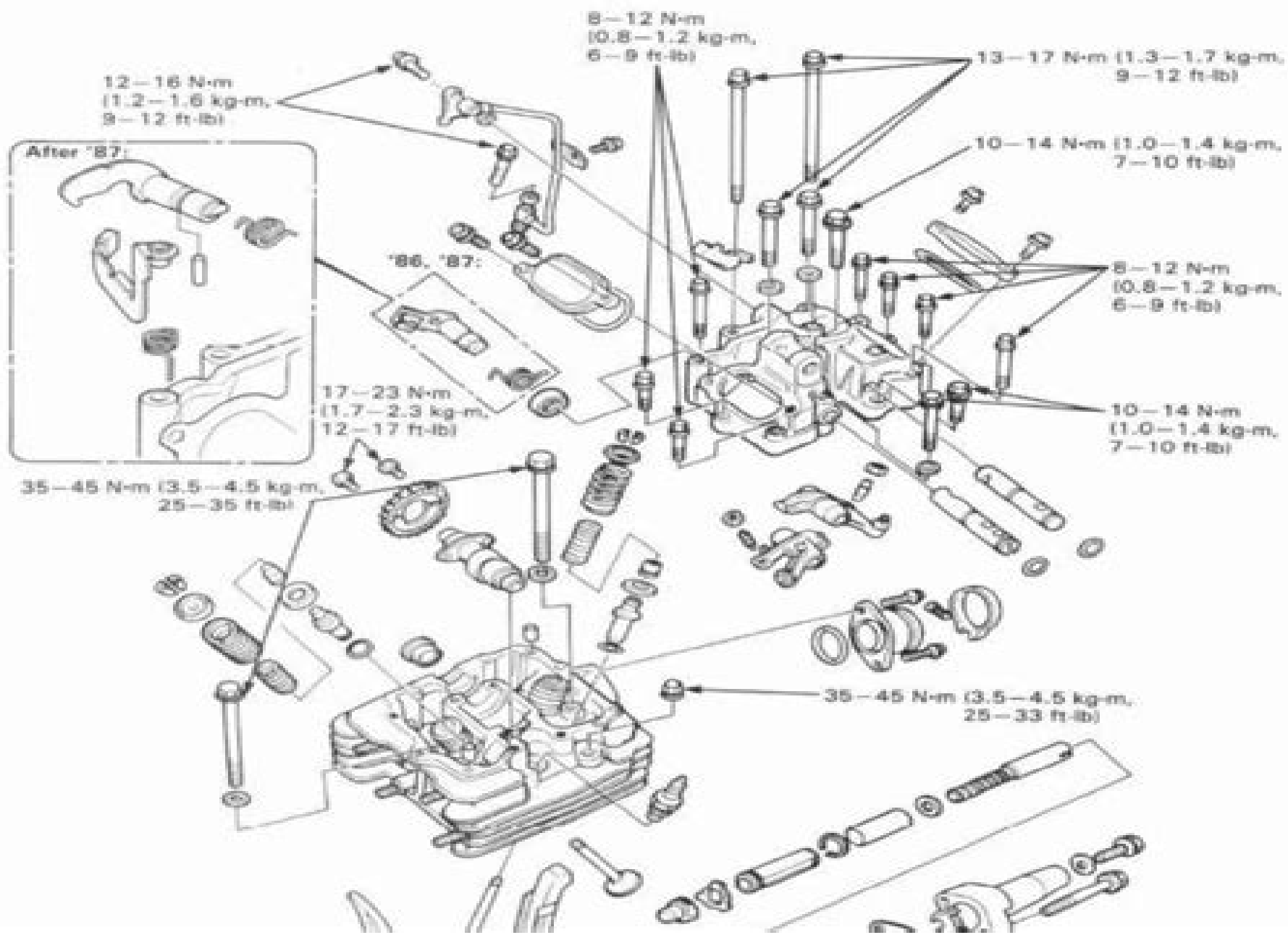


CYLINDER HEAD/VALVES



[Honda Trx350 Manual](#)

AW Chickering



Honda Trx350 Manual:

Cyclepedia Service Manual CPP-145 ,2021 The Cyclepedia Press LLC 1986 1989 Honda TRX 350 Fourtrax TRX 350D Foreman ATV online service manual features 611 pages of detailed black and white photographs and wiring diagrams Complete specifications with step by step procedures performed and written by a seasoned technician Publisher s website

Honda TRX350 Rancher 00-06 Penton Staff,2000-05-24 TRX350FE Fourtrax Rancher 4x4 ES 2000 2006 TRX350FM Fourtrax Rancher 4x4 2000 2006 TRX350TE Fourtrax Rancher ES 2000 2006 TRX350TM Fourtrax Rancher 2000 2006

Honda Service Manual 86-87 TRX350 Fourtrax 4x4, 87-89 TRX350D Foreman 4x4 ,1988 **Honda Service Manual 86-87 TRX350 Fourtrax 4x4, TRX350D Foreman 4x4** ,1986 *Honda Service Manual 86 TRX 350 Fourtrax 4x4* ,1985 **Honda TRX350, TRX250 and TRX250EX ATV Owners Workshop Manual** Alan Ahlstrand,John Harold

Haynes,2005 **American Book Publishing Record** ,2006 *Power Farming in Australia and New Zealand Technical Manual* ,1989 Honda Rancher, Recon & TRX250EX ATV's Editors of Haynes Manuals,2010-01-15 Haynes manuals are written specifically for the do it yourselfer yet are complete enough to be used by professional mechanics Since 1960 Haynes has produced manuals written from hands on experience based on a vehicle teardown with hundreds of photos and illustrations making Haynes the world leader in automotive repair information **Field & Stream** ,2002-07 FIELD STREAM

America s largest outdoor sports magazine celebrates the outdoor experience with great stories compelling photography and sound advice while honoring the traditions hunters and fishermen have passed down for generations **British Power**

Farmer and Agricultural Engineer ,1989 **Yamaha PW50 Y-Zinger, PW80 Y-Zinger and BW80 Big Wheel 81-02**

,2000-05-24 PW50 1981 1983 1985 1987 1990 2002 PW80 1983 1985 1991 2002 BW80 1986 1988 1990 **Logging &**

Sawmilling Journal ,2003 **California Farmer** ,2003 *Ducks Unlimited* ,2002 *Field and Stream* ,2002

Proceedings ,1991 CD ROM copy for 2001 contains also abstracts since 1969 full text proceedings for 1995 2001 and technical papers for 1995 1999 Progressive Farmer ,2002 **CIM Bulletin** Canadian Institute of Mining and

Metallurgy,1990 **Wallaces Farmer** ,2002

The Enigmatic Realm of **Honda Trx350 Manual**: Unleashing the Language is Inner Magic

In a fast-paced digital era where connections and knowledge intertwine, the enigmatic realm of language reveals its inherent magic. Its capacity to stir emotions, ignite contemplation, and catalyze profound transformations is nothing lacking extraordinary. Within the captivating pages of **Honda Trx350 Manual** a literary masterpiece penned with a renowned author, readers attempt a transformative journey, unlocking the secrets and untapped potential embedded within each word. In this evaluation, we shall explore the book's core themes, assess its distinct writing style, and delve into its lasting effect on the hearts and minds of those that partake in its reading experience.

<https://staging.conocer.cide.edu/About/publication/default.aspx/grade%201sepedi%20p2013.pdf>

Table of Contents Honda Trx350 Manual

1. Understanding the eBook Honda Trx350 Manual
 - The Rise of Digital Reading Honda Trx350 Manual
 - Advantages of eBooks Over Traditional Books
2. Identifying Honda Trx350 Manual
 - Exploring Different Genres
 - Considering Fiction vs. Non-Fiction
 - Determining Your Reading Goals
3. Choosing the Right eBook Platform
 - Popular eBook Platforms
 - Features to Look for in an Honda Trx350 Manual
 - User-Friendly Interface
4. Exploring eBook Recommendations from Honda Trx350 Manual
 - Personalized Recommendations
 - Honda Trx350 Manual User Reviews and Ratings
 - Honda Trx350 Manual and Bestseller Lists

5. Accessing Honda Trx350 Manual Free and Paid eBooks
 - Honda Trx350 Manual Public Domain eBooks
 - Honda Trx350 Manual eBook Subscription Services
 - Honda Trx350 Manual Budget-Friendly Options
6. Navigating Honda Trx350 Manual eBook Formats
 - ePub, PDF, MOBI, and More
 - Honda Trx350 Manual Compatibility with Devices
 - Honda Trx350 Manual Enhanced eBook Features
7. Enhancing Your Reading Experience
 - Adjustable Fonts and Text Sizes of Honda Trx350 Manual
 - Highlighting and Note-Taking Honda Trx350 Manual
 - Interactive Elements Honda Trx350 Manual
8. Staying Engaged with Honda Trx350 Manual
 - Joining Online Reading Communities
 - Participating in Virtual Book Clubs
 - Following Authors and Publishers Honda Trx350 Manual
9. Balancing eBooks and Physical Books Honda Trx350 Manual
 - Benefits of a Digital Library
 - Creating a Diverse Reading Collection Honda Trx350 Manual
10. Overcoming Reading Challenges
 - Dealing with Digital Eye Strain
 - Minimizing Distractions
 - Managing Screen Time
11. Cultivating a Reading Routine Honda Trx350 Manual
 - Setting Reading Goals Honda Trx350 Manual
 - Carving Out Dedicated Reading Time
12. Sourcing Reliable Information of Honda Trx350 Manual
 - Fact-Checking eBook Content of Honda Trx350 Manual
 - Distinguishing Credible Sources
13. Promoting Lifelong Learning

- Utilizing eBooks for Skill Development
 - Exploring Educational eBooks
14. Embracing eBook Trends
- Integration of Multimedia Elements
 - Interactive and Gamified eBooks

Honda Trx350 Manual Introduction

In today's digital age, the availability of Honda Trx350 Manual books and manuals for download has revolutionized the way we access information. Gone are the days of physically flipping through pages and carrying heavy textbooks or manuals. With just a few clicks, we can now access a wealth of knowledge from the comfort of our own homes or on the go. This article will explore the advantages of Honda Trx350 Manual books and manuals for download, along with some popular platforms that offer these resources. One of the significant advantages of Honda Trx350 Manual books and manuals for download is the cost-saving aspect. Traditional books and manuals can be costly, especially if you need to purchase several of them for educational or professional purposes. By accessing Honda Trx350 Manual versions, you eliminate the need to spend money on physical copies. This not only saves you money but also reduces the environmental impact associated with book production and transportation. Furthermore, Honda Trx350 Manual books and manuals for download are incredibly convenient. With just a computer or smartphone and an internet connection, you can access a vast library of resources on any subject imaginable. Whether you're a student looking for textbooks, a professional seeking industry-specific manuals, or someone interested in self-improvement, these digital resources provide an efficient and accessible means of acquiring knowledge. Moreover, PDF books and manuals offer a range of benefits compared to other digital formats. PDF files are designed to retain their formatting regardless of the device used to open them. This ensures that the content appears exactly as intended by the author, with no loss of formatting or missing graphics. Additionally, PDF files can be easily annotated, bookmarked, and searched for specific terms, making them highly practical for studying or referencing. When it comes to accessing Honda Trx350 Manual books and manuals, several platforms offer an extensive collection of resources. One such platform is Project Gutenberg, a nonprofit organization that provides over 60,000 free eBooks. These books are primarily in the public domain, meaning they can be freely distributed and downloaded. Project Gutenberg offers a wide range of classic literature, making it an excellent resource for literature enthusiasts. Another popular platform for Honda Trx350 Manual books and manuals is Open Library. Open Library is an initiative of the Internet Archive, a non-profit organization dedicated to digitizing cultural artifacts and making them accessible to the public. Open Library hosts millions of books, including both public domain works and contemporary titles. It also allows users to borrow digital copies of certain books for a limited

period, similar to a library lending system. Additionally, many universities and educational institutions have their own digital libraries that provide free access to PDF books and manuals. These libraries often offer academic texts, research papers, and technical manuals, making them invaluable resources for students and researchers. Some notable examples include MIT OpenCourseWare, which offers free access to course materials from the Massachusetts Institute of Technology, and the Digital Public Library of America, which provides a vast collection of digitized books and historical documents. In conclusion, Honda Trx350 Manual books and manuals for download have transformed the way we access information. They provide a cost-effective and convenient means of acquiring knowledge, offering the ability to access a vast library of resources at our fingertips. With platforms like Project Gutenberg, Open Library, and various digital libraries offered by educational institutions, we have access to an ever-expanding collection of books and manuals. Whether for educational, professional, or personal purposes, these digital resources serve as valuable tools for continuous learning and self-improvement. So why not take advantage of the vast world of Honda Trx350 Manual books and manuals for download and embark on your journey of knowledge?

FAQs About Honda Trx350 Manual Books

1. Where can I buy Honda Trx350 Manual books? Bookstores: Physical bookstores like Barnes & Noble, Waterstones, and independent local stores. Online Retailers: Amazon, Book Depository, and various online bookstores offer a wide range of books in physical and digital formats.
2. What are the different book formats available? Hardcover: Sturdy and durable, usually more expensive. Paperback: Cheaper, lighter, and more portable than hardcovers. E-books: Digital books available for e-readers like Kindle or software like Apple Books, Kindle, and Google Play Books.
3. How do I choose a Honda Trx350 Manual book to read? Genres: Consider the genre you enjoy (fiction, non-fiction, mystery, sci-fi, etc.). Recommendations: Ask friends, join book clubs, or explore online reviews and recommendations. Author: If you like a particular author, you might enjoy more of their work.
4. How do I take care of Honda Trx350 Manual books? Storage: Keep them away from direct sunlight and in a dry environment. Handling: Avoid folding pages, use bookmarks, and handle them with clean hands. Cleaning: Gently dust the covers and pages occasionally.
5. Can I borrow books without buying them? Public Libraries: Local libraries offer a wide range of books for borrowing. Book Swaps: Community book exchanges or online platforms where people exchange books.

6. How can I track my reading progress or manage my book collection? Book Tracking Apps: Goodreads, LibraryThing, and Book Catalogue are popular apps for tracking your reading progress and managing book collections. Spreadsheets: You can create your own spreadsheet to track books read, ratings, and other details.
7. What are Honda Trx350 Manual audiobooks, and where can I find them? Audiobooks: Audio recordings of books, perfect for listening while commuting or multitasking. Platforms: Audible, LibriVox, and Google Play Books offer a wide selection of audiobooks.
8. How do I support authors or the book industry? Buy Books: Purchase books from authors or independent bookstores. Reviews: Leave reviews on platforms like Goodreads or Amazon. Promotion: Share your favorite books on social media or recommend them to friends.
9. Are there book clubs or reading communities I can join? Local Clubs: Check for local book clubs in libraries or community centers. Online Communities: Platforms like Goodreads have virtual book clubs and discussion groups.
10. Can I read Honda Trx350 Manual books for free? Public Domain Books: Many classic books are available for free as they're in the public domain. Free E-books: Some websites offer free e-books legally, like Project Gutenberg or Open Library.

Find Honda Trx350 Manual :

[grade 1sepedi p2013](#)

[*grade 1mathematic paper memo nsc*](#)

[grade 1maths paper exemplar 2013](#)

grade 1sesotho paper question

[grade 1physical science november 2013 memorandum](#)

[*grade 1math p2 scope for november exam 2014*](#)

[*grade 1september language paper memo*](#)

[*grade 1mathematics poct nov 2013 memo*](#)

grade 1exemplar life sciences paper 2 kzn 2013

[*grade 2 creating line plots*](#)

grade 5 informational text passage

[grade 1lifescience final exam essay](#)

[*grade 6 maths exam papers*](#)

grade 1life sciences practical examination 2014

grade 1november economics exam scope

Honda Trx350 Manual :

unit 301 nvq business admin pdf pdf red ortax - Jun 01 2022

web unit 301 nvq business admin pdf introduction unit 301 nvq business admin pdf pdf administration carol carysforth 2001 this book covers the 8 mandatory units of the nvq level 2 award in administration it provides the link between classroom theory and realities of office life and allows you to build on your own experiences of

nvq level 4 business administration unit 301 communicate in a business - Aug 15 2023

web jan 22 2020 download pdf kemeisha turner 2 december 2019 nvq level 4 business administration y 506 1910 unit 301 communicate in a business environment 1 1 analyse features of different models of business communication that supports administration management communication underpins all else we do

unit 301 nvq business admin pqr uiaf gov co - Dec 27 2021

web unit 301 nvq business admin getting the books unit 301 nvq business admin now is not type of challenging means you could not unaccompanied going once books stock or library or borrowing from your connections to entry them this is an extremely simple means to specifically acquire guide by on line

iso 22301 İş sürekliliği yönetim sistemi İsys btyÖn - Apr 30 2022

web iso 22301 madde 6 planlama İş sürekliliği yönetim sistemi işletilirken yönetim sisteminin kurulma yöntemlerini içeren bir plan yapılır ve bu plana göre aksiyonlar alınır asıl amaç iş sürekliliği hedeflerine ulaşmaktır İş sürekliliği hedeflerine ulaşmak için plan yapılırken kuruluş şunları belirlemelidir

nvq level 3 diploma in business and administration outline - May 12 2023

web mar 22 2023 nvq level 3 diploma in business and administration outline toughnickel nvq level 3 diploma in business and administration outline dahlia ambrose mar 22 2023 4 43 pm edt learn about my experience earning the nvq level 3 diploma and get an idea of what to expect if you pursue this diploma canva

essays on nvq business admin level 3 unit 301 1 2 - Jul 02 2022

web there are tons of free term papers and essays on nvq business admin level 3 unit 301 1 2 on cyberessays com we also have a wide variety of research papers and book reports available to you for free you can browse our collection of term papers or

olivia ensor business admin level 3 portfolio - Mar 10 2023

web i am also in the process of completing nvq level 3 diploma in business administration and am presently on unit 303 of the

technical certificate however i m struggling on this and wondered if you knew of any good online resources

business administration 2021 2022 fall semester final exam - Nov 06 2022

web dec 24 2021 23 january 2023 business administration faculty 2022 2023 fall term resit exam 12 november 2022 2022

2023 academic year fall semester mid term exam program 5 july 2022 prof kim s cameron gave a conference on

organizational culture and leadership the effects on company success

301 güzergahı saatleri durakları ve haritası moovit - Feb 26 2022

web 301 ego 301 otobüs hattının ilk durağı 30346 nata vega 1 durak olup son durağı 31703 nata vega durağıdır 301

doğukent cad turan güneş blv ufuk Üniversitesi atılım Üniversitesi her gün çalışıyor ek bilgi 301 hattında 67 duraklar

bulunuyor ve bu güzergah için toplam seyahat süresi yaklaşık 111 dakika

nvq svq level 3 business administration candidate handbook nvq business - Dec 07 2022

web level 3 business administration candidate handbook nvq business and administration paperback 25 may 2011 by

bernadette watkins author nigel parton author 3 9 out of 5 stars 27 ratings

business administration İşletme ing İstanbul ticaret - Sep 04 2022

web the department of business administration with its strong faculty members and their ability to apply modern methods of

teaching aims to educate their students as successful managers of the future who will take active roles in international and

global businesses as well as will be able to adapt to different cultural environments and use

3473 308 sample test web final city guilds - Aug 03 2022

web title microsoft word 3473 308 sample test web final author dinaa created date 20181102141455z

pearson btec level 3 diploma in business administration - Jun 13 2023

web unit 1 communicate in a business environment 31 unit 2 manage personal and professional development 40 unit 3

principles of business communication and information 44 unit 4 principles of administration 56 unit 5 principles of business

72 unit 6 contribute to the improvement of business performance 82

unit 301 nvq business admin book - Mar 30 2022

web getting the books unit 301 nvq business admin now is not type of challenging means you could not solitary going similar

to ebook amassing or library or borrowing from your connections to entrance them this is an totally simple means to

specifically acquire lead by on line this online revelation unit 301 nvq business admin can be one of the

business and administration 4428 city guilds - Apr 11 2023

web aug 3 2023 nvq award in business and administration nvq certificate in business and administration nvq diploma in

business and administration to achieve the smaller award you complete two mandatory units work in a business environment

communicate in a business environment

business and administration level 3 unit 301 the student room - Feb 09 2023

web city guilds business admin level 3 btec business grade need help with my nvq level 2 business admin assignment for apprenticeship sitting for ial unit 1 business edexcel business administration level 3 please give me some advice here management personal statement for administration btec ict extended diploma jobs

level 3 certificate in business and administration 4413 03 - Jul 14 2023

web the level 3 certificate in business and administration has been approved by the ssb as a technical certificate for the advanced apprenticeship in business and administration full details of the requirements of the apprenticeship framework for

nvq level 3 business admin unit 301 the student room - Jan 08 2023

web sep 20 2017 nvq level 3 business admin unit 301 ive just started this nvq and stuck on this question it reads explain the factors that affect the choice of communication media have tried speaking to my assessor but no reply help please

business administration İşletme İstanbul ticaret - Oct 05 2022

web the department of business administration with its strong faculty members and their ability to apply modern methods of teaching aims to educate their students as successful managers of the future who will take active roles in international and global businesses as well as will be able to adapt to different cultural environments and use modern

unit 301 nvq business admin book pqr uiaf gov co - Jan 28 2022

web merely said the unit 301 nvq business admin is universally compatible similar to any devices to read level 1 nvq certificate level 4 svq in hairdressing and barbering 2009 armstrong s handbook of human resource management practice michael armstrong 2020 01 03 2 armstrong s handbook of human

ultimate back fitness and performance by dr stuart mcgill 6th - Jun 03 2022

web buy ultimate back fitness and performance by dr stuart mcgill 6th edition at the lowest price in united states official webshop of brian carroll world record holder for his 1306 squat get the latest scientific evidence on back exercise

ultimate back fitness performance book review youtube - Apr 01 2022

web jun 13 2017 in this new video i share with you one of my favorite books which is ultimate back fitness performance by dr stuart mcgill this book has been a staple i

ultimate back fitness and performance pmc national center - Feb 11 2023

web this text was written by dr stuart mcgill professor of spinal biomechanics at the university of waterloo the importance and sheer volume of his work certainly should not be news to canadian chiropractors

ultimate back fitness and performance mcgill stuart - Oct 07 2022

web in stock get the latest scientific evidence on back exercise what helps and what hurts and why from a world renowned authority ultimate back fitness and performance provides professionals with the evidence base to design and prescribe the

best exercise programs for the back

[about dr stuart mcgill professor emeritus university of waterloo](#) - Apr 13 2023

web dr stuart m mcgill is a distinguished professor emeritus university of waterloo where he was a professor for 30 years his laboratory and experimental research clinic investigated issues related to the causal mechanisms of back pain how to rehabilitate back pain people and enhance both injury resilience and performance

[ultimate back fitness and performance mcgill stuart](#) - Jul 04 2022

web get the latest scientific evidence on back exercise what helps and what hurts and why from a world renowned authority ultimate back fitness and performance provides professionals with the evidence base to design and prescribe the best exercise programs for the back a complete description of a 5 stage program is provided

dr stuart mcgill ultimate back fitness esource svb - Feb 28 2022

web dr stuart mcgill ultimate back fitness 1 dr stuart mcgill ultimate back fitness nsca s essentials of personal training teach us to sit still advances in functional training rehab your own spinal stenosis damned by the diagnosis everything harder than everyone else 7 steps to a pain free life rebuilding milo maximum strength pain free back

ultimate back fitness and performance sixth edition mcgill stuart - May 14 2023

web ultimate back fitness and performance sixth edition paperback 1 january 2017 by stuart author mcgill author 4 7 4 7 out of 5 stars 164 ratings

dr stu mcgill s 10 best habits for a healthy back - Aug 05 2022

web may 11 2019 back pain is terrible and today i d like to share some of dr mcgill s top suggestions for maintaining a healthy spine long through your life add variety to your movements in the words of dr stu mcgill perhaps the most important guideline should be this don t do too much of any one thing

[dr stuart mcgill s best advice to beat your back pain men s health](#) - Mar 12 2023

web jul 14 2022 fitness men s health mvp exclusives dr stuart mcgill s best advice to beat your back pain the renowned researcher and spine health advocate talks about healthy ways to work from home

ultimate back fitness and performance by stuart mcgill goodreads - Nov 08 2022

web jan 1 2006 ultimate back fitness and performance stuart mcgill 4 42 189 ratings 18 reviews ubfp provides the evidence base to design and prescribe the most appropriate exercise programs for the back professor mcgill s unique approach is based upon years of scientific research into back function of injured people through to elite athletes

ultimate back fitness and performance sixth edition mcgill stuart - Sep 18 2023

web jan 1 2017 dr stuart mcgill is distinguished professor emeritus after 32 years at the university of waterloo where he had a laboratory clinic that explored low back pain rehabilitation and performance enhancement

back pain rehabilitation injury prevention exercise backfitpro - Oct 19 2023

web all back pain has a cause professor mcgill dedicated 32 years to investigating how the spine works the mechanisms of pain and proven ways to eliminate pain and restore pain free activity the key to pain free activity is to assess the pain mechanism and employ a matched approach

ultimate back fitness and performance pmc national center - Jan 10 2023

web oct 10 2008 dr mcgill s most recent text presents a view of the foundation of rehabilitation and injury prevention for the lumbar spine that is different from that prevalent within orthopaedic physiotherapy during the past 10 years for this reason the book is sure to be controversial within the rehabilitation community

ultimate back fitness and performance amazon com - Jun 15 2023

web stuart mcgill dr stuart mcgill is distinguished professor emeritus after 32 years at the university of waterloo where he had a laboratory clinic that explored low back pain rehabilitation and performance enhancement he has been the author of over 240 medical and scientific journal papers

ultimate back fitness and performance mcgill stuart - Jul 16 2023

web ultimate back fitness and performance provides professionals with the evidence base to design and prescribe the best exercise programs for the back a complete description of a 5 stage program is provided

stuart m mcgill c m kinesiology and health sciences - Dec 09 2022

web distinguished professor emeritus contact information email mcgill uwaterloo ca contact backfitpro com education bpe toronto msc ottawa phd waterloo research interests

books lower back pain exercises rehabilitation big 3 backfitpro - Sep 06 2022

web ultimate back fitness and performance provides the evidence base to design and prescribe the most appropriate exercise programs for the back and for any activity sport professor mcgill s unique approach is based upon years of scientific research into back function of injured people through to elite athletes

ultimate back fitness and performance 6th edition 2017 - Aug 17 2023

web ultimate back fitness and performance provides the evidence base to design and prescribe the most appropriate exercise programs for the back professor mcgill s unique approach is based upon years of scientific research into back function of injured people through to elite athletes

ultimate back fitness and performance sixth edition - May 02 2022

web stuart mcgill 41

[lion king ecology lesson plans worksheets reviewed by](#) - Aug 03 2022

web learners investigate the concept of an ecosystem and how they are interconnected according to a hierarchy students are

exposed to the lion king as an example of a food chain and this is very relevant they answer several key [the lion king ecology science kiddy math](#) - Jan 08 2023

web some of the worksheets for this concept are lion king ecology reinforcement answers lion king activity packet lion king ecological and ecosystem answers lion king ecology reinforcement answers ecology lion king answers key answer key to lion king ecology reinforcement answer key to lion king ecology reinforcement smith life

[the lion king ecology research project and movie guide](#) - Oct 05 2022

web lion king ecology research project and movie guide download preview file view preview above this product includes list of species of animals in the movie the lion king lion king species research record sheet lion king movie guide movie guide answer key description this is a great activity for your

[lion king ecology questions and answers](#) - Feb 26 2022

web continue lion king ecology questions and answers king of the lion ecology review hw sections 143 and 144 the lion king film project part 1 of the 2nd 4th grade leaf related issues of movie ecology the lion king of ecology is a sheet of answers the wart of the pigs chart the circle of life hyenas and vultures do not decompose

ecology lion king by anhhuy do prezi - Jun 13 2023

web scene 5 the elephant graveyard two abiotic factors that the hyenas habitat lacks are water sunlight the hyenas have the same niche in the darkland as the lions do in pride rock because they are on top of the food chain in both areas ecology the lion king scene 4 dance

answer key to lion king ecology reinforcement florida state - Dec 27 2021

web answer key to lion king ecology reinforcement 1 1 downloaded from insys fsu edu on september 11 2023 by guest books answer key to lion king ecology reinforcement when somebody should go to the book stores search commencement by shop shelf by shelf it is really problematic this is why we allow the ebook compilations in this website

lion king science worksheet answers - Apr 30 2022

web displaying all the sheets associated with the lion king of ecology reinforcement some of the sheets displayed by the lion king of the lion king ecology reinforced the responses of the lion king ecology answers the pdf film s guide to the lion king s lion king ecology response to a key pdf

lessons from the lion king ecology for the masses - Jun 01 2022

web oct 24 2019 after disney nailed the jungle book three years ago and made almost a billion usd it was inevitable that the lion king was next in big budget almost entirely animal based disney capers so let s have a look at it from an ecologist s perspective

lion king ecology worksheet pdf name period 1 3 draw a - May 12 2023

web view lion king ecology worksheet pdf from biology ivy tech at jay county high school name period 1 3 draw a food chain at least three members long consisting of living things in the using the provided image of a food web please answer the following questions 1 name at least two producers two herbivores and two carnivores in this food

pdf lion king ecology answer key - Jan 28 2022

web lion king ecology answer key the challenges of long term ecological research a historical analysis nov 03 2019 this volume explores the challenges of sustaining long term ecological research through a historical analysis of the long term ecological research program created by the u s national science foundation in 1980 the book

the lion king ecology science worksheets learny kids - Mar 10 2023

web displaying top 8 worksheets found for the lion king ecology science some of the worksheets for this concept are lion king ecology reinforcement answers lion king activity packet lion king ecological and ecosystem answers lion king ecology reinforcement answers ecology lion king answers key answer key to lion king

ecologyworksheetforthelionking 1 pdf ecology movie - Apr 11 2023

web ecology producer unformatted text preview ecology movie worksheet the lion king4 fill in this energy pyramid for the lion king using the animals from question 2 label the level of energy that is transferred on the right and label the trophic levels on the left

results for lion king ecology tpt - Nov 06 2022

web lion king ecology research project and movie guide download preview file view preview above this product includes list of species of animals in the movie the lion king lion king species research record sheet lion king movie guide movie guide answer key description this is a great activity for your ecology unit we research the animals fill

6th grade science lion king ecology reinforcement quizlet - Jul 14 2023

web study with quizlet and memorize flashcards containing terms like what is biotic factors list three biotic factors from the lion king introduction what is abiotic factors and more

the lion king ecology science k12 workbook - Dec 07 2022

web the lion king ecology science displaying all worksheets related to the lion king ecology science worksheets are lion king ecology reinforcement answers lion king activity packet lion king ecological and ecosystem answers lion king ecology reinforcement answers ecology lion king answers key answer key to lion king

lion king ecology reinforcement flashcards quizlet - Aug 15 2023

web study with quizlet and memorize flashcards containing terms like list three abiotic factors from the lion king introduction list three biotic factors from the lion king introduction the bird riding on the tusks of the elephant feed on insects the elephant stirs up

answer key to lion king ecology reinforcement florida state - Mar 30 2022

web right here we have countless ebook answer key to lion king ecology reinforcement and collections to check out we additionally find the money for variant types and in addition to type of the books to browse

the lion king ecology biology quizizz - Sep 04 2022

web the lion king ecology biology quizizz play this game to review biology p the birds riding on the tusks of the elephant feed on insects the elephant stirs up

the lion king science worksheet answer key - Jul 02 2022

web jul 31 2022 october 13 2022july 31 2022by tamble the lion king science worksheet answer key if you want to help your child learn about science you may need science worksheets answers these worksheets can be downloaded from a website and printed

biology lion king docx the lion king an ecological - Feb 09 2023

web the lion king an ecological study questions 1 4 refer to the movie as a whole questions 6 20 refer to specific scenes in the movie or ideas in ecology you may need to answer questions on a separate sheet of paper 1 identify a food chain consisting of organisms in the movie