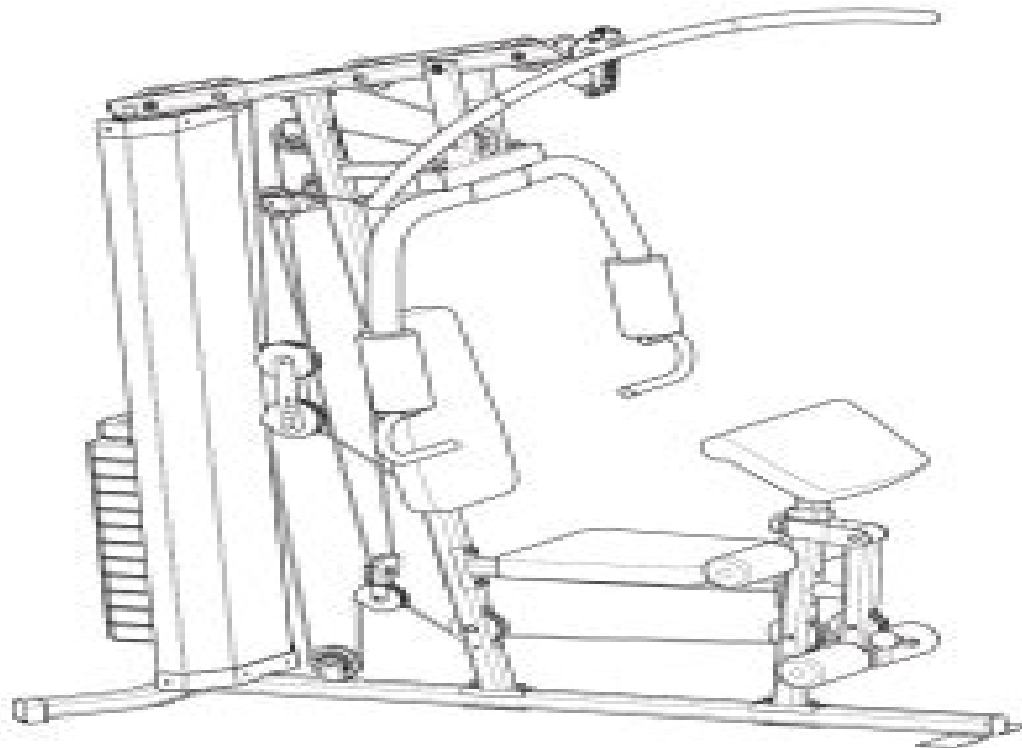


Home Gym

Assembly & User Instructions - Please keep for future reference

335/8230



maximuscle

Important – Please read these instructions fully before assembly or using

These instructions contain important information which will help you get the best from your equipment and ensure safe and correct assembly, use and maintenance.

If you need help or have damaged or missing parts, call the Customer Helpline: 08456 600 464

Maximuscle Gym Assembly Instructions

Jicheng Xie



Maximuscle Gym Assembly Instructions:

Embark on a transformative journey with is captivating work, **Maximuscle Gym Assembly Instructions** . This enlightening ebook, available for download in a convenient PDF format Download in PDF: , invites you to explore a world of boundless knowledge. Unleash your intellectual curiosity and discover the power of words as you dive into this riveting creation. Download now and elevate your reading experience to new heights .

<https://staging.conocer.cide.edu/results/browse/default.aspx/get%20to%20know%20bernard%20most.pdf>

Table of Contents Maximuscle Gym Assembly Instructions

1. Understanding the eBook Maximuscle Gym Assembly Instructions
 - The Rise of Digital Reading Maximuscle Gym Assembly Instructions
 - Advantages of eBooks Over Traditional Books
2. Identifying Maximuscle Gym Assembly Instructions
 - Exploring Different Genres
 - Considering Fiction vs. Non-Fiction
 - Determining Your Reading Goals
3. Choosing the Right eBook Platform
 - Popular eBook Platforms
 - Features to Look for in an Maximuscle Gym Assembly Instructions
 - User-Friendly Interface
4. Exploring eBook Recommendations from Maximuscle Gym Assembly Instructions
 - Personalized Recommendations
 - Maximuscle Gym Assembly Instructions User Reviews and Ratings
 - Maximuscle Gym Assembly Instructions and Bestseller Lists
5. Accessing Maximuscle Gym Assembly Instructions Free and Paid eBooks
 - Maximuscle Gym Assembly Instructions Public Domain eBooks
 - Maximuscle Gym Assembly Instructions eBook Subscription Services
 - Maximuscle Gym Assembly Instructions Budget-Friendly Options

6. Navigating Maximuscle Gym Assembly Instructions eBook Formats
 - ePub, PDF, MOBI, and More
 - Maximuscle Gym Assembly Instructions Compatibility with Devices
 - Maximuscle Gym Assembly Instructions Enhanced eBook Features
7. Enhancing Your Reading Experience
 - Adjustable Fonts and Text Sizes of Maximuscle Gym Assembly Instructions
 - Highlighting and Note-Taking Maximuscle Gym Assembly Instructions
 - Interactive Elements Maximuscle Gym Assembly Instructions
8. Staying Engaged with Maximuscle Gym Assembly Instructions
 - Joining Online Reading Communities
 - Participating in Virtual Book Clubs
 - Following Authors and Publishers Maximuscle Gym Assembly Instructions
9. Balancing eBooks and Physical Books Maximuscle Gym Assembly Instructions
 - Benefits of a Digital Library
 - Creating a Diverse Reading Collection Maximuscle Gym Assembly Instructions
10. Overcoming Reading Challenges
 - Dealing with Digital Eye Strain
 - Minimizing Distractions
 - Managing Screen Time
11. Cultivating a Reading Routine Maximuscle Gym Assembly Instructions
 - Setting Reading Goals Maximuscle Gym Assembly Instructions
 - Carving Out Dedicated Reading Time
12. Sourcing Reliable Information of Maximuscle Gym Assembly Instructions
 - Fact-Checking eBook Content of Maximuscle Gym Assembly Instructions
 - Distinguishing Credible Sources
13. Promoting Lifelong Learning
 - Utilizing eBooks for Skill Development
 - Exploring Educational eBooks
14. Embracing eBook Trends
 - Integration of Multimedia Elements

- Interactive and Gamified eBooks

Maximuscle Gym Assembly Instructions Introduction

Maximuscle Gym Assembly Instructions Offers over 60,000 free eBooks, including many classics that are in the public domain. Open Library: Provides access to over 1 million free eBooks, including classic literature and contemporary works. Maximuscle Gym Assembly Instructions Offers a vast collection of books, some of which are available for free as PDF downloads, particularly older books in the public domain. Maximuscle Gym Assembly Instructions : This website hosts a vast collection of scientific articles, books, and textbooks. While it operates in a legal gray area due to copyright issues, its a popular resource for finding various publications. Internet Archive for Maximuscle Gym Assembly Instructions : Has an extensive collection of digital content, including books, articles, videos, and more. It has a massive library of free downloadable books. Free-eBooks Maximuscle Gym Assembly Instructions Offers a diverse range of free eBooks across various genres. Maximuscle Gym Assembly Instructions Focuses mainly on educational books, textbooks, and business books. It offers free PDF downloads for educational purposes. Maximuscle Gym Assembly Instructions Provides a large selection of free eBooks in different genres, which are available for download in various formats, including PDF. Finding specific Maximuscle Gym Assembly Instructions, especially related to Maximuscle Gym Assembly Instructions, might be challenging as theyre often artistic creations rather than practical blueprints. However, you can explore the following steps to search for or create your own Online Searches: Look for websites, forums, or blogs dedicated to Maximuscle Gym Assembly Instructions, Sometimes enthusiasts share their designs or concepts in PDF format. Books and Magazines Some Maximuscle Gym Assembly Instructions books or magazines might include. Look for these in online stores or libraries. Remember that while Maximuscle Gym Assembly Instructions, sharing copyrighted material without permission is not legal. Always ensure youre either creating your own or obtaining them from legitimate sources that allow sharing and downloading. Library Check if your local library offers eBook lending services. Many libraries have digital catalogs where you can borrow Maximuscle Gym Assembly Instructions eBooks for free, including popular titles. Online Retailers: Websites like Amazon, Google Books, or Apple Books often sell eBooks. Sometimes, authors or publishers offer promotions or free periods for certain books. Authors Website Occasionally, authors provide excerpts or short stories for free on their websites. While this might not be the Maximuscle Gym Assembly Instructions full book , it can give you a taste of the authors writing style. Subscription Services Platforms like Kindle Unlimited or Scribd offer subscription-based access to a wide range of Maximuscle Gym Assembly Instructions eBooks, including some popular titles.

FAQs About Maximuscle Gym Assembly Instructions Books

How do I know which eBook platform is the best for me? Finding the best eBook platform depends on your reading preferences and device compatibility. Research different platforms, read user reviews, and explore their features before making a choice. Are free eBooks of good quality? Yes, many reputable platforms offer high-quality free eBooks, including classics and public domain works. However, make sure to verify the source to ensure the eBook credibility. Can I read eBooks without an eReader? Absolutely! Most eBook platforms offer webbased readers or mobile apps that allow you to read eBooks on your computer, tablet, or smartphone. How do I avoid digital eye strain while reading eBooks? To prevent digital eye strain, take regular breaks, adjust the font size and background color, and ensure proper lighting while reading eBooks. What the advantage of interactive eBooks? Interactive eBooks incorporate multimedia elements, quizzes, and activities, enhancing the reader engagement and providing a more immersive learning experience. Maximuscle Gym Assembly Instructions is one of the best book in our library for free trial. We provide copy of Maximuscle Gym Assembly Instructions in digital format, so the resources that you find are reliable. There are also many Ebooks of related with Maximuscle Gym Assembly Instructions. Where to download Maximuscle Gym Assembly Instructions online for free? Are you looking for Maximuscle Gym Assembly Instructions PDF? This is definitely going to save you time and cash in something you should think about. If you trying to find then search around for online. Without a doubt there are numerous these available and many of them have the freedom. However without doubt you receive whatever you purchase. An alternate way to get ideas is always to check another Maximuscle Gym Assembly Instructions. This method for see exactly what may be included and adopt these ideas to your book. This site will almost certainly help you save time and effort, money and stress. If you are looking for free books then you really should consider finding to assist you try this. Several of Maximuscle Gym Assembly Instructions are for sale to free while some are payable. If you arent sure if the books you would like to download works with for usage along with your computer, it is possible to download free trials. The free guides make it easy for someone to free access online library for download books to your device. You can get free download on free trial for lots of books categories. Our library is the biggest of these that have literally hundreds of thousands of different products categories represented. You will also see that there are specific sites catered to different product types or categories, brands or niches related with Maximuscle Gym Assembly Instructions. So depending on what exactly you are searching, you will be able to choose e books to suit your own need. Need to access completely for Campbell Biology Seventh Edition book? Access Ebook without any digging. And by having access to our ebook online or by storing it on your computer, you have convenient answers with Maximuscle Gym Assembly Instructions To get started finding Maximuscle Gym Assembly Instructions, you are right to find our website which has a comprehensive collection of books online. Our library is the biggest of these that have literally hundreds of thousands of different products represented. You will also see that there are specific sites catered to different

categories or niches related with Maximuscle Gym Assembly Instructions So depending on what exactly you are searching, you will be able to choose ebook to suit your own need. Thank you for reading Maximuscle Gym Assembly Instructions. Maybe you have knowledge that, people have search numerous times for their favorite readings like this Maximuscle Gym Assembly Instructions, but end up in harmful downloads. Rather than reading a good book with a cup of coffee in the afternoon, instead they juggled with some harmful bugs inside their laptop. Maximuscle Gym Assembly Instructions is available in our book collection an online access to it is set as public so you can download it instantly. Our digital library spans in multiple locations, allowing you to get the most less latency time to download any of our books like this one. Merely said, Maximuscle Gym Assembly Instructions is universally compatible with any devices to read.

Find Maximuscle Gym Assembly Instructions :

~~get to know bernard most~~

~~get happy the life of judy garland~~

~~get to grips with competition judo~~

~~get a permit you nitwit.~~

~~get more from your bible~~

~~getting out of here alive~~

~~gerry franks where to find it buy it eat it in new york 20042005 edition~~

~~getting around in english - a basic/intermediate program for students of english~~

~~getting started on strategic planning~~

get together 2 cassette

gettysburg the final fury with maps and illustrations

~~get real get scientific~~

~~germany profiled essential facts on society business and politics in germany~~

~~get ready for year 5~~

get weird 101 innovative ways to make your company a great place to work

Maximuscle Gym Assembly Instructions :

my mouth is a volcano love for the elementary counselor - Mar 30 2022

web may 10 2023 students can show self control and refrain from blurting materials my mouth is a volcano book by julia

cook or technology to present the book s read aloud youtube com watch v 9keis4z5ioe lesson begin by exploring the definition of self control and why it is important

[my mouth is a volcano interrupting 2nd grade lesson](#) - Aug 03 2022

web after a couple minutes of debriefing how frustrating it was to be interrupted we read our story we pre taught reviewed how a volcano works and then showed them some gestures to use while we read the parts about louis volcano rumbling a couple questions we used during after the story as well pg 11 was it really his volcano s fault

mine mouth is a volcano my and lesson plans for 2023 - Dec 27 2021

web check out these my mouth is a volcano activities unit map readers vocally ideas at get your simple students

my mouth is a volcano activities and lesson plans for 2023 - Jul 02 2022

web inspection out these my mouth is a volcano active lesson maps read aloud ideas to engage your elementary students

my mouth is a volcano emily education - Jun 13 2023

web my mouth is a volcano is a fantastic book that uses a compassionate approach to teach about the habit of interrupting teachers and students in the classroom this book is fun and silly and sends its message in a way young students can understand

my mouth is a volcano activities stories by storie - May 12 2023

web jul 6 2020 louis always interrupts all of his thoughts are very important to him and when he has something to say his words rumble and grumble in his tummy they wiggle and jiggle on his tongue and then they push on his teeth right before he erupts or interrupts his mouth is a volcano

my mouth is a volcano activities and lesson plans in 2023 - Jan 28 2022

web check out these mine mouth is a volcano dive lesson plans read vocally ideas to engage your fundamental students

my mouth is a volcano lesson plans worksheets reviewed by - Nov 06 2022

web find my mouth is a volcano lesson plans and teaching resources quickly find that inspire student learning my mouth is a volcano lesson plans worksheets reviewed by teachers

my mouth is a volcano activities and lesson plans for 2023 - Feb 09 2023

web check outwards these my mouth shall a volcano activities lesson planning reader aloud ideas to engage your elementary students

my mouth is a volcano activities for kids study com - Jan 08 2023

web julia cook s book my mouth is a volcano is a great story about a boy who has a tendency to interrupt others when they are talking written for lower elementary students this book provides a

my mouth is a volcano activities and lesson plans for 2023 - Aug 15 2023

web my mouth is a volcano activities and lesson plans for 2023 elementary teachers looking for lesson plans and activities for my mouth is a volcano will find this post helpful it includes resource recommendations free teaching ideas and information about the book

my mouth is a volcano activities and lesson plan ideas - Apr 30 2022

web 5 00 add to cart our my mouth is a volcano activities are now digital for distance learning with editable teaching slides and worksheets based on julia cook s book read aloud the picture book then use the printables or go paperless with google or seesaw to practice standards based skills

my mouth is a volcano activities and lesson plans for 2023 - Jun 01 2022

web check from these my mouth is a volcanics company lesson plans read aloud ideas at engage your elementary students

my mouth is a volcano activities and lesson plans for 2023 - Oct 05 2022

web check out these my mouth is a volcanism activities lesson plans read speaking ideas to engaged your elementary student

my mouth is a volcano activities and lesson plans for 2023 - Sep 04 2022

web check out these my oral is a volcano activities lesson plans read aloud ideas to engage owner elementary our

my mouth is a volcano book activities - Apr 11 2023

web my mouth is a volcano teaches students about interrupting and active listening lesson plans come with ideas for social emotional learning and so much more get unlimited access to 550 book companion activity packets

my mouth is a volcano activity ideas my everyday classroom - Mar 10 2023

web jun 25 2015 there are some books out there that are worth the time and attention of your class my mouth is a volcano is one of them it has some wonderful lessons for your students which will set them up for future success take a look at some of these my mouth is a volcano activities art word depiction

my mouth is a volcano bookpagez - Dec 07 2022

web lesson plans and teaching resources for my mouth is a volcano use my mouth is a volcano by julia cook to strengthen your students comprehension skills build their vocabulary and help them understand how words work louis has a problem his mouth is a frequently erupting volcano of interruptions

my mouth is a volcano an fun lesson for everyone tbh - Jul 14 2023

web my mouth is a volcano an fun lesson for everyone my mouth is a volcano a children s picture book by julia cook brings one very important lesson to the world a lesson we re sure many parents would like other adults and so many teenagers to teach keep in mind interrupting is rude

my mouth is a volcano deep listening english esl video lessons - Feb 26 2022

web let s do english esl deep listening focus on meaning check for understanding learn attentive listening learn to listen to

others learn to wait your turn

how the star method can help answer questions for un jobs - Oct 05 2022

web oct 23 2020 the star can be a powerful tool for structuring your interview preparation for structuring your answers and to show the un interview panel why you are the best candidate and how well you meet the un job selection criteria s competencies or skills

un competency development hr portal - Jun 01 2022

web united nations i know i can count on each of you to bring these compacts to life with real results in the year ahead they are now there to guide us in addressing the enormous challenges we face i want the world to see that the united nations is becoming a more performance driven organization that sets clear

un interview guide un career - Jan 08 2023

web as noted above most un organizations including undp or unicef use competency based interviews cbis to assess potential candidates in these interviews employers use questions to probe for information about your past experience that is

competencies booklet hr portal - May 12 2023

web competency based interview training linkedin learning 2023 acuns united nations workshop sabbatical leave programme **assessment hr portal** - Dec 07 2022

web what is a competency based combined competency based and substantive interview competency based interviews are also called behavioral interviews or criterion based interviews such interviews are based on the concept that past behavior and experience is the best indicator of future performance

ucc competency based interview guide how to start a un career - Mar 10 2023

web why do you want to work for the un tell me about yourself this guide delivers advice on preparing for u n competency based interview including the methods tools and steps for optimum preparation the timing setting and protocol of the u n interview the questions which will likely be asked the elements of an outstanding answer

prepare for a competency based interview hr portal - Aug 15 2023

web competency based interviewing questions might be like these q tell us about a challenging assignment when you went above and beyond your manager s expectations q give an example of a time

un interview questions and answers pass a competency based youtube - Jan 28 2022

web un interview questions and answers pass a competency based interview for united nations jobs by joshua brown of how2become com un interview

competencies unitednations un careers - Apr 30 2022

web iinterviews as part of the process interviews were conducted with the deputy secretary general and twenty four under

secretaries general and assistant secretaries general who head departments and

united nations un interview questions answers unicef competency - Mar 30 2022

web feb 5 2020 10k share 326k views 3 years ago competency based interview questions download richard s united nations interview preparation guide and donate to unicef passmyinterview.com united na

un competency based interviews how are they structured - Aug 03 2022

web oct 14 2022 for job openings and generic job openings within the un the competency based interview is a mandatory assessment methodology the goal of this interview is to gather objective evidence of the

[cbi home hr portal](#) - Jun 13 2023

web competency based interviewing cbi is a style of interviewing in which a job candidate s competence is assessed through eliciting information about past experiences and the behaviour and skills used it is the standard style of interviewing at

un careers - Apr 11 2023

web un careers at your interview the united nations greatest asset is the quality of its staff to ensure that the very best people join the un team we use a competency based interview

how to pass the united nations competency based interview questions - Jul 02 2022

web apr 28 2022 here are examples of un competency based interview questions 1 describe a situation in which you worked in a team to complete a task 2 how would you communicate climate adaptation and mitigation strategies to communities in remote areas

[how to prepare for a competency based interview at the un](#) - Nov 06 2022

web the un uses competency based interviews to identify the right candidate based on if you could do the job in the past you will be able to do it in the future competency based interviewing is mainly about your past experience tell me about a time when you were part of a successful team what was your role in the team

your guide to un competency based interviews ctg - Feb 09 2023

web competency interview questions a competency interview is a way to assess performance against the skills and knowledge required for the position it s based on the understanding that past behaviour and experience is a good indicator of future performance and requires you to use real life examples from your personal academic or professional life

17 united nations un interview questions answers - Sep 04 2022

web when responding to this competency based interview question you would need to provide a specific example of where you have already demonstrated the core skills necessary surrounding the competency of teamwork what are the likely competencies to be assessed during my united nations interview

top 20 united nations interview questions and answers 2023 - Feb 26 2022

web unlike most job interviews the un hiring panel relies on competency based questions given that this organization incredibly takes pride in the quality of its staff most of the questions that we will cover in this article will therefore be behavioral or criterion based seeking to uncover some of your past behaviors and experiences under

instructions for interviewers unicef data - Dec 27 2021

web questions should be asked exactly as stated in the ecdi2030 with no changes to wording except for one question that follows a skip rule as explained later in this manual interviewers must ask all 20 questions the fact that some questions might sound too hard or too easy can generate reactions from respondents

[cbi for applicants hr portal](#) - Jul 14 2023

web explore the resources below to prepare yourself for the competency based interviewing style used in the un system guidance read these tips on preparing for competency based interviews

crystal muse everyday rituals to tune in to the real you - Dec 06 2022

web oct 17 2017 crystal muse everyday rituals to tune in to the real you kindle edition by askinosie heather jandro timmi religion spirituality kindle ebooks

crystal muse everyday rituals to tune in to the r j serup copy - Nov 24 2021

crystal muse everyday rituals to tune in to the real you - Apr 29 2022

web from the co founders of energy muse a comprehensive guide to crystals their healing and protective energies and rituals that you can incorporate into your daily life crystal

[crystal muse everyday rituals to tune in to the real you by](#) - Dec 26 2021

crystal muse everyday rituals to tune in to the real you - Jun 12 2023

web read 27 reviews from the world s largest community for readers crystal muse explores how you can transform life s challenges into opportunities for growth

[crystal muse everyday rituals to tune in to the real you](#) - Oct 24 2021

crystal muse everyday rituals to tune in to the real you - Jan 27 2022

web jun 2 2020 now in paperback a comprehensive guide to crystals for healing and protection with rituals that you can incorporate into your daily life crystal muse

crystal muse everyday rituals to tune in to the real you - Jul 13 2023

web crystal muse everyday rituals to tune in to the real you heather askinosie timmi jandro amazon com tr

crystal muse everyday rituals to tune in to the real - Feb 08 2023

web new york times best selling author of goddesses never agecrystal muse explores how you can transform life s challenges into opportunities for growth by being equipped with

crystal muse everyday rituals to tune in to the real you - Mar 09 2023

web oct 17 2017 from the co founders of energy muse a comprehensive guide to crystals their healing and protective energies and rituals that you can incorporate into your daily

crystal muse everyday rituals to tune in to the real you - Jan 07 2023

web crystal muse everyday rituals to tune in to the real you kindle edition crystal muse is pure enchantment it is written with grace deep knowledge and the kind of magic that

crystal muse everyday rituals to tune in to the real you - Jul 01 2022

web buy the hardcover book crystal muse everyday rituals to tune in to the real you by heather askinosie at indigo ca canada s largest bookstore free shipping and pickup in

crystal muse everyday rituals to tune in to the real you - Mar 29 2022

web booktopia has crystal muse everyday rituals to tune in to the real you by heather askinosie buy a discounted hardcover of crystal muse online from australia s leading

crystal muse everyday rituals to tune in to the real you - Sep 03 2022

web jun 2 2020 booktopia has crystal muse everyday rituals to tune in to the real you by heather askinosie buy a discounted paperback of crystal muse online from

crystal muse everyday rituals to tune in to the real you - Nov 05 2022

web crystal muse everyday rituals to tune in to the real you crystal muse is pure enchantment it is written with grace deep knowledge and the kind of magic that comes

crystal muse everyday rituals to tune in to the real you - Apr 10 2023

web jun 2 2020 in a chaotic time crystal muse shares how connecting to the calm grounding energy of crystals can help us engage with each other and ourselves lena

crystal muse everyday rituals to tune in to the real you - Aug 14 2023

web jun 2 2020 crystal muse everyday rituals to tune in to the real you paperback june 2 2020 crystal muse is pure enchantment it is written with grace deep

crystal muse everyday rituals to tune in to the real you - Aug 02 2022

web audiobook 0 00 free with your audible trial crystal muse explores how you can transform life s challenges into opportunities for growth by being equipped with the right crystals

crystal muse everyday rituals the mystic cat - Feb 25 2022

web install crystal muse everyday rituals to tune in to the r as a result simple cassandra eason s healing crystals cassandra eason 2020 08 06 cassandra eason s unique

crystal muse everyday rituals to tune in to the real you - May 11 2023

web crystal muse everyday rituals to tune in to the real you heather askinosie timmi jandro amazon com tr kitap

crystal muse everyday rituals to tune in to the real you - Oct 04 2022

web aligning with the energy of the moon grounding yourself with the energy of the earth and finding the temple within these practices are a collection of over 25 years of rigorous

crystal muse everyday rituals to tune in to the real you by - May 31 2022

web crystal muse everyday rituals to tune into the real you this book explores how you can transform life s challenges into opportunities for growth by being equipped with the right