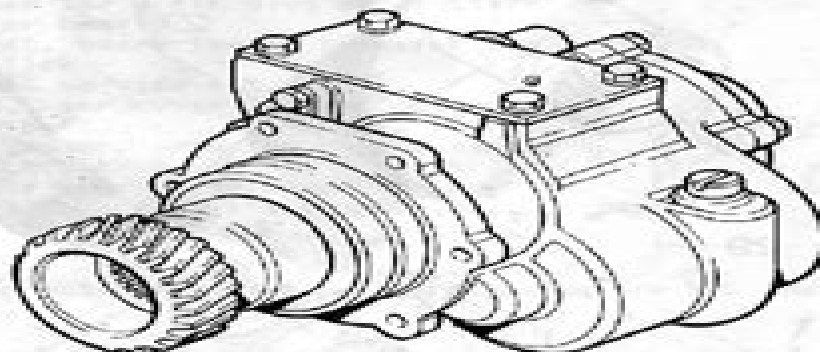


FW Winches Limited

(Formerly Fairley Winches)

OVERDRIVE
Kit Part No. 811/RTC8020
for the
LAND-ROVER
Series I, II, IIA and III
with standard gearbox



FW WINCHES LIMITED

ABBEY RISE, WHITCHURCH ROAD, TAVISTOCK, DEVON, PL19 9DR Tel. Tavistock (0822) 4101/7 Telex: 45324

Land Rover Overdrive Manual

K Morrison



Land Rover Overdrive Manual:

This is likewise one of the factors by obtaining the soft documents of this **Land Rover Overdrive Manual** by online. You might not require more era to spend to go to the book commencement as competently as search for them. In some cases, you likewise accomplish not discover the notice Land Rover Overdrive Manual that you are looking for. It will no question squander the time.

However below, bearing in mind you visit this web page, it will be therefore agreed easy to acquire as well as download guide Land Rover Overdrive Manual

It will not bow to many era as we notify before. You can attain it even though play a part something else at home and even in your workplace. correspondingly easy! So, are you question? Just exercise just what we find the money for below as capably as evaluation **Land Rover Overdrive Manual** what you following to read!

<https://staging.conocer.cide.edu/book/virtual-library/default.aspx/Mitsubishi%20Endeavor%20Digital%20Workshop%20Repair%20Manual%202004%202009.pdf>

Table of Contents Land Rover Overdrive Manual

1. Understanding the eBook Land Rover Overdrive Manual
 - The Rise of Digital Reading Land Rover Overdrive Manual
 - Advantages of eBooks Over Traditional Books
2. Identifying Land Rover Overdrive Manual
 - Exploring Different Genres
 - Considering Fiction vs. Non-Fiction
 - Determining Your Reading Goals
3. Choosing the Right eBook Platform
 - Popular eBook Platforms
 - Features to Look for in an Land Rover Overdrive Manual
 - User-Friendly Interface

4. Exploring eBook Recommendations from Land Rover Overdrive Manual
 - Personalized Recommendations
 - Land Rover Overdrive Manual User Reviews and Ratings
 - Land Rover Overdrive Manual and Bestseller Lists
5. Accessing Land Rover Overdrive Manual Free and Paid eBooks
 - Land Rover Overdrive Manual Public Domain eBooks
 - Land Rover Overdrive Manual eBook Subscription Services
 - Land Rover Overdrive Manual Budget-Friendly Options
6. Navigating Land Rover Overdrive Manual eBook Formats
 - ePub, PDF, MOBI, and More
 - Land Rover Overdrive Manual Compatibility with Devices
 - Land Rover Overdrive Manual Enhanced eBook Features
7. Enhancing Your Reading Experience
 - Adjustable Fonts and Text Sizes of Land Rover Overdrive Manual
 - Highlighting and Note-Taking Land Rover Overdrive Manual
 - Interactive Elements Land Rover Overdrive Manual
8. Staying Engaged with Land Rover Overdrive Manual
 - Joining Online Reading Communities
 - Participating in Virtual Book Clubs
 - Following Authors and Publishers Land Rover Overdrive Manual
9. Balancing eBooks and Physical Books Land Rover Overdrive Manual
 - Benefits of a Digital Library
 - Creating a Diverse Reading Collection Land Rover Overdrive Manual
10. Overcoming Reading Challenges
 - Dealing with Digital Eye Strain
 - Minimizing Distractions
 - Managing Screen Time
11. Cultivating a Reading Routine Land Rover Overdrive Manual
 - Setting Reading Goals Land Rover Overdrive Manual
 - Carving Out Dedicated Reading Time

12. Sourcing Reliable Information of Land Rover Overdrive Manual
 - Fact-Checking eBook Content of Land Rover Overdrive Manual
 - Distinguishing Credible Sources
13. Promoting Lifelong Learning
 - Utilizing eBooks for Skill Development
 - Exploring Educational eBooks
14. Embracing eBook Trends
 - Integration of Multimedia Elements
 - Interactive and Gamified eBooks

Land Rover Overdrive Manual Introduction

In the digital age, access to information has become easier than ever before. The ability to download Land Rover Overdrive Manual has revolutionized the way we consume written content. Whether you are a student looking for course material, an avid reader searching for your next favorite book, or a professional seeking research papers, the option to download Land Rover Overdrive Manual has opened up a world of possibilities. Downloading Land Rover Overdrive Manual provides numerous advantages over physical copies of books and documents. Firstly, it is incredibly convenient. Gone are the days of carrying around heavy textbooks or bulky folders filled with papers. With the click of a button, you can gain immediate access to valuable resources on any device. This convenience allows for efficient studying, researching, and reading on the go. Moreover, the cost-effective nature of downloading Land Rover Overdrive Manual has democratized knowledge. Traditional books and academic journals can be expensive, making it difficult for individuals with limited financial resources to access information. By offering free PDF downloads, publishers and authors are enabling a wider audience to benefit from their work. This inclusivity promotes equal opportunities for learning and personal growth. There are numerous websites and platforms where individuals can download Land Rover Overdrive Manual. These websites range from academic databases offering research papers and journals to online libraries with an expansive collection of books from various genres. Many authors and publishers also upload their work to specific websites, granting readers access to their content without any charge. These platforms not only provide access to existing literature but also serve as an excellent platform for undiscovered authors to share their work with the world. However, it is essential to be cautious while downloading Land Rover Overdrive Manual. Some websites may offer pirated or illegally obtained copies of copyrighted material. Engaging in such activities not only violates copyright laws but also undermines the efforts of authors, publishers, and researchers. To ensure ethical downloading, it is advisable to utilize reputable websites that prioritize the legal distribution of content. When

downloading Land Rover Overdrive Manual, users should also consider the potential security risks associated with online platforms. Malicious actors may exploit vulnerabilities in unprotected websites to distribute malware or steal personal information. To protect themselves, individuals should ensure their devices have reliable antivirus software installed and validate the legitimacy of the websites they are downloading from. In conclusion, the ability to download Land Rover Overdrive Manual has transformed the way we access information. With the convenience, cost-effectiveness, and accessibility it offers, free PDF downloads have become a popular choice for students, researchers, and book lovers worldwide. However, it is crucial to engage in ethical downloading practices and prioritize personal security when utilizing online platforms. By doing so, individuals can make the most of the vast array of free PDF resources available and embark on a journey of continuous learning and intellectual growth.

FAQs About Land Rover Overdrive Manual Books

1. Where can I buy Land Rover Overdrive Manual books? Bookstores: Physical bookstores like Barnes & Noble, Waterstones, and independent local stores. Online Retailers: Amazon, Book Depository, and various online bookstores offer a wide range of books in physical and digital formats.
2. What are the different book formats available? Hardcover: Sturdy and durable, usually more expensive. Paperback: Cheaper, lighter, and more portable than hardcovers. E-books: Digital books available for e-readers like Kindle or software like Apple Books, Kindle, and Google Play Books.
3. How do I choose a Land Rover Overdrive Manual book to read? Genres: Consider the genre you enjoy (fiction, non-fiction, mystery, sci-fi, etc.). Recommendations: Ask friends, join book clubs, or explore online reviews and recommendations. Author: If you like a particular author, you might enjoy more of their work.
4. How do I take care of Land Rover Overdrive Manual books? Storage: Keep them away from direct sunlight and in a dry environment. Handling: Avoid folding pages, use bookmarks, and handle them with clean hands. Cleaning: Gently dust the covers and pages occasionally.
5. Can I borrow books without buying them? Public Libraries: Local libraries offer a wide range of books for borrowing. Book Swaps: Community book exchanges or online platforms where people exchange books.
6. How can I track my reading progress or manage my book collection? Book Tracking Apps: Goodreads, LibraryThing, and Book Catalogue are popular apps for tracking your reading progress and managing book collections. Spreadsheets: You can create your own spreadsheet to track books read, ratings, and other details.

7. What are Land Rover Overdrive Manual audiobooks, and where can I find them? Audiobooks: Audio recordings of books, perfect for listening while commuting or multitasking. Platforms: Audible, LibriVox, and Google Play Books offer a wide selection of audiobooks.
8. How do I support authors or the book industry? Buy Books: Purchase books from authors or independent bookstores. Reviews: Leave reviews on platforms like Goodreads or Amazon. Promotion: Share your favorite books on social media or recommend them to friends.
9. Are there book clubs or reading communities I can join? Local Clubs: Check for local book clubs in libraries or community centers. Online Communities: Platforms like Goodreads have virtual book clubs and discussion groups.
10. Can I read Land Rover Overdrive Manual books for free? Public Domain Books: Many classic books are available for free as they're in the public domain. Free E-books: Some websites offer free e-books legally, like Project Gutenberg or Open Library.

Find Land Rover Overdrive Manual :

[mitsubishi endeavor digital workshop repair manual 2004 2009](#)

mitsubishi eclipse gs manual transmission

[mitsubishi galant 1997 2001 repair service manual](#)

mitsubishi fx2n 32mr manual

[mitsubishi ke70 engine shop manual](#)

mitsubishi freqrol a500 manual

mitsubishi eclipse spyder 1996 1999 factory repair manual

mitsubishi evolution viii evo 8 2003 2005 repair manual

[mitsubishi galant service repair workshop manual](#)

~~mitsubishi automotive repair manual cd~~

[mitsubishi air conditioning unit manual](#)

mitsubishi galant owners manual

mitsubishi l200 1999 factory service repair manual

mitsubishi corporation annual report

mitsubishi delica l300 suspension repair manual

Land Rover Overdrive Manual :

organic chemistry test questions ccea gcse chemistry - Apr 26 2023

web browse by subject test and improve your knowledge of organic chemistry i with fun multiple choice exams you can take online with study com

organic chemistry i practice test questions final exam - Jan 24 2023

web all bitesize gcse aqa more organic chemistry alkanes alkenes alcohols and carboxylic acids are different homologous series of organic compounds naturally

organic chemistry practice tests varsity tutors - Feb 22 2023

web browse browse by subject test and improve your knowledge of organic chemistry ii with fun multiple choice exams you can take online with study com

organic chemistry quizzes study com - Sep 19 2022

web the full examination consists of 60 multiple choice questions representing a fairly wide range of difficulty a periodic table and other useful information are provided on page two

2021 u s national chemistry olympiad american - Jun 16 2022

web apr 24 2023 organic chemistry is the study of the structure property and reactions of organic compounds compounds that contain carbon trivia is the collection of arcane

chemistry high school practice test questions final exam - Jul 30 2023

web test and improve your knowledge of chemistry high school with fun multiple choice exams you can take online with study com

more organic chemistry test questions aqa bbc - Oct 21 2022

web multiple choice questions index solutions to exercises errata lecturer resources figures from the book solutions to end of chapter problems examples of organic synthesis

basics of organic chemistry chapter exam study com - Aug 19 2022

web organic chemistry 1 this chemistry quiz is called organic chemistry 1 and it has been written by teachers to help you if you are studying the subject at high school playing

multiple choice questions oxford university press - Jul 18 2022

web 10 question quiz for webquest or practice print a copy of this quiz at the chemistry organic chemistry webquest print page about this quiz all the questions on this quiz

science quiz chemistry organic chemistry ducksters - Apr 14 2022

web jul 13 2020 organic chemistry quiz questions and answers pdf download with free sample book s tests covers exam s

viva interview questions and competitive exam

organic chemistry quizzes questions answers proprofs - Mar 14 2022

web 1 green chemistry aims to 5 which of the following is a challenge for green chemists a design chemical products and process that maximize profits b design safer chemical

organic chemistry worksheets 14 16 years rsc - Mar 26 2023

web unit 1 structure and bonding unit 2 resonance and acid base chemistry unit 3 alkanes cycloalkanes and functional groups unit 4 stereochemistry unit 5 substitution and

sample exam questions organic chemistry aqa bbc - Nov 09 2021

organic chemistry test 2 practice khan academy - Aug 31 2023

web lesson 1 time to test what we learnt organic chemistry test 1 organic chemistry test 2 organic chemistry test 3 organic chemistry test 4 organic chemistry test 5

sample exam questions organic chemistry bbc - Jun 28 2023

web sample exam questions organic chemistry understanding how to approach exam questions helps to boost exam performance question types will include multiple

organic chemistry 1 practice albert - May 28 2023

web take one of our many organic chemistry practice tests for a run through of commonly asked questions you will receive incredibly detailed scoring results at the end of your

organic chemistry ii practice test questions final exam - Nov 21 2022

web search browse browse by subject test and improve your knowledge of basics of organic chemistry with fun multiple choice exams you can take online with study com

organic chemistry science khan academy - Dec 23 2022

web organic chemistry quizzes test your understanding of organic chemistry concepts with study com s quick multiple choice quizzes missed a question here and there

grades 9 and 10 chemistry high school organic chemistry 1 - May 16 2022

web basic organic chemistry concepts are essential to learning for every level in chemistry courses here we have compiled many basic organic chemistry quizzes free for

basic organic chemistry quiz online chemistry skills - Feb 10 2022

web gcse aqa trilogy sample exam questions organic chemistry aqa understanding how to approach exam questions helps to boost exam performance question types

organic chemistry multiple choice questions and answers - Jan 12 2022

green chemistry high school test questions - Dec 11 2021

golem glm fiyatı grafikler piyasa değeri coinmarketcap - Jun 21 2023

golem the live golem price today is 5 79 try with a 24 hour trading volume of 564 419 765 71 try we update our glm to try price in real time

golem network - Apr 19 2023

the golem network fosters a global group of creators building ambitious software solutions that will shape the technological landscape of future generations by accessing computing resources across the platform

golem wikipedia - Jul 22 2023

the golem how he came into the world german der golem wie er in die welt kam also referred to as der golem a 1920 german silent horror film directed by paul wegener and carl boese le golem czech golem a 1936 czechoslovak monster movie directed by julien duvivier in french

tureng golem türkçe İngilizce sözlük - Mar 18 2023

İngilizce türkçe online sözlük tureng kelime ve terimleri çevir ve farklı aksanlarda sesli dinleme golem yahudi folklorunda insan görünümlü olup hayat bahşedilmiş el yapımı figür ne demek

golem glm fiyatları golem price golem nedir doviz com - Feb 17 2023

1 golem glm fiyatı anlık olarak 4 944 tl ve 0 179 usd ye karşılık gelmektedir golem glm son 24 saat içerisinde 2 66 son bir haftada 0 62 oranında değişmiştir golem glm 01 10 2023 tarihinde 0 184 ile son bir ayın en yüksek seviyesine ulaşmıştır

newsticker ticker mit 7 tage Übersicht auf golem de - May 20 2023

oct 23 2023 it nachrichten und aktuelle informationen der letzten 7 tage alles aus den bereichen internet games politik und wirtschaft im golem de newsticker

golem vikipedi - Sep 24 2023

bir yahudi efsanesinin kahramanıdır talmud da Âdem in ruh üflenmeden önce bir golem olduğu yazılıdır yahudi folklorunda golemler genellikle insan şekli verilmiş çamurdan yapırlar ruhları yoktur zekaları düşük seviyededir ki golem seviyesi İbranice de aptal

golem jewish folklore origin types britannica - Dec 15 2022

aug 29 2023 golem in jewish folklore an image endowed with life the term is used in the bible psalms 139 16 and in talmudic literature to refer to an embryonic or incomplete substance it assumed its present connotation in the middle ages

when many legends arose of wise men who could bring effigies to
[golem glm nedir her şeyiyle golem rehber bitlo com](#) - Jan 16 2023

golem network glm dijital kaynaklara erişimi demokratikleştiren ve kullanıcıları esnek açık kaynaklı bir platform aracılığıyla birbirine bağlayan bir ağıdır bu protokol erişilebilir güvenilir açık erişimli ve sansüre dayanıklıdır

golem de it news für profis - Aug 23 2023

golem de ständig aktuelle it news für profis und videos aus politik wirtschaft und wissenschaft über hardware software telekommunikation games

answer key presidential succession and vice presidency copy - Sep 22 2021

presidential succession vp the executive branch - Sep 03 2022

web answer key presidential succession and vice presidency presidential succession mar 02 2023 presidential succession and mobility jul 02 2020 living dangerously

answer key presidential succession and vice presidency pdf - Aug 02 2022

web 29 votes how to fill out and sign presidential succession and the vice presidency answer key online get your online template and fill it in using progressive features enjoy smart

the vice president and presidential succession - Apr 10 2023

web american government the vice president and presidential succession the vice president and presidential succession under the constitution the vice president

answer key presidential succession and vice presidency full - Apr 29 2022

web key presidential succession and vice presidency that you are looking for it will agreed squander the time however below taking into account you visit this web page it will be

quiz worksheet u s presidential succession - Nov 05 2022

web jun 16 2023 the u s constitution and the presidential succession act of 1947 outline the presidential order of succession the line of succession of cabinet officers is in the

presidential succession and the vice presidency quizlet - Jul 13 2023

web political science politics of the united states chapter 13 section 2 presidential succession and the vice presidency false click the card to flip the vice president s

[answerkeypresidentialsuccessionandvicepresidency](#) - Oct 24 2021

web answer key presidential succession and vice presidency 2 7 downloaded from uniport edu ng on march 24 2023 by guest the modern american vice presidency joel

answer key presidential succession and vice presidency - Jan 27 2022

web answer key presidential succession and vice presidency unchosen presidents presidential inability and vacancies in the office of vice president american challenge

[answer key presidential succession and vice presidency](#) - Dec 26 2021

web presidency ensuring the continuity of the united states government presidential inability and vacancies in the office of vice president the white house vice presidency

answerkeypresidenti alsuccessionandvice presidency - Nov 24 2021

web success and succession hearings reports and prints of the senate committee on the judiciary presidential inability and vacancies in the office of vice president

answer key presidential succession and vice presidency - Mar 29 2022

web presidency the rise of the vice presidency took a sharp upward trajectory with the vice presidency of walter mondale in goldstein s work we see how mondale and jimmy

presidential succession and the vice presidency quizlet - Aug 14 2023

web presidential succession and the vice presidency chapter 13 section 2 government share flashcards learn test match the vice president cannot be removed from

presidential succession and the vice presidency 3 core - Jul 01 2022

web removal of the president and vice president and succession powers of the presidency including the unilateral powers of the presidency and those as chief of state chief

order of presidential succession usagov - Oct 04 2022

web the constitution declared that the vice president would take on the powers and duties of the president but nowhere did it say that the v p would actually become the president

section presidential succession and the vice presidency - Jun 12 2023

web powers president transfer to vice president disabled when he is congress informs and duties congress vice president presidential succession is the plan to fill a vacancy in

chapter 13 the presidency section 2 sterling heights - Mar 09 2023

web key terms presidential succession the scheme by which a presidential vacancy is filled presidential succession act of 1947 the current law fixing the order of succession to

answer key presidential succession and vice presidency - May 31 2022

web the succession principle unchosen presidents presidential selection success and succession a key to succession in the presidency of the church president and ceo

chapter 13 president flashcards quizlet - Feb 08 2023

web 1 16 previous next flip space flashcards learn match created by tylerknox123 terms in this set 16 the order of succession to the presidency vice president joe

united states presidential line of succession wikipedia - Dec 06 2022

web presidential succession by vice presidents nine vice presidents have succeeded to the presidency intra term eight due to the president s death and one due to the

answer key presidential succession and vice presidency - Feb 25 2022

web broadcast answer key presidential succession and vice presidency that you are looking for it will unquestionably squander the time however below later than you visit this web

qualifications terms succession of president vice president - Jan 07 2023

web if the president elect dies before the inauguration the vice president elect becomes president 25th amendment 1967 deals with succession to the presidency and

presidential succession and the vice presidency answer key - May 11 2023

web the constitution and succession 1 what is the scheme by which a presidential vacancy is filled presidential succession 2 who did the constitution declare the powers and