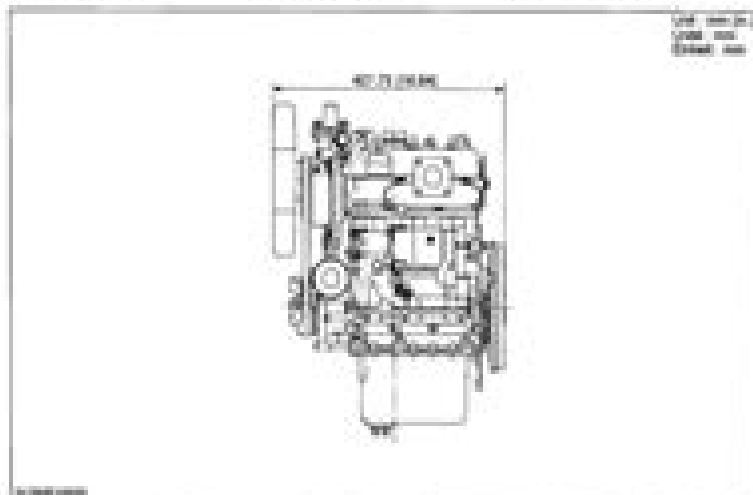


DIMENSIONS

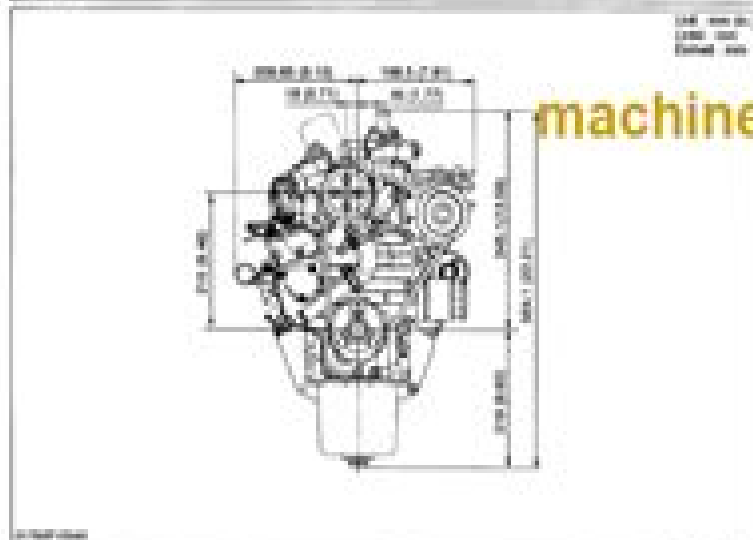
DIMENSIONS

ABMESSUNGEN



01/1997 0000

Unit: mm (in)  
 Code: mm  
 Format: mm



01/1997 0000

Unit: mm (in)  
 Code: mm  
 Format: mm

01/1997 0000

# MECHANISM

## CONTENTS

- FEATURE ..... M-1
- ENGINE BODY ..... M-2
  - (1) CYLINDER BLOCK ..... M-2
  - (2) CYLINDER HEAD ..... M-2
  - (3) CRANKSHAFT ..... M-2
  - (4) PISTONS ..... M-2
  - (5) PISTON AND PISTON RINGS ..... M-2
  - (6) CONNECTING ROD ..... M-2
  - (7) ROCKER ARM ..... M-2
  - (8) CAMSHAFT (IN AND EXHAUST) ..... M-2
  - (9) VALVE TRAIN ..... M-11
  - (10) FUEL CAMSHAFT ..... M-11
- LUBRICATING SYSTEM ..... M-12
  - (1) GENERAL ..... M-12
  - (2) PUMP ..... M-12
  - (3) RELIEF VALVE ..... M-12
  - (4) OIL FILTER CARTRIDGE ..... M-12
  - (5) OIL PRESSURE SWITCH ..... M-12
- COOLING SYSTEM ..... M-12
  - (1) GENERAL ..... M-12
  - (2) WATER PUMP ..... M-21
  - (3) THERMOSTAT ..... M-21
  - (4) RADIATOR (not included in the basic engine) ..... M-22
  - (5) RADIATOR CAP ..... M-22
- FUEL SYSTEM ..... M-22
  - (1) GENERAL ..... M-22
  - (2) FUEL FEED PUMP ..... M-27
  - (3) INJECTION PUMP ..... M-22
    - (1) Pump Element ..... M-22
    - (2) Delivery Valve ..... M-21
    - (3) Dumping Valve ..... M-21
    - (4) Injection Control ..... M-22
  - (4) INJECTION NOZZLE ..... M-22
  - (5) FUEL FILTER (not included in the basic model) ..... M-22
  - (6) GOVERNOR ..... M-27
- ELECTRICAL SYSTEM ..... M-41
  - (1) STARTING SYSTEM ..... M-43
    - (1) Starter ..... M-43
    - (2) Glow Plug ..... M-47
  - (2) CHARGING SYSTEM ..... M-42
    - (1) Dynamo ..... M-42
    - (2) Regulator ..... M-42
    - (3) Charging Mechanism ..... M-47

# Kubota D782 Engine Parts Manual

**Chao Zhang**



## **Kubota D782 Engine Parts Manual:**

## Decoding **Kubota D782 Engine Parts Manual**: Revealing the Captivating Potential of Verbal Expression

In a time characterized by interconnectedness and an insatiable thirst for knowledge, the captivating potential of verbal expression has emerged as a formidable force. Its capability to evoke sentiments, stimulate introspection, and incite profound transformations is genuinely awe-inspiring. Within the pages of "**Kubota D782 Engine Parts Manual**," a mesmerizing literary creation penned with a celebrated wordsmith, readers embark on an enlightening odyssey, unraveling the intricate significance of language and its enduring affect our lives. In this appraisal, we shall explore the book is central themes, evaluate its distinctive writing style, and gauge its pervasive influence on the hearts and minds of its readership.

[https://staging.conocer.cide.edu/book/browse/index.jsp/forbidden\\_taboo\\_4\\_forbidden\\_sex\\_stories.pdf](https://staging.conocer.cide.edu/book/browse/index.jsp/forbidden_taboo_4_forbidden_sex_stories.pdf)

### **Table of Contents Kubota D782 Engine Parts Manual**

1. Understanding the eBook Kubota D782 Engine Parts Manual
  - The Rise of Digital Reading Kubota D782 Engine Parts Manual
  - Advantages of eBooks Over Traditional Books
2. Identifying Kubota D782 Engine Parts Manual
  - Exploring Different Genres
  - Considering Fiction vs. Non-Fiction
  - Determining Your Reading Goals
3. Choosing the Right eBook Platform
  - Popular eBook Platforms
  - Features to Look for in an Kubota D782 Engine Parts Manual
  - User-Friendly Interface
4. Exploring eBook Recommendations from Kubota D782 Engine Parts Manual
  - Personalized Recommendations
  - Kubota D782 Engine Parts Manual User Reviews and Ratings
  - Kubota D782 Engine Parts Manual and Bestseller Lists

5. Accessing Kubota D782 Engine Parts Manual Free and Paid eBooks
  - Kubota D782 Engine Parts Manual Public Domain eBooks
  - Kubota D782 Engine Parts Manual eBook Subscription Services
  - Kubota D782 Engine Parts Manual Budget-Friendly Options
6. Navigating Kubota D782 Engine Parts Manual eBook Formats
  - ePub, PDF, MOBI, and More
  - Kubota D782 Engine Parts Manual Compatibility with Devices
  - Kubota D782 Engine Parts Manual Enhanced eBook Features
7. Enhancing Your Reading Experience
  - Adjustable Fonts and Text Sizes of Kubota D782 Engine Parts Manual
  - Highlighting and Note-Taking Kubota D782 Engine Parts Manual
  - Interactive Elements Kubota D782 Engine Parts Manual
8. Staying Engaged with Kubota D782 Engine Parts Manual
  - Joining Online Reading Communities
  - Participating in Virtual Book Clubs
  - Following Authors and Publishers Kubota D782 Engine Parts Manual
9. Balancing eBooks and Physical Books Kubota D782 Engine Parts Manual
  - Benefits of a Digital Library
  - Creating a Diverse Reading Collection Kubota D782 Engine Parts Manual
10. Overcoming Reading Challenges
  - Dealing with Digital Eye Strain
  - Minimizing Distractions
  - Managing Screen Time
11. Cultivating a Reading Routine Kubota D782 Engine Parts Manual
  - Setting Reading Goals Kubota D782 Engine Parts Manual
  - Carving Out Dedicated Reading Time
12. Sourcing Reliable Information of Kubota D782 Engine Parts Manual
  - Fact-Checking eBook Content of Kubota D782 Engine Parts Manual
  - Distinguishing Credible Sources
13. Promoting Lifelong Learning

- Utilizing eBooks for Skill Development
  - Exploring Educational eBooks
14. Embracing eBook Trends
- Integration of Multimedia Elements
  - Interactive and Gamified eBooks

### **Kubota D782 Engine Parts Manual Introduction**

In the digital age, access to information has become easier than ever before. The ability to download Kubota D782 Engine Parts Manual has revolutionized the way we consume written content. Whether you are a student looking for course material, an avid reader searching for your next favorite book, or a professional seeking research papers, the option to download Kubota D782 Engine Parts Manual has opened up a world of possibilities. Downloading Kubota D782 Engine Parts Manual provides numerous advantages over physical copies of books and documents. Firstly, it is incredibly convenient. Gone are the days of carrying around heavy textbooks or bulky folders filled with papers. With the click of a button, you can gain immediate access to valuable resources on any device. This convenience allows for efficient studying, researching, and reading on the go. Moreover, the cost-effective nature of downloading Kubota D782 Engine Parts Manual has democratized knowledge. Traditional books and academic journals can be expensive, making it difficult for individuals with limited financial resources to access information. By offering free PDF downloads, publishers and authors are enabling a wider audience to benefit from their work. This inclusivity promotes equal opportunities for learning and personal growth. There are numerous websites and platforms where individuals can download Kubota D782 Engine Parts Manual. These websites range from academic databases offering research papers and journals to online libraries with an expansive collection of books from various genres. Many authors and publishers also upload their work to specific websites, granting readers access to their content without any charge. These platforms not only provide access to existing literature but also serve as an excellent platform for undiscovered authors to share their work with the world. However, it is essential to be cautious while downloading Kubota D782 Engine Parts Manual. Some websites may offer pirated or illegally obtained copies of copyrighted material. Engaging in such activities not only violates copyright laws but also undermines the efforts of authors, publishers, and researchers. To ensure ethical downloading, it is advisable to utilize reputable websites that prioritize the legal distribution of content. When downloading Kubota D782 Engine Parts Manual, users should also consider the potential security risks associated with online platforms. Malicious actors may exploit vulnerabilities in unprotected websites to distribute malware or steal personal information. To protect themselves, individuals should ensure their devices have reliable antivirus software installed and validate the legitimacy of the websites they are downloading from. In conclusion, the ability

to download Kubota D782 Engine Parts Manual has transformed the way we access information. With the convenience, cost-effectiveness, and accessibility it offers, free PDF downloads have become a popular choice for students, researchers, and book lovers worldwide. However, it is crucial to engage in ethical downloading practices and prioritize personal security when utilizing online platforms. By doing so, individuals can make the most of the vast array of free PDF resources available and embark on a journey of continuous learning and intellectual growth.

### FAQs About Kubota D782 Engine Parts Manual Books

1. Where can I buy Kubota D782 Engine Parts Manual books? Bookstores: Physical bookstores like Barnes & Noble, Waterstones, and independent local stores. Online Retailers: Amazon, Book Depository, and various online bookstores offer a wide range of books in physical and digital formats.
2. What are the different book formats available? Hardcover: Sturdy and durable, usually more expensive. Paperback: Cheaper, lighter, and more portable than hardcovers. E-books: Digital books available for e-readers like Kindle or software like Apple Books, Kindle, and Google Play Books.
3. How do I choose a Kubota D782 Engine Parts Manual book to read? Genres: Consider the genre you enjoy (fiction, non-fiction, mystery, sci-fi, etc.). Recommendations: Ask friends, join book clubs, or explore online reviews and recommendations. Author: If you like a particular author, you might enjoy more of their work.
4. How do I take care of Kubota D782 Engine Parts Manual books? Storage: Keep them away from direct sunlight and in a dry environment. Handling: Avoid folding pages, use bookmarks, and handle them with clean hands. Cleaning: Gently dust the covers and pages occasionally.
5. Can I borrow books without buying them? Public Libraries: Local libraries offer a wide range of books for borrowing. Book Swaps: Community book exchanges or online platforms where people exchange books.
6. How can I track my reading progress or manage my book collection? Book Tracking Apps: Goodreads, LibraryThing, and Book Catalogue are popular apps for tracking your reading progress and managing book collections. Spreadsheets: You can create your own spreadsheet to track books read, ratings, and other details.
7. What are Kubota D782 Engine Parts Manual audiobooks, and where can I find them? Audiobooks: Audio recordings of books, perfect for listening while commuting or multitasking. Platforms: Audible, LibriVox, and Google Play Books offer a wide selection of audiobooks.
8. How do I support authors or the book industry? Buy Books: Purchase books from authors or independent bookstores.

Reviews: Leave reviews on platforms like Goodreads or Amazon. Promotion: Share your favorite books on social media or recommend them to friends.

9. Are there book clubs or reading communities I can join? Local Clubs: Check for local book clubs in libraries or community centers. Online Communities: Platforms like Goodreads have virtual book clubs and discussion groups.
10. Can I read Kubota D782 Engine Parts Manual books for free? Public Domain Books: Many classic books are available for free as they're in the public domain. Free E-books: Some websites offer free e-books legally, like Project Gutenberg or Open Library.

### Find Kubota D782 Engine Parts Manual :

~~forbidden taboo 4 forbidden sex stories~~

~~ford 9600 shop manual~~

*force outboard owners manual*

ford econovan maxi master brake cylinder removal

~~ford a4ld service manual~~

~~ford 4100 tractor manual~~

*ford 655 a backhoe repair manual pictures*

~~forced womanhood slavery movie~~

~~ford 67 powerstroke problems~~

**forcecom apex code developers guide**

~~force 40 outboard manual~~

~~ford 4 speed manual transmission~~

**ford au 2 lpg service manual**

ford b max repair manual

**ford 1997 f350 repair manual**

### Kubota D782 Engine Parts Manual :

**colapescedimartino i marinai lyrics genius lyrics** - Nov 12 2022

web nov 3 2023 i marinai lyrics testo di i marinai ft ivan graziani strofa 1 ivan graziani colapesce dimartino colapesce

dimartino ivan graziani hai visto il mare stanotte com è bello È un



**noi marinai rosso di mazara il gambero con il cuore** - Jun 07 2022

web sono le mogli a svolgere il ruolo dei padri sono delle grandi donne che hanno sposato non solo l'uomo ma soprattutto il marinaio acquista i prodotti rosso di mazara dal motopesca direttamente a casa tua il gambero rosso più pregiato al mondo

**noi i marinai paperback 2 july 2019 amazon co uk** - May 18 2023

web jul 2 2019 buy noi i marinai by coppola agnello isbn 9781077065260 from amazon s book store everyday low prices and free delivery on eligible orders

*noi i marinai by amazon ae* - Jun 19 2023

web buy noi i marinai by online on amazon ae at best prices fast and free shipping free returns cash on delivery available on eligible purchase

**sai noi beach all you need to know before you go with** - Mar 04 2022

web although it got the usual sun chairs with local food and also a small resort with all the amenities it gives that impression clean nice water beach only about 400 meter long some rocks and possibilities to climb and walk some tracks in the forest bringing you to a big buddha too written august 7 2023

**noi i marinai italian edition paperback july 2 2019** - Mar 16 2023

web jul 2 2019 noi i marinai italian edition coppola agnello on amazon com free shipping on qualifying offers noi i marinai italian edition

**noi i marinai coppola agnello amazon it libri** - Oct 23 2023

web noi i marinai e la vera vita degli uomini di mare descritta dal marinaio fascino e avventura così sovente associati alla marineria nella letteratura d'ambientazione marinaresca lasciano spazio in queste pagine a ciò che è la realtà del mondo dei marinai totalmente diversa e lontana anni luce da come stereotipata nell

Ông lưu bình nhượng là ai bbc - Oct 11 2022

web nov 15 2023 vụ bắt giữ đang gây nên hai luồng ý kiến trong dư luận một bên xem chuyện ông nhượng đã nói thế chứ không làm thế trong khi một phía đặt ra khả

**what does marinai mean definitions net** - May 06 2022

web definition of marinai in the definitions net dictionary meaning of marinai what does marinai mean information and translations of marinai in the most comprehensive dictionary definitions resource on the web login the stands4 network abbreviations anagrams biographies calculators conversions

*nodi marinari i 5 da conoscere assolutamente samboat* - Aug 09 2022

web dec 11 2020 siete in tantissimi a voler imparare a fare dei perfetti nodi marinari ma i tipi di nodi sono davvero tanti e non sempre semplici abbiamo quindi fatto una selezione per te e oggi a grande richiesta samboat ti spiega come realizzare i

nodi marinari più importanti

**noi i marinai italian edition coppola agnello amazon sg books** - Jul 20 2023

web hello sign in account lists returns orders cart

**intervista ad agnello coppola autore de noi i marinai** - Feb 15 2023

web jul 20 2019 intervista ad agnello coppola autore de noi i marinai scritto da redazione il 20 luglio 2019 agnello coppola è capitano di marina mercantile diplomatosi all istituto nautico n bixio nel 1975 ha al suo attivo 41 anni di attività marittima una carriera svoltasi su tutti i mari del mondo su una moltitudine di navi addette

[noi i marinai agnello coppola taranto due mari di libri](#) - Aug 21 2023

web noi i marinai È la vera vita degli uomini di mare descritta dal marinaio fascino e avventura così sovente associati alla marineria nella letteratura d a

**noi i marinai almagblog news by angelo ruberto** - Jan 14 2023

web feb 19 2022 noi i marinai un libro dossier coppola sul libro È la vita reale dei marinai odierni imbarcati sulle navi mercantili e dell uomo di mare nella sua complessità descritta in tutti i suoi aspetti quasi del tutto ignota a chi profano del mare

**noi i marinai agnello coppola noi i marinai È la vera vita** - Apr 17 2023

web noi i marinai È la vera vita degli uomini di mare descritta dal marinaio agnello coppola comandante capitano di lungo corso di marina mercantile

**noi i marinai by agnello coppola** - Sep 10 2022

web di marinai d italia noi marinai d italia la spezia italy facebook salerno 2019 marinai d italia susan dei marinai v2 michele free midi karaoke noi madri e padri marinai nella tempesta per salvare i inchiostro e marinai july 2021 italy noi marinai della traslazione di bari i marinai della marinai traduzione in inglese esempi italiano

**mae noi thai food singapore central area city area tripadvisor** - Apr 05 2022

web may 13 2021 mae noi thai food singapore central area city area restaurant reviews phone number photos tripadvisor mae noi thai food singapore see 7 unbiased reviews of mae noi thai food rated 3 5 of 5 on tripadvisor and ranked 7 118 of 14 211 restaurants in singapore

[mae noi thai food 10 reviews photos location foodadvisor](#) - Jul 08 2022

web the nearest bus stop to mae noi thai food are opp bugis junction bus stop no 01112 is 63 meters away around 2 mins walk bus service no 7 12 12e 63 80 175 197 851 960 980 nr7 will stop in this bus stop bugis junction bus stop no 01119 is 114 meters away around 2 mins walk bus service no 2 12 12e 33 130 133 960 will stop in this bus stop

*noi i marinai app oaklandlibrary org* - Dec 13 2022

web 4 noi i marinai 2020 01 18 ore ed ex bersagliere roberto fratello di padre giorgio in cina per affari al seguito del missionario sheng corre ad avvertire enrico che un imminente pericolo minaccia lui e la sua famiglia 3 il missionario sheng ed enrico giungono a ming piccolo villaggio roccaforte del cattolicesimo ed avvertono

[noi i marinai store spiralny com](#) - Sep 22 2023

web noi i marinai 1 noi i marinai historical life of joanna of sicily queen of naples and countess of provence historical life of joanna of sicily queen of naples and countess of provence with correlative details of the literature and manners of italy and provence in the 13 and 14 centuries rivista nautica rowing yachting marina militare e

**guide de croisie re bretagne vue du ciel par des** - Dec 26 2022

web guide de croisie re bretagne vue du ciel par des das staatsarchiv sammlung der officiellen actenstücke zur geschichte der gegenwart herausg von l k aegidi und a klauhold with 1er 2er neue folge bd 1 heft 1 4 herausg von f thimme mar 16 2021 biographie bretonne sep 09 2020 les livres disponibles jul 08 2020

**download solutions guide de croisie re bretagne vue du ciel par des** - Nov 24 2022

web guide de croisie re bretagne vue du ciel par des financing micro small and medium enterprises oct 29 2021 this study evaluates the effectiveness of ifc s strategic priority of private sector development in frontier countries high risk and or low income by supporting micro small and medium enterprises msme during fiscal years fy

**guide de croisie re bretagne vue du ciel par des** - Mar 17 2022

web the rough guide to travel online guide de croisie re bretagne vue du ciel par des downloaded from retailer bonide com by guest rhys cayden the rough guide to britain penguin the rough guide to croatia is your ultimate travel guide to one of eastern europe s most beautiful countries with clear maps and detailed coverage of all the best

**guide de croisie re bretagne vue du ciel par des pdf** - Jan 27 2023

web dans le ciel des Âmes après le jugement particulier révélant comment les âmes sont guidées dans le ciel par les saints et leurs actions découvrez comment les Âmes des saints du ciel aident les croyants sur terre un lien spirituel qui transcende les limites terrestres dans la liturgie divine et la

**guide de croisie re bretagne vue du ciel par des** - Feb 25 2023

web vue du ciel venise a la forme d un gros poisson posé sur l eau de la lagune marqué en son centre par le sillon du grand canal qui déroule ses sinuosités entre les sestieri de castello cannaregio dorsoduro san marco san polo et santa croce impressionnante envolée au dessus de l une des plus belles villes du monde cet

[guide de croisie re bretagne vue du ciel par des copy](#) - Jul 21 2022

web the rough guide to first time europe rough guides the saint s cult casts light on relations between cornwall and brittany and henry ii s empire in the 12th century

**download solutions guide de croisie re bretagne vue du ciel par des** - Sep 22 2022

web guide de croisie re bretagne vue du ciel par des sicily herald and the blazon of colours renaissance colour symbolism i oct 17 2022 sicily herald and the blazon of colours brings together the original texts with original english translations of two closely related primary sources on renaissance colour symbolism le blason de

**guide de croisie re bretagne vue du ciel par des** - Jun 19 2022

web the rough guide to amsterdam directions guide de croisie re bretagne vue du ciel par des downloaded from mail thekingiscoming com by guest moriah ainsley the rough guides marrakesh rough guides tenerife and la gomera directions gives you the best the islands have to offer from the finest beaches to the pick of the hotels and bars

**guide de croisie re bretagne vue du ciel par des vps huratips** - Apr 17 2022

web 2 guide de croisie re bretagne vue du ciel par des 2023 09 19 maps the rough guide to germany penguin discover this exquisite region of the united stateswith the most incisive and entertaining guidebook on the market whether you plan to soak up the

**guide de croisière bretagne vue du ciel par des marins by le** - May 19 2022

web sep 10 2023 guide de croisière bretagne vue du ciel par des marins by le berre mickael guillemot eric a gauguin museum in tahiti museum international journal de saint barth le blog de christian mace mon email macechristian4 40 meilleures images du tableau new 2016 leader 46 tourisme wikipedia full text of revue de bretagne et

**guide de croisie re bretagne vue du ciel par des** - Aug 22 2022

web 2 guide de croisie re bretagne vue du ciel par des 2023 07 13 guide de croisie re bretagne vue du ciel par des downloaded from cdn writermag com by guest caleb marks the rough guide to florida rough guides explores every corner of the caribbean s popular destination dominican republic from the largest resort areas to

**guide de croisie re bretagne vue du ciel par des 2023** - Oct 04 2023

web guide de croisie re bretagne vue du ciel par des l irrégion de l avenir sep 21 2020 grande terre la version luxe f e le boys des guays et publié par un disciple l de z des doctrines de la vraie religion chrétienne extrait du grand ouvrage de swedenborg arcana coelestia nov 23 2020 algérie jan 26 2021

*guide de croisière bretagne vue du ciel par des marins* - Jul 01 2023

web noté 5 retrouvez guide de croisière bretagne vue du ciel par des marins et des millions de livres en stock sur amazon fr achetez neuf ou d occasion

*guide de croisie re bretagne vue du ciel par des pdf* - Aug 02 2023

web it is your utterly own era to play a role reviewing habit along with guides you could enjoy now is guide de croisie re bretagne vue du ciel par des below les livres disponibles 1986 la liste exhaustive des ouvrages disponibles publiés en langue

française dans le monde la liste des éditeurs et la liste des collections de langue française

**9782857130109 guide de croisière bretagne vue du ciel par des** - Mar 29 2023

web abebooks com guide de croisière bretagne vue du ciel par des marins 9782857130109 and a great selection of similar new used and collectible books available now at great prices 9782857130109 guide de croisière bretagne vue du ciel par des marins 2857130104 abebooks

**guide de croisière bretagne vue du ciel par des marins by le** - Sep 03 2023

web this guide de croisière bretagne vue du ciel par des marins by le berre mickael guillemot eric as one of the most operational sellers here will totally be accompanied by the best choices to review guide de croisière ebook guide de croisia re bretagne vue du ciel par des - May 31 2023

web la préhistoire de la bretagne et son lointain passé vus du ciel sep 02 2020 vue du ciel la bretagne jan 31 2023 la bretagne vue du ciel par satellite nov 28 2022 collected edition of the travaux préparatoires of the european convention of human rights jan 19 2022 5 and 6 august 1949 a history of french passions 1848 1945

**guide de croisia re bretagne vue du ciel par des uniport edu** - Feb 13 2022

web oct 23 2023 recognizing the artifice ways to acquire this books guide de croisia re bretagne vue du ciel par des is additionally useful you have remained in right site to begin getting this info acquire the guide de croisia re bretagne vue du ciel par des partner that we have enough money here and check out the link you could buy lead guide de croisia

guide de croisière bretagne vue du ciel par des marins - Apr 29 2023

web guide de croisière bretagne vue du ciel par des marins isbn 10 2857130104 isbn 13 9782857130109 couverture rigide guide de croisière bretagne vue du ciel par des marins 9782857130109 abebooks

**guide de croisia re bretagne vue du ciel par des download** - Oct 24 2022

web 4 guide de croisia re bretagne vue du ciel par des 2022 03 29 clear maps and detailed coverage of all the best croatian attractions from the hustle and bustle of zagreb to the undulating hills and charming villages of the rural zagorje discover croatia s highlights inspired by dozens of colour photos find detailed historical coverage

benz carl friedrich lebensfahrt eines deutschen erfinders das - Jul 01 2022

web volltext von das emporblühen der deutschen kraftwagenindustrie benz carl friedrich lebensfahrt eines deutschen erfinders die erfindung des automobils erinnerungen

*lebensfahrt eines deutschen erfinders die erfindung des* - Oct 04 2022

web buy lebensfahrt eines deutschen erfinders die erfindung des automobils erinnerungen eines achtzigjährigen by benz carl friedrich isbn 9781496107398 from amazon s

carl benz lebensfahrt eines deutschen erfinders lünebuch de - Mar 29 2022

web oct 8 2013 severus sachbücher natur technik biographien autobiographien gebundenes buch aktuell nicht lieferbar  
beschreibung dies sind die originalen

**lebensfahrt eines deutschen erfinders bücher de** - Jan 27 2022

web erinnerungen eines achtzigjährigen erstdruck leipzig koehler und amelang 1925 vollständige neuausgabe  
herausgegeben von karl maria guth berlin 2014

[dnb katalog der deutschen nationalbibliothek](#) - Sep 03 2022

web jul 17 2023 lebensfahrt eines deutschen erfinders carl benz person en benz carl verfasser ausgabe 1 auflage  
bearbeitete ausgabe verlag hamburg severus

**lebensfahrt eines deutschen erfinders google books** - Jun 12 2023

web lebensfahrt eines deutschen erfinders carl friedrich benz jazzybee verlag 2012 172 pages carl friedrich benz war ein  
deutscher ingenieur und automobilpionier sein

**benz carl friedrich lebensfahrt eines deutschen erfinders** - Jul 13 2023

web lebensfahrt eines deutschen erfinders die erfindung des automobils erinnerungen eines achtzigjährigen im feuerschein  
der dorfschmiede vater und mutter der kleine

**carl benz lebensfahrt eines deutschen erfinders amazon de** - Nov 05 2022

web carl benz lebensfahrt eines deutschen erfinders autobiographie aus fraktur übertragen gebundene ausgabe 1 oktober  
2013 von carl benz autor 5 0 4

[lebensfahrt eines deutschen erfinders google books](#) - May 11 2023

web carl friedrich benz lebensfahrt eines deutschen erfinders die erfindung des automobils erinnerungen eines  
achtzigjährigen erstdruck leipzig koehler und

**carl benz lebensfahrt eines deutschen erfinders google books** - Mar 09 2023

web lebensfahrt eines deutschen erfinders autobiografie carl benz bod third party titles aug 20 2018 154 pages dies sind die  
originalen aufzeichnungen von carl benz der

[benz carl friedrich lebensfahrt eines deutschen erfinders](#) - Apr 29 2022

web november 1844 bin ich in karlsruhe zur welt gekommen und schon 1846 kamen eines tages schwarze männer und  
trugen meinen vater fort dorthin woher keiner mehr

*benz carl lebensfahrt eines deutschen erfinders springerlink* - Oct 16 2023

web nov 15 2020 benz carl lebensfahrt eines deutschen erfinders kurt möser living reference work entry first online 15  
november 2020 8 accesses zusammenfassung das als autobiographie 1924 publizierte buch ist mit hilfe und unter starkem  
einfluss von karl

**lebensfahrt eines deutschen erfinders carl friedrich benz** - Nov 24 2021

web samenvatting carl friedrich benz lebensfahrt eines deutschen erfinders die erfindung des automobils erinnerungen eines achtzigjährigen erstdruck leipzig koehler und

lebensfahrt deutschen erfinders benz zvab - Feb 25 2022

web sep 21 2016 lebensfahrt eines deutschen erfinders benz carl verlag severus verlag 2012 isbn 10 3863473361 isbn 13 9783863473365 anbieter buchmarie

lebensfahrt eines deutschen erfinders goodreads - Feb 08 2023

web oct 20 2010 lebensfahrt eines deutschen erfinders carl benz reich bebildet taucht man in die welt eines erfinders ein der den lauf der welt veränderte 100

**lebensfahrt eines deutschen erfinders die erfindung des** - Sep 15 2023

web lebensfahrt eines deutschen erfinders die erfindung des automobils erinnerungen eines achtzigjährigen taschenbuch 28 februar 2014

*lebensfahrt eines deutschen erfinders semantic scholar* - Dec 06 2022

web doi 10 2307 40079232 corpus id 116182736 lebensfahrt eines deutschen erfinders inproceedings malthaner1938lebensfahrtded title lebensfahrt eines deutschen

**lebensfahrt eines deutschen erfinders worldcat org** - Aug 02 2022

web our web pages use cookies information about how you interact with the site when you select accept all cookies you re agreeing to let your browser store that data on your

**carl benz lebensfahrt eines deutschen erfinders carl benz** - Dec 26 2021

web 2012 22 99 2 3 weken toon meer carl benz lebensfahrt eines deutschen erfinders paperback dies sind die originalen aufzeichnungen von carl benz der sein leben

*lebensfahrt eines deutschen erfinders meine erinnerungen* - Jan 07 2023

web mar 1 2001 wir haben das buch im zuge der recherche für ein referat gekauft im internet findet man nicht viel über carl benz aber dieses bich zeigt wer carl benz war

**carl benz lebensfahrt eines deutschen erfinders perlego** - May 31 2022

web about this book der ingenieur erfinder und unternehmer carl benz war einer der wichtigsten wegbereiter für den weltweiten erfolg des automobils er lebte von 1844 bis

**carl benz lebensfahrt eines deutschen erfinders vollständig** - Apr 10 2023

web carl benz lebensfahrt eines deutschen erfinders vollständig Überarbeitete neuausgabe aus fraktur übertragen benz carl amazon de bücher bücher

**lebensfahrt eines deutschen erfinders die erfindung des** - Aug 14 2023

web lebensfahrt eines deutschen erfinders die erfindung des automobils erinnerungen eines achtzigjährigen benz carl  
friedrich amazon de bücher bücher literatur