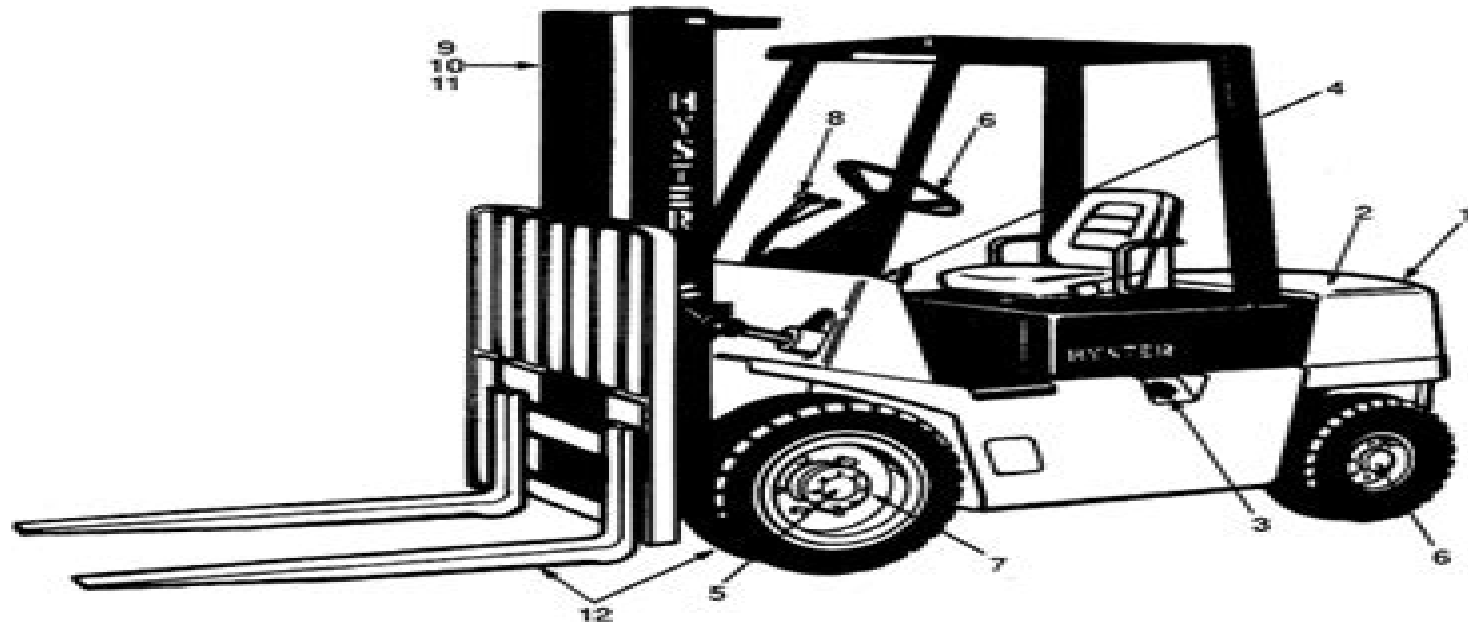




ILLUSTRATED CONTENTS



REF	SECTION	PAGE
1	Frame	11
2	Engine	21
3	Fuel	87
4	Electrical	121
5	Transmission	155
6	Steering	173
7	Brake	185
8	Hydraulic	201
9	Mast-Vista Two-Stage Limited Free Lift	225
10	Mast-Vista Three-Stage Full Free Lift	235
11	Mast-Vista Two-Stage Full Free-Lift	251
12	Optional Equipment	265
13	Numerical Index	307

Hyster Challenger 50 Forklift User Manual

TD Snyder



Hyster Challenger 50 Forklift User Manual:

Concrete Industries Yearbook ,1960 Proceedings Australian Road Research Board,1982 *The Dock and Harbour Authority* ,1983 Mechanical Handling International ,1975 MH. ,1973 Proceedings [of the Conference]. Australian Road Research Board,1982 **Cassier's Industrial Management and Mechanical Handling** ,1975 **Diesel Progress North American** ,1981 Western Construction ,1973 *Advanced Composites Engineering* ,1986

Materials Handling News ,1991 Machinery Market ,1963 **Contract Journal** ,1962 *The Northern Logger and Timber Processor* ,1990 **Farmers and Consumers Market Bulletin** ,2011 *1998 Directory of California Wholesalers and Service Companies* ,1998 **Ward's Business Directory of U.S. Private and Public Companies** ,1990

This multi volume set is a primary source for basic company and industry information Names addresses SIC code and geographic location of over 135 000 U S companies are included Highway & Heavy Construction ,1976 *Industrial Marketing* ,1982 **The Commercial Motor** ,1980

Uncover the mysteries within Crafted by is enigmatic creation, Discover the Intrigue in **Hyster Challenger 50 Forklift User Manual** . This downloadable ebook, shrouded in suspense, is available in a PDF format (Download in PDF: *). Dive into a world of uncertainty and anticipation. Download now to unravel the secrets hidden within the pages.

https://staging.conocer.cide.edu/book/publication/Download_PDFS/historia_verdadera_de_la_conquista_de_la_nueva_espana_5_pb_2002.pdf

Table of Contents Hyster Challenger 50 Forklift User Manual

1. Understanding the eBook Hyster Challenger 50 Forklift User Manual
 - The Rise of Digital Reading Hyster Challenger 50 Forklift User Manual
 - Advantages of eBooks Over Traditional Books
2. Identifying Hyster Challenger 50 Forklift User Manual
 - Exploring Different Genres
 - Considering Fiction vs. Non-Fiction
 - Determining Your Reading Goals
3. Choosing the Right eBook Platform
 - Popular eBook Platforms
 - Features to Look for in an Hyster Challenger 50 Forklift User Manual
 - User-Friendly Interface
4. Exploring eBook Recommendations from Hyster Challenger 50 Forklift User Manual
 - Personalized Recommendations
 - Hyster Challenger 50 Forklift User Manual User Reviews and Ratings
 - Hyster Challenger 50 Forklift User Manual and Bestseller Lists
5. Accessing Hyster Challenger 50 Forklift User Manual Free and Paid eBooks
 - Hyster Challenger 50 Forklift User Manual Public Domain eBooks
 - Hyster Challenger 50 Forklift User Manual eBook Subscription Services
 - Hyster Challenger 50 Forklift User Manual Budget-Friendly Options

6. Navigating Hyster Challenger 50 Forklift User Manual eBook Formats
 - ePub, PDF, MOBI, and More
 - Hyster Challenger 50 Forklift User Manual Compatibility with Devices
 - Hyster Challenger 50 Forklift User Manual Enhanced eBook Features
7. Enhancing Your Reading Experience
 - Adjustable Fonts and Text Sizes of Hyster Challenger 50 Forklift User Manual
 - Highlighting and Note-Taking Hyster Challenger 50 Forklift User Manual
 - Interactive Elements Hyster Challenger 50 Forklift User Manual
8. Staying Engaged with Hyster Challenger 50 Forklift User Manual
 - Joining Online Reading Communities
 - Participating in Virtual Book Clubs
 - Following Authors and Publishers Hyster Challenger 50 Forklift User Manual
9. Balancing eBooks and Physical Books Hyster Challenger 50 Forklift User Manual
 - Benefits of a Digital Library
 - Creating a Diverse Reading Collection Hyster Challenger 50 Forklift User Manual
10. Overcoming Reading Challenges
 - Dealing with Digital Eye Strain
 - Minimizing Distractions
 - Managing Screen Time
11. Cultivating a Reading Routine Hyster Challenger 50 Forklift User Manual
 - Setting Reading Goals Hyster Challenger 50 Forklift User Manual
 - Carving Out Dedicated Reading Time
12. Sourcing Reliable Information of Hyster Challenger 50 Forklift User Manual
 - Fact-Checking eBook Content of Hyster Challenger 50 Forklift User Manual
 - Distinguishing Credible Sources
13. Promoting Lifelong Learning
 - Utilizing eBooks for Skill Development
 - Exploring Educational eBooks
14. Embracing eBook Trends
 - Integration of Multimedia Elements

- Interactive and Gamified eBooks

Hyster Challenger 50 Forklift User Manual Introduction

Free PDF Books and Manuals for Download: Unlocking Knowledge at Your Fingertips In today's fast-paced digital age, obtaining valuable knowledge has become easier than ever. Thanks to the internet, a vast array of books and manuals are now available for free download in PDF format. Whether you are a student, professional, or simply an avid reader, this treasure trove of downloadable resources offers a wealth of information, conveniently accessible anytime, anywhere. The advent of online libraries and platforms dedicated to sharing knowledge has revolutionized the way we consume information. No longer confined to physical libraries or bookstores, readers can now access an extensive collection of digital books and manuals with just a few clicks. These resources, available in PDF, Microsoft Word, and PowerPoint formats, cater to a wide range of interests, including literature, technology, science, history, and much more. One notable platform where you can explore and download free Hyster Challenger 50 Forklift User Manual PDF books and manuals is the internet's largest free library. Hosted online, this catalog compiles a vast assortment of documents, making it a veritable goldmine of knowledge. With its easy-to-use website interface and customizable PDF generator, this platform offers a user-friendly experience, allowing individuals to effortlessly navigate and access the information they seek. The availability of free PDF books and manuals on this platform demonstrates its commitment to democratizing education and empowering individuals with the tools needed to succeed in their chosen fields. It allows anyone, regardless of their background or financial limitations, to expand their horizons and gain insights from experts in various disciplines. One of the most significant advantages of downloading PDF books and manuals lies in their portability. Unlike physical copies, digital books can be stored and carried on a single device, such as a tablet or smartphone, saving valuable space and weight. This convenience makes it possible for readers to have their entire library at their fingertips, whether they are commuting, traveling, or simply enjoying a lazy afternoon at home. Additionally, digital files are easily searchable, enabling readers to locate specific information within seconds. With a few keystrokes, users can search for keywords, topics, or phrases, making research and finding relevant information a breeze. This efficiency saves time and effort, streamlining the learning process and allowing individuals to focus on extracting the information they need. Furthermore, the availability of free PDF books and manuals fosters a culture of continuous learning. By removing financial barriers, more people can access educational resources and pursue lifelong learning, contributing to personal growth and professional development. This democratization of knowledge promotes intellectual curiosity and empowers individuals to become lifelong learners, promoting progress and innovation in various fields. It is worth noting that while accessing free Hyster Challenger 50 Forklift User Manual PDF books and manuals is convenient and cost-effective, it is vital to respect copyright laws and intellectual property rights. Platforms offering free

downloads often operate within legal boundaries, ensuring that the materials they provide are either in the public domain or authorized for distribution. By adhering to copyright laws, users can enjoy the benefits of free access to knowledge while supporting the authors and publishers who make these resources available. In conclusion, the availability of Hyster Challenger 50 Forklift User Manual free PDF books and manuals for download has revolutionized the way we access and consume knowledge. With just a few clicks, individuals can explore a vast collection of resources across different disciplines, all free of charge. This accessibility empowers individuals to become lifelong learners, contributing to personal growth, professional development, and the advancement of society as a whole. So why not unlock a world of knowledge today? Start exploring the vast sea of free PDF books and manuals waiting to be discovered right at your fingertips.

FAQs About Hyster Challenger 50 Forklift User Manual Books

How do I know which eBook platform is the best for me? Finding the best eBook platform depends on your reading preferences and device compatibility. Research different platforms, read user reviews, and explore their features before making a choice. Are free eBooks of good quality? Yes, many reputable platforms offer high-quality free eBooks, including classics and public domain works. However, make sure to verify the source to ensure the eBook credibility. Can I read eBooks without an eReader? Absolutely! Most eBook platforms offer webbased readers or mobile apps that allow you to read eBooks on your computer, tablet, or smartphone. How do I avoid digital eye strain while reading eBooks? To prevent digital eye strain, take regular breaks, adjust the font size and background color, and ensure proper lighting while reading eBooks. What the advantage of interactive eBooks? Interactive eBooks incorporate multimedia elements, quizzes, and activities, enhancing the reader engagement and providing a more immersive learning experience. Hyster Challenger 50 Forklift User Manual is one of the best book in our library for free trial. We provide copy of Hyster Challenger 50 Forklift User Manual in digital format, so the resources that you find are reliable. There are also many Ebooks of related with Hyster Challenger 50 Forklift User Manual. Where to download Hyster Challenger 50 Forklift User Manual online for free? Are you looking for Hyster Challenger 50 Forklift User Manual PDF? This is definitely going to save you time and cash in something you should think about. If you trying to find then search around for online. Without a doubt there are numerous these available and many of them have the freedom. However without doubt you receive whatever you purchase. An alternate way to get ideas is always to check another Hyster Challenger 50 Forklift User Manual. This method for see exactly what may be included and adopt these ideas to your book. This site will almost certainly help you save time and effort, money and stress. If you are looking for free books then you really should consider finding to assist you try this. Several of Hyster Challenger 50 Forklift User Manual are for sale to free while some are payable. If you arent sure if the books you would like to download works with

for usage along with your computer, it is possible to download free trials. The free guides make it easy for someone to free access online library for download books to your device. You can get free download on free trial for lots of books categories. Our library is the biggest of these that have literally hundreds of thousands of different products categories represented. You will also see that there are specific sites catered to different product types or categories, brands or niches related with Hyster Challenger 50 Forklift User Manual. So depending on what exactly you are searching, you will be able to choose e books to suit your own need. Need to access completely for Campbell Biology Seventh Edition book? Access Ebook without any digging. And by having access to our ebook online or by storing it on your computer, you have convenient answers with Hyster Challenger 50 Forklift User Manual To get started finding Hyster Challenger 50 Forklift User Manual, you are right to find our website which has a comprehensive collection of books online. Our library is the biggest of these that have literally hundreds of thousands of different products represented. You will also see that there are specific sites catered to different categories or niches related with Hyster Challenger 50 Forklift User Manual So depending on what exactly you are searching, you will be able to choose ebook to suit your own need. Thank you for reading Hyster Challenger 50 Forklift User Manual. Maybe you have knowledge that, people have search numerous times for their favorite readings like this Hyster Challenger 50 Forklift User Manual, but end up in harmful downloads. Rather than reading a good book with a cup of coffee in the afternoon, instead they juggled with some harmful bugs inside their laptop. Hyster Challenger 50 Forklift User Manual is available in our book collection an online access to it is set as public so you can download it instantly. Our digital library spans in multiple locations, allowing you to get the most less latency time to download any of our books like this one. Merely said, Hyster Challenger 50 Forklift User Manual is universally compatible with any devices to read.

Find Hyster Challenger 50 Forklift User Manual :

~~historia verdadera de la conquista de la nueva espana 5 pb 2002~~

~~his majestys elephant~~

~~*historia abreviada de la literatura portatil*~~

~~histoire des moines chanoines et religieux au moyen age guide de recherche et documents~~

histoire de lempire normand et de sa

~~hildegard von bingen spricht zu uns aber das medium koni ehrhardt mediale schrift~~

~~historic preservation of engineering works~~

hippocratic oath and the ethics of medicine

~~histoires illustrees free composition in~~

hire tough manage easy how to find hire the best hourly employees

hillside gardening designing views and planting slopes

~~hildegard of bingen woman of vision~~

~~hippocrates latin american legacy~~

~~hilda boswells treasury of nursery rhymes~~

hiroshima bomb to grand peace fifty years 19451995 with the atom

Hyster Challenger 50 Forklift User Manual :

macroeconomics practice final exam answers studocu - Sep 04 2022

web macroeconomics practice final exam answers economic business cycles are mainly driven by shock s in government expenditures a false economic business cycles are explained by i real business cycle theory emphasizes changes in

final paper answer key principles of macroeconomics docsity - Jul 02 2022

web professor laincz class principles of macroeconomics subject economics university drexel university term unknown 1989 final paper answer key principles of

sample exam questions university of california berkeley - Jul 14 2023

web feb 21 2018 a multiple choice circle the best answer to n of the following n 1 questions note if you wish you may add a brief explanation of your answer to at most one question in that case your grade on that question will be based on your answer and explanation together this means that an explanation can either raise or lower a grade

final exam with answer key principles of macroeconomics - Apr 11 2023

web sep 17 2009 download exams final exam with answer key principles of macroeconomics econ 202 west virginia university wvu material type exam professor douglas class principles of macroeconomics

macroeconomics economics khan academy - Jan 28 2022

web macroeconomics is about whole economies what is gdp why does the economy boom and bust how is the government involved we hit the traditional topics from a college level macroeconomics course

intro to macroeconomics final exam flashcards quizlet - Jan 08 2023

web the system of financial markets and financial intermediaries through which firms acquire funds from households financial markets markets where financial securities such as stocks and bonds are bought and sold bond a certificate of debt usually interest bearing or discounted that is issued by a government or corporation in order to raise

exam questions and answers a name studocu - Mar 10 2023

web introduction to macroeconomics eco1102 356 documents students shared 356 documents in this course questions and answers eco 1102 final 2 practice midterm winter 2019 questions and answers exam questions and answers midterm exam

29 october fall 2018 questions and answers chapter 15 question money and the
economics 102 macroeconomics final exam study com - May 12 2023

web economics 102 macroeconomics final exam free practice test instructions choose your answer to the question and click
continue to see how you did then click next question to answer

macroeconomics practice exam ap central - Feb 26 2022

web macroeconomics practice exam from the 2012 administration this practice exam is provided by the college board for ap
exam preparation exams may not be posted on school or personal websites nor electronically redistributed for any reason

80 solved multiple choice questions on economics final exam - Oct 05 2022

web download 80 solved multiple choice questions on economics final exam econom 1015 and more introduction to
macroeconomics exams in pdf only on docsity sp11 econ1015 practice final 1 solution ta solution

intro to economics practice test questions final exam - Jun 01 2022

web test and improve your knowledge of intro to economics with fun multiple choice exams you can take online with study
com

final exam b with answers introduction to macroeconomics - Feb 09 2023

web may 9 2010 material type exam professor self class intro to macroeconomics subject economics university indiana
university bloomington term fall 2008 final exam b with answers introduction to macroeconomics econ

macroeconomics old tests austin community college district - Apr 30 2022

web exam 1 recent examples spring 11 fall 06 spring 04 fall 04 fall 03 exam 2 recent examples spring 11 test with key key
contains errors and audio discussion fall 09 test with key audio discussion fall 07 spring 05 fall 04 exam 3 comprehensive
exams except as noted spring 11 test with key fall 2010 exam audio discussion

macroeconomics practice quiz questions and answers - Mar 30 2022

web jul 31 2023 check out these macroeconomics practice quiz questions and answers and test your knowledge for the
same macroeconomics is the field of economics that deals with the performances structure behavior and decision making of
economies as a whole

exams for introduction to macroeconomics management docsity - Dec 07 2022

web looking for exams in introduction to macroeconomics download now thousands of exams in introduction to
macroeconomics on docsity exams for introduction to macroeconomics management docsity prepare for your exams get
points guidelines and tips earn on docsity new prepare for your exams study with the several resources

macroeconomics definition meaning concepts example importance byju s - Dec 27 2021

web what is macroeconomics macroeconomics is a branch of economics that depicts a substantial picture it scrutinises itself

with the economy at a massive scale and several issues of an economy are considered the issues confronted by an economy and the headway that it makes are measured and apprehended as a part and parcel of

final questions and answers answer key to final exam 1 - Aug 03 2022

web ppl practice exam chapter 1 adms 2610 summary contemporary canadian business law final exam notes clas 104

modules lecture notes 1 19 copy of case 1 did info systems cause deutsche bank to stumble trending international business multiple choice questions with answers test bank chapter 1 management information

oxford university press online resource centre multiple - Aug 15 2023

web introduction to macroeconomics chapter 18 the national accounts chapter 19 gdp and the multiplier model chapter 20

money banks and interest rates chapter 21 gdp and prices the as ad model chapter 22 unemployment chapter 23 inflation

and unemployment chapter 24 business cycles chapter 25 economic growth chapter

introduction to macroeconomics help and review final exam - Jun 13 2023

web introduction to macroeconomics help and review final exam free practice test instructions choose your answer to the question and click continue to see how you did then click next

introduction macroeconomics final exams with answers - Nov 06 2022

web and knowledge with exam style questions and frequent questions with answer guidance online understand key terms you will need for the exam with user friendly definitions and a glossary build quick recall with bullet pointed summaries at the end of each chapter

the night before christmas miniature edition the classic - Feb 18 2022

web oct 25 2023 by carlos aguilar oct 25 2023 what s this jack skellington sings excitedly when he first comes across santa claus s snowy colorful village in the

the night before christmas board book the classic edition - Mar 22 2022

web oct 31 2023 conniving sidekicks lock shock and barrel kidnap mr sandy claws with devilish glee halfway through the nightmare before christmas dressed as demented

the night before christmas the classic edition the - Aug 07 2023

web oct 28 2017 perfectly capturing the memorable charm of clement c moore s iconic poem charles santore lends his artwork of fantastical splendor to tell the tale of saint nick s

the night before christmas classic edition goodreads - Apr 03 2023

web the night before christmas the classic edition kids book from the leading digital reading platform with a collection of 40 000 books from 250 of the world s best

the nightmare before christmas a hit that initially unnerved - Dec 19 2021

the night before christmas hardcover the classic edition the - Jul 26 2022

web oct 31 2017 the night before christmas is an enchanting christmas story that has brought santa claus to life for generations celebrate the 200 th anniversary of the

the night before christmas the classic edition the new york - Feb 01 2023

web oct 11 2011 home1 kids books2 the night before christmas the classic edition 48 by clement moore charles santore illustrator clement moore view more editorial

the night before christmas ebook the classic edition the - Jul 06 2023

web may 3 2022 audiobook 0 00 free with your audible trial the night before christmas is an enchanting christmas story that has brought santa claus to life for generations

the night before christmas board book the classic edition - Apr 22 2022

web the night before christmas is an enchanting christmas story that has brought santa claus to life for generations celebrate the holiday season with this 1 new york times

how nightmare before christmas went from cult classic to - Jan 20 2022

web jan 27 2008 classic pc games software library top kodi archive and support file vintage software apk ms dos cd rom software cd rom software library

the night before christmas penguin random house - Jun 24 2022

web the night before christmas is an enchanting christmas story that has brought santa claus to life for generations celebrate the holiday season with this 1 new york times

the night before christmas the classic edition epic - Mar 02 2023

web may 3 2022 9 49 instant purchase available on compatible nook devices and the free nook apps want a nook explore now get free ebook sample buy as gift

the night before christmas oversized by moore clement - May 24 2022

web the night before christmas is an enchanting christmas story that has brought santa claus to life for generations celebrate the holiday season with this 1 new york times

the night before christmas the classic edition the new york - Sep 08 2023

web may 3 2022 the night before christmas the classic edition the new york times bestseller kindle edition by moore clement santore charles children kindle ebooks

the night before christmas board book the classic - Nov 29 2022

web a mini version of the classic illustrated edition of clement c moore s famous poem with illustrations gathered from the world s most renowned 19th and 20th century children s

[the night before christmas silent movie archive org](#) - Oct 17 2021

the night before 2015 imdb - Nov 17 2021

the night before christmas classic edition hardcover abebooks - Oct 29 2022

web the night before christmas is an enchanting christmas story that has brought santa claus to life for generations celebrate the holiday season with this 1 new york times

the night before christmas the classic edition by clement - Dec 31 2022

web the night before christmas classic edition by clement c moore isbn 10 1561384763 isbn 13 9781561384761 courage books 1997 hardcover clement

the night before christmas hardcover the classic edition the - Aug 27 2022

web the classic 1949 little golden book the night before christmas is now available for santa s littlest elves with its shiny colorful pages this large sized little golden book is

the night before christmas hardcover the by - Jun 05 2023

web oct 20 2011 buy the night before christmas the classic edition the new york times bestseller christmas book charles santore children s classics classic ed

[the night before christmas the classic edition the new york](#) - May 04 2023

web the night before christmas classic edition clement clarke moore christian birmingham illustrator 4 38 119 130 ratings2 705 reviews this beautiful edition of an

the night before christmas classic edition amazon com - Oct 09 2023

web sep 19 1997 this beautiful edition of an american holiday classic features full color original artwork including a panorama of santa and his flying reindeer the large format

the night before christmas classic illustrated edition a classic - Sep 27 2022

web clement clarke moore 1779 1863 was a professor at new york city s general theological seminary built on land donated by his father who in an 1836 reprint of a

qualitative research in health care fourth edition - Apr 11 2023

web dec 6 2019 abstract provides the essential information that health care researchers and health professionals need to understand the basics of qualitative research now in its fourth edition this concise

qualitative methods in health care research pmc national - Aug 15 2023

web feb 24 2021 introduction healthcare research is a systematic inquiry intended to generate trustworthy evidence about

issues in the field of medicine and healthcare the three principal approaches to health research are the quantitative the qualitative and the mixed methods approach

introduction to qualitative research greater health pdf - Jan 28 2022

web introduction to qualitative research greater health the research imagination doing triangulation and mixed methods qualitative research for education fundamentals of qualitative phenomenological nursing research fundamentals of qualitative research qualitative data analysis an introduction to qualitative research an introduction to *research techniques made simple an introduction to qualitative research* - Jan 08 2023

web qualitative research has gained increasing prominence in health related research and is experiencing greater use in dermatology a major strength of and reason to perform qualitative research is that it allows one to gain an understanding of the insider e g patient medical provider other player

qualitative research in healthcare an introduction to grounded - Nov 06 2022

web in today s nhs qualitative research is increasingly important as a method of assessing and improving quality of care grounded theory has developed as an analytical approach to qualitative data over the last 40 years

introduction to qualitative research health knowledge - Jul 02 2022

web introduction to qualitative research quantitative and qualitative research are contrasting methodologies based upon different epistemological positions qualitative research has its routes in interpretivism which assumes that there is no true reality that exists independently from observation but that all reality is in fact socially constructed

introduction to qualitative research greater health 2023 - Feb 26 2022

web introduction to qualitative research greater health a literary masterpiece that delves deep into the significance of words and their impact on our lives compiled by a renowned author this captivating

an introduction to qualitative health research pubmed - Jul 14 2023

web an introduction to qualitative health research authors michela luciani 1 suzan m jack 2 karen campbell 3 elisabeth orr 3 pamela durepos 4 lin li 5 patricia strachan 6 stefania di mauro 7 affiliations 1 rn mscn phd school of nursing dept of medicine and surgery university of milano bicocca milan italy

introduction to qualitative research greater health - Aug 03 2022

web introduction to qualitative research greater health qualitative research in social work mar 29 2022 in this volume progressive experts survey recent trends in qualitative study which relies on small sample groups and interview data to better represent the context and complexity of social work practice

qualitative research methods in chronic disease introduction - Dec 07 2022

web apr 5 2022 we provide an overview of data collection sampling and analysis for qualitative research and we describe

research questions that can be addressed by applying qualitative methods across the continuum of chronic disease research
pdf an introduction to qualitative health research - Jun 13 2023

web jun 3 2019 each qualitative health research design helps to logically and pragmatically determine the appropriate methods to use to 1 define a purposeful sample 2 identify appropriate strategies for

introduction to qualitative research methods part 2 lww - Apr 30 2022

web qualitative research methods are typical of the social sciences and humanities but they can also be highly useful in clinical research this article is an introduction to six key qualitative methods surveys and interviews participant observation and focus groups and document and archival research we discuss the important features of each

introduction to qualitative research greater health - Dec 27 2021

web introduction to qualitative research greater health online psychology courses ashford university the use of new technology in qualitative research developing a framework for critiquing health research an unspoken unseen unheard of qualitative research ch the use of semi structured interviews in qualitative becoming qualitative

qualitative research and its uses in health care pmc - Mar 10 2023

web jan 20 2008 although relatively uncommon in health care research qualitative research is now receiving recognition and is increasingly used in health care research with social and cultural dimensions

what is qualitative research methods examples scribbr - Jun 01 2022

web apr 4 2022 revised on 30 january 2023 qualitative research involves collecting and analysing non numerical data e g text video or audio to understand concepts opinions or experiences it can be used to gather in depth insights into a problem or generate new ideas for research qualitative research is the opposite of quantitative research which

pdf qualitative research in healthcare data analysis - Sep 04 2022

web mar 31 2023 abstract qualitative research methodology has been applied with increasing frequency in various fields including in healthcare research where quantitative research methodology has traditionally

qualitative research methods in chronic disease introduction - Feb 09 2023

web contributions of qualitative research to framing understanding and addressing chronic disease inequities the contributions of qualitative research in public health have been increasingly recognized over the

introduction to qualitative research methods part i pmc - Oct 05 2022

web jan 6 2023 qualitative research methods are widely used in the social sciences and the humanities but they can also complement quantitative approaches used in clinical research in this article we discuss the key features and contributions of qualitative research methods

qualitative research in health care third edition request pdf - Mar 30 2022

web nov 26 2007 this fully revised and updated edition of qualitative research in health care offers a clear and accessible introduction to conducting and interpreting qualitative research incorporating new *introduction to qualitative research greater health 2023* - May 12 2023
web introduction to qualitative research greater health qualitative research methods nov 06 2021 qualitative research methods the definitive step by step resource for qualitative and ethnographic research qualitative research methods collecting evidence crafting analysis communicating impact is a