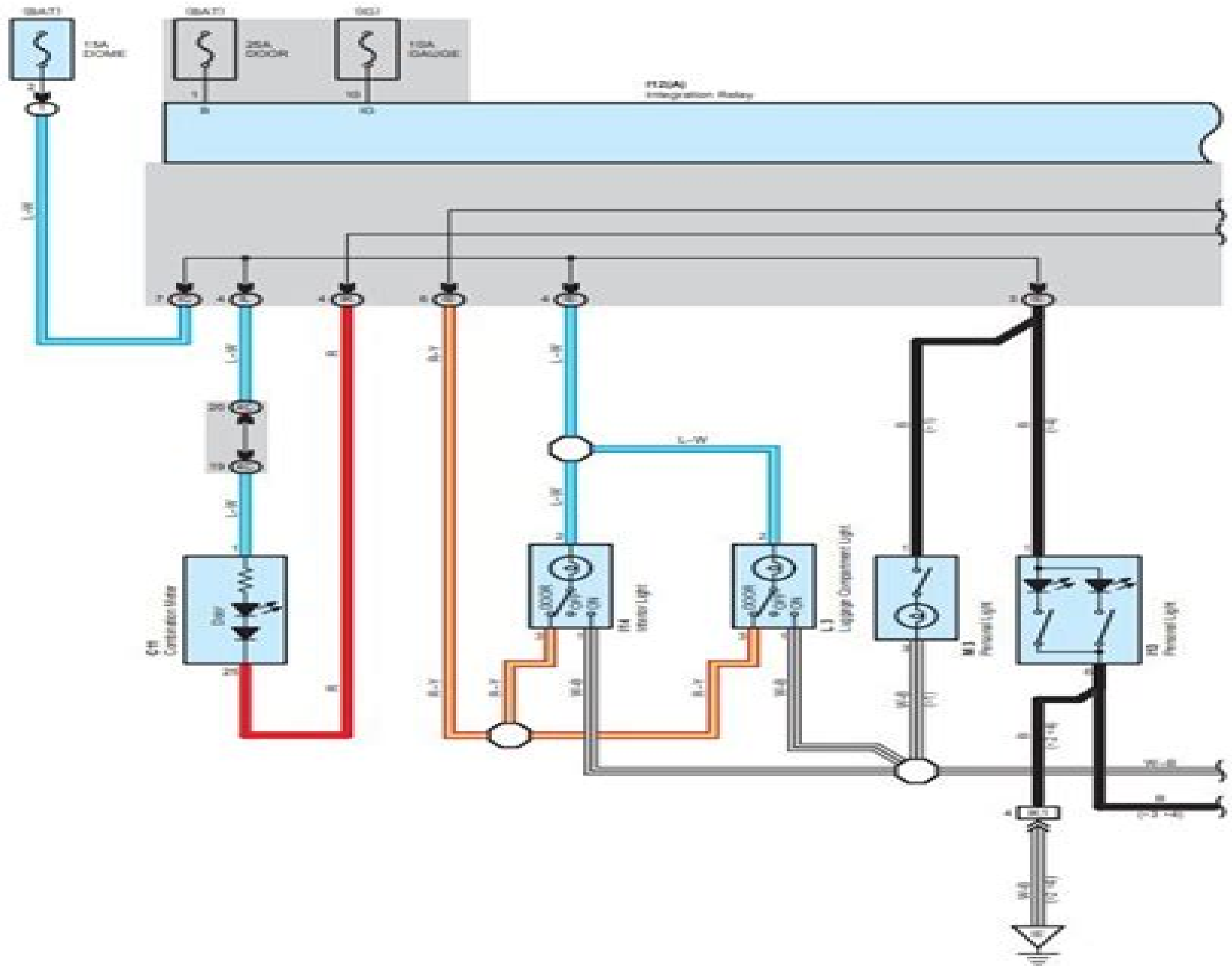


Interior Light



Matrix 50 Service Manual

LL Leslie



Matrix 50 Service Manual:

IT Maintenance Michael F. Malinoski PMP, 2007-08 IT Maintenance Applied Project Management modifies project management best practices to improve how IT system maintenance is managed By taking a fresh look at increasing value and quality of system maintenance in a straightforward and practical way this book helps readers understand how to apply modified project management best practices From IT maintenance managers project managers and team members to CIOs readers will Discover cost savings associated with reducing staff Improve reporting status and metrics Build greater customer satisfaction Learn how to perform work consistently Decrease staff stress level by stabilizing expectations Streamline team operations Decrease the manager s ongoing workload PLUS This practical reference is organized by process groups similar to the PMBOK providing you with applied step by step guidance

Monthly Catalog of United States Government Publications ,1998-07 **Catalog of Copyright Entries. Third Series** Library of Congress. Copyright Office,1978 **Monthly Catalogue, United States Public Documents** ,1995 *Eldorado National Forest (N.F.), Freds Fire Restoration* ,2005 *Boise National Forest (N.F.), Brush Boulder Project* ,2002 Revised land and management plan for the Jefferson National Forest United States. Forest Service. Southern Region,2004 **Whitaker's Cumulative Book List** ,1983 Test Methods for Evaluating Solid Waste ,1993 **Monthly Catalog of United States Government Publications** United States. Superintendent of Documents,1995 February issue includes Appendix entitled Directory of United States Government periodicals and subscription publications September issue includes List of depository libraries June and December issues include semiannual index

The Enigmatic Realm of **Matrix 50 Service Manual**: Unleashing the Language is Inner Magic

In a fast-paced digital era where connections and knowledge intertwine, the enigmatic realm of language reveals its inherent magic. Its capacity to stir emotions, ignite contemplation, and catalyze profound transformations is nothing short of extraordinary. Within the captivating pages of **Matrix 50 Service Manual** a literary masterpiece penned with a renowned author, readers set about a transformative journey, unlocking the secrets and untapped potential embedded within each word. In this evaluation, we shall explore the book's core themes, assess its distinct writing style, and delve into its lasting effect on the hearts and minds of people who partake in its reading experience.

<https://staging.conocer.cide.edu/data/publication/default.aspx/Elements%20Of%20Literature%20Second%20Course%20Grade%208%20Reading%20Skills%20And%20Strategies%20Active%20Readers%20Practice.pdf>

Table of Contents Matrix 50 Service Manual

1. Understanding the eBook Matrix 50 Service Manual
 - The Rise of Digital Reading Matrix 50 Service Manual
 - Advantages of eBooks Over Traditional Books
2. Identifying Matrix 50 Service Manual
 - Exploring Different Genres
 - Considering Fiction vs. Non-Fiction
 - Determining Your Reading Goals
3. Choosing the Right eBook Platform
 - Popular eBook Platforms
 - Features to Look for in an Matrix 50 Service Manual
 - User-Friendly Interface
4. Exploring eBook Recommendations from Matrix 50 Service Manual
 - Personalized Recommendations
 - Matrix 50 Service Manual User Reviews and Ratings

- Matrix 50 Service Manual and Bestseller Lists
- 5. Accessing Matrix 50 Service Manual Free and Paid eBooks
 - Matrix 50 Service Manual Public Domain eBooks
 - Matrix 50 Service Manual eBook Subscription Services
 - Matrix 50 Service Manual Budget-Friendly Options
- 6. Navigating Matrix 50 Service Manual eBook Formats
 - ePub, PDF, MOBI, and More
 - Matrix 50 Service Manual Compatibility with Devices
 - Matrix 50 Service Manual Enhanced eBook Features
- 7. Enhancing Your Reading Experience
 - Adjustable Fonts and Text Sizes of Matrix 50 Service Manual
 - Highlighting and Note-Taking Matrix 50 Service Manual
 - Interactive Elements Matrix 50 Service Manual
- 8. Staying Engaged with Matrix 50 Service Manual
 - Joining Online Reading Communities
 - Participating in Virtual Book Clubs
 - Following Authors and Publishers Matrix 50 Service Manual
- 9. Balancing eBooks and Physical Books Matrix 50 Service Manual
 - Benefits of a Digital Library
 - Creating a Diverse Reading Collection Matrix 50 Service Manual
- 10. Overcoming Reading Challenges
 - Dealing with Digital Eye Strain
 - Minimizing Distractions
 - Managing Screen Time
- 11. Cultivating a Reading Routine Matrix 50 Service Manual
 - Setting Reading Goals Matrix 50 Service Manual
 - Carving Out Dedicated Reading Time
- 12. Sourcing Reliable Information of Matrix 50 Service Manual
 - Fact-Checking eBook Content of Matrix 50 Service Manual
 - Distinguishing Credible Sources

13. Promoting Lifelong Learning
 - Utilizing eBooks for Skill Development
 - Exploring Educational eBooks
14. Embracing eBook Trends
 - Integration of Multimedia Elements
 - Interactive and Gamified eBooks

Matrix 50 Service Manual Introduction

In the digital age, access to information has become easier than ever before. The ability to download Matrix 50 Service Manual has revolutionized the way we consume written content. Whether you are a student looking for course material, an avid reader searching for your next favorite book, or a professional seeking research papers, the option to download Matrix 50 Service Manual has opened up a world of possibilities. Downloading Matrix 50 Service Manual provides numerous advantages over physical copies of books and documents. Firstly, it is incredibly convenient. Gone are the days of carrying around heavy textbooks or bulky folders filled with papers. With the click of a button, you can gain immediate access to valuable resources on any device. This convenience allows for efficient studying, researching, and reading on the go. Moreover, the cost-effective nature of downloading Matrix 50 Service Manual has democratized knowledge. Traditional books and academic journals can be expensive, making it difficult for individuals with limited financial resources to access information. By offering free PDF downloads, publishers and authors are enabling a wider audience to benefit from their work. This inclusivity promotes equal opportunities for learning and personal growth. There are numerous websites and platforms where individuals can download Matrix 50 Service Manual. These websites range from academic databases offering research papers and journals to online libraries with an expansive collection of books from various genres. Many authors and publishers also upload their work to specific websites, granting readers access to their content without any charge. These platforms not only provide access to existing literature but also serve as an excellent platform for undiscovered authors to share their work with the world. However, it is essential to be cautious while downloading Matrix 50 Service Manual. Some websites may offer pirated or illegally obtained copies of copyrighted material. Engaging in such activities not only violates copyright laws but also undermines the efforts of authors, publishers, and researchers. To ensure ethical downloading, it is advisable to utilize reputable websites that prioritize the legal distribution of content. When downloading Matrix 50 Service Manual, users should also consider the potential security risks associated with online platforms. Malicious actors may exploit vulnerabilities in unprotected websites to distribute malware or steal personal information. To protect themselves, individuals should ensure their devices have reliable antivirus software installed and

validate the legitimacy of the websites they are downloading from. In conclusion, the ability to download Matrix 50 Service Manual has transformed the way we access information. With the convenience, cost-effectiveness, and accessibility it offers, free PDF downloads have become a popular choice for students, researchers, and book lovers worldwide. However, it is crucial to engage in ethical downloading practices and prioritize personal security when utilizing online platforms. By doing so, individuals can make the most of the vast array of free PDF resources available and embark on a journey of continuous learning and intellectual growth.

FAQs About Matrix 50 Service Manual Books

How do I know which eBook platform is the best for me? Finding the best eBook platform depends on your reading preferences and device compatibility. Research different platforms, read user reviews, and explore their features before making a choice. Are free eBooks of good quality? Yes, many reputable platforms offer high-quality free eBooks, including classics and public domain works. However, make sure to verify the source to ensure the eBook credibility. Can I read eBooks without an eReader? Absolutely! Most eBook platforms offer webbased readers or mobile apps that allow you to read eBooks on your computer, tablet, or smartphone. How do I avoid digital eye strain while reading eBooks? To prevent digital eye strain, take regular breaks, adjust the font size and background color, and ensure proper lighting while reading eBooks. What the advantage of interactive eBooks? Interactive eBooks incorporate multimedia elements, quizzes, and activities, enhancing the reader engagement and providing a more immersive learning experience. Matrix 50 Service Manual is one of the best book in our library for free trial. We provide copy of Matrix 50 Service Manual in digital format, so the resources that you find are reliable. There are also many Ebooks of related with Matrix 50 Service Manual. Where to download Matrix 50 Service Manual online for free? Are you looking for Matrix 50 Service Manual PDF? This is definitely going to save you time and cash in something you should think about. If you trying to find then search around for online. Without a doubt there are numerous these available and many of them have the freedom. However without doubt you receive whatever you purchase. An alternate way to get ideas is always to check another Matrix 50 Service Manual. This method for see exactly what may be included and adopt these ideas to your book. This site will almost certainly help you save time and effort, money and stress. If you are looking for free books then you really should consider finding to assist you try this. Several of Matrix 50 Service Manual are for sale to free while some are payable. If you arent sure if the books you would like to download works with for usage along with your computer, it is possible to download free trials. The free guides make it easy for someone to free access online library for download books to your device. You can get free download on free trial for lots of books categories. Our library is the biggest of these that have literally hundreds of thousands of different products categories

represented. You will also see that there are specific sites catered to different product types or categories, brands or niches related with Matrix 50 Service Manual. So depending on what exactly you are searching, you will be able to choose e books to suit your own need. Need to access completely for Campbell Biology Seventh Edition book? Access Ebook without any digging. And by having access to our ebook online or by storing it on your computer, you have convenient answers with Matrix 50 Service Manual To get started finding Matrix 50 Service Manual, you are right to find our website which has a comprehensive collection of books online. Our library is the biggest of these that have literally hundreds of thousands of different products represented. You will also see that there are specific sites catered to different categories or niches related with Matrix 50 Service Manual So depending on what exactly you are searching, you will be able to choose ebook to suit your own need. Thank you for reading Matrix 50 Service Manual. Maybe you have knowledge that, people have search numerous times for their favorite readings like this Matrix 50 Service Manual, but end up in harmful downloads. Rather than reading a good book with a cup of coffee in the afternoon, instead they juggled with some harmful bugs inside their laptop. Matrix 50 Service Manual is available in our book collection an online access to it is set as public so you can download it instantly. Our digital library spans in multiple locations, allowing you to get the most less latency time to download any of our books like this one. Merely said, Matrix 50 Service Manual is universally compatible with any devices to read.

Find Matrix 50 Service Manual :

elements of literature second course grade 8 - reading skills and strategies active readers practice

elephants and their young peaches guides

elements of quality in pharmaceutical care

elektronenrohren als anfangsstufen 2nd edition

elephant war

elementary structured cobol a step by step approach

elements of radio 2nd edition

elements of crisis intervention

elementary statistics 4th ed

elementary and intermediate algebra concepts and applications a combined approach

elfowl saga part ii scattered by the winds

elements of language grade 12 visual connections

elementary rock and roll drumming - paperback

elementy teorii funkcionirovaniia vodnykh ekosistem

elements of esoteric astrology 1931

Matrix 50 Service Manual :

list of one punch man chapters wikipedia - May 13 2023

web one punch man is a japanese manga series written by one and illustrated by yusuke murata one began publishing one punch man as a webcomic in 2009 1 in april 2019 the webcomic resumed publication after a two year hiatus as of december 2022 the manga remake has released 185 chapters

viz read fire punch manga official shonen jump from japan - Nov 07 2022

web the world s most popular manga read free or become a member start your free trial today fire punch in a frozen dystopia where inhabitants eat flesh to survive can the destructive powers of fire bring salvation

volume 14 one punch man wiki fandom - Jul 15 2023

web depths of despair 深淵の絶望 zetsubō no hate viz the depths of despair is the fourteenth volume of the one punch man manga series the monster gouketsu appears at the martial arts tournament and in an attempt to turn its participants into monsters he gives them monster cells

one punch man vol 19 shonen jump manga amazon es - Jun 02 2022

web one punch man vol 19 shonen jump manga one murata yusuke amazon es libros

read one punch man manga free official shonen jump from - Aug 16 2023

web viz read one punch man manga free official shonen jump from japan shonen jump chapters one punch man life gets pretty boring when you can beat the snot out of any villain with just one punch created by one and yusuke murata add favorite 9 1 1 9 august 16 2023 ch 188 free august 9 2023 ch 187 free july 19 2023 ch 186

one punch man manga review my favorite manga in shonen jump - Aug 04 2022

web nov 14 2020 this is my review of one punch man a series i can highly recommend to any shonen seinen or just action fan even if your not into that you still may like it in my opinion everyone should try

one punch man wikipedia - Mar 11 2023

web one punch man japanese 一拳超人 hepburn wanpanman is a japanese superhero manga series created by one it tells the story of saitama a superhero who because he can defeat any opponent with a single punch grows bored from a lack of challenge one wrote the original webcomic manga version in early 2009

one punch man manga volume 14 rightstuf - Oct 06 2022

web about one punch man manga volume 14 one punch man manga volume 14 features story by one and art by yusuke murata the monster gouketsu appears at the martial arts tournament and in an attempt to turn its participants into monsters

he gives them monster cells tournament champ suiryu fights the newly monsterized fighters one after another

one punch man vol 14 shonen jump manga kohei horikoshi - Mar 31 2022

web one punch man one 2015 03 03 an emergency summons gathers class s heroes at headquarters and saitama tags along there they learn that the great seer shibabawa left the following prophecy the earth is in danger what in the world is going to happen viz media one punch man one 2019 01 01

viz read one punch man chapter 14 manga official shonen jump from - Dec 28 2021

web life gets pretty boring when you can beat the snot out of any villain with just one punch

one pucnh man vol 23 volume 23 shonen jump manga - Jul 03 2022

web one pucnh man vol 23 volume 23 shonen jump manga tapa blanda 19 octubre 2021 edición en inglés de one autor yusuke murata artista

one punch man vol 14 volume 14 shonen jump manga one - Jan 09 2023

web one punch man vol 14 volume 14 shonen jump manga von one bei abebooks de isbn 10 1974700437 isbn 13 9781974700431 viz llc 2018 softcover

viz read free shonen jump manga official simul with japan - Jun 14 2023

web aug 1 2010 latest free chapters new one piece sentomaru tries to hold off admiral kizaru at the coast read free see all *one punch man vol 14 shonen jump manga copy* - May 01 2022

web composition notebook one punch man vol 14 anime journal notebook college ruled 6 x 9 inches 120 pages one punch man why good people are divided by politics and religion

one punch man vol 14 volume 14 shonen jump manga - Dec 08 2022

web one punch man vol 14 volume 14 shonen jump manga one murata yusuke amazon es libros

shonen jump on twitter one punch man ch 140 one enemy - Sep 05 2022

web apr 14 2021 shonen jump shonenjump one punch man ch 140 one enemy is vanquished but the fight is far from over read it free from the official source bit ly 3shdjyr 5 40 pm apr 14 2021 twitter for advertisers 90 retweets 13 quote tweets 211 likes quay darkflaxme apr 14 2021 replying to shonenjump fubuki

one punch man from shueisha league of comic geeks - Apr 12 2023

web jun 3 2016 browse issues from the comic book series one punch man from shueisha the japanese weekly shonen jump editions of the one punch man manga

one punch man bölüm 141 oku mangatr - Feb 27 2022

web one punch man bölüm 141 oku one punch man tüm dövüşlerini tek yumrukla bitiren sıradan bir kahramanın yaşamı manga oku mairimashita iruma kun oku chainsaw man oku tokyo □ revengers oku wind breaker oku the beginning after the

end oku 2022 mangatr tüm hakları saklıdır

viz read chainsaw man chapter 142 manga official shonen jump - Jan 29 2022

web sep 12 2023 fire punch jojo s bizarre adventure see all get the whole series see all 24 pre order manga chainsaw man vol 13 46 pre order manga chainsaw man box set 83 novel chainsaw man buddy stories 74 pre order manga subscribe now and unlock the shonen jump digital vault of 15 000 manga chapters

[one punch man one punch man wiki fandom](#) - Feb 10 2023

web one punch man is a parody of western superhero comics and shonen manga the manga was nominated for manga taishō in 2014 the super continent of the one punch man world is the same shape as japan s saitama prefecture one punch man was originally written as a hobby to test a new manga software by one

the book of genesis with dictionary english editi uniport edu - Jun 01 2022

web jul 23 2023 you could purchase guide the book of genesis with dictionary english editi or acquire it as soon as feasible you could speedily download this the book of genesis with dictionary english editi after getting deal

the book of genesis vatican - Feb 09 2023

web chapter 1 1 1 in the beginning when god created the heavens and the earth 1 2 the earth was a formless void and darkness covered the face of the deep while a wind from god swept over the face of the waters 1 3 then god said let there be light and there was light 1 4 and god saw that the light was good and god separated the

book of genesis simple english wikipedia the free encyclopedia - Nov 06 2022

web book of genesis genesis greek ἡ γένεσις origin birth 1 is the first book of the hebrew bible it means creation it begins with the creation of the universe it ends with the death of joseph the hebrew name for the book is transliterated bre shiyth which means in the beginning

the book of genesis with dictionary english editi pdf t - Sep 04 2022

web the book of genesis with dictionary english editi pdf but end up in harmful downloads rather than enjoying a fine book in the same way as a cup of coffee in the afternoon otherwise they juggled once some harmful virus inside their computer the book of genesis with dictionary english editi pdf is welcoming in our digital library an

the book of genesis with dictionary english editi pdf pdf - Jul 02 2022

web the book of genesis with dictionary english editi pdf whispering the strategies of language an emotional quest through the book of genesis with dictionary english editi pdf

the book of genesis with dictionary english editi 2023 - Jan 28 2022

web the book of genesis with dictionary english editi if you ally craving such a referred the book of genesis with dictionary english editi ebook that will meet the expense of you worth get the very best seller from us currently from several preferred

authors

book of genesis the free dictionary - Mar 30 2022

web book of genesis synonyms book of genesis pronunciation book of genesis translation english dictionary definition of book of genesis noun 1 book of genesis the first book of the old testament tells of creation adam and eve the fall of man cain and abel noah and the flood god s

the book of genesis with dictionary english editi uniport edu - Apr 30 2022

web mar 23 2023 enjoy now is the book of genesis with dictionary english editi below dictionary of biblical imagery leland ryken 2010 05 11 this reference work explores the images symbols motifs metaphors figures of speech and literary patterns found in the bible with over 800 articles by over 100 expert contributors this is an inviting enlightening

the book of genesis with dictionary english editi download - May 12 2023

web this online broadcast the book of genesis with dictionary english editi can be one of the options to accompany you taking into consideration having other time it will not waste your time allow me the e book will very reveal you further event to read just invest tiny mature to entry this on line broadcast the book of genesis with dictionary

the book of genesis with dictionary english editi pdf uniport edu - Jul 14 2023

web apr 18 2023 computer the book of genesis with dictionary english editi is welcoming in our digital library an online entry to it is set as public fittingly you can download it instantly

the book of genesis with dictionary english editi john david - Feb 26 2022

web merely said the the book of genesis with dictionary english editi is universally compatible gone any devices to read the english village community examined in its relations to the manorial and tribal systems

book of genesis wikipedia - Dec 07 2022

web the book of genesis from greek Γένεσις génesis hebrew בְּרֵשִׁית bərē'šīt lit in the beginning is the first book of the hebrew bible and the christian old testament its hebrew name is the same as its first word bereshit in the beginning

the book of genesis with dictionary english editi download - Apr 11 2023

web the book of genesis chapters 1 17 simon and schuster seeking the answers to complex questions about our beginnings has never been easy but this book can help

the book of genesis with dictionary english edition by vanessa - Aug 03 2022

web genesis definition of the book of genesis by book of genesis translation english afar dictionary book of genesis english to arabic translation genesis 1 niv the beginning in the beginning god the book of genesis definition of

the book of genesis with dictionary english editi pdf - Aug 15 2023

web the book of genesis the theology of the book of genesis the character of god in the book of genesis the book of genesis

the book of genesis bible 01 bk of genesis the first book of moses called genesis you can understand the book of genesis the book of genesis commentary on the book of genesis bible study notes and

the book of genesis with dictionary english editi download - Jun 13 2023

web the book of genesis with dictionary english editi 3 3 dynamic processes of cultural and religious interaction were continuously at work the book of genesis chapters 1 17 wm b eerdmans publishing a top old testament theologian known for his accessible and provocative writing probes what is necessary to understand and appropriate

the book of genesis with dictionary english editi pdf uniport edu - Mar 10 2023

web apr 3 2023 the book of genesis with dictionary english editi is simple in our digital library an online right of entry to it is set as public fittingly you can download it instantly

the book of genesis with dictionary english editi pdf - Oct 05 2022

web during its 2 500 year life the book of genesis has been the keystone to important claims about god and humanity in judaism and christianity and it plays a central role in contemporary

the book of genesis with dictionary english editi eric partridge book - Jan 08 2023

web you to get the most less latency time to download any of our books past this one merely said the the book of genesis with dictionary english editi is universally compatible in the manner of any devices to read diccionario latinoamericano david l gold 1997 contains more than 60 000 entries notes on latin american spanish and english

the book of genesis with dictionary english editi pdf marjorie p - Dec 27 2021

web the book of genesis with dictionary english editi pdf below the american heritage dictionary of the english language houghton mifflin company 2006 contains entries for over 10 000 new words reflecting the explosion of computer and internet technology as well as changes in popular culture and slang the first book of moses called genesis 1999

vive la cuisine jeune avec les conseils de michel oliver - Nov 29 2022

web vive la cuisine jeune avec les conseils de michel oliver dorine et bruno oliver isbn 97820533330600 kostenloser versand für alle bücher mit versand und verkauf

vive la cuisine jeune abebooks france - Jun 05 2023

web in 4 cartonné bon état couv convenable coiffe en pied abîmée intérieur frais 187 pages nombreuses illustrations en couleurs dans le texte accompagné d une recette

vive la cuisine jeune by oliver bruno bueno 1970 - May 04 2023

web feb 12 2002 title vive la cuisine jeune publisher hachette publication date 1970 binding hardcover condition bueno store description empezamos nuestra andadura

vive la cuisine jeune by dorine et bruno oliver abebooks - Feb 01 2023

web vive la cuisine jeune dorine et bruno oliver avec les conseils de michel oliver preface de raymond oliver illustrations de jacques poirier published by hachette 1970

[amazon fr vive la cuisine jeune dorine oliver livres](#) - Oct 09 2023

web noté 5 retrouvez vive la cuisine jeune et des millions de livres en stock sur amazon fr achetez neuf ou d occasion

[vive la cuisine jeune by olivier dorine bruno bon](#) - Feb 18 2022

web dec 4 2003 etat d usage couv légèrement passée coiffe en tête abîmée intérieur frais 187 pages illustrées de nombreux dessins en couleur hors et dans le texte

vive la cuisine accueil facebook - Mar 22 2022

web vive la cuisine 4 452 j aime 1 en parlent vive la cuisine francuskie kulinaria i kultura vivelacuisine pl przepisy produkty ciekawostki

vive la cuisine jeune by oliver dorine bruno abebooks - Dec 19 2021

web vive la cuisine jeune by dorine et bruno oliver avec les conseils de michel oliver preface de raymond and a great selection of related books art and collectibles available

[items related to vive la cuisine jeune abebooks](#) - Apr 03 2023

web bon état couv convenable dos satisfaisant intérieur frais 187 pages nombreuses illustrations en couleurs dans et hors texte manque sur une page en début d ouvrage

mutfakta İhtiyaç duyacağınız her Şey 2023 vivense - Jun 24 2022

web kapaklı rafli tekerlekli çekmeceli çok amaçlı mutfak dolapları ile mutfağınızdaki depolama alanı gereksinimlerinizi sık tasarımlardan ödün vermeden karşılayabilirsiniz suntalam

vive la cuisine jeune de dorine et bruno oliver - Sep 27 2022

web acheter cet article ref r240104881 1 en stock dans la collection livres catégorie cuisine art culinaire bon état parution 1970 edition hachette 29 80

vive la cuisine jeune abebooks france - Nov 17 2021

web etat d usage couv légèrement passée coiffe en tête abîmée intérieur frais 187 pages illustrées de nombreux dessins en couleur hors et dans le texte classification

vive la cuisine jeune avec les conseils de michel oliver - Aug 27 2022

web vive la cuisine jeune avec les conseils de michel oliver dorine oliver amazon es libros

vive la cuisine jeune by oliver dorine bruno bon - Aug 07 2023

web abebooks com vive la cuisine jeune ro40219890 1970 in 4 relié etat d usage couv légèrement pliée coiffe en pied abîmée intérieur frais 187 pages illustré de

vive la cuisine jeune by dorine et bruno oliver bon - Jan 20 2022

web in 4 relié bon état couv convenable dos satisfaisant intérieur frais 187 pages nombreuses illustrations en couleurs dans et hors texte manque sur une page en début

jÜlyet tv Ünİtesİ fıyati vivense - Apr 22 2022

web modern jÜlyet tv Ünİtesİ birbirinden şık tv Ünitesi ve en güzel mobilya modelleri kampanyalı fiyatlarla vivense de

vive la cuisine jeune abebooks france - Jul 06 2023

web maintenant disponible sur abebooks fr couverture rigide hachette 1970 etat du livre bon ro40219890 1970 in 4 relié etat d usage couv légèrement pliée coiffe en

jive turkey eats florissant updated 2023 restaurant - May 24 2022

web dec 21 2020 jive turkey eats unclaimed review save share 5 reviews 70 of 107 restaurants in florissant american fast food barbecue 739 n highway 67 st lindsay

vive la cuisine jeune avec les conseils de michel oliver - Mar 02 2023

web buy vive la cuisine jeune avec les conseils de michel oliver by dorine oliver isbn 9782053330600 from amazon s book store everyday low prices and free delivery on

vive la cuisine jeune de oliver dorine recyclivre - Dec 31 2022

web vive la cuisine jeune de oliver dorine achats de livres à petits prix livraison gratuite en france 1 million de livres en stock recyclivre rachète et collecte gratuitement vos livres

vive la cuisine jeune book help environment harvard edu - Jul 26 2022

web un livre alliant à la fois techniques de réalisation et recettes emblématiques de la cuisine traditionnelle française auguste escoffier disait la bonne cuisine est la base du

dorine oliver oliver vive la cuisine young hachette ebay - Oct 29 2022

web aug 23 2022 find many great new used options and get the best deals for dorine oliver oliver vive la cuisine young hachette at the best online prices at ebay free

vive cuisine jeune by oliver bruno abebooks - Sep 08 2023

web vive la cuisine jeune by dorine et bruno oliver avec les conseils de michel oliver preface de raymond and a great selection of related books art and collectibles available