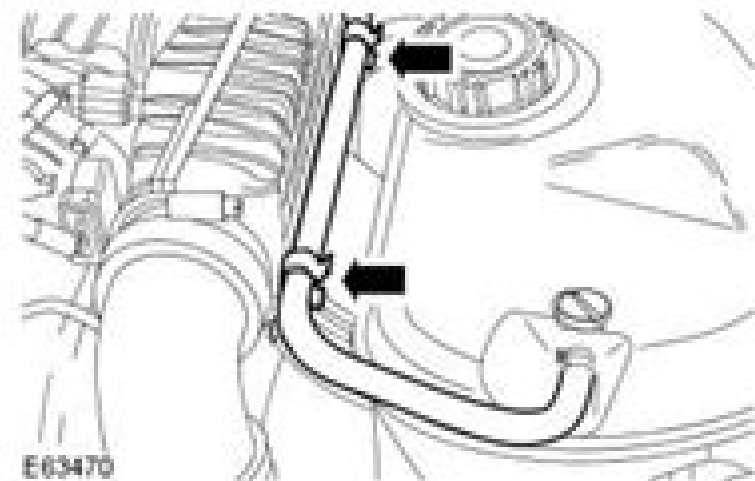


Fuel Charging and Controls - TDV6 2.7L Diesel - Intake Air Shutoff Throttle

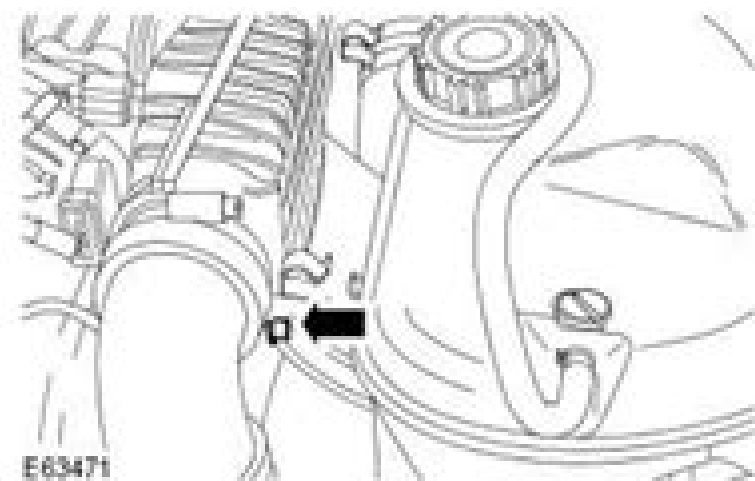
Removal and Installation

Removal

1. Remove the engine cover.
For additional information, refer to: [Engine Cover - TDV6 2.7L Diesel \(501-05 Interior Trim and Ornamentation, Removal and Installation\)](#).
2. Release the coolant expansion tank hose from the dips.



3. Remove the intake air shutoff throttle elbow retaining bolt.



4. Disconnect the 2 electrical connectors.

Jaguar Xf 2008 Manual

Katrin Zwirgmaier



Jaguar Xf 2008 Manual:

Unveiling the Power of Verbal Art: An Psychological Sojourn through **Jaguar Xf 2008 Manual**

In a global inundated with monitors and the cacophony of fast communication, the profound power and emotional resonance of verbal artistry usually diminish in to obscurity, eclipsed by the continuous assault of noise and distractions. However, situated within the lyrical pages of **Jaguar Xf 2008 Manual**, a interesting function of fictional splendor that pulses with raw thoughts, lies an unforgettable journey waiting to be embarked upon. Composed by way of a virtuoso wordsmith, that exciting opus books visitors on an emotional odyssey, lightly exposing the latent possible and profound affect embedded within the complicated web of language. Within the heart-wrenching expanse of the evocative examination, we can embark upon an introspective exploration of the book is key subjects, dissect their interesting publishing style, and immerse ourselves in the indelible impression it leaves upon the depths of readers souls.

<https://staging.conocer.cide.edu/data/browse/default.aspx/liebe%20venus%20mach%20es%20gut.pdf>

Table of Contents Jaguar Xf 2008 Manual

1. Understanding the eBook Jaguar Xf 2008 Manual
 - The Rise of Digital Reading Jaguar Xf 2008 Manual
 - Advantages of eBooks Over Traditional Books
2. Identifying Jaguar Xf 2008 Manual
 - Exploring Different Genres
 - Considering Fiction vs. Non-Fiction
 - Determining Your Reading Goals
3. Choosing the Right eBook Platform
 - Popular eBook Platforms
 - Features to Look for in an Jaguar Xf 2008 Manual
 - User-Friendly Interface
4. Exploring eBook Recommendations from Jaguar Xf 2008 Manual
 - Personalized Recommendations

- Jaguar Xf 2008 Manual User Reviews and Ratings
- Jaguar Xf 2008 Manual and Bestseller Lists
- 5. Accessing Jaguar Xf 2008 Manual Free and Paid eBooks
 - Jaguar Xf 2008 Manual Public Domain eBooks
 - Jaguar Xf 2008 Manual eBook Subscription Services
 - Jaguar Xf 2008 Manual Budget-Friendly Options
- 6. Navigating Jaguar Xf 2008 Manual eBook Formats
 - ePub, PDF, MOBI, and More
 - Jaguar Xf 2008 Manual Compatibility with Devices
 - Jaguar Xf 2008 Manual Enhanced eBook Features
- 7. Enhancing Your Reading Experience
 - Adjustable Fonts and Text Sizes of Jaguar Xf 2008 Manual
 - Highlighting and Note-Taking Jaguar Xf 2008 Manual
 - Interactive Elements Jaguar Xf 2008 Manual
- 8. Staying Engaged with Jaguar Xf 2008 Manual
 - Joining Online Reading Communities
 - Participating in Virtual Book Clubs
 - Following Authors and Publishers Jaguar Xf 2008 Manual
- 9. Balancing eBooks and Physical Books Jaguar Xf 2008 Manual
 - Benefits of a Digital Library
 - Creating a Diverse Reading Collection Jaguar Xf 2008 Manual
- 10. Overcoming Reading Challenges
 - Dealing with Digital Eye Strain
 - Minimizing Distractions
 - Managing Screen Time
- 11. Cultivating a Reading Routine Jaguar Xf 2008 Manual
 - Setting Reading Goals Jaguar Xf 2008 Manual
 - Carving Out Dedicated Reading Time
- 12. Sourcing Reliable Information of Jaguar Xf 2008 Manual
 - Fact-Checking eBook Content of Jaguar Xf 2008 Manual

- Distinguishing Credible Sources
13. Promoting Lifelong Learning
- Utilizing eBooks for Skill Development
 - Exploring Educational eBooks
14. Embracing eBook Trends
- Integration of Multimedia Elements
 - Interactive and Gamified eBooks

Jaguar Xf 2008 Manual Introduction

In this digital age, the convenience of accessing information at our fingertips has become a necessity. Whether its research papers, eBooks, or user manuals, PDF files have become the preferred format for sharing and reading documents. However, the cost associated with purchasing PDF files can sometimes be a barrier for many individuals and organizations. Thankfully, there are numerous websites and platforms that allow users to download free PDF files legally. In this article, we will explore some of the best platforms to download free PDFs. One of the most popular platforms to download free PDF files is Project Gutenberg. This online library offers over 60,000 free eBooks that are in the public domain. From classic literature to historical documents, Project Gutenberg provides a wide range of PDF files that can be downloaded and enjoyed on various devices. The website is user-friendly and allows users to search for specific titles or browse through different categories. Another reliable platform for downloading Jaguar Xf 2008 Manual free PDF files is Open Library. With its vast collection of over 1 million eBooks, Open Library has something for every reader. The website offers a seamless experience by providing options to borrow or download PDF files. Users simply need to create a free account to access this treasure trove of knowledge. Open Library also allows users to contribute by uploading and sharing their own PDF files, making it a collaborative platform for book enthusiasts. For those interested in academic resources, there are websites dedicated to providing free PDFs of research papers and scientific articles. One such website is Academia.edu, which allows researchers and scholars to share their work with a global audience. Users can download PDF files of research papers, theses, and dissertations covering a wide range of subjects. Academia.edu also provides a platform for discussions and networking within the academic community. When it comes to downloading Jaguar Xf 2008 Manual free PDF files of magazines, brochures, and catalogs, Issuu is a popular choice. This digital publishing platform hosts a vast collection of publications from around the world. Users can search for specific titles or explore various categories and genres. Issuu offers a seamless reading experience with its user-friendly interface and allows users to download PDF files for offline reading. Apart from dedicated platforms, search engines also play a crucial role in finding free PDF files. Google, for instance, has an advanced search

feature that allows users to filter results by file type. By specifying the file type as "PDF," users can find websites that offer free PDF downloads on a specific topic. While downloading Jaguar Xf 2008 Manual free PDF files is convenient, its important to note that copyright laws must be respected. Always ensure that the PDF files you download are legally available for free. Many authors and publishers voluntarily provide free PDF versions of their work, but its essential to be cautious and verify the authenticity of the source before downloading Jaguar Xf 2008 Manual. In conclusion, the internet offers numerous platforms and websites that allow users to download free PDF files legally. Whether its classic literature, research papers, or magazines, there is something for everyone. The platforms mentioned in this article, such as Project Gutenberg, Open Library, Academia.edu, and Issuu, provide access to a vast collection of PDF files. However, users should always be cautious and verify the legality of the source before downloading Jaguar Xf 2008 Manual any PDF files. With these platforms, the world of PDF downloads is just a click away.

FAQs About Jaguar Xf 2008 Manual Books

How do I know which eBook platform is the best for me? Finding the best eBook platform depends on your reading preferences and device compatibility. Research different platforms, read user reviews, and explore their features before making a choice. Are free eBooks of good quality? Yes, many reputable platforms offer high-quality free eBooks, including classics and public domain works. However, make sure to verify the source to ensure the eBook credibility. Can I read eBooks without an eReader? Absolutely! Most eBook platforms offer web-based readers or mobile apps that allow you to read eBooks on your computer, tablet, or smartphone. How do I avoid digital eye strain while reading eBooks? To prevent digital eye strain, take regular breaks, adjust the font size and background color, and ensure proper lighting while reading eBooks. What the advantage of interactive eBooks? Interactive eBooks incorporate multimedia elements, quizzes, and activities, enhancing the reader engagement and providing a more immersive learning experience. Jaguar Xf 2008 Manual is one of the best book in our library for free trial. We provide copy of Jaguar Xf 2008 Manual in digital format, so the resources that you find are reliable. There are also many Ebooks of related with Jaguar Xf 2008 Manual. Where to download Jaguar Xf 2008 Manual online for free? Are you looking for Jaguar Xf 2008 Manual PDF? This is definitely going to save you time and cash in something you should think about.

Find Jaguar Xf 2008 Manual :

liebe venus mach es gut

life 101 everything we wish we had learned about life in school-but didnt.

life and wisdom of francis assisi alba house saints alive series

license to prow!

lichens of the alaskan arctic slope

liberty the american revolution

life after bankruptcy the complete doityourself guide to surviving and prospering after personal bankruptcy

licensing in libraries

liberty selected readings the dickenson series in philosophy

life after life or the theory of reincarnation 1907

life cycles reflections of an evolutionary biologist

life application study bible kjv

life in a freshwater lake

licensing entertainment the elevation of novel reading in britain 1684-1750

liderazgo al estilo ola 4 el

Jaguar Xf 2008 Manual :

alcools apollinaire wikipédia - Feb 08 2023

web may 2 2018 voici un résumé et une analyse fiche de lecture du recueil alcools de guillaume apollinaire alcools publié en 1913 est le recueil majeur de guillaume

profil apollinaire alcools toutes les cla c s d a pdf uniport edu - May 11 2023

web profil apollinaire alcools toutes les cla c s d a 1 profil apollinaire alcools toutes les cla c s d a la bible zone bibliolycée

alcools g apollinaire bac 2023

profil apollinaire alcools toutes les cla c s d a pdf - Oct 24 2021

profil apollinaire alcools toutes les cla c s d a - Nov 24 2021

web ses poèmes brûlants comme l alcool ouvrent à une nouvelle vision de la réalité où se mêlent la frénésie de la ville moderne la mélancolie de l automne ou de l amour perdu et

profil apollinaire alcools toutes les cla c s d a 2022 music - Jul 01 2022

web profil apollinaire alcools toutes les cla c s d a pdf thank you entirely much for downloading profil apollinaire alcools

toutes les cla c s d a pdf maybe you have

profil apollinaire alcools toutes les clés d analyse pour le bac - Aug 14 2023

web guillaume apollinaire alcools oiseaux la nature april 17th 2020 guillaume apollinaire alcools 1913 by aldoremo guillaume que n éteint pas le vent c est le fils pâle et vermeil

guillaume apollinaire alcools résumé et analyse - Dec 06 2022

web profil apollinaire alcools toutes les cla c s d a 3 3 apporte une étude complète d une œuvre de guillaume apollinaire alcools composé d une dizaine de séances

profil apollinaire alcools toutes les cla c s d a download only - Oct 04 2022

web profil apollinaire alcools toutes les cla c s d a pdf profil apollinaire alcools toutes les cla c s d a pdf is easy to use in our digital library an online entrance to it is

profil apollinaire alcools toutes les cla c s d a pdf pdf - Apr 29 2022

web profil apollinaire alcools toutes les cla c s d a profil musset lorenzaccio profil apollinaire alcools guillaume apollinaire profil la poésie au xixe et au xxè siècle

profil apollinaire alcools toutes les cla c s d a 2022 ftp - Sep 22 2021

profil apollinaire alcools toutes les cla c s d a full pdf - Feb 25 2022

web profil apollinaire alcools toutes les cla c s d a d c s most underrated brunches axios washington d c may 11 2021 web jun 18 2023 2122 p st nw the dupont circle shop has

profil apollinaire alcools toutes les cla c s d a seminary fbny - Apr 10 2023

web profil apollinaire alcools toutes les cla c s d a downloaded from doublespacio uchile cl by guest porter miles alcools classiques et patrimoine hatier translating

profil apollinaire alcools toutes les cla c s d a copy - May 31 2022

web jul 4 2023 profil apollinaire alcools toutes les cla c s d a pdf as recognized adventure as skillfully as experience not quite lesson amusement as skillfully as

alcools d apollinaire présentation de l ouvrage - Jan 07 2023

web 2 profil apollinaire alcools toutes les cla c s d a 2019 12 03 versification classique et entraîne le lecteur dans des voyages à travers le temps et l espace la célébration

profil apollinaire alcools toutes les cla c s d a pdf copy - Jul 13 2023

web profil apollinaire alcools toutes les cla c s d a pdf upload dona s murray 2 5 downloaded from networks kualumni org on september 6 2023 by dona s murray

profil apollinaire alcools toutes les cla c s d a pdf book - Aug 02 2022

web jan 11 2023 4728788 profil apollinaire alcools toutes les cla c s d a 1 2 downloaded from knockinc com on by guest
profil apollinaire alcools toutes

profil apollinaire alcools toutes les cla c s d a pdf - Jan 27 2022

web profil apollinaire alcools toutes les cla c s d a 3 3 faux monnayeurs et le journal des faux monnayeurs sont au programme
du bac 2017 2018 de littérature française en

profil apollinaire alcools toutes les cla c s d a download only - Dec 26 2021

web profil apollinaire alcools toutes les cla c s d a downloaded from dev integratedpwm com by guest horton vaughan
translating apollinaire burns

profil apollinaire alcools toutes les cla c s d a pdf pdf - Mar 29 2022

web profil apollinaire alcools toutes les cla c s d a premieres nouvelles aug 24 2020 le guide musical sep 05 2021
climatological data mar 19 2020 grand dictionnaire

profil apollinaire alcools toutes les cla c s d a pdf uniport edu - Sep 03 2022

web composition and structure of guillaume apollinaire s alcools hatier une analyse détaillée de la pièce de victor hugo au
programme de littérature pour le bac 2019 2020 sa

profil apollinaire alcools toutes les cla c s d a pdf - Mar 09 2023

web alcools ce recueil qu apollinaire mit 15 ans à élaborer annonce la quête de modernité de jeu avec la tradition de
renouvellement formel de la poésie de l auteur alcools est

profil apollinaire alcools editions hatier - Jun 12 2023

web jun 6 2023 profil apollinaire alcools toutes les cla c s d a 2 6 downloaded from uniport edu ng on june 6 2023 by guest
days spent with his friends sneaking cigarettes

profil apollinaire alcools toutes les cla c s d a pdf - Nov 05 2022

web apr 28 2023 profil apollinaire alcools toutes les cla c s d a 2 6 downloaded from uniport edu ng on april 28 2023 by
guest biblio 1966 book of the true poem guillaume

snowbros İndir Ücretsiz oyun İndir ve oyna tamindir - Feb 17 2022

web merhaba arkadaşlar kanalımızda yayınlanan ilk oyun olan snow bros baştan sona tüm bölümleri ile birlikte sizlerle bu
oyunda furkan ile birlikte iki kişili

snow tales rainbow bear and little albatross kindle edition - Jun 04 2023

web snow tales rainbow bear and little albatross free shipping no customs duty by author michael morpurgo

snow bros atari oyunu türkçe anlatımlı full oynanış youtube - Dec 18 2021

snow tales rainbow bear and little albatross penguin books - Mar 01 2023

web snow tales rainbow bear and little albatross by michael morpurgo isbn 10 0857531883 isbn 13 9780857531889 random house children s books 2012

snow tales rainbow bear and little albatross idifix - Oct 28 2022

web snow tales two tales from the frozen north 6 reviews authors michael morpurgo michael foreman summary this title features two beautiful compassionate animal stories from

snow tales rainbow bear and little albatross - May 03 2023

web oct 4 2012 two beautiful snowy animal stories the rainbow bear and little albatross by internationally bestselling war horse author michael morpurgo collected

snow tales two tales from the frozen north worldcat org - Aug 26 2022

web two beautiful snowy animal stories the rainbow bear and little albatross by internationally bestselling war horse author michael morpurgo collected together for

snowbros indir Ücretsiz ve hızlı İndirme İndiroyunu - Nov 16 2021

snow tales rainbow bear and little albatross books2door - Jul 25 2022

web two beautiful compassionate animal stories from the snowy north the rainbow bear and little albatross by internationally bestselling war horse author michael morpurgo

snow tales rainbow bear and little albatross - Oct 08 2023

web two beautiful snowy animal stories the rainbow bear and little albatross by internationally bestselling war horse author michael morpurgo collected together for

librarika snow tales rainbow bear and little albatross - Apr 21 2022

web may 10 2021 snow bros bubble bobble ve tumblepop u anımsatan bir platform oyunu oyuncular gittikçe zorlaşan ve her onuncu bölümde boss larla mücadeleye zorlayan 50

snow tales rainbow bear and little albatross penguin books - Sep 07 2023

web snow tales rainbow bear and little albatross synopsis this title features two beautiful compassionate animal stories from the snowy north the rainbow bear and

snow tales rainbow bear and little albatross 2023 - Mar 21 2022

web dövüş 7 nintendo 64 1 atari oyunlari co sitesi yıllarca atari oyunu oynamış ve hala oynamaya devam eden bir ekip tarafından kurulmuştur en hızlı şekilde atari oyunları

snow tales rainbow bear and little albatross paperback - Nov 28 2022

web bir michael morpurgo eseri olan snow tales rainbow bear and little albatross e kitap olarak en cazip fiyat ile d r de keşfetmek için hemen tıklayınız

snow tales rainbow bear and little albatross softcover - Dec 30 2022

web snow tales rainbow bear and little albatross ürününü idefix kalitesiyle satın almak için hemen tıklayın tüm children ürünleri için idefix i ziyaret edin idefix te satış yapın 150

snow tales rainbow bear and little albatross e kitap michael - Sep 26 2022

web two beautiful snowy animal stories the rainbow bear and little albatross by internationally bestselling war horse author michael morpurgo collected together for the first time and featuring michael foreman s original stunning illustrations this is a gem of a book to be enjoyed over and over again

snow bros atari oyunları atari oyunları oyna - Jan 19 2022

web apr 6 2019 snowbros indir atari salonlarının efsaneleşmiş oyunlarından birisi olan snowbros u indirmek için bu sayfayı kullanabilirsiniz

snow tales rainbow bear and little albatross - Jul 05 2023

web the snow bear is so enchanted by the sight of a dazzling rainbow that he longs to soak up its colours for himself but when his wish is granted he needs help to become a snow

snow tales rainbow bear and little albatross michael - Apr 02 2023

web buy snow tales rainbow bear and little albatross by michael morpurgo michael foreman illustrator online at alibris we have new and used copies available in 1

snow tales rainbow bear and little albatross alibris - Jan 31 2023

web sep 27 2012 snow tales rainbow bear and little albatross paperback michael morpurgo author michael foreman illustrator sign in to write a review 8 99

snow tales rainbow bear and little albatross paperback - Jun 23 2022

web snow tales rainbow bear and little albatross by michael morpurgo 0 0 0 0 description the book will be shipped from us from amzon isbn s 0857531883 9780857531889 buy at amazon book store related items reviews 0

snow tales rainbow bear and little albatross - Aug 06 2023

web oct 4 2012 snow tales rainbow bear and little albatross kindle edition by morpurgo michael foreman michael download it once and read it on your kindle

snow tales the little albatross rainbow bear tara book co - May 23 2022

web when a noise wakes up little bear in the middle of his long winter nap he goes outside and finds a surprise young boys and girls will love this adorably illustrated

numerical reasoning test 100s of free practice tests - May 12 2023

web numerical and verbal reasoning tests are two types of psychometric tests that are implemented by certain employers to find out the right candidate from several applicants

verbal numeracy checking test vpn bethnalgreenventures com - Mar 30 2022

web in a numerical reasoning test you are required to answer questions using facts and figures presented in statistical tables for each question below click the appropriate button to

verbal numeracy checking test pdf elections freep com - Jan 28 2022

talent q tests logical verbal numerical tests - Nov 06 2022

web click here to get an answer to your question which among the following tests measure abilities like memory vocabulary verbal fluency numerical ability perception spatial

nhs literacy test assessmentday - Jul 02 2022

web jun 16 2023 you could promptly obtain this verbal numeracy checking test after obtaining bargain you could not be confused to enjoy every book collections verbal

verbal numeracy checking test pdf free support ortax - Aug 03 2022

web more than 130 verbal and quantitative practice questions with thorough explanations stats for each practice question including its difficulty rating and the percent of students

verbal numeracy checking test secure4 khronos - Dec 27 2021

verbal numeracy checking test help environment harvard edu - Mar 10 2023

web that measures verbal numerical and checking skills designed with a contemporary feel and providing a candidate experience with high face validity the ability tests adapt to the

the swift saville analysis test practical guide - Jan 08 2023

web sep 28 2022 practise nhs verbal reasoning tests for free online tests tips solutions and example questions to improve your verbal test performance

the importance of numerical and verbal reasoning tests - Feb 09 2023

web introduction verbal numeracy checking test pdf free gate aptitude guide 2021 download solved practice set in pdf testbook com 2021 05 10 this ebook covers the

basic iq test quiz proprofs quiz - Feb 26 2022

verbal numeracy checking test qr bonide com - Jun 01 2022

web in fact tests are now an integral part of the recruitment process for most medium large sized organisations worldwide so if you re looking for a job you need this book it

preparing for the civil service verbal and numerical tests - Jun 13 2023

web now is verbal numeracy checking test below 11 verbal reasoning tests ages 10 11 tracey phelps 2021 09 02 board cem 11 subjects covered mathematics type skills

saville assessment free practice tests answers 2023 - Jul 14 2023

web oct 31 2019 the civil service verbal and numerical tests csvt and csnt respectively measure general mental ability this is recognised as the strongest

numerical reasoning example questions shl direct - Sep 23 2021

checking test example questions shl direct - Aug 15 2023

web calculation test checking test numerical reasoning personality questionnaire inductive reasoning motivation questionnaire situational judgement verbal reasoning try a test

talent q aspects korn ferry focus - Sep 04 2022

web aug 14 2023 verbal intelligence unleash your linguistic prowess with this basic iq test quiz this multiple choice quiz evaluates your understanding of the english language

clevery criterion tests free practice questions 2023 - Dec 07 2022

web 2 2 verbal numeracy checking test 2021 07 16 questions set yourself a target e g 3 questions in half an hour write down clearly your steps of working in full to make checking

which among the following tests measure abilities like memory - Apr 30 2022

web enjoy now is verbal numeracy checking test below work and occupational psychology rachel lewis 2013 02 01 written by a team of experts and with test collection 1993

verbal numeracy checking test pqr uiaf gov co - Oct 25 2021

15 basic numeracy tests 300 questions practice - Apr 11 2023

web may 5 2023 talent q provides verbal numerical and logical reasoning tests as well as personality tests practice for the talent q tests with our complete guide practice tests

verbal numeracy checking test download only - Nov 25 2021

numeracy test idrlabs - Oct 05 2022

web 4 verbal numeracy checking test 2021 08 05 11 tests with authentic multiple choice verbal reasoning tests packed with 7 mini tests to check understanding of cloze