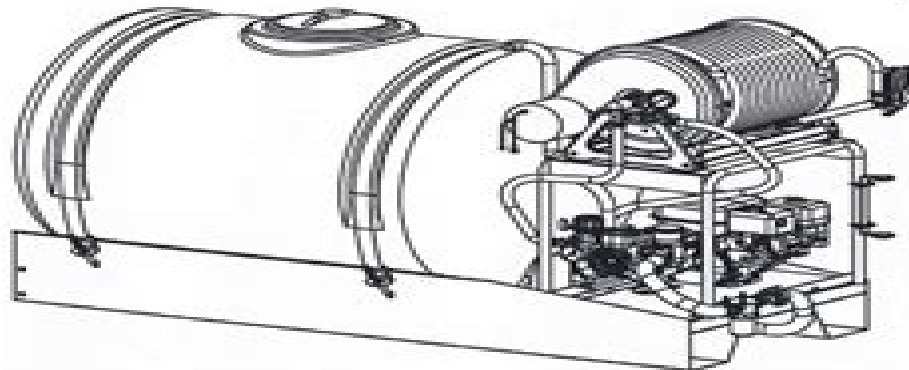


OWNER'S MANUAL

Model: LSS-235-H (5301869)

(200 Gallon Lawn Service Skid Sprayer w/160cc Honda Engine)



BEFORE RETURNING THIS PRODUCT
FOR ANY REASON, PLEASE CALL

1-800-831-0027

IF YOU SHOULD HAVE A QUESTION OR
EXPERIENCE A PROBLEM WITH YOUR
FIMCO INDUSTRIES PRODUCT:

1-800-831-0027

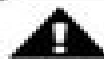
BEFORE YOU CALL, PLEASE HAVE THE
FOLLOWING INFORMATION AVAILABLE:
SALES RECEIPT & MODEL NUMBER. IN MOST
CASES, A FIMCO INDUSTRIES EMPLOYEE CAN
RESOLVE THE PROBLEM OVER THE PHONE.

General Information

Thank you for purchasing this product. The purpose of this manual is to assist you in operating and maintaining your Skid Sprayer.



WARNING: To reduce the risk of injury, the user must read and understand the operator's manual before using this product.



WARNING: Cancer and Reproductive Harm
www.P65Warnings.ca.gov

Retain a copy of your receipt for your unit, as it will be required to validate any warranty service. Products are warranted against manufacturer or workmanship defects for one year from date of purchase for home owner usage and 90 days for commercial usage.

For technical assistance, visit our website @ www.fimcoindustries.com or call: TOLL FREE @ 1-800-831-0027. Our Technical Support Representatives will be happy to help you.

To obtain prompt, efficient service, always remember to give the following information...

- Correct Part Description and/or part number
- Model #/Serial # of your sprayer.

Part descriptions and numbers can be obtained from the illustrated parts list section(s) of this manual.

Technical Specifications

- 200 Gallon Polyethylene Tank
- 160cc Honda Engine, Recoil Start
- 3 Diaphragm Pump
- Maximum Flow = 10.6 GPM
- Maximum Pressure = 580 PSI
- Maximum Temperature = 140°F
- GunJet Spray Gun w/1/2" x 300' of Hose
- Delta Jet Agitator

Caution: When fully filled with water, this sprayer will weigh approx. 2,065 lbs.. Consult the owner's manual for your vehicle to verify that you are within it's load carrying capacity.

Before Operating the Sprayer

1. Add proper oil to the engine crankcase and gasoline to the gas tank. Always check the oil in the gear box. Refer to engine manual for correct oil type. Add SAE 30 to the sight level in the diaphragm pump. Fill the gear case with 90W gear lube until the gear lube runs out the side plug hole.
2. Add plain water to the tank and check the system for leaks. Open the suction line valve. Open the lever valves by the pressure regulator that are connected to the hand-gun line and jet agitator line.
3. The pumping system includes an agitator, which will help keep the solution in suspension. Pressure to the agitator should never exceed 100 PSI. When spraying at pressures over 100 PSI, use the valve (in the agitator line) to throttle the pressure to the agitator by closing the valve. The valve may be opened slowly until the gauge reaches 100 PSI.

Do not exceed recommended pressure on pump or sprayer, as it may cause hoses to burst and will shorten pump life.

WARNING

This product when used can be dangerous and can cause bodily harm, only if not properly used or guarded.

*** STAY AWAY FROM EQUIPMENT
WHEN IT IS IN OPERATION ***

Read information and the full instructions furnished with the product before installing and operating.



www.fimcoindustries.com

1000 FIMCO Lane, P.O. Box 1700, North Sioux City, SD 57049
Toll Free Phone: 800-831-0027 · Toll Free Fax: 800-494-0440

[5008116

(12/18)]

Hunter 235 Owners Manual

R Sandford



Hunter 235 Owners Manual:

User's Manual for a Computer Program for Simulating Intensively Managed Allowable Cut Robert W. Sassaman,1972 Earth: The Operators' Manual Richard B. Alley,2011-04-18 The book companion to a PBS series that proves humans are causing global warming and offers a path to the future Since the discovery of fire humans have been energy users and always will be And this is a good thing our mastery of energy is what separates us from the rest of the animal kingdom and has allowed us to be the dominant species on the planet However this mastery comes with a price we are changing our environment in a profoundly negative way by heating it up Using one engaging story after another coupled with accessible scientific facts world authority Richard B Alley explores the fascinating history of energy use by humans over the centuries gives a doubt destroying proof that already high levels of carbon dioxide are causing damaging global warming and surveys the alternative energy options that are available to exploit right now These new energy sources might well be the engines for economic growth in the twenty first century *National Death Index User's Manual* Robert Bilgrad,1997

A Manual of Surgery for Students and Physicians Francis T. Stewart,1915 **The Steampunk User's Manual** Jeff VanderMeer,Desirina Boskovich,2015-11-25 This comprehensive guide to Steampunk creations of all kinds offers inspiration and practical tips for bringing your own retro futuristic visions to life Whether you re a newbie to the world of Steampunk or a long time enthusiast of airships goggles and mad scientists The Steampunk User s Manual is essential reading The popular subgenre of science fiction has grown into a cultural movement one that invites fans to let their imaginations go wild In this volume Jeff VanderMeer the renowned expert in all things Steampunk presents a practical and inspirational guidance for finding your own path into this realm Including sections on art fashion architecture crafts music performance and storytelling The Steampunk User s Manual provides a conceptual how to guide on everything from the utterly doable to the completely over the top Real Estate Record and Builders' Guide ,1926 **Understanding C** Bruce H. Hunter,1984 Sample Programs Illustrate Use of C Language in Various Applications Discusses C Library Functions Compilers **Monthly Catalogue, United States Public Documents** ,1991-03 **The Official Railway Guide** ,1986 The Aging Mind Patrick Rabbitt,2014-11-27 No one approaches aging with enthusiasm Activities we accomplish easily in our 20s and 30s become more difficult as we grow old but though change is inevitable recognising and understanding precisely what is happening to our bodies and minds allows us to continue to manage and enjoy our lives Patrick Rabbitt is a cognitive gerontologist who has researched physical and mental aging for over 50 years and so can interpret his personal daily experiences of the aging process through a comprehensive understanding of what gerontological research has revealed about how our bodies and brains age and how these changes affect our everyday experiences and lives Engagingly written Professor Rabbitt s book is a fascinating account of why our sensory and cognitive experiences change as we get older and what these developments mean for our overall physical and emotional well being Describing the latest research the book covers the mental changes that

affect our daily lives such as those in memory intelligence attention sleep vision and hearing taste and smell touch and balance anxiety depression and perception of the passage of time It also discusses how far we can keep and develop the skills we have mastered over our lifetimes The book debunks unhelpful myths about the aging process and offers guidance on how we can age better This is an absorbing account of the aging process from one of the most eminent gerontologists working today Its warmth and candour make it an engaging and helpful guide for those interested in understanding their own or their relatives ageing Its rigour and comprehensiveness make ideal for students seeking an accessible alternative to standard textbooks on aging and for health professionals working with older people *The Publishers' Trade List Annual* ,1903

Monthly Catalog of United States Government Publications United States. Superintendent of Documents,1991

Advances in Brazing Dušan P Sekulić,2013-03-04 Brazing processes offer enhanced control adaptability and cost efficiency in the joining of materials Unsurprisingly this has led to great interest and investment in the area Drawing on important research in the field *Advances in brazing* provides a clear guide to the principles materials methods and key applications of brazing Part one introduces the fundamentals of brazing including molten metal wetting processes strength and margins of safety of brazed joints and modeling of associated physical phenomena Part two goes on to consider specific materials such as super alloys filler metals for high temperature brazing diamonds and cubic boron nitride and varied ceramics and intermetallics The brazing of carbon carbon C C composites to metals is also explored before applications of brazing and brazed materials are discussed in part three Brazing of cutting materials use of coating techniques and metal nonmetal brazing for electrical packaging and structural applications are reviewed along with fluxless brazing the use of glasses and glass ceramics for high temperature applications and nickel based filler metals for components in contact with drinking water With its distinguished editor and international team of expert contributors *Advances in brazing* is a technical guide for any professionals requiring an understanding of brazing processes and offers a deeper understanding of the subject to researchers and engineers within the field of joining Reviews the advances of brazing processes in joining materials Discusses the fundamentals of brazing and considers specific materials including super alloys filler metals ceramics and intermetallics Brazing of cutting materials and structural applications are also discussed **Publications of the National Institute of Standards and Technology ... Catalog** National Institute of Standards and Technology (U.S.),1988

Introduction to Criminology Pamela J. Schram,Joseph A. Schwartz,Stephen G. Tibbetts,2024-02-16 *Introduction to Criminology Why Do They Do It* offers a contemporary and integrated discussion of key criminological theories to help students understand crime in the 21st century Focusing on why offenders commit crimes authors Pamela J Schram Joseph A Schwartz and Stephen G Tibbetts apply established theories to real life examples to explain criminal behavior Coverage of violent and property crimes is included throughout theory chapters so that students can clearly understand the application of theory to criminal behavior Updates to the Fourth Edition include recent major social events such as the George Floyd

protests changes in crime trends and criminal behavior as a result of the COVID 19 pandemic updated crime statistics case studies as well as contemporary topics such as mass shooting events and the legalization of marijuana use **Commerce Business Daily** ,2000 **Sustainable Hydraulics in the Era of Global Change** Sébastien Erpicum,Benjamin Dewals,Pierre Archambeau,Michel Pirotton,2016-12-01 In an increasingly urbanized world water systems must be designed and operated according to innovative standards in terms of climate adaptation resource efficiency sustainability and resilience This grand challenge triggers unprecedented questions for hydro environment research and engineering Shifts in paradigm are urgently needed in the way we view circular water systems water as a renewable energy production and storage risk management of floods storms sea level rise and droughts as well as their consequences on water quality morphodynamics e g reservoir sedimentation scour sustainability of deltas and the environment Addressing these issues requires a deep understanding of basic processes in fluid mechanics heat and mass transfer surface and groundwater flow among others Resources in Education ,1988 **The Publishers' Circular and General Record of British and Foreign Literature** ,1888 Publishers' Circular and Booksellers' Record of British and Foreign Literature ,1888

Ignite the flame of optimism with Crafted by is motivational masterpiece, **Hunter 235 Owners Manual** . In a downloadable PDF format (PDF Size: *), this ebook is a beacon of encouragement. Download now and let the words propel you towards a brighter, more motivated tomorrow.

https://staging.conocer.cide.edu/book/scholarship/fetch.php/Extreme_Environments_Mechanisms_Of_Microbial_Adaptation.pdf

Table of Contents Hunter 235 Owners Manual

1. Understanding the eBook Hunter 235 Owners Manual
 - The Rise of Digital Reading Hunter 235 Owners Manual
 - Advantages of eBooks Over Traditional Books
2. Identifying Hunter 235 Owners Manual
 - Exploring Different Genres
 - Considering Fiction vs. Non-Fiction
 - Determining Your Reading Goals
3. Choosing the Right eBook Platform
 - Popular eBook Platforms
 - Features to Look for in an Hunter 235 Owners Manual
 - User-Friendly Interface
4. Exploring eBook Recommendations from Hunter 235 Owners Manual
 - Personalized Recommendations
 - Hunter 235 Owners Manual User Reviews and Ratings
 - Hunter 235 Owners Manual and Bestseller Lists
5. Accessing Hunter 235 Owners Manual Free and Paid eBooks
 - Hunter 235 Owners Manual Public Domain eBooks
 - Hunter 235 Owners Manual eBook Subscription Services
 - Hunter 235 Owners Manual Budget-Friendly Options

6. Navigating Hunter 235 Owners Manual eBook Formats
 - ePub, PDF, MOBI, and More
 - Hunter 235 Owners Manual Compatibility with Devices
 - Hunter 235 Owners Manual Enhanced eBook Features
7. Enhancing Your Reading Experience
 - Adjustable Fonts and Text Sizes of Hunter 235 Owners Manual
 - Highlighting and Note-Taking Hunter 235 Owners Manual
 - Interactive Elements Hunter 235 Owners Manual
8. Staying Engaged with Hunter 235 Owners Manual
 - Joining Online Reading Communities
 - Participating in Virtual Book Clubs
 - Following Authors and Publishers Hunter 235 Owners Manual
9. Balancing eBooks and Physical Books Hunter 235 Owners Manual
 - Benefits of a Digital Library
 - Creating a Diverse Reading Collection Hunter 235 Owners Manual
10. Overcoming Reading Challenges
 - Dealing with Digital Eye Strain
 - Minimizing Distractions
 - Managing Screen Time
11. Cultivating a Reading Routine Hunter 235 Owners Manual
 - Setting Reading Goals Hunter 235 Owners Manual
 - Carving Out Dedicated Reading Time
12. Sourcing Reliable Information of Hunter 235 Owners Manual
 - Fact-Checking eBook Content of Hunter 235 Owners Manual
 - Distinguishing Credible Sources
13. Promoting Lifelong Learning
 - Utilizing eBooks for Skill Development
 - Exploring Educational eBooks
14. Embracing eBook Trends
 - Integration of Multimedia Elements

- Interactive and Gamified eBooks

Hunter 235 Owners Manual Introduction

Hunter 235 Owners Manual Offers over 60,000 free eBooks, including many classics that are in the public domain. Open Library: Provides access to over 1 million free eBooks, including classic literature and contemporary works. Hunter 235 Owners Manual Offers a vast collection of books, some of which are available for free as PDF downloads, particularly older books in the public domain. Hunter 235 Owners Manual : This website hosts a vast collection of scientific articles, books, and textbooks. While it operates in a legal gray area due to copyright issues, its a popular resource for finding various publications. Internet Archive for Hunter 235 Owners Manual : Has an extensive collection of digital content, including books, articles, videos, and more. It has a massive library of free downloadable books. Free-eBooks Hunter 235 Owners Manual Offers a diverse range of free eBooks across various genres. Hunter 235 Owners Manual Focuses mainly on educational books, textbooks, and business books. It offers free PDF downloads for educational purposes. Hunter 235 Owners Manual Provides a large selection of free eBooks in different genres, which are available for download in various formats, including PDF. Finding specific Hunter 235 Owners Manual, especially related to Hunter 235 Owners Manual, might be challenging as theyre often artistic creations rather than practical blueprints. However, you can explore the following steps to search for or create your own Online Searches: Look for websites, forums, or blogs dedicated to Hunter 235 Owners Manual, Sometimes enthusiasts share their designs or concepts in PDF format. Books and Magazines Some Hunter 235 Owners Manual books or magazines might include. Look for these in online stores or libraries. Remember that while Hunter 235 Owners Manual, sharing copyrighted material without permission is not legal. Always ensure youre either creating your own or obtaining them from legitimate sources that allow sharing and downloading. Library Check if your local library offers eBook lending services. Many libraries have digital catalogs where you can borrow Hunter 235 Owners Manual eBooks for free, including popular titles. Online Retailers: Websites like Amazon, Google Books, or Apple Books often sell eBooks. Sometimes, authors or publishers offer promotions or free periods for certain books. Authors Website Occasionally, authors provide excerpts or short stories for free on their websites. While this might not be the Hunter 235 Owners Manual full book , it can give you a taste of the authors writing style. Subscription Services Platforms like Kindle Unlimited or Scribd offer subscription-based access to a wide range of Hunter 235 Owners Manual eBooks, including some popular titles.

FAQs About Hunter 235 Owners Manual Books

How do I know which eBook platform is the best for me? Finding the best eBook platform depends on your reading

preferences and device compatibility. Research different platforms, read user reviews, and explore their features before making a choice. Are free eBooks of good quality? Yes, many reputable platforms offer high-quality free eBooks, including classics and public domain works. However, make sure to verify the source to ensure the eBook credibility. Can I read eBooks without an eReader? Absolutely! Most eBook platforms offer web-based readers or mobile apps that allow you to read eBooks on your computer, tablet, or smartphone. How do I avoid digital eye strain while reading eBooks? To prevent digital eye strain, take regular breaks, adjust the font size and background color, and ensure proper lighting while reading eBooks. What the advantage of interactive eBooks? Interactive eBooks incorporate multimedia elements, quizzes, and activities, enhancing the reader engagement and providing a more immersive learning experience. Hunter 235 Owners Manual is one of the best book in our library for free trial. We provide copy of Hunter 235 Owners Manual in digital format, so the resources that you find are reliable. There are also many Ebooks of related with Hunter 235 Owners Manual. Where to download Hunter 235 Owners Manual online for free? Are you looking for Hunter 235 Owners Manual PDF? This is definitely going to save you time and cash in something you should think about.

Find Hunter 235 Owners Manual :

[extreme environments. mechanisms of microbial adaptation](#)

[fabulous frog](#)

eye of the lynx galileo his friends and the beginnings of modern natural history

[eyeless in gaza](#)

[eyewitness - monster](#)

[ezekiel peoples bible](#)

[extraordinary mr morris](#)

extracting the precious from galatians

[expressions intro-audio tape](#)

face to face business communication for results a spectrum

extracorporeal shock wave lithotripsy

f4 phantom ii in action

[exteme teen bible ncv](#)

[fabulas de siempre el topo y otros animales y otras fabulas](#)

extraordinary episodes

Hunter 235 Owners Manual :

hörbuch zur ausbildung für heilpraktiker das blut und - May 15 2023

web dec 23 2016 dieses hörbuch dient der prüfungsvorbereitung für heilpraktiker und heilpraktikerinnen und behandelt das thema das blut und das lumphsystem es eignet

hörbuch zur ausbildung für heilpraktiker das blut und - Jun 16 2023

web dieses hörbuch dient der prüfungsvorbereitung für heilpraktiker und heilpraktikerinnen und behandelt das thema das blut und das lumphsystem es eignet sich ideal zum

blut 1 paracelsus die heilpraktikerschulen - Sep 07 2022

web 1 was ist hämatokrit der plasmaanteil des blutes der volumenanteil der zellen im blut der hb gehalt der einzelnen erythrozyten 2 die erythrozyten normalzahl beträgt ca 5

hörbuch zur ausbildung für heilpraktiker das blut und - Jul 17 2023

web dec 23 2016 dieses hörbuch dient der prüfungsvorbereitung für heilpraktiker und heilpraktikerinnen und behandelt das thema das blut und das lumphsystem es eignet

horbuch zur ausbildung fur heilpraktiker das blut copy - Nov 28 2021

web may 22 2023 horbuch zur ausbildung fur heilpraktiker das blut 1 15 downloaded from uniport edu ng on may 22 2023 by guest horbuch zur ausbildung fur heilpraktiker

horbuch zur ausbildung fur heilpraktiker das blut pdf uniport edu - Apr 02 2022

web mar 5 2023 horbuch zur ausbildung fur heilpraktiker das blut 2 13 downloaded from uniport edu ng on march 5 2023 by guest ustinov still at large peter ustinov 1995

hörbuch zur ausbildung für heilpraktiker das blut und - Apr 14 2023

web horbuch zur ausbildung fur heilpraktiker das ausbildung als heilpraktiker für psychotherapie infos hörbuch zur ausbildung für heilpraktiker das blut und

horbuch zur ausbildung fur heilpraktiker das blut 2023 - Dec 10 2022

web psychologische beratung für alle heilpraktiker heilpraktiker und heilpraktiker für psychotherapie wissen für die prüfung kommentierte probepfungen und

hörbuch zur ausbildung für heilpraktiker das blut und - Jun 04 2022

web aug 15 2023 letschert hörbuch zur ausbildung für heilpraktiker der stoffwechsel hörbuch zur ausbildung für heilpraktiker das blut und audiokurs kompakt mit 27 cds

hörbuch zur ausbildung für heilpraktiker das blut und - Aug 18 2023

web dieses hörbuch dient der prüfungsvorbereitung für heilpraktiker und heilpraktikerinnen und behandelt das thema das

blut und das lymphsystem es eignet sich ideal zum

horbuch zur ausbildung fur heilpraktiker das blut pdf - May 03 2022

web apr 21 2023 horbuch zur ausbildung fur heilpraktiker das blut appropriately simple protest and dissent anna warso

2020 02 18 essays collected in this book discuss

hörbuch zur ausbildung für heilpraktiker das blut und - Mar 13 2023

web hörbuch zur ausbildung für heilpraktiker das blut und lymphsystem as it s meant to be heard narrated by joachim

letschert discover the german audiobook at audible free

hörbuch zur ausbildung für heilpraktiker das blut und - Feb 12 2023

web hörbuch zur ausbildung für heilpraktiker das blut und lymphsystem audio download joachim letschert joachim letschert

pegasuszentrum amazon com au books

horbuch zur ausbildung fur heilpraktiker das blut pdf - Jul 05 2022

web horbuch zur ausbildung fur heilpraktiker das blut 2 10 downloaded from uniport edu ng on june 18 2023 by guest

sweden s parliament building greta s protest began the

lehrplan heilpraktiker ausbildung berufsverband deutsche - Nov 09 2022

web das cantharidenpflaster grundverständnis das schröpfen blutig grundverständnis das schröpfen unblutig

grundverständnis die schröpfkopfmassage grundverständnis das

lehrplan der heilpraktikerausbildung akademie naturheilkunde - Mar 01 2022

web eine nutzung zu einem anderen zweck oder eine datenweitergabe an dritte findet nicht statt unser aktueller

phytotherapie kurs erfolgreicher abschluss phytotherapie

lehrplan grundausbildung heilpraktikerin heilpraktiker in - Aug 06 2022

web jan 28 2020 blut lymphsystem hämatologie immunologie bewegungsapparat rheumatologie pharmakologie

rezeptierkunde heilpraktikerin

horbuch zur ausbildung fur heilpraktiker das blut pdf - Dec 30 2021

web jul 20 2023 horbuch zur ausbildung fur heilpraktiker das blut 2 10 downloaded from uniport edu ng on july 20 2023 by

guest der wichtigsten häufigsten und aktuellsten

horbuch zur ausbildung fur heilpraktiker das blut bastian eclercy - Jan 11 2023

web horbuch zur ausbildung fur heilpraktiker das blut recognizing the exaggeration ways to acquire this book horbuch zur

ausbildung fur heilpraktiker das blut is

hörbuch zur ausbildung für heilpraktiker das herz kreislauf - Oct 08 2022

web dieses hörbuch dient der prüfungsvorbereitung für heilpraktiker und heilpraktikerinnen und behandelt das thema das

herz kreislauf system es eignet sich ideal zum lernen

horbuch zur ausbildung fur heilpraktiker das blut uniport edu - Jan 31 2022

web horbuch zur ausbildung fur heilpraktiker das blut as one of the most working sellers here will completely be along with the best options to review chemie für mediziner

my math grade 2 volume 2 common core answers resources - Jun 18 2023

web use the table below to find videos mobile apps worksheets and lessons that supplement my math grade 2 volume 2 common core my math grade 2 volume 2 common core grade 2 workbook answers help online grade 2 title my math grade 2 volume 2 common core publisher mcgraw hill isbn 0021160694

mcgraw hill my math grade 2 volume 2 teacher edition goodreads - Aug 08 2022

web jan 1 2014 mcgraw hill education traces its history back to 1888 when james h mcgraw co founder of the company purchased the american journal of railway appliances he continued to add further publications eventually establishing the mcgraw publishing company in 1899 his co founder john a hill had also produced several

mcgraw hill my math grade 1 answer key pdf ccss math answers - Jul 19 2023

web jun 27 2022 the chapters in mcgraw hill my math grade 1 volume 2 answer key contain organize and use graphs measurement and time two dimensional shapes and equal shares and three dimensional shapes get the free access to download mcgraw hill my math volume 1 2 grade 1 answer key chapterwise for better preparation

mcgraw hill my math answer key for grade k 1 2 3 4 5 mcgraw hill - Oct 22 2023

web may 23 2022 by prasanna mcgraw hill my math answer key present here will teach you the why behind every mathematics problem you come across in your academics our experts have designed the mcgraw hill my math answers for grades 5 4 3 2 1 k knowing the importance of conceptual understanding

my math grade 2 volume 1 common core answers resources - Oct 10 2022

web my math grade 2 volume 1 common core grade 2 workbook answers help online grade 2 title my math grade 2 volume 1 common core publisher mcgraw hill isbn 0021150214

mcgraw hill my math grade k student edition volume 2 - Feb 14 2023

web content is organized to address the standards for mathematics and emphasize mathematical practices hands on activities connect learning to the real world get the 1e of mcgraw hill my math grade k student edition volume 2 by mcgraw hill textbook ebook and other options isbn 9780079057686

glencoe math course 2 volume 2 1st edition solutions and answers - Apr 04 2022

web algebra pre algebra glencoe math course 2 volume 2 1st edition isbn 9780076619030 mcgraw hill textbook solutions verified chapter 5 expressions page 348 quick check section 5 1 algebraic expressions section 5 2 sequences section 5 3

properties of operation section 5 4 the distributive property page 386 mid chapter check section 5 5

mcgraw hill my math grade 5 answer key pdf ccss math answers - Aug 20 2023

web jun 27 2022 mcgraw hill my math grade 5 volume 2 answer key mcgraw hill my math grade 5 answers chapter 8 fractions and decimals chapter 8 fractions and decimals lesson 1 fractions and division lesson 2 greatest common factor lesson 3 simplest form lesson 4 problem solving investigation guess check and revise

glencoe math course 2 volume 1 1st edition quizlet - Jul 07 2022

web find step by step solutions and answers to glencoe math course 2 volume 1 9780076615292 mcgraw hill more textbook info mcgraw hill isbn 9780076615292 mcgraw hill textbook solutions verified chapter 1 ratios and proportional reasoning page 6 quick check page 7 investigation

my math 5 volume 2 common core answers resources - Apr 16 2023

web my math 5 volume 2 common core grade 5 workbook answers help online grade 5 title my math 5 volume 2 common core publisher mcgraw hill isbn 21161968

my math grade 5 teacher edition pkg volume 1 2 goodreads - Jun 06 2022

web jan 1 2010 my math grade 5 teacher edition pkg volume 1 2 mcgraw hill book details editions about the author mcgraw hill 5 861 books 10 followers

mcgraw hill education math grade 2 second edition - Jan 13 2023

web second grade math standards chapter 1 lesson 1 adding through 20 lesson 2 subtracting through 20 lesson 3 more adding and subtracting through 20 lesson 4 one step addition word problems lesson 5 one step subtraction word problems lesson 6 two step word problems lesson 7 more two step word problems

mcgraw hill my math grade k teacher edition volume 2 - Dec 12 2022

web includes volume 2 of the 2 volume set get the 1e of mcgraw hill my math grade k teacher edition volume 2 by mcgraw hill textbook ebook and other options isbn 9780079057808 copyright 2018

mcgraw hill my math grade 4 student edition volume 2 - May 05 2022

web content is organized to address the standards for mathematics and emphasize mathematical practices hands on activities connect learning to the real world get the 1e of mcgraw hill my math grade 4 student edition volume 2 by mcgraw hill textbook ebook and other options isbn 9780079057648

my math 3 volume 2 common core answers resources - Sep 09 2022

web my math 3 volume 2 common core grade 3 workbook answers help online grade 3 title my math 3 volume 2 common core publisher mcgraw hill isbn 21161917

my math 4 volume 2 common core answers resources - Mar 15 2023

web my math 4 volume 2 common core grade 4 workbook answers help online grade 4 title my math 4 volume 2 common core publisher mcgraw hill isbn 002116195x

elementary math curriculum my math mcgraw hill - May 17 2023

web the mcgraw hill my math learning solution provides an easy and flexible way to diagnose and fill gaps in understanding so that all students can meet grade level expectations and accelerate beyond strong equitable core instruction with actionable data best in class resources and targeted instructional strategies

mcgraw hill my math grade 4 answer key pdf ccss math answers - Nov 11 2022

web jun 27 2022 quick and easy learning is possible with mcgraw hill my math grade 4 answers volume 1 2 so kickstart your preparation with mcgraw hill my math volume 1 2 grade 4 solution key and score better marks in the exams free links to download mcgraw hill my math grade 4 answers pdf on this page

mcgraw hill my math grade 2 answer key pdf ccss math answers - Sep 21 2023

web jun 27 2022 get free access to download mcgraw hill my math 2nd grade answer key pdfs chapter wise tap the links provided below to download mcgraw hill my math volume 1 2 grade 2 answer key for free of cost and practice offline

my math 4 volume 2 common core with online resources - Mar 03 2022

web oct 4 2023 my math 4 volume 2 common core is a educational book by mcgraw hill this page not only allows students and teachers to get information about the book my math 4 volume 2 common core but also find engaging sample questions videos pins worksheets apps related to the following topics

solution manual financial accounting ifrs 2e weygandt kimmel - Oct 09 2023

web units 3 000 4 000 2 200 9 200 unit cost 0 65 0 72 0 78 cost of goods available for sale 1 950 2 880 1 716 6 546 ending inventory cost of goods sold dec 17 2 200 x 0 78 1 716 dec 3 800 x 0 72 576 3 000 2 292 cost of goods available for sale less ending inventory cost of goods sold 6 546 2 292 4 254 9 200 4 400 200

chapter 2 solutions financial accounting with ifrs 11th edition - Jun 24 2022

web access financial accounting with ifrs 11th edition chapter 2 solutions now our solutions are written by chegg experts so you can be assured of the highest quality

financial accounting with international financial reporting - Mar 22 2022

web weygandts fourth edition of financial accounting ifrs highlights the integration of more us gaap rules a desired feature as more foreign companies find the united states to be their largest market

chapter 2 the recording process solutions manual - Apr 22 2022

web learning objectives questions brief exercises do it exercises a problems b problems 1 explain what an account is and how it helps in the recording process 1 1 2 define debits and credits and explain their use in recording business transactions 2 3 4

5 6 7 8 9 14 21 1 2 5 1 2 4 6 7 14 1a 2a 3a 5a 1b 2b 3b 5b 3

financial accounting ifrs 3rd edition solutions manual - Oct 29 2022

web completed download instructor manual solutions manual answer all chapters matcha creations problem solutions for appendix chapter testbankarea.com download financial accounting ifrs 3rd edition solutions

financial accounting ifrs edition 3e solution chapter 2 - Aug 07 2023

web financial accounting ifrs edition 3e solution chapter 2 copyright 2016 john wiley amp sons studocu copyright 2016 john wiley sons inc weygandtfinancial 3 e solution s manual for instructor use only 2 explain what a ledger is and how it helps in the recording process prepare a trial balance and explain its purposes

doc financial accounting ifrs edition 2 e academia edu - May 04 2023

web content 1 accounting in action 2 the recording process 3 adjusting the accounts 4 completing the accounting cycle 5 accounting for merchandising operations 6 inventories 7 fraud internal control and cash 8 accounting for receivables 9 plant assets natural resources and intangible assets 10 liabilities 11 corporations

pdf solution manual for financial accounting ifrs edition 2nd edition - Sep 08 2023

web solution manual for financial accounting ifrs edition 2nd edition by weygandt full file at testbanku.eu pdf solution manual for financial accounting ifrs edition 2nd edition by weygandt pdf tmsvdw 36zfvk academia.edu

solutions manual for financial accounting ifrs edition 2nd edition - Jul 06 2023

web feb 7 2018 test bank for financial accounting ifrs edition 2nd edition by weygandt kimmel and kieso link download full

solution manual for financial accounting ifrs edition 2e - Apr 03 2023

web solution manual for financial accounting ifrs edition 2nd edition jerry j weygandt paul d kimmel donald e kieso isbn 9781118502723 isbn 9781118285909 table of contents 1 accounting in action 2 the recording process 3 adjusting the accounts 4 completing the accounting cycle 5 accounting for merchandising operations 6

solution manual kunci jawaban financial accounting weygandt ifrs - Aug 27 2022

web nov 3 2014 ass selamat pagi agan agan semuanya disini saya menyediakan solution manual kunci jawaban financial accounting weygandt ifrs edisi 2 financial accounting ifrs edition 2nd edition jerry j weygandt paul d kimmel donald e kieso table of contents accounting in action the recording process adjusting the

weygandt financial 2e ifrs ch13 tamkang university - Feb 01 2023

web the statement of cash flows presents investing and financing activities so that even non cash transactions of an investing and financing nature are disclosed in the financial statements if they affect financial conditions significantly the iasb requires that they be disclosed in either a separate

intermediate accounting 2nd edition ifrs edition wiley - May 24 2022

web the second edition of intermediate accounting ifrs edition by donald e kieso jerry j weygandt and terry d warfield provides the tools global accounting students need to understand what ifrs is and how it is applied in practice

financial accounting ifrs 3rd edition wiley - Feb 18 2022

web weygandt s third edition of financial accounting ifrs highlights the integration of more us gaap rules a desired feature as more foreign companies find the united states to be their largest market

financial accounting ifrs edition 2nd edition by weygandt studocu - Jun 05 2023

web financial accounting ifrs edition 2nd edition by weygandt kimmel and kieso chapter 4 solution chapter completing the accounting cycle assignment classification

weygandt kimmel kieso financial accounting with wiley - Nov 29 2022

web financial accounting with international financial reporting standards 4th edition home browse by chapter browse by chapter browse by resource browse by resource title home on wiley com how to use this site table of contents powerpoints chapter 1 chapter 2 chapter 3 chapter 4 chapter 5 chapter 6 chapter 7 chapter 8

intermediate accounting ifrs edition chapter 2 solution - Dec 31 2022

web the five basic assumptions that underlie the financial accounting structure are 1 an economic entity assumption 2 a going concern assumption 3 a monetary unit assumption 4 a periodicity assumption 5 accrual basis assumption

ch02 chapter 2 the recording process assignment - Sep 27 2022

web financial accounting with international financial reporting standards 4th edition financial accounting with ifrs 4th edition 79 documents students shared 79 documents in this course academic year 2019 2020 ch11 solution manual managerial accounting tools for business decision making □□□□□□□□ □□□□□□□□ account research

weygandt financial 2e ifrs ch12 tamkang university - Mar 02 2023

web bloom s taxonomy table copyright 2013 john wiley sons inc weygandt financial ifrs 2 e solution s manual for instructor use only 12 5 correlation chart

financial accounting ifrs 3rd edition weygandt solutions manual - Jul 26 2022

web may 19 2018 whether ifrs is sufficiently developed and consistent in application whether the iasb is sufficiently independent whether ifrs is established for the benefit to investors the issues involved in