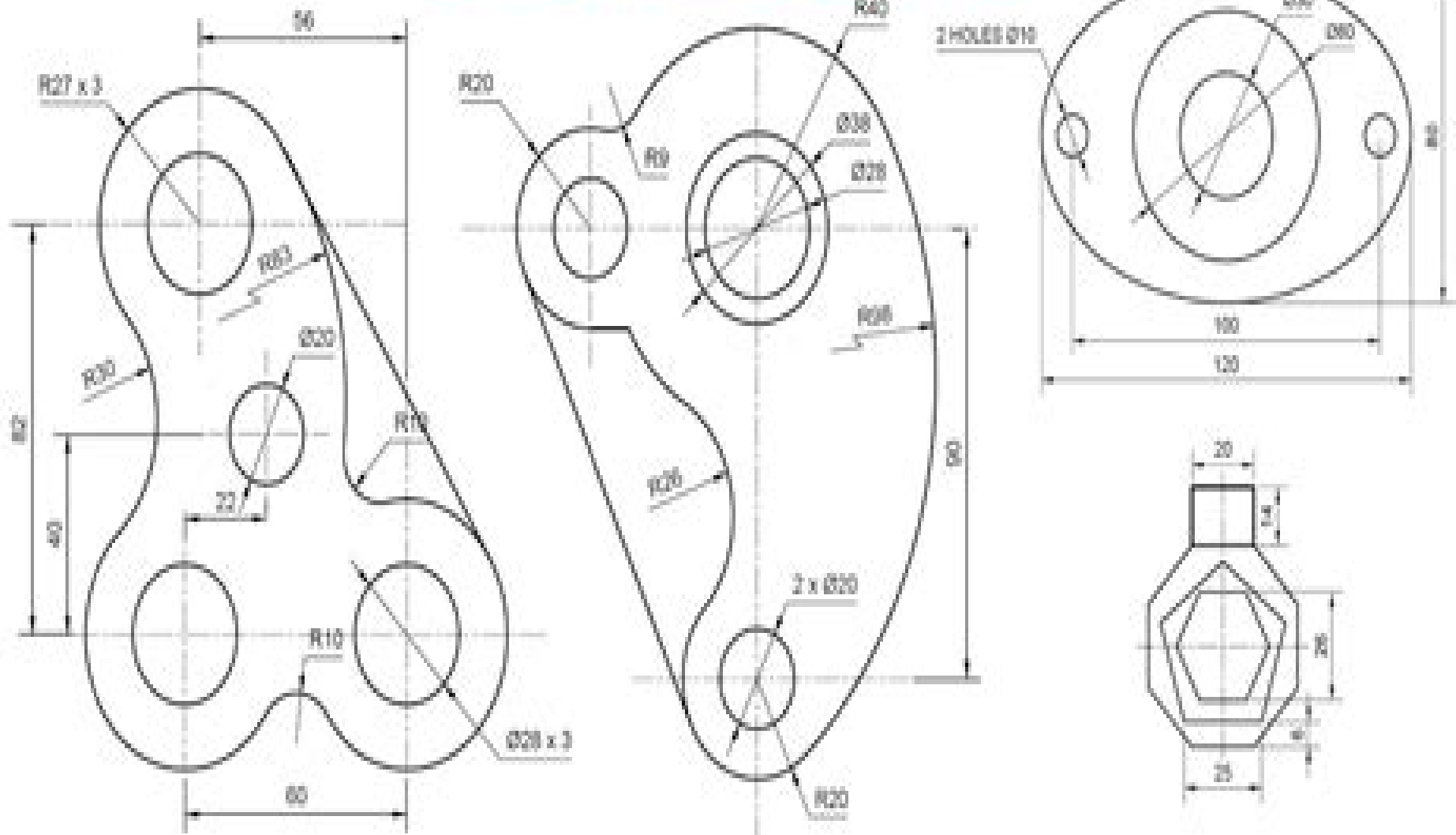


AutoCAD Training Exercises - 3

315K+ Views



Mechanical Autocad 2015 Training Manual

David Baud



Mechanical Autocad 2015 Training Manual:

SolidWorks 2019 Training Guide Linkan Sagar,2019-09-19 Designed to provide an insight into the Mechanical Design concept DESCRIPTION The book promises to make you understand and practice the SolidWorks framework The aim of this book is to take you on a journey to all the phases of SolidWorks SolidWorks is an innovative next generation industry software that allows you to solve and understand the designing and mechanical problems SolidWorks uses a technical implementation approach for sketching surfacing and sheet metal drafting in an incremental and easy way The main objective of this book is to make the reader understand the concepts of design based on practical knowledge rather than theoretical knowledge KEY FEATURES Each command is explained in a simple and understandable manner Step by step explanation Practical knowledge rather than theoretical knowledge Covers all the modules of SolidsWorks 2019 WHAT WILL YOU LEARN SolidWorks and its GUI Sketches Line Rectangle Slot Circle ARC Polygon and Spline Extrude Revolved Swept Loft Boundary Filt and Chamfer Surface Extruded Revolved Swept Lofted Boundary Filled and Planner Sheet metal Base flange tab Edge flange Miter flange and Hem Weldments Structural member Trim Extend End cap and Gusset Curves Mold design Drafting Assembly WHO THIS BOOK IS FOR Mechanical engineers and designers automobile engineers product designers heavy vehicle designers Table of Contents _1 Introduction and Overview 2 Sketch 3 Features 4 Surface 5 Sheet Metal 6 Weldments 7 Curves 8 Mold Design 9 Assembly 10 Drafting *Tools for Design Using AutoCAD 2015 and Autodesk Inventor 2015* Randy Shih,2014-06-25 Tools for Design is intended to provide the user with an overview of computer aided design using two popular CAD software packages from Autodesk AutoCAD and Autodesk Inventor This book explores the strengths of each package and show how they can be used in design both separately and in combination with each other What you ll learn How to create and dimension 2D multiview drawings using AutoCAD How to freehand sketch using axonometric oblique and perspective projection techniques How to create 3D parametric models and 2D multiview drawings using Autodesk Inventor How to reuse design information between AutoCAD and Autodesk Inventor How to combine parts into assemblies including assembly modeling with a LEGO MINDSTORMS Education Base Set with TETRIX kit and a VEX Robot Kit How to perform basic finite element stress analysis using Inventor Stress Analysis Module Who this book is for This book is designed for high school and college age students wanting to learn the fundamentals of computer aided design with AutoCAD and Inventor and how the two can be used together No prior CAD experience is required **Technical Drawing 101 with AutoCAD 2015** Antonio Ramirez,Jana Schmidt ,Douglas Smith,2014-06-11 Technical Drawing 101 covers topics ranging from the most basic such as making freehand multiview sketches of machine parts to the advanced creating an AutoCAD dimension style containing the style settings defined by the ASME Y14 5 2009 Dimensioning and Tolerancing standard But un like the massive technical drawing reference texts on the market Technical Drawing 101 aims to present just the right mix of information and projects that can be reasonably covered by faculty and assimilated by students in one

semester Both mechanical and architectural projects are introduced to capture the interest of more students and to offer a broader appeal The authors have also created extensive video training 101 videos nearly 11 hours total that is included with every copy of the book In these videos the authors start of by getting students comfortable with the user interface and demonstrating how to use many of AutoCAD s tools and commands The videos progress to more advanced topics where the authors walk students through completing several of the projects in the book The CAD portion of the text incorporates drafting theory whenever possible and covers the basics of drawing setup units limits and layers the tools of the Draw Modify and Dimension toolbars and the fundamentals of 3D modeling By focusing on the fundamental building blocks of CAD Technical Drawing 101 provides a solid foundation for students going on to learn advanced CAD concepts and techniques paper space viewports xrefs annotative scaling etc in intermediate CAD courses In recognition of the diverse career interests of our students Technical Drawing 101 includes projects in which students create working drawings for a mechanical assembly as well as for an architectural project We include architectural drawing because our experience has shown that many if not most first semester drafting students are interested in careers in the architectural design field and that a traditional technical drawing text which focuses solely on mechanical drawing projects holds little interest for these students The multidisciplinary approach of this text and its supporting materials is intended to broaden the appeal of the curriculum and increase student interest and it is hoped future enrollments

Up and Running with AutoCAD 2015 Elliot J. Gindis,2014-07-04 Get Up and Running with AutoCAD using Gindis combination of step by step instruction examples and insightful explanations The emphasis from the beginning is on core concepts and practical application of AutoCAD in architecture engineering and design Equally useful in instructor led classroom training self study or as a professional reference the book is written with the user in mind by a long time AutoCAD professional and instructor based on what works in the industry and the classroom All basic commands are documented step by step what the student inputs and how AutoCAD responds is spelled out in discrete and clear steps with numerous screen shots Extensive supporting graphics and a summary with a self test section and topic specific drawing exercises are included at the end of each chapter Fully covers the essentials of both 2D and 3D in one easy to read volume New to this Edition More end of chapter exercises from both architecture and engineering disciplines provide practice in applying newly acquired AutoCAD skills All discussions and screen shots updated for the current release of AutoCAD An expanded appendix that discusses the future of AutoCAD computer aided design and other topics A companion website containing video lectures for each chapter for additional instruction and to make the material easy to follow Visit www.vtcdesign.com

Material Engineering And Mechanical Engineering - Proceedings Of Material Engineering And Mechanical Engineering (Meme2015) Huiyu Zhou,2016-05-26 The aim of proceeding of International Conference on Material Engineering and Mechanical Engineering MEME2015 is to provide a platform for researchers engineers and academicians as well as industrial professionals to present their research

results and applications developed for Material Engineering and Mechanical Engineering It provides an opportunities for the delegates to exchange new ideas and application experiences to enhance business or research relations and to find global partners for future collaboration The object is to strengthen national academic exchanges and cooperation in the field promote the rapid development of machinery materials science and engineering application effectively improve China s machinery materials science and engineering applications in the field of academic status and international influence [Up and Running with AutoCAD 2020](#) Elliot J. Gindis,Robert C. Kaebisch,2019-07-16 Up and Running with AutoCAD 2020 uses a combination of step by step instruction examples and insightful explanations to emphasize core concepts and practical application of AutoCAD in engineering architecture and design Equally useful in instructor led classroom training self study or as a reference the book is written with the user in mind by long time professional AutoCAD instructors based on what works in the industry and the classroom The book focuses on 2D drafting and design making it more appropriate for a one semester course Strips away complexities and reduces learning AutoCAD to easy to understand concepts Teaches the essentials of AutoCAD first immediately building student confidence Provides all basic commands documented step by step What the student inputs and how AutoCAD responds is spelled out in discrete and clear steps with numerous screenshots Presents extensive supporting graphics and a summary with a self test section and topic specific drawing exercises at the end of each chapter Covers the essentials of 2D AutoCAD updated for the 2020 release [Up and Running with AutoCAD 2019](#) Elliot J. Gindis,Robert C. Kaebisch,2018-07-20 Up and Running with AutoCAD 2019 2D Drafting and Design focuses on 2D drafting and design making it more appropriate for a one semester course The book provides step by step instruction examples and insightful explanations From the beginning the book emphasizes core concepts and the practical application of AutoCAD in engineering architecture and design Equally useful in instructor led classroom training self study or as a professional reference the book is written with the user in mind by a long time AutoCAD professional and instructor based on what works in the industry and the classroom Strips away complexities and reduces AutoCAD to easy to understand basic concepts Teaches the essentials of operating AutoCAD first immediately building student confidence Documents commands in a step by step explanation including what the student needs to type in and how AutoCAD responds Includes new exercises and projects for the AutoCAD 2019 version Offers online bonus content on AutoCAD 3D basics [Up and Running with AutoCAD 2016](#) Elliot J. Gindis,2015-07-11 Get up and running with AutoCAD using Gindis combination of step by step instruction examples and insightful explanations The emphasis from the beginning is on core concepts and practical application of AutoCAD in engineering architecture and design Equally useful in instructor led classroom training self study or as a professional reference the book is written with the user in mind by a long time AutoCAD professional and instructor based on what works in the industry and the classroom Strips away complexities and reduces AutoCAD to easy to understand basic concepts Fully covers the essentials of both 2D and 3D in one affordable easy to read volume All basic commands are

documented step by step what the student needs to type in and how AutoCAD responds is all spelled out in discrete and clear steps with screen shots added as needed Companion website with full series of video lectures that follow all 30 chapters New to Up and Running with AutoCAD 2016 New end of chapter exercises with a special focus on Level II and III 3D sections Addition of several new civil engineering drawing examples to address that special interest of users An expanded and clarified treatment of Materials and Rendering Chapter 30 New Appendix titled 3D Printing Technologies to address this growing technology field Autodesk AutoCAD 2016 Fundamentals Elise Moss,2015-03 Autodesk AutoCAD 2016 Fundamentals is designed to be used during instructor led training in an eight week course It is an introductory level textbook intended for new AutoCAD 2016 users This book covers all the fundamental skills necessary for effectively using AutoCAD and will provide a strong foundation for advancement This textbook applies the use of AutoCAD as it pertains to mechanical drafting Knowing how to draw a line in AutoCAD is not the same as understanding which line type is required when creating technical drawings This text not only provides the necessary information to operate AutoCAD 2016 but also provides the skills to use AutoCAD as a tool to work proficiently as a drafter or designer **Tools for Design Using AutoCAD 2016 and Autodesk Inventor 2016** Randy Shih,2015 Tools for Design is intended to provide the user with an overview of computer aided design using two popular CAD software packages from Autodesk AutoCAD and Autodesk Inventor This book explores the strengths of each package and shows how they can be used in design both separately and in combination with each other

Embark on a breathtaking journey through nature and adventure with its mesmerizing ebook, Witness the Wonders in **Mechanical Autocad 2015 Training Manual** . This immersive experience, available for download in a PDF format (Download in PDF: *), transports you to the heart of natural marvels and thrilling escapades. Download now and let the adventure begin!

<https://staging.conocer.cide.edu/results/book-search/Documents/grand%20prix%20jumping%20the%20american%20invitation.pdf>

Table of Contents Mechanical Autocad 2015 Training Manual

1. Understanding the eBook Mechanical Autocad 2015 Training Manual
 - The Rise of Digital Reading Mechanical Autocad 2015 Training Manual
 - Advantages of eBooks Over Traditional Books
2. Identifying Mechanical Autocad 2015 Training Manual
 - Exploring Different Genres
 - Considering Fiction vs. Non-Fiction
 - Determining Your Reading Goals
3. Choosing the Right eBook Platform
 - Popular eBook Platforms
 - Features to Look for in an Mechanical Autocad 2015 Training Manual
 - User-Friendly Interface
4. Exploring eBook Recommendations from Mechanical Autocad 2015 Training Manual
 - Personalized Recommendations
 - Mechanical Autocad 2015 Training Manual User Reviews and Ratings
 - Mechanical Autocad 2015 Training Manual and Bestseller Lists
5. Accessing Mechanical Autocad 2015 Training Manual Free and Paid eBooks
 - Mechanical Autocad 2015 Training Manual Public Domain eBooks
 - Mechanical Autocad 2015 Training Manual eBook Subscription Services

- Mechanical Autocad 2015 Training Manual Budget-Friendly Options
- 6. Navigating Mechanical Autocad 2015 Training Manual eBook Formats
 - ePub, PDF, MOBI, and More
 - Mechanical Autocad 2015 Training Manual Compatibility with Devices
 - Mechanical Autocad 2015 Training Manual Enhanced eBook Features
- 7. Enhancing Your Reading Experience
 - Adjustable Fonts and Text Sizes of Mechanical Autocad 2015 Training Manual
 - Highlighting and Note-Taking Mechanical Autocad 2015 Training Manual
 - Interactive Elements Mechanical Autocad 2015 Training Manual
- 8. Staying Engaged with Mechanical Autocad 2015 Training Manual
 - Joining Online Reading Communities
 - Participating in Virtual Book Clubs
 - Following Authors and Publishers Mechanical Autocad 2015 Training Manual
- 9. Balancing eBooks and Physical Books Mechanical Autocad 2015 Training Manual
 - Benefits of a Digital Library
 - Creating a Diverse Reading Collection Mechanical Autocad 2015 Training Manual
- 10. Overcoming Reading Challenges
 - Dealing with Digital Eye Strain
 - Minimizing Distractions
 - Managing Screen Time
- 11. Cultivating a Reading Routine Mechanical Autocad 2015 Training Manual
 - Setting Reading Goals Mechanical Autocad 2015 Training Manual
 - Carving Out Dedicated Reading Time
- 12. Sourcing Reliable Information of Mechanical Autocad 2015 Training Manual
 - Fact-Checking eBook Content of Mechanical Autocad 2015 Training Manual
 - Distinguishing Credible Sources
- 13. Promoting Lifelong Learning
 - Utilizing eBooks for Skill Development
 - Exploring Educational eBooks
- 14. Embracing eBook Trends

- Integration of Multimedia Elements
- Interactive and Gamified eBooks

Mechanical Autocad 2015 Training Manual Introduction

Mechanical Autocad 2015 Training Manual Offers over 60,000 free eBooks, including many classics that are in the public domain. Open Library: Provides access to over 1 million free eBooks, including classic literature and contemporary works. Mechanical Autocad 2015 Training Manual Offers a vast collection of books, some of which are available for free as PDF downloads, particularly older books in the public domain. Mechanical Autocad 2015 Training Manual : This website hosts a vast collection of scientific articles, books, and textbooks. While it operates in a legal gray area due to copyright issues, its a popular resource for finding various publications. Internet Archive for Mechanical Autocad 2015 Training Manual : Has an extensive collection of digital content, including books, articles, videos, and more. It has a massive library of free downloadable books. Free-eBooks Mechanical Autocad 2015 Training Manual Offers a diverse range of free eBooks across various genres. Mechanical Autocad 2015 Training Manual Focuses mainly on educational books, textbooks, and business books. It offers free PDF downloads for educational purposes. Mechanical Autocad 2015 Training Manual Provides a large selection of free eBooks in different genres, which are available for download in various formats, including PDF. Finding specific Mechanical Autocad 2015 Training Manual, especially related to Mechanical Autocad 2015 Training Manual, might be challenging as theyre often artistic creations rather than practical blueprints. However, you can explore the following steps to search for or create your own Online Searches: Look for websites, forums, or blogs dedicated to Mechanical Autocad 2015 Training Manual, Sometimes enthusiasts share their designs or concepts in PDF format. Books and Magazines Some Mechanical Autocad 2015 Training Manual books or magazines might include. Look for these in online stores or libraries. Remember that while Mechanical Autocad 2015 Training Manual, sharing copyrighted material without permission is not legal. Always ensure youre either creating your own or obtaining them from legitimate sources that allow sharing and downloading. Library Check if your local library offers eBook lending services. Many libraries have digital catalogs where you can borrow Mechanical Autocad 2015 Training Manual eBooks for free, including popular titles. Online Retailers: Websites like Amazon, Google Books, or Apple Books often sell eBooks. Sometimes, authors or publishers offer promotions or free periods for certain books. Authors Website Occasionally, authors provide excerpts or short stories for free on their websites. While this might not be the Mechanical Autocad 2015 Training Manual full book , it can give you a taste of the authors writing style. Subscription Services Platforms like Kindle Unlimited or Scribd offer subscription-based access to a wide range of Mechanical Autocad 2015 Training Manual eBooks, including some popular titles.

FAQs About Mechanical Autocad 2015 Training Manual Books

How do I know which eBook platform is the best for me? Finding the best eBook platform depends on your reading preferences and device compatibility. Research different platforms, read user reviews, and explore their features before making a choice. Are free eBooks of good quality? Yes, many reputable platforms offer high-quality free eBooks, including classics and public domain works. However, make sure to verify the source to ensure the eBook credibility. Can I read eBooks without an eReader? Absolutely! Most eBook platforms offer web-based readers or mobile apps that allow you to read eBooks on your computer, tablet, or smartphone. How do I avoid digital eye strain while reading eBooks? To prevent digital eye strain, take regular breaks, adjust the font size and background color, and ensure proper lighting while reading eBooks. What the advantage of interactive eBooks? Interactive eBooks incorporate multimedia elements, quizzes, and activities, enhancing the reader engagement and providing a more immersive learning experience. Mechanical Autocad 2015 Training Manual is one of the best book in our library for free trial. We provide copy of Mechanical Autocad 2015 Training Manual in digital format, so the resources that you find are reliable. There are also many Ebooks of related with Mechanical Autocad 2015 Training Manual. Where to download Mechanical Autocad 2015 Training Manual online for free? Are you looking for Mechanical Autocad 2015 Training Manual PDF? This is definitely going to save you time and cash in something you should think about.

Find Mechanical Autocad 2015 Training Manual :

[grand prix jumping; the american invitational](#)

government information on the internet 2000 government information on the internet 3rd ed

[grammar practice for intermediate students gram practice inter stud nokey ne grpr](#)

graffiti wannabes

graduate studies in education with cdrom

government of dependencies

[gran libro de la magia y la brujeria](#)

[grampa goes west](#)

goya the colour library of art

[grammar of television production](#)

grace king of new orleans a selection of her writings

grammar and discourse principles functional syntax and gb theory

[grand prix ferrari](#)

[government giveaways for entrepreneurs iv](#)

[grammar for improving writing and reading skills](#)

Mechanical Autocad 2015 Training Manual :

[wooldridge solutions manual econometrics](#) - Apr 10 2023

web step by step video answers explanations by expert educators for all introductory econometrics 6th by jeffrey m

wooldridge only on numerade com

econometrics 6th edition by wooldridge instructor s manual with - Aug 02 2022

web our resource for introductory econometrics a modern approach includes answers to chapter exercises as well as detailed information to walk you through the process step

jeffrey m wooldridge answer key introduc studocu - Feb 25 2022

web jeffrey m wooldridge senior vice president lrs acquisitions solutions planning jack w calhoun appendix f answers to chapter questions 821 appendix g statistical

[introductory econometrics a modern approach ut](#) - Jan 27 2022

web 18 hours ago by david voreacos september 14 2023 at 10 30 am pdt listen 0 15 joe biden s son hunter was indicted on federal charges that he purchased a firearm without

introductory econometrics 7th edition wooldridge - Sep 03 2022

web i am an instructor at a college in kenya and because we cannot afford to officially adopt the book the company is refusing to give me access to it not able to find it for 6th edition

solutions for introductory econometrics 6th by jeffrey m - May 11 2023

web this manual contains solutions to the odd numbered problems and computer exercises in introductory econometrics a modern approach 4e hopefully you will find that the

[wooldridge solutions student solutions](#) - Aug 14 2023

this manual contains solutions to the odd numbered problems and computer exercises in introductory econometrics a modern approach 4e hopefully you will find that the solutions are detailed enough to act as a study supplement to the text rather than just presenting the final answer i usually provide see more

how to pronounce wooldridge howtopronounce com - Jul 21 2021

web the wooldridge family name was found in the usa the uk canada and scotland between 1840 and 1920 the most wooldridge families were found in united kingdom

solutions of wooldridge introductory eco studocu - May 19 2021

wooldridge solutions and problems for chapter 3 course hero - May 31 2022

web view homework help solutions wooldridge chap 04 pdf from finance 1234 at national taiwan university of science and technology wooldridge chapter 4

wooldridge name meaning wooldridge family history at - Jun 19 2021

web solutions of wooldridge introductory eco this edition is intended for use outside of the u only studocu contents preface suggested course outlines iv chapter the nature of

wooldridge 7e ch08 im the answers that can deal with the - Mar 29 2022

web to find the increase in the number of siblings that reduces predicted education by one year we solve 1 094 Δ sibs so Δ sibs 1 10 ii holding sibs and feduc fixed one more

a trailhead shuttle may be the answer to lanikai s parking - Sep 22 2021

web sep 9 2023 ernie touted as baidu s answer to chatgpt was introduced with great fanfare in recent weeks pumping up the company s shares baidu said it had received

finance1234 solutions wooldridge chap 04 pdf course hero - Apr 29 2022

web the answers that can deal with the problems from our textbook 104 chapter heteroskedasticity table of contents teaching notes solutions to problems solutions to

wooldridge chapter 10 basic regression analysis solutions - Feb 08 2023

web step by step video answers explanations by expert educators for all a modern approach 7th by jeffrey m wooldridge only on numerade com

student solutions manual - Jun 12 2023

2 i income age and family background such as number of siblings are just a few possibilities it seems that each of these could be correlated with years of education income and education are probably positively see more

solutions for a modern approach 7th numerade - Jan 07 2023

web this edition is intended for use outside of the u s only with content that may be different from the u s edition this may not be resold copied or distributed without the prior

introductory econometrics a modern approach 7th edition - Jul 01 2022

web solutions to problems 3 1 i hspcr is defined so that the smaller it is the lower the student s standing in high school everything else equal the worse the student s

e pub wooldridge problem answers free epub fullpersonalcare - Nov 24 2021

web sep 11 2023 student loan borrowers are spending a lot of time on hold says federal watchdog millions of americans are getting ready to repay their federal student loans

cerge ei101 wooldridge student solutions course hero - Dec 06 2022

web view homework help wooldridge solutions and problems for chapter 6 from econ 466 at binghamton university chapter 6 teaching notes i cover most of chapter

pdf solution manual for introductory econometrics - Mar 09 2023

web the δ^j can be obtained from $\delta^j \gamma^0 \gamma^1 \gamma^2$ iii the unrestricted model is the original equation which has six parameters α_0 and the five δ_j the pdl model has four

wooldridge solutions and problems for chapter 6 course hero - Nov 05 2022

web payload allshortcutsenabled false filetree items name gitignore path gitignore contenttype file name apIndices wooldridge pdf

student loan borrowers are waiting too long for answers says - Oct 24 2021

web 1 day ago the nonprofit hanalei initiative says between 100 and 200 cars were diverted from the road per day in 2022 adding up to more than 50 000 cars not contributing to

hunter Biden indicted on federal firearms charges in Delaware - Dec 26 2021

web aug 17 2023 of models for missing data problems more detailed treatment of cluster problems an important topic for empirical researchers expanded discussion of

elusive Ernie China's new chatbot has a censorship problem - Aug 22 2021

web sep 4 2023 wooldridge monuments the wooldridge monuments are a series of historical monuments located in maplewood cemetery of Mayfield Kentucky

solutions of wooldridge econometrics this edition is - Jul 13 2023

1 i ideally we could randomly assign students to classes of different sizes that is each student is assigned a different class size without regard to any student characteristics such as ability and family background for see more

github let's build from here github - Oct 04 2022

web textbook solutions for introductory econometrics 7th edition wooldridge and others in this series view step by step homework solutions for your homework ask our

sit on top kayak a beginner's manual worldcat.org - Apr 17 2023

web sit on top kayak a beginner's manual by Hairon Derek July 1 2007 paperback on Amazon.com free shipping on qualifying offers sit on top kayak a beginner's

sit on top kayak a beginner's manual Amazon.co.uk - Jul 20 2023

web jan 1 2007 this is a complete beginner s guide to the sit on top kayak sit on top kayaking is the fastest growing water based activity it s fun and easy to learn anyone

sit on top kayak a beginner s manual google books - Oct 23 2023

web 7 rows using colour photos and clear descriptions this book is the perfect introduction to sit on top

sit on top kayak a beginner s manual playak com - May 18 2023

web sit on top kayak a beginner s manual author derek hairon summary sit on top kayaking is the fastest growing water based activity this title acts as a guide to sit on

how to use a sit on top kayak to literally do - Sep 22 2023

web sit on top kayaking is the fastest growing water based activity this title acts as a guide to sit on top kayak it explores choosing the right kayak how to store and transport it how

sit on top kayak a beginner s manual itcher com - Apr 05 2022

web with a firm grip on the edge of the kayak let your legs float to the surface behind you and then give a powerful kick of the legs and push with your arms to haul your chest up and

sit on top kayak a beginner s manual by hairon derek july 1 - Mar 16 2023

web find many great new used options and get the best deals for sit on top kayak a beginner s manual by derek hairon 9781906095024 at the best online prices at ebay

sit on top kayak a beginner s manual amazon com au - Aug 21 2023

web jul 1 2007 buy sit on top kayak a beginner s manual by hairon derek isbn 9781906095024 from amazon s book store everyday low prices and free delivery on

sit on top kayak a beginner s manual by derek hairon alibris - Jan 14 2023

web buy sit on top kayak a beginner s manual by hairon derek 2007 by isbn from amazon s book store everyday low prices and free delivery on eligible orders

sit on top kayak a beginner s manual by derek hairon - Feb 15 2023

web buy sit on top kayak a beginner s manual by derek hairon online at alibris we have new and used copies available in 1 editions starting at 12 47 shop now

best sit on top kayaks kayak manual - Feb 03 2022

web from 81 82 1 new from 81 82 this is a complete beginner s guide to the sit on top kayak sit on top kayaking is the fastest growing water based activity it s fun and easy to

amazon in customer reviews sit on top kayak a - Oct 11 2022

web so there you have it the right sit on top kayak for you is a great choice as you get started on the water here you ve

learned about types of kayaks how to choose your sit on

best sit on top kayaks for beginners kayaker nation - Jun 07 2022

web a sit on top kayak can be used for a variety of purposes the same boat could be used for fishing surfing in the ocean floating on a lake or navigating the currents and eddies of

sit on top kayak a beginner s manual by hairon derek 2007 - Dec 13 2022

web sit on top kayak a beginner s manual derek hairon paperback 96 pages publisher pesda press 1st july 2007 language english isbn 10 1906095027 isbn 13 978

[a guide to choosing the best sit on top kayak for beginners](#) - Aug 09 2022

web topkayaker sit on top kayak a beginner s manual 978 1 906095 02 4 a complete beginner s guide to the sit on top kayak sit on top kayaking is fun and easy to learn

[sit on top kayak a beginner s manual 978 1 906095 02 4](#) - Jul 08 2022

web jan 16 2021 our top 5 sit on top kayaks for beginners 1 ocean kayak frenzy check price on amazon the details the ocean kayak frenzy is a sit on top

sit on top kayaking for beginners peaceful paddle - Sep 10 2022

web quick overview of the 3 simple steps to choosing the best sit on top kayak for a beginner choose the type of sit on top kayak that is designed for your chosen activities there are

[17 reasons why i m choosing a sit on top kayak and not a](#) - May 06 2022

web books like sit on top kayak a beginner s manual find out more recommended books with our spot on books app sit on top kayak a beginner s manual synopsis

sit on top kayak a beginner s manual anglers net - Nov 12 2022

web find helpful customer reviews and review ratings for sit on top kayak a beginner s manual at amazon com read honest and unbiased product reviews from our users

[sit on top kayak derek hairon 9781906095024](#) - Jun 19 2023

web this is a complete beginner s guide to the sit on top kayak sit on top kayaking is the fastest growing water based activity it s fun

[how to re enter a sit on top kayak paddling com](#) - Mar 04 2022

web now as you can understand choosing a sit on top kayak is not an easy job there are so many things involved that might make you feel overwhelmed to help you out here we at

paperback amazon com spend less smile more - Jan 02 2022

duden suchen uhr - Jul 03 2022

web rund um die uhr be wa chung substantiv feminin uhr zeit substantiv feminin nutzen sie duden online ohne werbung und tracking auf allen endgeräten für nur 1 99 monat bestellen sie haben bereits duden plus

9783411810185 duden die uhr und die zeit erste lernschritte - Dec 08 2022

web duden die uhr und die zeit erste lernschritte fühlen und begreifen finden sie alle bücher von schulze hanneliese schiefelbein nina bei der büchersuchmaschine eurobuch com können sie antiquarische und neubücher vergleichen und sofort zum bestpreis bestellen 9783411810185

duden die uhr und die zeit erste lernschritte fühlen und - Sep 05 2022

web duden die uhr und die zeit erste lernschritte fühlen und begreifen duden pappbilderbücher 36 monate by hanneliese schulze machen sie heimlich blau stiftung lesen duden die uhr und die zeit may 11th 2020 und damit ist sie im wahrsten sinne schwer zu begreifen wie schön dass

duden 36 die uhr und die zeit uhrzeit und jahreszeiten - May 13 2023

web ein uhrenbuch zum mitmachen in diesem ersten uhrenbuch lernen kinder die uhr die zeiteinheiten den tagesablauf und die jahreszeiten kennen eine ausklappbare uhr mit beweglichen zeigern bleibt beim blättern sichtbar und

duden die uhr und die zeit erste lernschritte fühlen und - Jul 15 2023

web duden die uhr und die zeit erste lernschritte fühlen und begreifen schulze hanneliese amazon com tr kitap

duden die uhr und die zeit erste lernschritte fuh pdf pdf - Dec 28 2021

web introduction duden die uhr und die zeit erste lernschritte fuh pdf pdf der grosse duden duden rechtschreibung der deutschen sprache und der fremdwörter 15

duden die uhr und die zeit erste lernschritte fuh download - Mar 31 2022

web duden die uhr und die zeit erste lernschritte fuh downloaded from arenaserver click by guest jazmin bates deutsche grammatik für dummies diplom de in diesem buch wird die geschichte des diskurses über die rechtschreibreform aus diskurslinguistischer perspektive nachgezeichnet auf der basis eines umfangreichen korpus mit 733

duden die uhr und die zeit erste lernschritte fuh pdf - Feb 27 2022

web 4 duden die uhr und die zeit erste lernschritte fuh 2023 06 21 derartige einsätze die politische verantwortung trägt des weiteren unterzieht der autor die neuesten Änderungsvorschläge der in der vergangenen legislaturperiode vom deutschen bundestag eingesetzten kommission zur Überprüfung und sicherung der parlamentsrechte bei der

duden die uhr und die zeit erste lernschritte fuh copy - Jun 02 2022

web apr 26 2023 duden die uhr und die zeit erste lernschritte fuh 1 7 downloaded from uniport edu ng on april 26 2023 by guest duden die uhr und die zeit erste lernschritte fuh as recognized adventure as skillfully as experience practically lesson

amusement as competently as harmony can be gotten by just checking out a ebook

duden 36 die uhr und die zeit uhrzeit und jahreszeiten - Aug 16 2023

web duden 36 die uhr und die zeit uhrzeit und jahreszeiten kennen lernen erste lernschritte fühlen und begreifen mit

spieluhr duden pappbilderbücher 36 monate band 2 schulze hanneliese amazon com tr kitap

duden schreibung von uhrzeitangaben - Nov 07 2022

web schreibung von uhr zeit angaben möchte man sich mündlich über termine verständigen so ist das in der regel kein

problem das treffen findet um drei uhr statt oder auch um fünfzehn uhr wird das ganze jedoch schriftlich festgehalten stellt

sich die frage welche möglichkeiten der uhrzeitangabe es gibt und das sind eine ganze menge

duden die uhr und die zeit erste lernschritte fuh copy - Jan 29 2022

web 4 duden die uhr und die zeit erste lernschritte fuh 2021 09 09 klimaveränderungen und die ressourcenschonung die

endlichkeit der fossilen brennstoffe ihre steigenden preise bei politischen unruhen und die abhängigkeit deutschlands von

anderen staaten zwingen zum umdenken in der energienutzung außerdem fordert der anstieg von

duden die uhr und die zeit erste lernschritte fühlen und begreifen - Mar 11 2023

web duden die uhr und die zeit erste lernschritte fühlen und begreifen schulze hanneliese schulze hanneliese westphal

catharina isbn 9783411703470 kostenloser versand für alle bücher mit versand und verkauf duch amazon

duden uhrzeit rechtschreibung bedeutung definition herkunft - Oct 06 2022

web definition rechtschreibung synonyme und grammatik von uhrzeit auf duden online nachschlagen wörterbuch der

deutschen sprache

duden die uhr und die zeit erste lernschritte fuh hueber - Aug 04 2022

web as this duden die uhr und die zeit erste lernschritte fuh it ends happening creature one of the favored books duden die

uhr und die zeit erste lernschritte fuh collections that we have this is why you remain in the best website to look the amazing

ebook to have online distance education olaf zawacki richter 2014 06 01

duden die uhr und die zeit erste lernschritte fühlen und - Jun 14 2023

web duden die uhr und die zeit erste lernschritte fühlen und begreifen duden erstes begreifen schulze hanneliese schulze

hanneliese westphal catharina isbn 9783411810185 kostenloser versand für alle bücher

duden die uhr und die zeit erste lernschritte fuh pdf - May 01 2022

web may 3 2023 duden die uhr und die zeit erste lernschritte fuh 1 5 downloaded from uniport edu ng on may 3 2023 by

guest duden die uhr und die zeit erste lernschritte fuh recognizing the exaggeration ways to get this book duden die uhr und

die zeit erste lernschritte fuh is additionally useful

duden die uhr und die zeit erste lernschritte fühlen und - Feb 10 2023

web sehen fühlen und begreifen in diesem band lernen kinder ab 4 jahren die uhr und die zeit kennen eine ausklappbare uhr mit beweglichen zeigern bleibt beim blättern sichtbar und animiert zum ausprobieren und Üben mit fröhlichen illustrationen und lustigen reimen zum mitsprechen macht das lernen doppelt spaß

duden die uhr und die zeit erste lernschritte open library - Apr 12 2023

web mar 19 2009 duden die uhr und die zeit erste lernschritte by hanneliese schulze mar 19 2009 fischer duden edition board book

duden die uhr und die zeit erste lernschritte fuh book - Jan 09 2023

web getting the books duden die uhr und die zeit erste lernschritte fuh now is not type of challenging means you could not solitary going in the same way as ebook accretion or library or borrowing from your friends to log on them this is an entirely easy means to specifically get guide by on line this online