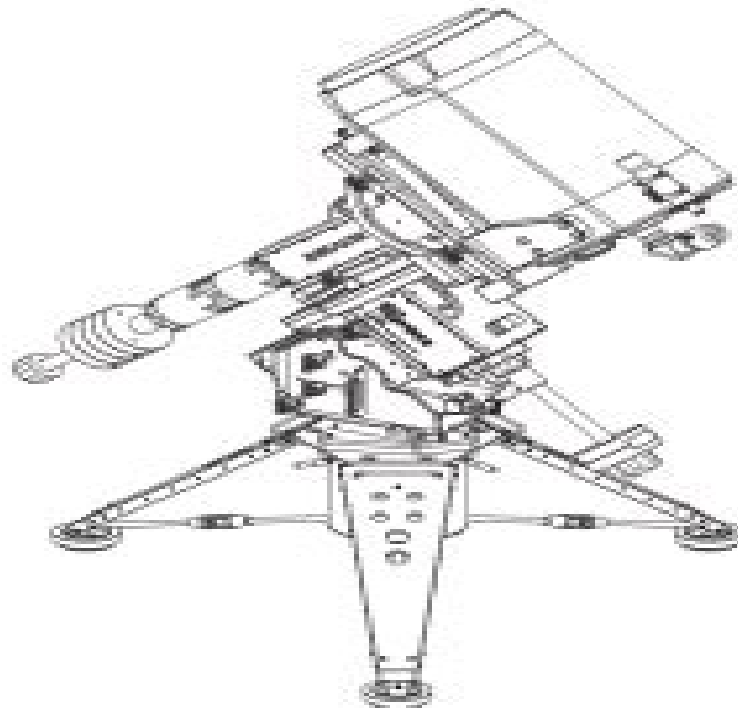


Instruction Manual

16", 20" RCX400™ Advanced Ritchey-Chrétien Telescopes
with The Max Mount



MEADE.COM



MEADE

Meade Rcx40user Guide

R Barnett



Meade Rcx40user Guide:

Immerse yourself in heartwarming tales of love and emotion with its touching creation, **Meade Rcx40user Guide** . This emotionally charged ebook, available for download in a PDF format (*), is a celebration of love in all its forms. Download now and let the warmth of these stories envelop your heart.

https://staging.conocer.cide.edu/results/uploaded-files/index.jsp/intervention_of_philology_gender_learning_and_power_in_loh_ensteins_roman_plays.pdf

Table of Contents Meade Rcx40user Guide

1. Understanding the eBook Meade Rcx40user Guide
 - The Rise of Digital Reading Meade Rcx40user Guide
 - Advantages of eBooks Over Traditional Books
2. Identifying Meade Rcx40user Guide
 - Exploring Different Genres
 - Considering Fiction vs. Non-Fiction
 - Determining Your Reading Goals
3. Choosing the Right eBook Platform
 - Popular eBook Platforms
 - Features to Look for in an Meade Rcx40user Guide
 - User-Friendly Interface
4. Exploring eBook Recommendations from Meade Rcx40user Guide
 - Personalized Recommendations
 - Meade Rcx40user Guide User Reviews and Ratings
 - Meade Rcx40user Guide and Bestseller Lists
5. Accessing Meade Rcx40user Guide Free and Paid eBooks
 - Meade Rcx40user Guide Public Domain eBooks
 - Meade Rcx40user Guide eBook Subscription Services
 - Meade Rcx40user Guide Budget-Friendly Options

6. Navigating Meade Rcx40user Guide eBook Formats
 - ePub, PDF, MOBI, and More
 - Meade Rcx40user Guide Compatibility with Devices
 - Meade Rcx40user Guide Enhanced eBook Features
7. Enhancing Your Reading Experience
 - Adjustable Fonts and Text Sizes of Meade Rcx40user Guide
 - Highlighting and Note-Taking Meade Rcx40user Guide
 - Interactive Elements Meade Rcx40user Guide
8. Staying Engaged with Meade Rcx40user Guide
 - Joining Online Reading Communities
 - Participating in Virtual Book Clubs
 - Following Authors and Publishers Meade Rcx40user Guide
9. Balancing eBooks and Physical Books Meade Rcx40user Guide
 - Benefits of a Digital Library
 - Creating a Diverse Reading Collection Meade Rcx40user Guide
10. Overcoming Reading Challenges
 - Dealing with Digital Eye Strain
 - Minimizing Distractions
 - Managing Screen Time
11. Cultivating a Reading Routine Meade Rcx40user Guide
 - Setting Reading Goals Meade Rcx40user Guide
 - Carving Out Dedicated Reading Time
12. Sourcing Reliable Information of Meade Rcx40user Guide
 - Fact-Checking eBook Content of Meade Rcx40user Guide
 - Distinguishing Credible Sources
13. Promoting Lifelong Learning
 - Utilizing eBooks for Skill Development
 - Exploring Educational eBooks
14. Embracing eBook Trends
 - Integration of Multimedia Elements

- Interactive and Gamified eBooks

Meade Rcx40user Guide Introduction

In this digital age, the convenience of accessing information at our fingertips has become a necessity. Whether its research papers, eBooks, or user manuals, PDF files have become the preferred format for sharing and reading documents. However, the cost associated with purchasing PDF files can sometimes be a barrier for many individuals and organizations. Thankfully, there are numerous websites and platforms that allow users to download free PDF files legally. In this article, we will explore some of the best platforms to download free PDFs. One of the most popular platforms to download free PDF files is Project Gutenberg. This online library offers over 60,000 free eBooks that are in the public domain. From classic literature to historical documents, Project Gutenberg provides a wide range of PDF files that can be downloaded and enjoyed on various devices. The website is user-friendly and allows users to search for specific titles or browse through different categories. Another reliable platform for downloading Meade Rcx40user Guide free PDF files is Open Library. With its vast collection of over 1 million eBooks, Open Library has something for every reader. The website offers a seamless experience by providing options to borrow or download PDF files. Users simply need to create a free account to access this treasure trove of knowledge. Open Library also allows users to contribute by uploading and sharing their own PDF files, making it a collaborative platform for book enthusiasts. For those interested in academic resources, there are websites dedicated to providing free PDFs of research papers and scientific articles. One such website is Academia.edu, which allows researchers and scholars to share their work with a global audience. Users can download PDF files of research papers, theses, and dissertations covering a wide range of subjects. Academia.edu also provides a platform for discussions and networking within the academic community. When it comes to downloading Meade Rcx40user Guide free PDF files of magazines, brochures, and catalogs, Issuu is a popular choice. This digital publishing platform hosts a vast collection of publications from around the world. Users can search for specific titles or explore various categories and genres. Issuu offers a seamless reading experience with its user-friendly interface and allows users to download PDF files for offline reading. Apart from dedicated platforms, search engines also play a crucial role in finding free PDF files. Google, for instance, has an advanced search feature that allows users to filter results by file type. By specifying the file type as "PDF," users can find websites that offer free PDF downloads on a specific topic. While downloading Meade Rcx40user Guide free PDF files is convenient, its important to note that copyright laws must be respected. Always ensure that the PDF files you download are legally available for free. Many authors and publishers voluntarily provide free PDF versions of their work, but its essential to be cautious and verify the authenticity of the source before downloading Meade Rcx40user Guide. In conclusion, the internet offers numerous platforms and websites that allow users to download free PDF files legally. Whether its classic literature, research papers, or

magazines, there is something for everyone. The platforms mentioned in this article, such as Project Gutenberg, Open Library, Academia.edu, and Issuu, provide access to a vast collection of PDF files. However, users should always be cautious and verify the legality of the source before downloading Meade Rcx40user Guide any PDF files. With these platforms, the world of PDF downloads is just a click away.

FAQs About Meade Rcx40user Guide Books

How do I know which eBook platform is the best for me? Finding the best eBook platform depends on your reading preferences and device compatibility. Research different platforms, read user reviews, and explore their features before making a choice. Are free eBooks of good quality? Yes, many reputable platforms offer high-quality free eBooks, including classics and public domain works. However, make sure to verify the source to ensure the eBook credibility. Can I read eBooks without an eReader? Absolutely! Most eBook platforms offer webbased readers or mobile apps that allow you to read eBooks on your computer, tablet, or smartphone. How do I avoid digital eye strain while reading eBooks? To prevent digital eye strain, take regular breaks, adjust the font size and background color, and ensure proper lighting while reading eBooks. What the advantage of interactive eBooks? Interactive eBooks incorporate multimedia elements, quizzes, and activities, enhancing the reader engagement and providing a more immersive learning experience. Meade Rcx40user Guide is one of the best book in our library for free trial. We provide copy of Meade Rcx40user Guide in digital format, so the resources that you find are reliable. There are also many Ebooks of related with Meade Rcx40user Guide. Where to download Meade Rcx40user Guide online for free? Are you looking for Meade Rcx40user Guide PDF? This is definitely going to save you time and cash in something you should think about. If you trying to find then search around for online. Without a doubt there are numerous these available and many of them have the freedom. However without doubt you receive whatever you purchase. An alternate way to get ideas is always to check another Meade Rcx40user Guide. This method for see exactly what may be included and adopt these ideas to your book. This site will almost certainly help you save time and effort, money and stress. If you are looking for free books then you really should consider finding to assist you try this. Several of Meade Rcx40user Guide are for sale to free while some are payable. If you arent sure if the books you would like to download works with for usage along with your computer, it is possible to download free trials. The free guides make it easy for someone to free access online library for download books to your device. You can get free download on free trial for lots of books categories. Our library is the biggest of these that have literally hundreds of thousands of different products categories represented. You will also see that there are specific sites catered to different product types or categories, brands or niches related with Meade Rcx40user Guide. So depending on what exactly you are searching, you will be able to choose e books to suit your

own need. Need to access completely for Campbell Biology Seventh Edition book? Access Ebook without any digging. And by having access to our ebook online or by storing it on your computer, you have convenient answers with Meade Rcx40user Guide To get started finding Meade Rcx40user Guide, you are right to find our website which has a comprehensive collection of books online. Our library is the biggest of these that have literally hundreds of thousands of different products represented. You will also see that there are specific sites catered to different categories or niches related with Meade Rcx40user Guide So depending on what exactly you are searching, you will be able to choose ebook to suit your own need. Thank you for reading Meade Rcx40user Guide. Maybe you have knowledge that, people have search numerous times for their favorite readings like this Meade Rcx40user Guide, but end up in harmful downloads. Rather than reading a good book with a cup of coffee in the afternoon, instead they juggled with some harmful bugs inside their laptop. Meade Rcx40user Guide is available in our book collection an online access to it is set as public so you can download it instantly. Our digital library spans in multiple locations, allowing you to get the most less latency time to download any of our books like this one. Merely said, Meade Rcx40user Guide is universally compatible with any devices to read.

Find Meade Rcx40user Guide :

intervention of philology gender learning and power in lohensteins roman plays

interventional nuclear medicine

intersecting pathways modern jewish theologians in conversation with christianity

interpreting bachs well-tempered clavier

international politics in southern africa

interviewing handbook for college graduates

internet marketing building advantage in a network economy 2nd ed. international edition

interpreting man

interview green integer 6

interviews with my guardian angel

into infinity from earth to the stars

into an old room a memoir of edward fitz

into the heart of the sea

international shopping center architecture details concepts projects

into eclipse

Meade Rcx40user Guide :

academic planner 2019 20 i am very busy chinese weekly - Apr 29 2022

web academic planner 2019 20 i am very busy chinese weekly monthly view kraft paper amazon sg books

weekly planner 2019 i am very busy chinese 8 5 x full pdf - Mar 29 2022

web 2 weekly planner 2019 i am very busy chinese 8 5 x 2020 01 15 just update the same listing each year what it includes flippable notepad straightforward weekly lined

9781720935407 weekly planner jul 18 dec 19 chinese i am - Oct 04 2022

web weekly planner jul 18 dec 19 chinese i am very busy 2018 2019 planner 18 month weekly view planner to do lists

motivational quotes jul 18 dec 19 volume 3 18

academic planner 2019 20 i am very busy chinese weekly - Nov 05 2022

web buy academic planner 2019 20 i am very busy chinese weekly monthly view kraft paper by online on amazon ae at best prices fast and free shipping free returns cash

weekly planner 2019 i am very busy chinese 8 5 x pdf pdf - Jul 13 2023

web chinese i am very busy weekly view planner 2018 19 features 8 5x11 dimensions us letter size perfect for putting in your bag or sitting pride of place on your desk

amazon com i am very busy planner 2019 - Aug 14 2023

web delivering to lebanon 66952 choose location for most accurate options all select the department you want to search in

academic planner 2018 19 chinese i am very busy weekly - Sep 22 2021

web buy academic planner 2018 19 chinese i am very busy weekly monthly views to do lists goal setting class schedules more by diaries planners and journals

gifts for linguists ser i am very busy weekly planner 2019 - Jun 12 2023

web i am very busy weekly planner 2019 multilingual 8 5 x 11 in weekly view 2019 planner organizer with dotted grid pages motivational quotes to do lists french

amazon com i am very busy planner - May 11 2023

web i am very busy five year planner 2019 2023 2019 2023 five year 60 week daily weekly monthly planner organizer agenda and calendar with american uk

buy weekly planner jul 18 dec 19 chinese i am very busy - Jan 07 2023

web amazon in buy weekly planner jul 18 dec 19 chinese i am very busy 2018 2019 planner 18 month weekly view planner to do lists motivational quotes jul 18

very busy planners academic planner 2019 20 i am very busy - Aug 02 2022

web buy very busy planners academic planner 2019 20 i am very busy chinese weekly monthly view kraft paper series 2 paperback at walmart com

[free printable weekly planner for excel vertex42](#) - Jan 27 2022

web aug 26 2015 create your own weekly planner using our free printable weekly planner template for excel our weekly planner was designed to allow you to print weekly

weekly planner template with to do list free printable - Oct 24 2021

web simply download and print them at home or office scroll down for print and download options this free printable weekly planner with to do list helps keep track of your

academic planner 2018 19 chinese i am very busy weekly - Feb 08 2023

web buy academic planner 2018 19 chinese i am very busy weekly monthly views to do lists goal setting class schedules more online on amazon eg at best prices

weekly planner bi office - Nov 24 2021

web bi office weekly planners are ideal to manage weekly schedules and use your time efficiently this planner will help you to keep track of tasks and responsibilities

[academic planner 2019 20 i am very busy chinese goodreads](#) - May 31 2022

web 2019 2020 academic planner aug july welcome to pop academic your one stop shop for the funkiest planners to get you through the school year in envy enducing style

[i am very busy in chinese 2018 2019 weekly planner amazon de](#) - Apr 10 2023

web i am very busy in chinese 2018 2019 weekly planner our brand new gorgeous i am very busy in chinese script 18 month planner has finally arrived beautifully hand

amazon com weekly planner - Dec 26 2021

web weekly planner pad weekly to do list notepad with 52 tear off sheets 8 5 11 undated weekly desk planner for women man work and home serene green 18

academic planner 2019 20 i am very busy chinese weekly - Sep 03 2022

web apr 18 2019 buy academic planner 2019 20 i am very busy chinese weekly monthly view kraft paper very busy planners by academic pop isbn

weekly planner 2019 i am very busy chinese 8 5 x full pdf - Feb 25 2022

web planner 2019 i am very busy chinese 8 5 x but stop going on in harmful downloads rather than enjoying a good ebook in imitation of a cup of coffee in the afternoon then

i am very busy 2019 planner pretty personal daily weekly and - Mar 09 2023

web i am very busy 2019 planner pretty personal daily weekly and monthly pocket size 2019 planner and organizer cute golden small inspirational yearly calendar journal

academic planner 2019 20 i am very busy chinese weekly - Dec 06 2022

web apr 18 2019 academic planner 2019 20 i am very busy chinese weekly monthly view kraft paper very busy planners academic pop on amazon com free

buy academic planner 2019 20 i am very busy chinese - Jul 01 2022

web amazon in buy academic planner 2019 20 i am very busy chinese weekly monthly view kraft paper very busy planners book online at best prices in india on

the 39 clues cahill s vs vespers archive org - Oct 04 2022

web oct 2 2018 the 39 clues cahill s vs vespers collection opensource language english the 39 clues cahill s vs vespers addeddate 2018 10 02 01 54 52 identifier

the medusa plot the 39 clues cahills vs vespers book 1 - Jan 07 2023

web aug 30 2011 cahills are being kidnapped by a shadowy group known only as the vespers now amy and dan have only days to fulfill a bizarre ransom request or their

the medusa plot 1 the 39 clues cahills vs vespers - Mar 09 2023

web aug 30 2011 the medusa plot is the first book in the cahills vs vespers series the book was written by gordon korman and released on august 30 2011 the story picks

the medusa plot 39 clues cahills vs vespers series - Jul 13 2023

one by one distress calls start coming in from around the globe cahills are being kidnapped by a shadowy group known only as the vespers now amy and dan have just days to see more

the medusa plot the 39 clues cahills vs vespers - Dec 06 2022

web aug 30 2011 the first chapter of book 1 of the new cahills vs vespers series attempts to bring new readers up to speed without boring die hard fans speaking of

the medusa plot the 39 clues cahills vs vespers book 1 - Oct 24 2021

web the medusa plot nicely presents new challenges that stretch the characters in new and interesting ways where the 39 clues series pitted the different family branches of the

the 39 clues cahills vs vespers 1 the medusa plot - May 31 2022

web cahills are being kidnapped by a shadowy group known only as the vespers now amy and dan have only days to fulfill a bizarre ransom request or their captured friends will

the medusa plot 39 clues cahills vs vespers 1 - May 11 2023

cahills vs vespers is the second series in the 39 clues franchise it revolves around the now united cahill family fighting the vespers the medusa plot is the first book in the series it was written by gordon korman and published on august 30 2011 two years after the clue hunt all who succeeded in finding gideon s serum recipe have united

the medusa plot the 39 clues wiki fandom - Aug 14 2023

the book begins when seven cahills are kidnapped by the vespers all around the globe soon after dan and amy cahill get picked up by the school bus which is attacked by three vesper agents who tried to kidnap one or both of them but failed due to the siblings counterattack right after the see more

the medusa plot the 39 clues cahills vs vespers book 1 - Sep 03 2022

web the medusa plot nicely presents new challenges that stretch the characters in new and interesting ways where the 39 clues series pitted the different family branches of the

the medusa plot 39 clues cahills vs vespers book 1 by - Aug 02 2022

web in vespers rising a brand new 39 clues novel bestselling authors rick riordan peter lerangis gordon korman and jude watson take on the hidden history of the cahills

the 39 clues cahills vs vespers book 1 the medusa plot - Mar 29 2022

web cahills are being kidnapped by a shadowy group known only as the vespers now amy and dan have only days to fulfill a bizarre ransom request or their captured friends will

39 clues cahills vs vespers hoopla - Dec 26 2021

web part 3 of the 39 clues cahills vs vespers series sign up amy and dan have managed to rescue one of the cahills kidnapped by the vespers but the remaining hostages are still

the medusa plot wikiwand - Apr 10 2023

web the medusa plot is the first book in the cahills vs vespers series the book was written by gordan korman and released on august 30 2011 the story picks up two years after

cahills vs vespers mission 1 the medusa plot - Apr 29 2022

web william mcintyre part of law firm mcintyre mcarthur mulligan and smood executed grace s will and help her plan the clue hunt former navy seal amy and dan s most

the 39 clues wikipedia - Jun 12 2023

greetings cahills feel like some breaking and entering because i have a teeny little errand for you in switzerland with my friend de virga you better head out quickly i still hold seven of your friends and my see more

39 clues cahills vs vespers 01 the medusa plot page 8 - Nov 24 2021

web the medusa we gave them was the one from the wall you think vesper one lied about it just to read from net search top

series menu no naked ads here 39 clues

the 39 clues cahills vs vespers book 1 the medusa plot - Jul 01 2022

web aug 30 2011 cahills are being kidnapped by a shadowy group known only as the vespers now amy and dan have only days to fulfill a bizarre ransom request or their

the 39 clues cahills vs vespers book 1 the medusa plot - Nov 05 2022

web they thought the hunt for 39 clues leading to the source of that power was over they even thought they d won but amy and dan were wrong one by one distress calls start

the medusa plot the 39 clues cahills vs vespers - Feb 08 2023

web aug 30 2011 where the 39 clues series pitted the different family branches of the cahills against one another the medusa plot pulls the cahills together to fend off a ruthless

[the medusa plot the 39 clues cahills vs vespers book 1](#) - Jan 27 2022

web listen to the medusa plot the 39 clues cahills vs vespers book 1 unabridged on spotify gordon korman audiobook 2011 89 songs

the 39 clues cahills vs vespers book one the medusa plot - Feb 25 2022

web book review for the 39 clues cahills vs vespers book one the medusa plot by gordon korman stop motion animation by hugh massey lori massey and richard

concept maps of the excretory sytems in humans - Jul 05 2023

web context 1 for this topic aimed at achieving basic competencies namely analyzing the excretory systems in humans and understanding the disruption in the excretory systems as well as

[excretory system the definitive guide biology dictionary](#) - Jun 04 2023

web jan 15 2021 the excretory system consists of organs which remove metabolic wastes and toxins from the body in humans this includes the removal of urea from the bloodstream and other wastes produced by the body the removal of urea happens in the kidneys while solid wastes are expelled from the large intestine

[concept map urinary pdf kidney urinary system scribd](#) - Jul 25 2022

web concept map urinary uploaded by sharan kaur the kidneys structural and functional units contains 1 million are filter blood excrete hydrophilic wastes maintain water balance and ph help produce rbcs vitamin d and control bp full description download now of 3 reward your curiosity everything you want to read anytime anywhere any device

concept mapping circulatory respiratory and excretory systems - May 23 2022

web mapping complete the cycle map about circulation in humans these terms may be used more than once aorta high oxygen low carbon dioxide left atrium left ventricle low oxygen high carbon dioxide lungs right atrium right ventricle veins

blood enters all parts of body 1 right atrium which carries blood to 9 aorta condition from of blood is

13 43 excretion biology libretexts - Oct 08 2023

web the amount of water lost in urine is controlled by the kidneys the main organs of the excretory system excretion is the process of removing wastes and excess water from the body it is one of the major ways the body maintains homeostasis

41 osmotic regulation and excretion biology libretexts - Jan 31 2023

web 41 3 excretion systems microorganisms and invertebrate animals use more primitive and simple mechanisms to get rid of their metabolic wastes than the mammalian system of kidney and urinary function three excretory systems evolved in organisms before complex kidneys vacuoles flame cells and malpighian tubules 41 4 nitrogenous wastes

using concept mapping as assessment tool in - Aug 26 2022

web school students misunderstandings about the human digestive and excretory system for assessment the topics of human digestive and excretory system construction of concept maps was used an analysis of the 29 concept maps created by the 9th

41 osmotic regulation and the excretory system - Jun 23 2022

web 41 7 excretion systems contractile vacuoles in microorganisms contractile vacuoles absorb excess water and wastes from a microorganism s cell and excrete them into the environment by contracting 41 8 excretion systems flame cells of planaria and nephridia of worms

excretory systems the evolution of organ systems oxford - Nov 28 2022

web cite permissions share abstract excretory systems remove excretions from the body and serve as organs of osmoregulation active transport and ultrafiltration are the two basic principles of excretion the structure of filtration organs corresponds with the type of body cavity being present

excretory system read biology ck 12 foundation - Dec 30 2022

web feb 24 2012 excretory system organ system that removes excess water and waste from the body includes the large intestine liver skin lungs and kidneys urine liquid waste product of the body that is formed by the kidneys and excreted by the other organs of the urinary system

41 10 human osmoregulatory and excretory systems kidney - Apr 02 2023

web oct 31 2023 adrenal glands also called suprarenal glands sit on top of each kidney kidneys regulate the osmotic pressure of a mammal s blood through extensive filtration and purification in a process known as osmoregulation all the blood in the human body is filtered many times a day by the kidneys

the excretory system creately - Feb 17 2022

web the excretory system by daniela chacon edit this template concept map templates network diagram templates use case templates mind mapping templates wireframe templates view more library management system activity diagram retention

planning and performance org chart attendance system

changing the way you learn mind map goconqr - Mar 21 2022

web excretory system what lungs co2 kidney urea skin urea liver bile salts why to expel wastes that have been made by cells as a by product of metabolism if waste accumulates then it becomes toxic how nitrogenous waste water and other substances combine to make urine

excretory system mind map goconqr - Apr 21 2022

web oct 20 2013 excretory system remove carbon dioxide water nitrogenous metabolic waste excess salts bile pigments excretory organs kidneys ureter urinary bladder urine yellow urochrome 1 to 1.5 lt ph 5.8 spgr 1.003 1.035 organic urea creatin uric acid others inorganic sod chloride pot chloride ammonia others abnormal blood cells

the excretory system concept map flashcards quizlet - Mar 01 2023

web the excretory system concept map part of the excretory system are the kidneys whose function is click the card to flip filtering blood and removing toxins click the card to flip 1 20 flashcards learn test match q chat created by chloe nardi terms in this set 20 part of the excretory system are the kidneys whose function is

19 excretory system biology libretxts - Aug 06 2023

web this chapter discusses the concept of excretion and explains the excretory functions of the skin liver large intestine lungs and kidneys it also describes the other organs of the urinary system and several urinary system disorders

map the excretory system welcome to biology - May 03 2023

web map the excretory system instructions you ll need a couple different colored markers or pencils red blue black at least copy down the picture of the excretory system to the best of your ability when labeling make sure to include veins and arteries kidneys ureter urinary bladder and the urethra

excretion mind map goconqr - Sep 07 2023

web a mind map explaining the process of excretion and the excretory system biology science transport systems biology junior certificate mind map by shane buckley updated more than 1 year ago 1038 4 0 resource summary excretion excretory organs lungs carbon dioxide water kidneys urine urea water and salts skin sweat water and salts

excretory system read biology ck 12 foundation - Sep 26 2022

web nov 30 2012 excretion is the process of removing wastes and excess water from the bodytagincontent recall that carbon dioxide travels through the blood and is transferred to the lungs where it is exhaled in the large intestine the remains of food are turned into solid waste for excretion how is waste other than carbon dioxide removed from the blood

pdf conceptual understanding of excretory system - Oct 28 2022

web jan 1 2021 conceptual understanding of excretory system implementing cooperative integrated reading and

composition based on scientific approach authors rizhal hendi ristante jakarta state university sri