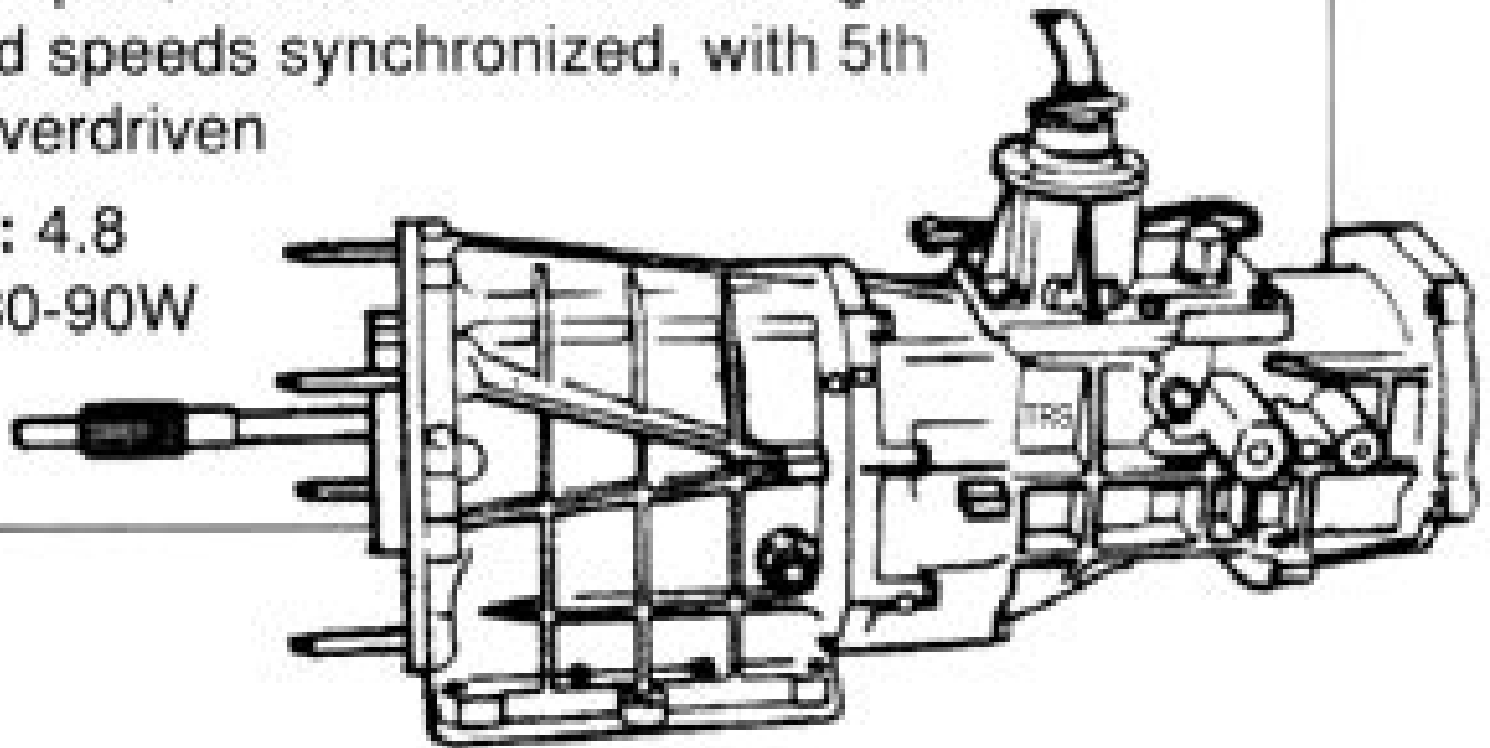


FM-146 five-speed manual overdrive transmission (Mitsubishi)

Application: Bronco II and Ranger 4x4 equipped with 2.9 liter engine 1988 on

Description: Top-shifted, aluminum case, square steel oil pan, detachable bellhousing, all forward speeds synchronized, with 5th gear overdriven

Lube Fill: 4.8
pints 80-90W
gear
lube.



Ford Ranger Manual Transmission Troubleshooting

M Planty



Ford Ranger Manual Transmission Troubleshooting:

93 - 97 Ford Ranger Repair Manual , This is the PDF service repair manual for the Ford Ranger 1993 1997 The same manual autoshops and dealers reference to This isnt your everyday off the shelf autostore manual This manual is guranteed to be better than any autostore manual Detailed drawings Detail diagrams Detail step by step instructions Covers more than standard manuals Available as PDF no more damage manuals Chapters include Body Frame and Mounting Engine Suspension Driveline Brakes Transmission Clutch Exhaust system Fuel system Steering Climate Control system Instrumentation and Warning systems Battery and charging system Audio system Lighting Electrical Power supply

1993-94-95-96-1997 Ford Ranger 5R55E Transmission Repair Manual , This is the PDF service repair manual for the Ford Ranger 1993 1997 Transmission Transference 4x4 system The same manual auto shops and dealers reference to This is not your everyday off the shelf auto store manual This manual is guaranteed to be better than any auto store manual Detailed drawings Detail diagrams Detail step by step instructions Covers more than standard manuals Available as PDF no more damage manuals Chapters include Diagrams Transmission Transference Electrical 4R44E 5R55E Transmissions Automatic Manual 4wd 4x4 Gem Generic Module [The Ultimate Troubleshooting Guide for Ford Rangers and Mazda B-Series Pick-Ups](#) Pasquale De Marco,2025-08-12 The Ultimate Troubleshooting Guide for Ford Rangers and Mazda B Series Pick Ups is the ultimate troubleshooting guide for Ford Ranger and Mazda B Series pickups This comprehensive resource covers everything from basic maintenance to advanced diagnostics with clear concise instructions and detailed illustrations Whether you re a novice mechanic or a seasoned pro you ll find valuable information in The Ultimate Troubleshooting Guide for Ford Rangers and Mazda B Series Pick Ups The book is divided into ten chapters each of which covers a specific system or component of the Ford Ranger and Mazda B Series pickups The first chapter provides an overview of the Ford Ranger and Mazda B Series pickups including their history design and features This chapter also includes a buyer s guide to help you choose the right truck for your needs The next eight chapters cover specific systems and components of the Ford Ranger and Mazda B Series pickups Each chapter is divided into several sections each of which focuses on a specific topic For example the chapter on the engine includes sections on engine basics fuel systems ignition systems emissions controls and cooling systems The final chapter of The Ultimate Troubleshooting Guide for Ford Rangers and Mazda B Series Pick Ups provides troubleshooting tips and advice for dealing with common problems that can occur with Ford Ranger and Mazda B Series pickups This chapter also includes a section on emergency repairs such as flat tire changes and jump starting With its clear concise instructions and detailed illustrations The Ultimate Troubleshooting Guide for Ford Rangers and Mazda B Series Pick Ups is the perfect resource for anyone who wants to keep their Ford Ranger or Mazda B Series pickup running in top condition Whether you re a do it yourselfer or a professional mechanic you ll find valuable information in this book If you like this book write a review **What's a Country Boy Like Me Doing in a Place Like This?** Eugene E. "Duke"

Ellington, 2009-02 Quotes from Country Boy Chapter 1 There are no insignificant events in our lives it's just that we can't often perceive the significance It's difficult to detect the pattern when you are just one thread in the tapestry Chapter 2 I think children today have too much social pressure on them and too many organized activities If every kid could occasionally lie on pine needles and watch the clouds go by there might be less need for psychiatrists and drugs Chapter 3 I will never forget the first time I entered a GI mess hall It was breakfast time and the cooks were preparing scrambled eggs from powdered eggs or something of that nature The griddle was about a half acre in area in plain view and was covered with large green bubbles I have often wondered if Dr Seuss book Green Eggs and Ham was inspired by a GI mess hall Chapter 4 One of my roommates gave me a ride as far as Stephenville I spent the night with him and his family which was something of a revelation His mother actually believed that the world was flat and that the sun revolved around the Earth Chapter 5 A few minutes earlier John F Kennedy had been a liberal tax and spend Democrat but we were Americans and he was our president and we were mad as hell and I think a little bit scared about what had happened Chapter 6 In Families Anonymous we learned about tough love and letting go We learned that we were not in control of our children's lives shouldn't try to be and shouldn't feel bad because we weren't It would be interesting to observe the results of a president who had Carter's moral values and Nixon's political acumen but perhaps the two attributes are mutually exclusive In the midst of all this madness one day I remembered something I had heard years earlier while watching Saturday morning cartoons with my son Yogi Bear said Boo Boo as you grow older you will learn that the deeper in the woods you get the more nuts you will find In the 70's the energy industry was pretty deep in the woods Chapter 7 Everything considered I believe that I am in the top 1 percent of all the people who have ever lived I state this not as a matter of pride but as a matter of gratitude My meager contribution is described in this book It is obvious that most of my good fortune is the result of something greater than me Eugene E Duke Ellington is a 75 year old retired natural gas engineer who resides in Kerrville Texas Duke was born in Iowa in 1933 and raised in Moultrie Georgia where he graduated high school in 1950 He spent almost four years in the Air Force during the Korean War and was honorably discharged in 1954 He attended Texas College of Arts and Industries in Kingsville Texas where he graduated with a Bachelor of Science Degree in Petroleum and Natural Gas Engineering in 1958 After graduation he worked as an engineer for Conoco for 15 years then as a consultant at Purvin Gertz Inc in Dallas for almost 24 years In this book the author describes the incredible changes that have taken place during his life The book is a rich fabric of the interwoven threads of his personal life social and economic changes race relations political events and technological advances Young people will be amazed older people will reminisce and all will laugh and cry and think Field & Stream, 1987-05 FIELD STREAM America's largest outdoor sports magazine celebrates the outdoor experience with great stories compelling photography and sound advice while honoring the traditions hunters and fishermen have passed down for generations **Field & Stream**, 1987-02 FIELD STREAM America's largest outdoor sports magazine celebrates the outdoor

experience with great stories compelling photography and sound advice while honoring the traditions hunters and fishermen have passed down for generations

Lemon-Aid Used Cars and Trucks 2011-2012 Phil Edmonston, 2011-04-25 As Toyota skids into an ocean of problems and uncertainty continues in the U S automotive industry Lemon Aid Used Cars and Trucks 20112012 shows buyers how to pick the cheapest and most reliable vehicles from the past 30 years Lemon Aid guides are unlike any other car and truck books on the market Phil Edmonston Canada s automotive Dr Phil for 40 years pulls no punches Like five books in one Lemon Aid Used Cars and Trucks is an expos of car scams and gas consumption lies a do it yourself service manual an independent guide that covers beaters lemons and collectibles an archive of secret service bulletins granting free repairs and a legal primer that even lawyers cant beat Phil delivers the goods on free fixes for Chrysler Ford and GM engine transmission brake and paint defects lets you know about Corvette and Mustang tops that fly off gives the lowdown on Honda Hyundai and Toyota engines and transmissions and provides the latest information on computer module glitches

U.S. Auto Trade Problems United States. Congress. House. Committee on Energy and Commerce. Subcommittee on Commerce, Transportation, and Tourism, 1983

Popular Mechanics , 1985-09 Popular Mechanics inspires instructs and influences readers to help them master the modern world Whether it s practical DIY home improvement tips gadgets and digital technology information on the newest cars or the latest breakthroughs in science PM is the ultimate guide to our high tech lifestyle

Popular Mechanics , 1987-05 Popular Mechanics inspires instructs and influences readers to help them master the modern world Whether it s practical DIY home improvement tips gadgets and digital technology information on the newest cars or the latest breakthroughs in science PM is the ultimate guide to our high tech lifestyle

Eventually, you will totally discover a further experience and completion by spending more cash. yet when? attain you recognize that you require to acquire those every needs later than having significantly cash? Why dont you try to get something basic in the beginning? Thats something that will lead you to understand even more something like the globe, experience, some places, in the manner of history, amusement, and a lot more?

It is your no question own era to con reviewing habit. among guides you could enjoy now is **Ford Ranger Manual Transmission Troubleshooting** below.

<https://staging.conocer.cide.edu/book/publication/index.jsp/Kyrik%20And%20The%20Lost%20Queen.pdf>

Table of Contents Ford Ranger Manual Transmission Troubleshooting

1. Understanding the eBook Ford Ranger Manual Transmission Troubleshooting
 - The Rise of Digital Reading Ford Ranger Manual Transmission Troubleshooting
 - Advantages of eBooks Over Traditional Books
2. Identifying Ford Ranger Manual Transmission Troubleshooting
 - Exploring Different Genres
 - Considering Fiction vs. Non-Fiction
 - Determining Your Reading Goals
3. Choosing the Right eBook Platform
 - Popular eBook Platforms
 - Features to Look for in an Ford Ranger Manual Transmission Troubleshooting
 - User-Friendly Interface
4. Exploring eBook Recommendations from Ford Ranger Manual Transmission Troubleshooting
 - Personalized Recommendations
 - Ford Ranger Manual Transmission Troubleshooting User Reviews and Ratings
 - Ford Ranger Manual Transmission Troubleshooting and Bestseller Lists
5. Accessing Ford Ranger Manual Transmission Troubleshooting Free and Paid eBooks

- Ford Ranger Manual Transmission Troubleshooting Public Domain eBooks
 - Ford Ranger Manual Transmission Troubleshooting eBook Subscription Services
 - Ford Ranger Manual Transmission Troubleshooting Budget-Friendly Options
6. Navigating Ford Ranger Manual Transmission Troubleshooting eBook Formats
 - ePub, PDF, MOBI, and More
 - Ford Ranger Manual Transmission Troubleshooting Compatibility with Devices
 - Ford Ranger Manual Transmission Troubleshooting Enhanced eBook Features
 7. Enhancing Your Reading Experience
 - Adjustable Fonts and Text Sizes of Ford Ranger Manual Transmission Troubleshooting
 - Highlighting and Note-Taking Ford Ranger Manual Transmission Troubleshooting
 - Interactive Elements Ford Ranger Manual Transmission Troubleshooting
 8. Staying Engaged with Ford Ranger Manual Transmission Troubleshooting
 - Joining Online Reading Communities
 - Participating in Virtual Book Clubs
 - Following Authors and Publishers Ford Ranger Manual Transmission Troubleshooting
 9. Balancing eBooks and Physical Books Ford Ranger Manual Transmission Troubleshooting
 - Benefits of a Digital Library
 - Creating a Diverse Reading Collection Ford Ranger Manual Transmission Troubleshooting
 10. Overcoming Reading Challenges
 - Dealing with Digital Eye Strain
 - Minimizing Distractions
 - Managing Screen Time
 11. Cultivating a Reading Routine Ford Ranger Manual Transmission Troubleshooting
 - Setting Reading Goals Ford Ranger Manual Transmission Troubleshooting
 - Carving Out Dedicated Reading Time
 12. Sourcing Reliable Information of Ford Ranger Manual Transmission Troubleshooting
 - Fact-Checking eBook Content of Ford Ranger Manual Transmission Troubleshooting
 - Distinguishing Credible Sources
 13. Promoting Lifelong Learning
 - Utilizing eBooks for Skill Development

- Exploring Educational eBooks
- 14. Embracing eBook Trends
 - Integration of Multimedia Elements
 - Interactive and Gamified eBooks

Ford Ranger Manual Transmission Troubleshooting Introduction

Free PDF Books and Manuals for Download: Unlocking Knowledge at Your Fingertips In today's fast-paced digital age, obtaining valuable knowledge has become easier than ever. Thanks to the internet, a vast array of books and manuals are now available for free download in PDF format. Whether you are a student, professional, or simply an avid reader, this treasure trove of downloadable resources offers a wealth of information, conveniently accessible anytime, anywhere. The advent of online libraries and platforms dedicated to sharing knowledge has revolutionized the way we consume information. No longer confined to physical libraries or bookstores, readers can now access an extensive collection of digital books and manuals with just a few clicks. These resources, available in PDF, Microsoft Word, and PowerPoint formats, cater to a wide range of interests, including literature, technology, science, history, and much more. One notable platform where you can explore and download free Ford Ranger Manual Transmission Troubleshooting PDF books and manuals is the internet's largest free library. Hosted online, this catalog compiles a vast assortment of documents, making it a veritable goldmine of knowledge. With its easy-to-use website interface and customizable PDF generator, this platform offers a user-friendly experience, allowing individuals to effortlessly navigate and access the information they seek. The availability of free PDF books and manuals on this platform demonstrates its commitment to democratizing education and empowering individuals with the tools needed to succeed in their chosen fields. It allows anyone, regardless of their background or financial limitations, to expand their horizons and gain insights from experts in various disciplines. One of the most significant advantages of downloading PDF books and manuals lies in their portability. Unlike physical copies, digital books can be stored and carried on a single device, such as a tablet or smartphone, saving valuable space and weight. This convenience makes it possible for readers to have their entire library at their fingertips, whether they are commuting, traveling, or simply enjoying a lazy afternoon at home. Additionally, digital files are easily searchable, enabling readers to locate specific information within seconds. With a few keystrokes, users can search for keywords, topics, or phrases, making research and finding relevant information a breeze. This efficiency saves time and effort, streamlining the learning process and allowing individuals to focus on extracting the information they need. Furthermore, the availability of free PDF books and manuals fosters a culture of continuous learning. By removing financial barriers, more people can access educational resources and pursue lifelong learning, contributing to personal growth and professional development. This democratization of knowledge

promotes intellectual curiosity and empowers individuals to become lifelong learners, promoting progress and innovation in various fields. It is worth noting that while accessing free Ford Ranger Manual Transmission Troubleshooting PDF books and manuals is convenient and cost-effective, it is vital to respect copyright laws and intellectual property rights. Platforms offering free downloads often operate within legal boundaries, ensuring that the materials they provide are either in the public domain or authorized for distribution. By adhering to copyright laws, users can enjoy the benefits of free access to knowledge while supporting the authors and publishers who make these resources available. In conclusion, the availability of Ford Ranger Manual Transmission Troubleshooting free PDF books and manuals for download has revolutionized the way we access and consume knowledge. With just a few clicks, individuals can explore a vast collection of resources across different disciplines, all free of charge. This accessibility empowers individuals to become lifelong learners, contributing to personal growth, professional development, and the advancement of society as a whole. So why not unlock a world of knowledge today? Start exploring the vast sea of free PDF books and manuals waiting to be discovered right at your fingertips.

FAQs About Ford Ranger Manual Transmission Troubleshooting Books

1. Where can I buy Ford Ranger Manual Transmission Troubleshooting books? Bookstores: Physical bookstores like Barnes & Noble, Waterstones, and independent local stores. Online Retailers: Amazon, Book Depository, and various online bookstores offer a wide range of books in physical and digital formats.
2. What are the different book formats available? Hardcover: Sturdy and durable, usually more expensive. Paperback: Cheaper, lighter, and more portable than hardcovers. E-books: Digital books available for e-readers like Kindle or software like Apple Books, Kindle, and Google Play Books.
3. How do I choose a Ford Ranger Manual Transmission Troubleshooting book to read? Genres: Consider the genre you enjoy (fiction, non-fiction, mystery, sci-fi, etc.). Recommendations: Ask friends, join book clubs, or explore online reviews and recommendations. Author: If you like a particular author, you might enjoy more of their work.
4. How do I take care of Ford Ranger Manual Transmission Troubleshooting books? Storage: Keep them away from direct sunlight and in a dry environment. Handling: Avoid folding pages, use bookmarks, and handle them with clean hands. Cleaning: Gently dust the covers and pages occasionally.
5. Can I borrow books without buying them? Public Libraries: Local libraries offer a wide range of books for borrowing. Book Swaps: Community book exchanges or online platforms where people exchange books.
6. How can I track my reading progress or manage my book collection? Book Tracking Apps: Goodreads, LibraryThing,

and Book Catalogue are popular apps for tracking your reading progress and managing book collections. Spreadsheets: You can create your own spreadsheet to track books read, ratings, and other details.

7. What are Ford Ranger Manual Transmission Troubleshooting audiobooks, and where can I find them? Audiobooks: Audio recordings of books, perfect for listening while commuting or multitasking. Platforms: Audible, LibriVox, and Google Play Books offer a wide selection of audiobooks.
8. How do I support authors or the book industry? Buy Books: Purchase books from authors or independent bookstores. Reviews: Leave reviews on platforms like Goodreads or Amazon. Promotion: Share your favorite books on social media or recommend them to friends.
9. Are there book clubs or reading communities I can join? Local Clubs: Check for local book clubs in libraries or community centers. Online Communities: Platforms like Goodreads have virtual book clubs and discussion groups.
10. Can I read Ford Ranger Manual Transmission Troubleshooting books for free? Public Domain Books: Many classic books are available for free as they're in the public domain. Free E-books: Some websites offer free e-books legally, like Project Gutenberg or Open Library.

Find Ford Ranger Manual Transmission Troubleshooting :

[kyrik and the lost queen.](#)

[korean short stories a collection from north kore](#)

[l astronautique 1st edition](#)

[kurdish nationalist movement and its impact on turkey in the 1990s](#)

kristofer janson in america

[kto est kto v kulture estonii](#)

[la battaglia di legnano vocal score paper italian](#)

kupenda love poems

[la america the sephardic experience in the united states](#)

[kulinarsche geheimnibe 55 rezepte naturwibenschaftlich erklart](#)

[kto est kto v mire](#)

[la casa verde libros db](#)

[kreditnaia politika belarusi problemy i rekomendatsii](#)

[kreskins fun way to mind expansion mental techniques you can master](#)

kundalini for the new age

Ford Ranger Manual Transmission Troubleshooting :

all about sam by lois lowry open library - Apr 29 2023

web mar 8 2023 created by an anonymous user imported from scriblio marc record all about sam by lois lowry diane degroat 1988 houghton mifflin edition in english

all about sam facts for kids kids encyclopedia - Sep 22 2022

web all about sam 1988 is a children s novel by lois lowry it is part of a series of books that lowry wrote about anastasia krupnik and her younger brother sam plot summary sam krupnik is a mischievous little boy but mostly curious he is very smart and from the day he was born anastasia was jealous

all about sam english edition eagldemo2 eagltechnology - May 19 2022

web all about sam english edition 101 amazing facts about sam smith the adventures of sam on the brinks you ve reached sam the complete works of g a henty the young buglers sam who never forgets something about sam the book a cover to cover exploration of the most powerful object of our time see you around sam lord of the

all about sam english edition sgsbenelux internalpublications - Oct 04 2023

web enter the realm of all about sam english edition a mesmerizing literary masterpiece penned by a distinguished author guiding readers on a profound journey to unravel the secrets and potential hidden within every word

onetime crypto king sam bankman fried is convinced of fraud - Nov 24 2022

web 1 day ago ftx founder sam bankman fried was convicted thursday of stealing billions of dollars from customers of the doomed crypto exchange in what prosecutors called one of the biggest financial frauds in

all about sam english edition by lois lowry orientation sutd edu - Jul 21 2022

web fireman sam heroes in the storm english uk hd serious sam hd gold edition on steam sam smith cds target sambad epaper no 1 newspaper of odisha odisha epaper sam learning cheats google sites windows registry information for advanced users breaking news stories from us and around the world msn news samsung global newsroom all the

all about sam lowry lois free download borrow and - Aug 02 2023

web contributor internet archive language english a yearling book november 1992 t p verso the adventures of sam anastasia krupnik s younger brother from his first day as a newborn through his mischievous times as a toddler access restricted item true

editions of all about sam by lois lowry goodreads - Sep 03 2023

web editions for all about sam 0440402212 paperback published in 1989 kindle edition published in 1988 english average

rating 3 86 1 415 all about sam kindle edition published october 24th 1988 by clarion books

[all about sam by lois lowry 9780440402213 penguin random](#) - Mar 29 2023

web all about sam buy now paperback sep 01 1989 isbn 9780440402213 buy close get the latest updates about lois lowry and go from well read to best read with book recs deals and more in your inbox every week and go from well read to best read with book recs deals and more in your inbox every week

sam bankman fried found guilty of defrauding ftx customers - Jan 27 2023

web 2 days ago sam bankman fried the founder of now bankrupt crypto exchange ftx was found guilty on all counts of defrauding his customers on thursday in manhattan federal court

all about sam by lois lowry paperback barnes noble - May 31 2023

web jan 5 2016 3 ratings only reviews at last sam anastasia krupnik s irrepressible little brother gets a chance to tell his own story from his first days at the hospital through his terrible twos to his first days at nursery school we see what sam is really like but things are never quite like they seem

[here s what happened today in sam bankman fried s trial cnn](#) - Aug 22 2022

web oct 30 2023 former crypto billionaire sam bankman fried 31 took the witness stand again monday as his criminal fraud trial continues in manhattan he faces life in prison if found guilty of all seven counts

sam bankman fried verdict reflects crypto s broken dreams - Dec 26 2022

web nov 4 2023 5 30 am et listen 2 min sam bankman fried is gone and crypto is back to its favorite activity a wild speculative rally the ftx founder s trial featured a parade of witnesses

reading comprehension all about sam isl collective - Mar 17 2022

web reading comprehension all about sam samsom 1401 6 30 0 1 2 i created this reading comprehension for my esol learners who are working on the theme going to hospital

[guilty verdict for sam bankman fried in ftx s fraud trial npr](#) - Feb 13 2022

web 2 days ago sam bankman fried is found guilty of all charges in ftx s spectacular collapse sam bankman fried leaves a manhattan federal court in new york city on jan 3 2023 sam bankman fried the former

all about sam english edition kindle edition amazon de - Oct 24 2022

web all about sam english edition ebook lowry lois amazon de kindle store skip to main content de hello select your address kindle store select the department you want to search in search amazon de en hello sign in account lists

all about sam wikipedia - Jul 01 2023

web all about sam 1988 is a children s novel by lois lowry it is the first in a series of four novels about the character sam krupnik a character lowry had developed earlier in her books on sam s older sister anastasia krupnik 1 the novel is known for

its humor and was included in the 2003 reference publication something funny happened at

all about sam by lois lowry open library - Apr 17 2022

web all about sam by lois lowry diane degroat 1990 young lions edition in english

sam bankman fried in el país english pág 2 - Jun 19 2022

web nov 12 2022 sam bankman fried the rise and fall of a cryptocurrency prodigy Álvaro sánchez boston nov 12 2022 18 49 est

all about sam by lois lowry open library - Feb 25 2023

web all about sam by lois lowry diane degroat october 1999 tandem library edition school library binding in english

solved anyconnect sccm deployment cisco community - Jan 09 2023

web feb 9 2017 go to solution djibril diop beginner options 02 09 2017 02 43 am hello community i need to deploy two packages with sccm one with vpn module and web security and one without vpn module and web security do anyone know a detection method via wmi registry key or filesystem to differentiate both packages

anyconnect secure mobility client features licenses and oss cisco - Jul 03 2022

web updated june 28 2021 bias free language table of contents anyconnect secure mobility client features licenses and oss release 4 10 supported operating systems supported cryptographic algorithms tls 1 2 and dtls 1 2 cipher suites vpn tls 1 2 cipher suites network access manager dtls 1 0 cipher suites vpn ikev2 ipsec

anyconnect software distribution through sccm for cisco - Nov 07 2022

web jul 8 2022 go to solution rsa ire nac beginner options 07 08 2022 10 32 am edited 07 08 2022 10 49 am hi team we are currently in going to deploy anyconnect posture agent in customer domain joined windows machines we will be installing modules core vpn ise posture dart module

cisco anyconnect deployment guide sccm pdf - Mar 31 2022

web cisco anyconnect deployment guide sccm cisco next generation security solutions apr 14 2021 network threats are emerging and changing faster than ever before cisco next generation network security technologies give you all the visibility and control you need to anticipate and meet tomorrow s threats wherever they appear

cisco anyconnect deployment guide sccm book - May 01 2022

web cisco anyconnect deployment guide sccm cisco firepower threat defense ftd aug 12 2020 the authoritative visual guide to cisco firepower threat defense ftd this is the definitive guide to best practices and advanced troubleshooting techniques for the cisco flagship firepower threat defense

cisco secure client including anyconnect administrator guide - Feb 10 2023

web oct 27 2023 enable fips in the local policy cisco secure client on mobile devices cisco secure client customer experience

feedback module troubleshoot cisco secure client appendix cisco secure client changes related to macos 11 and later cisco secure client including anyconnect administrator guide release 5 1

anyconnect installation guide cisco - Oct 06 2022

web anyconnect installation guide the cisco anyconnect vpn client provides a method for sandbox users to create a secure vpn connection to a sandbox lab this document will guide users through the installation process for the anyconnect client software on windows mac os and linux contents

cisco secure client including anyconnect administrator guide - Jul 15 2023

web jul 31 2023 the cisco secure client can be deployed to remote users by the following methods predeploy new installations and upgrades are done either by the end user or by using an enterprise software management system sms this deployment option offers no cloud management

anyconnection deployment via sccm cisco community - Aug 04 2022

web mar 12 2019 beginner 02 14 2018 05 25 pm edited 03 12 2019 05 01 am hi we have sccm and we use it to deploy the software to our users machines we are upgrading our anyconnect vpn client from version 3 5 to 4 5 does the user need to connect to the office network to get the ac upgraded

cisco secure client aka anyconnect group policy based deployment - Apr 12 2023

web oct 23 2023 deploying cisco secure client formerly known as cisco anyconnect using group policy can be challenging as there are so many limited documents related to this method all the provided methods are based on microsoft sccm that follow different

cisco anyconnect secure mobility client administrator guide - Sep 05 2022

web jun 30 2015 the cisco anyconnect secure mobility client can be deployed to remote users by the following methods predeploy new installations and upgrades are done either by the end user or by using an enterprise software management system sms

cisco anyconnect secure mobility client administrator guide - May 13 2023

web jun 29 2015 web deployment uses anyconnect web launch which is part of the clientless ssl portal the clientless ssl portal can be customized but the anyconnect parts of the portal cannot for example the start anyconnect button cannot be customized disable customer experience feedback modify installation behavior windows

solved anyconnect deploy with sccm help cisco community - Oct 18 2023

web oct 28 2016 here s a general guide on how to do it download anyconnect package obtain the cisco anyconnect installation package from the cisco website or your obtain the cisco anyconnect installation package from the cisco website or your organization s software repository prepare the sccm

cisco anyconnect secure mobility client administrator guide - Mar 11 2023

web jun 30 2015 deploy anyconnect customize and localize the anyconnect client and installer the anyconnect profile editor
configure vpn access configure network access manager configure posture configure web security configure amp enabler
enable fips in the local policy cisco anyconnect customer experience feedback module

cisco anyconnect secure mobility client administrator guide - Jun 14 2023

web mar 29 2018 cisco secure client configuration guides cisco anyconnect secure mobility client administrator guide
release 4.6 book contents updated march 29 2018 chapter configure posture chapter contents the anyconnect secure
mobility client offers an vpn posture hostscan module and an ise posture module

cisco anyconnect secure mobility client administrator guide - Sep 17 2023

web sep 5 2023 to upgrade anyconnect or install additional modules using predeploy out of band deployment either
manually or using sccm and so on you need administrative privileges using an enterprise software management system sms

cisco anyconnect deployment guide sccm book - Feb 27 2022

web cisco anyconnect deployment guide sccm ccna wireless 640 722 official cert guide apr 25 2022 trust the best selling
official cert guide series from cisco press to help you learn prepare and practice for exam success they are built with the
objective of providing assessment review and

how to deployed anyconnect client with sccm - Aug 16 2023

web nov 21st 2018 at 5:42 am i know how to deployed from sccm i just need to deployed the anyconnect msi i was told to
create a batch file as a script in sccm then deployed it but how do i add the profile to it our vpn profile is has

install cisco any connect use agent through sccm r sccm reddit - Jun 02 2022

web feb 7 2021 anyconnect can be used for vpn and network access so it will depend on how you are using it how it needs
to be installed also you might need to apply a specific profile not a great app for your first attempt

solved anyconnect deployment via sccm cisco community - Dec 08 2022

web sep 19 2019 i got these commands from cisco documents to deploy anyconnect silently to a bunch of pc as part of
migration project this is make sure that there is really no user interaction when this anyconnect push is happening
commands msiexec package anyconnect win 4.7.04056 core vpn predeploy k9 msi norestart passive lvx log24 log

matching supply with demand 3rd edition solutions and answers quizlet - Aug 15 2023

web at quizlet we re giving you the tools you need to take on any subject without having to carry around solutions manuals or
printing out pdfs now with expert verified solutions from matching supply with demand 3rd edition you ll learn how to solve
your toughest homework problems

pdf matching supply with demand solution manual to end of - Aug 03 2022

web matching supply with demand solution manual to end of chapter problems 3 matching supply with demand solutions chapter 10 file type pdf projected supply demand and

textbook chapter 12 practice questions answers matching supply - Apr 11 2023

web matching supply with demand an introduction to operations management 3 rd edition solutions to chapter problems chapter 12 betting on uncertain demand the newsvendor model last revised december 2011 q12 a first find the z statistic for 400 dan s blockbuster threshold z 400 200 80 50

chapter 2 solutions matching supply with demand scribd - Mar 10 2023

web chapter 2 solutions matching supply with demand free download as excel spreadsheet xls pdf file pdf text file txt or read online for free solutions to the 2nd chapter of matching supply with demand an introduction to operations management by tmh cachon terwiech

a matching supply with demand third edition pdfdrive - Jun 13 2023

web this book is about how firms can design their operations to better match supply with demand our motivation is simply stated by better matching supply with demand a firm gains a significant competitive advantage over its

free manual solution for matching supply with demand course - Jan 28 2022

web chegg s matching supply with demand an introduction to operations management solutions manual is one of hundreds of solution domain file homework help matching supply with demand an introduction to operations management solutions manual sm3 7507 solutions manual for matching supply with demand this is a digital format

matching supply with demand an introduction to operations - Jan 08 2023

web this is the official website for the third edition of matching supply with demand an introduction to operations management mcgraw hill 2011 by gérard cachon and christian terwiesch the wharton school university of pennsylvania

matching supply with demand solutions to end of chapter - Dec 07 2022

web matching supply with demand an introduction to operations management solutions to end of chapter problems last revised february 25 2008 make sure to visit cachon terwiesch net for the latest updates excel files ppt files and other information chapter 4 q4 1 empty system labor utilization a time to complete 100 units 1 the process will

matching supply with demand an introduction to operations - Sep 04 2022

web matching supply with demand an introduction to operations management solutions to end of chapter problems last revised march 1 2009 make sure to visit cachon terwiesch net for the latest updates excel files ppt files

matching supply with demand an introduction to operations chegg - May 12 2023

web it s easier to figure out tough problems faster using chegg study unlike static pdf matching supply with demand an introduction to operations management 4th edition solution manuals or printed answer keys our experts

chapter 5 solutions matching supply with demand an chegg - Feb 09 2023

web access matching supply with demand an introduction to operations management 4th edition chapter 5 solutions now our solutions are written by chegg experts so you can be assured of the highest quality

instructor manual for matching supply with demand 2e - Nov 06 2022

web matching supply with demand an introduction to operations management 2nd edition by gerard cachon and christian terwiesch instructor manual march 2008 this document describes our pedagogical strategy summarizes the materials provided along with the text to aid instructors i e instructor materials details our copyright policy regarding the

solution manual for matching supply with demand an - Mar 30 2022

web solution manual for matching supply with demand an introduction to operations management 3 e gerard cachon christian terwiesch isbn 10 0073525200 isbn 13 9780073525204 table of contents chapter 1 introduction chapter 2 the process view of the organization chapter 3 understanding the supply process evaluating process

chapter 7 solutions matching supply with demand an chegg - Oct 05 2022

web matching supply with demand an introduction to operations management 4th edition chapter 7 we have solutions for your book this problem has been solved problem 1pp chapter ch7 problem 1pp step by step solution step 1 of 5 input variables all the factors and inputs which contribute to the production of goods are called as input variables

solution manual for matching supply with demand an - Jul 02 2022

web name solution manual for matching supply with demand an introduction to operations management 4th edition by gerard cachon edition 4th edition author by gerard cachon christian terwiesch isbn isbn 13 9780078096655 isbn 10 0078096650 type solution manual format word zip all chapter include

[matching supply with demand an introduction to operations](#) - Feb 26 2022

web feb 24 2012 matching supply with demand an introduction to operations management cachon gerard terwiesch christian 9780073525204 amazon com books books

matching supply with demand an introduction to operations - Jun 01 2022

web matching supply with demand an introduction to operations management 3rd edition cachon solutions manual full download alibabadownload com product matching supply with demand an introduction to operations management 3rd edition cachon solutions manual this sample only download all chapters at alibabadownload com

solutions manual for matching supply with demand course hero - Apr 30 2022

web view full document solutions manual for matching supply with demand domain lux roc com hash

ab36872ec15ee025728c3b6c5a37667e download full version here if searching for a book solutions manual for matching supply with demand in pdf format then you ve come to faithful site

matching supply with demand solution manual chegg com - Jul 14 2023

web get instant access to our step by step matching supply with demand solutions manual our solution manuals are written by chegg experts so you can be assured of the highest quality

matching supply with demand an introduction to solutions manual - Dec 27 2021

web you are buying solutions manual for matching supply with demand an introduction to operations management 3rd edition by cachon solutions manual comes in a pdf or word format and available for download only