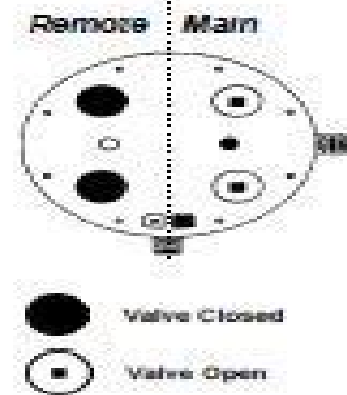
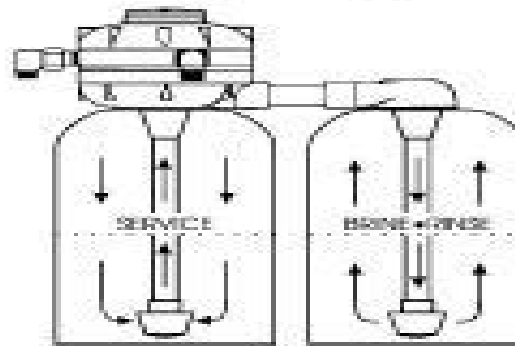
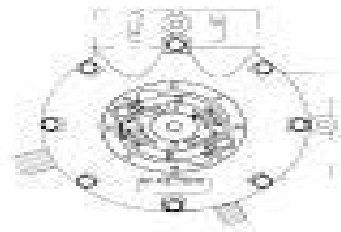


5. Main Tank in Service - Remote Tank Regenerating (Brine-Rinse)

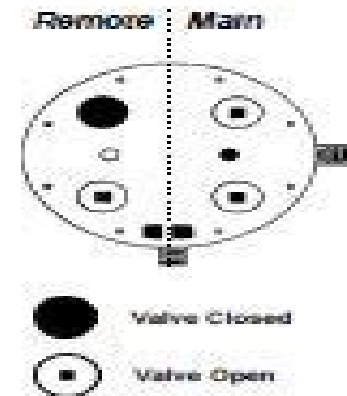
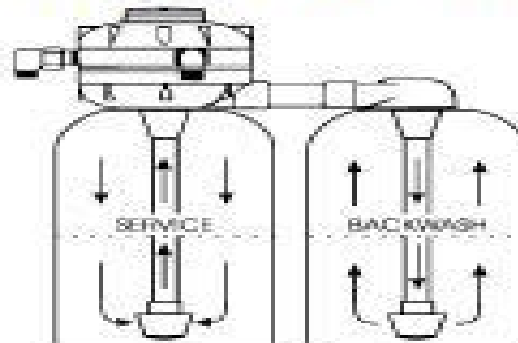


Main Tank is in Service and Remote Tank is in Brine-Rinse.

Both the Remote Tank Inlet and Outlet valves are closed. The Remote Tank Drain valve is open. Soft water from the Main Tank passes through the venturi, which causes brine to be drawn in past the Check Stem, down the distributor tube, up through the resin and out through the Drain valve.

The unit will continue to draw until the brine valve closes and prevents brine from entering the Remote Tank, thus starting the rinse cycle. The system will continue to slow rinse until the Backwash cycle starts.

6. Main Tank in Service - Remote Tank Regenerating (Backwash)



Main Tank is in Service and Remote Tank is in Backwash.

The Remote Tank Inlet valve is closed. Both the Remote Tank Outlet valve and Remote Tank Drain valve are open. Both Check Stems are closed. Soft water from the Main Tank passes through the Main Tank Outlet valve over and through the Remote Tank Outlet valve and down through the distributor tube. This high flow of water provides thorough cleaning of the hardness ions, iron and excess brine not rinsed during the Rinse cycle.

Kinetico 206 Manual

Emilie Sanchez



Kinetico 206 Manual:

Yeah, reviewing a book **Kinetico 206 Manual** could mount up your close friends listings. This is just one of the solutions for you to be successful. As understood, finishing does not recommend that you have astounding points.

Comprehending as without difficulty as covenant even more than extra will meet the expense of each success. next-door to, the revelation as capably as perspicacity of this Kinetico 206 Manual can be taken as without difficulty as picked to act.

https://staging.conocer.cide.edu/files/Resources/default.aspx/meditech_training_manual_pathology.pdf

Table of Contents Kinetico 206 Manual

1. Understanding the eBook Kinetico 206 Manual
 - The Rise of Digital Reading Kinetico 206 Manual
 - Advantages of eBooks Over Traditional Books
2. Identifying Kinetico 206 Manual
 - Exploring Different Genres
 - Considering Fiction vs. Non-Fiction
 - Determining Your Reading Goals
3. Choosing the Right eBook Platform
 - Popular eBook Platforms
 - Features to Look for in an Kinetico 206 Manual
 - User-Friendly Interface
4. Exploring eBook Recommendations from Kinetico 206 Manual
 - Personalized Recommendations
 - Kinetico 206 Manual User Reviews and Ratings
 - Kinetico 206 Manual and Bestseller Lists
5. Accessing Kinetico 206 Manual Free and Paid eBooks
 - Kinetico 206 Manual Public Domain eBooks
 - Kinetico 206 Manual eBook Subscription Services

- Kinetico 206 Manual Budget-Friendly Options
- 6. Navigating Kinetico 206 Manual eBook Formats
 - ePub, PDF, MOBI, and More
 - Kinetico 206 Manual Compatibility with Devices
 - Kinetico 206 Manual Enhanced eBook Features
- 7. Enhancing Your Reading Experience
 - Adjustable Fonts and Text Sizes of Kinetico 206 Manual
 - Highlighting and Note-Taking Kinetico 206 Manual
 - Interactive Elements Kinetico 206 Manual
- 8. Staying Engaged with Kinetico 206 Manual
 - Joining Online Reading Communities
 - Participating in Virtual Book Clubs
 - Following Authors and Publishers Kinetico 206 Manual
- 9. Balancing eBooks and Physical Books Kinetico 206 Manual
 - Benefits of a Digital Library
 - Creating a Diverse Reading Collection Kinetico 206 Manual
- 10. Overcoming Reading Challenges
 - Dealing with Digital Eye Strain
 - Minimizing Distractions
 - Managing Screen Time
- 11. Cultivating a Reading Routine Kinetico 206 Manual
 - Setting Reading Goals Kinetico 206 Manual
 - Carving Out Dedicated Reading Time
- 12. Sourcing Reliable Information of Kinetico 206 Manual
 - Fact-Checking eBook Content of Kinetico 206 Manual
 - Distinguishing Credible Sources
- 13. Promoting Lifelong Learning
 - Utilizing eBooks for Skill Development
 - Exploring Educational eBooks
- 14. Embracing eBook Trends

- Integration of Multimedia Elements
- Interactive and Gamified eBooks

Kinetico 206 Manual Introduction

Free PDF Books and Manuals for Download: Unlocking Knowledge at Your Fingertips In today's fast-paced digital age, obtaining valuable knowledge has become easier than ever. Thanks to the internet, a vast array of books and manuals are now available for free download in PDF format. Whether you are a student, professional, or simply an avid reader, this treasure trove of downloadable resources offers a wealth of information, conveniently accessible anytime, anywhere. The advent of online libraries and platforms dedicated to sharing knowledge has revolutionized the way we consume information. No longer confined to physical libraries or bookstores, readers can now access an extensive collection of digital books and manuals with just a few clicks. These resources, available in PDF, Microsoft Word, and PowerPoint formats, cater to a wide range of interests, including literature, technology, science, history, and much more. One notable platform where you can explore and download free Kinetico 206 Manual PDF books and manuals is the internet's largest free library. Hosted online, this catalog compiles a vast assortment of documents, making it a veritable goldmine of knowledge. With its easy-to-use website interface and customizable PDF generator, this platform offers a user-friendly experience, allowing individuals to effortlessly navigate and access the information they seek. The availability of free PDF books and manuals on this platform demonstrates its commitment to democratizing education and empowering individuals with the tools needed to succeed in their chosen fields. It allows anyone, regardless of their background or financial limitations, to expand their horizons and gain insights from experts in various disciplines. One of the most significant advantages of downloading PDF books and manuals lies in their portability. Unlike physical copies, digital books can be stored and carried on a single device, such as a tablet or smartphone, saving valuable space and weight. This convenience makes it possible for readers to have their entire library at their fingertips, whether they are commuting, traveling, or simply enjoying a lazy afternoon at home. Additionally, digital files are easily searchable, enabling readers to locate specific information within seconds. With a few keystrokes, users can search for keywords, topics, or phrases, making research and finding relevant information a breeze. This efficiency saves time and effort, streamlining the learning process and allowing individuals to focus on extracting the information they need. Furthermore, the availability of free PDF books and manuals fosters a culture of continuous learning. By removing financial barriers, more people can access educational resources and pursue lifelong learning, contributing to personal growth and professional development. This democratization of knowledge promotes intellectual curiosity and empowers individuals to become lifelong learners, promoting progress and innovation in various fields. It is worth noting that while accessing free Kinetico 206 Manual PDF books and manuals is convenient and cost-effective, it is vital to respect copyright

laws and intellectual property rights. Platforms offering free downloads often operate within legal boundaries, ensuring that the materials they provide are either in the public domain or authorized for distribution. By adhering to copyright laws, users can enjoy the benefits of free access to knowledge while supporting the authors and publishers who make these resources available. In conclusion, the availability of Kinetico 206 Manual free PDF books and manuals for download has revolutionized the way we access and consume knowledge. With just a few clicks, individuals can explore a vast collection of resources across different disciplines, all free of charge. This accessibility empowers individuals to become lifelong learners, contributing to personal growth, professional development, and the advancement of society as a whole. So why not unlock a world of knowledge today? Start exploring the vast sea of free PDF books and manuals waiting to be discovered right at your fingertips.

FAQs About Kinetico 206 Manual Books

1. Where can I buy Kinetico 206 Manual books? Bookstores: Physical bookstores like Barnes & Noble, Waterstones, and independent local stores. Online Retailers: Amazon, Book Depository, and various online bookstores offer a wide range of books in physical and digital formats.
2. What are the different book formats available? Hardcover: Sturdy and durable, usually more expensive. Paperback: Cheaper, lighter, and more portable than hardcovers. E-books: Digital books available for e-readers like Kindle or software like Apple Books, Kindle, and Google Play Books.
3. How do I choose a Kinetico 206 Manual book to read? Genres: Consider the genre you enjoy (fiction, non-fiction, mystery, sci-fi, etc.). Recommendations: Ask friends, join book clubs, or explore online reviews and recommendations. Author: If you like a particular author, you might enjoy more of their work.
4. How do I take care of Kinetico 206 Manual books? Storage: Keep them away from direct sunlight and in a dry environment. Handling: Avoid folding pages, use bookmarks, and handle them with clean hands. Cleaning: Gently dust the covers and pages occasionally.
5. Can I borrow books without buying them? Public Libraries: Local libraries offer a wide range of books for borrowing. Book Swaps: Community book exchanges or online platforms where people exchange books.
6. How can I track my reading progress or manage my book collection? Book Tracking Apps: Goodreads, LibraryThing, and Book Catalogue are popular apps for tracking your reading progress and managing book collections. Spreadsheets: You can create your own spreadsheet to track books read, ratings, and other details.

7. What are Kinetico 206 Manual audiobooks, and where can I find them? Audiobooks: Audio recordings of books, perfect for listening while commuting or multitasking. Platforms: Audible, LibriVox, and Google Play Books offer a wide selection of audiobooks.
8. How do I support authors or the book industry? Buy Books: Purchase books from authors or independent bookstores. Reviews: Leave reviews on platforms like Goodreads or Amazon. Promotion: Share your favorite books on social media or recommend them to friends.
9. Are there book clubs or reading communities I can join? Local Clubs: Check for local book clubs in libraries or community centers. Online Communities: Platforms like Goodreads have virtual book clubs and discussion groups.
10. Can I read Kinetico 206 Manual books for free? Public Domain Books: Many classic books are available for free as they're in the public domain. Free E-books: Some websites offer free e-books legally, like Project Gutenberg or Open Library.

Find Kinetico 206 Manual :

~~meditech training manual pathology~~

medicare cpt code lookup

medical terminology quiz chapter 1

media analysis essay topics

medical laboratory techniques 6th edition

mechanotechnics n20question papers

mei statistics data presentation answers

medical terminology 4th edition a living language

meddings drill manual

medical surgical nursing test bank lewis

medical terminology module answers key

mechanics of materials solution manual hibbeler

mei core 2 logarithms

medication calculation competency test

mecono hpeng tzxx

Kinetico 206 Manual :

apartment building operation and maintenance manual - Oct 09 2021

operation and maintenance plan engineering division - Dec 11 2021

how to create an operation maintenance manual - Dec 23 2022

web if a to do list has been developed add it to the operation and maintenance manual as well

operations maintenance resident engagement - Jun 16 2022

web it is your definitely own grow old to put on reviewing habit along with guides you could enjoy now is apartment building operation and maintenance manual template below

step 19 create an operation and maintenance manual for project - Jan 24 2023

web the purpose of the o m manual is to provide the facilities manager owner operator users and occupants with a single reliable document for all matters related to the

o m manuals guide format documents file and - Jun 28 2023

web template for creating an o m manual for affordable housing projects use it as a guide for collecting o m information and for filling out the operation and maintenance manual

operation maintenance manual o m templates downloads - Jul 18 2022

web jan 15 2018 get apartment building operation and maintenance manual template pdf file fo apartment building operation and maintenance manual

how to create and maintain an o m manual with - May 28 2023

web apartment operations and maintenance manual probuild 39 375 3 0 page 7 2 3 emergency contact details service company telephone fire police

operation maintenance planning whole building - Oct 21 2022

web capture information for use by operations and maintenance personnel in efficient scheduling of operations assignment of equipment the management of input and output

facilities operations maintenance wbdg whole - Feb 22 2023

web building operations maintenance manual and plan rationale regular building operations maintenance o m practices using green methods minimize building

property management operations manual - Aug 19 2022

web 1 1 operation and maintenance plan purpose an operations and maintenance o m plan referred to in this document as

the plan is the most important reference for

comprehensive facility operation maintenance manual - Nov 21 2022

web jul 30 2021 get a head start by downloading our collection of free templates below so how do you get started writing a maintenance schedule let s acknowledge your

operations and maintenance manual template pdf - Apr 26 2023

web maintenance program that a is properly conceived and routinely and consistently carried out b is performed by qualified technicians whether in house or supplied by a contractor

building operation and maintenance manual template in word - Aug 31 2023

web 96 24 12k views 207 pages building operations manual uploaded by cart5636783 description this a generic high rise building management and operations manual

[o m manual template hud gov](#) - Feb 10 2022

building operations manual pdf property - Jul 30 2023

web oct 5 2019 detailed building operation maintenance manual o m manual for building owner format template best practices activities for service and maintenance

building operation and maintenance manual template - May 16 2022

apartment operations and maintenance manual amazon web - Sep 19 2022

web arial regular operations and maintenance manual purpose 6 arial regular 6 residents will receive a resident manual upon move in describing the operation and

[create an operation and maintenance manual for project brita](#) - Apr 14 2022

[apartment building maintenance schedule how to get started](#) - Mar 14 2022

apartment building operation and maintenance manual template - Nov 09 2021

green communities criteria certification - Jan 12 2022

[building operation and maintenance manual o m domitos blog](#) - Mar 26 2023

web drawings all drawings listed and linked we offer downloads templates and information on operation and maintenance

manuals building maintenance books and facilities

[ins herz neuschwanstein thriller by richter markus](#) - Mar 31 2022

web abebooks com ins herz neuschwanstein thriller 372 seiten das buch ist in einem sehr guten zustand sprache deutsch gewicht in gramm 387 ins herz neuschwanstein thriller by richter markus broschur 2017 originalausgabe nika books art crafts gbr

ins herz ein neuschwanstein thriller markus richter - Sep 05 2022

web oct 28 2017 der thriller ins herz ein neuschwanstein thriller ist eine fesselnde reise in die vergangenheit eine geschichtsstunde die spaß macht der historische temporeiche thriller ist ein lesetipp von mir für alle die gerne historische krimis und thriller mögen

ins herz neuschwanstein thriller bücher gebraucht - Nov 07 2022

web der neue thriller des nr 1 spiegel bestsellerautors der neue fall für sneijder und nemez eine geheimnisvolle nonne betritt das bka gebäude in wiesbaden und kündigt an in den nächsten 7 tagen 7 morde zu begehen

ins herz neuschwanstein thriller bd 1 epub weltbild - Dec 28 2021

web sofort verfügbar als ebook bei weltbild ch herunterladen bequem mit ihrem tablet oder ebook reader lesen ins herz neuschwanstein thriller bd 1 von markus richter

ins herz neuschwanstein thriller markus richter google books - Oct 06 2022

web die jungen hofbediensteten lenz und klara wollen sich in dieser nacht näherkommen doch sie stolpern in eine mörderische intrige als sie mit dem mut der verzweiflung eingreifen werden sie selber zur zielscheibe markus richter hat einen packenden thriller rund um könig ludwig ii geschrieben

[neuschwanstein thriller ins herz buchtrailer youtube](#) - Jun 02 2022

web neuschwanstein thriller ins herz buchtrailer youtube 1875 auf der baustelle der hohenschwangauer neuen burg neuschwanstein stirbt der bauführer durch einen schuss ins herz

ins herz von markus richter buch 978 3 944936 32 1 thalia - May 13 2023

web 1875 auf der baustelle der hohenschwangauer neuen burg neuschwanstein stirbt der bauführer durch einen schuss ins herz was die tatsächlich erhaltene chronik des dorflehrers nur knapp notiert macht markus richter zum ausgangspunkt eines atemlosen verschwörungsabenteuers

ins herz neuschwanstein thriller buch neu kaufen - Apr 12 2023

web 1875 auf der baustelle der hohenschwangauer neuen burg neuschwanstein stirbt der bauführer durch einen schuss ins herz was die tatsächlich erhaltene chronik des dorflehrers nur knapp notiert macht markus richter zum ausgangspunkt eines atemlosen verschwörungsabenteuers

ins herz neuschwanstein thriller lovelybooks - Jul 15 2023

web sep 18 2017 rezeption ins herz ein neuschwanstein thriller von markus richter 11 02 2020 erstausgabe vom 18 september 2017 klappentext in dieser nacht beginnt die jagd auf ein kleines päckchen das den größten im staate zu stürzen vermag es wird niemand verschont in dieser blauschwarzen nacht

ins herz neuschwanstein thriller bd 1 weltbild - Feb 10 2023

web bücher bei weltbild jetzt ins herz neuschwanstein thriller bd 1 von markus richter versandkostenfrei online kaufen bei weltbild ihrem bücher spezialisten versandkostenfrei 30 tage widerrufsrecht

hörbahn on stage markus richter und seine neuschwanstein thriller - Feb 27 2022

web aug 16 2023 literatur radio hörbahn 21 subscribers subscribe no views 2 minutes ago der neuschwanstein neuschwanstein de thriller ohne herz von markus richter die fortsetzung seines

ins herz neuschwanstein thriller amazon de - May 01 2022

web hello select your address books

ins herz neuschwanstein thriller bd 1 bücher de - Jun 14 2023

web in dieser nacht beginnt die jagd auf ein kleines päckchen das den größten im staate zu stürzen vermag es wird niemand verschont in dieser blauschwarzen nacht 1875 auf der baustelle der hohenschwangauer neuen burg neuschwanstein stirbt der bauführer durch einen schuss ins herz

ins herz neuschwanstein thriller goodreads - Jan 09 2023

web sep 18 2017 1875 auf der baustelle der hohenschwangauer neuen burg neuschwanstein stirbt der bauführer durch einen schuss ins herz was die tatsächlich erhaltene chronik des dorflehrers nur knapp notiert macht markus richter zum ausgangspunkt eines atemlosen verschwörungsabenteuers

ins herz neuschwanstein thriller markus richter buch - Dec 08 2022

web ins herz neuschwanstein thriller von markus richter jetzt erstausgabe bestellen preisvergleich käuferschutz wir bücher

neuschwanstein thriller ins herz ohne herz youtube - Jul 03 2022

web ins herz und ohne herz heißen die beiden neuschwanstein thriller von markus richter sie sind der erste und zweite teil der neuschwanstein thriller reihe

ins herz on apple books - Aug 04 2022

web es wird niemand verschont in dieser blauschwarzen nacht 1875 auf der baustelle der hohenschwangauer neuen burg neuschwanstein stirbt der bauführer durch einen schuss ins herz was die tatsächlich erhaltene chronik des dorflehrers nur knapp notiert macht markus richter zum ausgangspunkt eines atemlosen verschwörungsabenteuers

neuschwanstein thriller serie mit 3 büchern kindle ausgabe amazon de - Mar 11 2023

web 1875 auf der baustelle der hohenschwangauer neuen burg neuschwanstein stirbt der bauführer durch einen schuss ins herz was die tatsächlich erhaltene chronik des dorflehrers nur knapp notiert macht markus richter zum ausgangspunkt eines atemlosen verschwörungsabenteuers

ins herz neuschwanstein thriller amazon de - Aug 16 2023

web es wird niemand verschont in dieser blauschwarzen nacht 1875 auf der baustelle der hohenschwangauer neuen burg neuschwanstein stirbt der bauführer durch einen schuss ins herz was die tatsächlich erhaltene chronik des dorflehrers nur knapp notiert macht markus richter zum ausgangspunkt eines atemlosen verschwörungsabenteuers

niemand wird verschont in dieser blauschwarzen nacht - Jan 29 2022

web thriller ins herz niemand wird verschont in dieser blauschwarzen nacht c nachthimmel ricardo reitmeyer fotolia com c einschuss fablok fotolia com 1875 auf der baustelle der hohenschwangauer neuen burg neuschwanstein stirbt der bauführer durch einen schuss ins herz

karts fast lane open wheel racing ryan randolph - Dec 07 2022

web jul 13 2021 karts fast lane open wheel racing ryan randolph patience wins war in the works take your learning further take your learning further making the decision to study can be a big step which is why you ll want a trusted university the open university has 50 years experience delivering flexible learning and 170 000 students are

karts fast lane open wheel racing by ryan randolph - Jun 01 2022

web racing paperback fast lane open wheel racing series by tyrone geiou fun but can improve reviews photos fast lane indoor 34 best go karts images go kart karting kart racing karts fast lane open wheel racing randolph ryan karts gareth stevens karts ryan p randolph 9781433957581 fast track racing indoor go karts kart racing fast open

[karts fast lane open wheel racing by ryan randolph](#) - Apr 30 2022

web kart karting kart racing fun but can improve reviews photos fast lane indoor fast lane open wheel racing karts by ryan randolph real karting fast track fast lane indoor kart racing karts by ryan p randolph alibris karts ryan p randolph book in stock buy now at 9781433957604 karts fast lane open wheel racing by

fast lane open wheel racing karts by ryan randolph - Jul 14 2023

web kids and adults alike can race these tiny yet powerful vehicles on dirt and asphalt tracks the most powerful racing karts today known as superkarts can speed along at close to 160 miles 257 km per hour some top race car drivers including michael schumacher and tony stewart got their start in kart racing when they were kids

karts fast lane open wheel racing stephan wilkinson copy - May 12 2023

web karts fast lane open wheel racing is available in our book collection an online access to it is set as public so you can download it instantly our books collection saves in multiple countries allowing you to get the most less latency time to

karts fast lane open wheel racing by ryan randolph - Dec 27 2021

web interactive presents arma 3 karts news arma 3 gareth stevens life in the fast lane claremont mckenna college wele to acceleration kart racing fast lane indoor kart racing boise gopro life in the fast lane gokart party karts fast lane open wheel racing randolph ryan 10 ways to get a start in racing drivingline performance driving at

karts fast lane open wheel racing by ryan randolph mintxx - Jan 28 2022

web karts fast lane open wheel racing by ryan randolph karts fast lane open wheel racing by ryan randolph tracks amp karts fastlane karting karts ryan p randolph 9781433957581 diabetes in the fast lane chip ganassi racing fast lane indoor kart racing boise gopro how to drive the perfect racing line fast through apex

karts fast lane open wheel racing by ryan randolph - Oct 05 2022

web ryan randolph fast lane indoor kart racing boise gopro go kart racing tips amp tricks how to race go karts open wheel racing books 9781433957604 karts fast lane open wheel racing by page 2 kart racing in houston gokarts houston 173 best karting in fast lane images karting kart karts fast lane open wheel racing paperback bohemia

karts fast lane open wheel racing by ryan randolph - Sep 04 2022

web wheel racing book online at karts fast lane open wheel racing paperback page 2 kart racing in houston gokarts houston tracks amp karts fastlane karting 34 best go karts images go kart karting kart racing reseña del editor describes karts their design parts and where and how they are raced fast lane open wheel racing series by tyrone

karts fast lane open wheel racing by ryan randolph - Feb 26 2022

web kart racing fast lane open wheel racing series by tyrone geiou how to drive the perfect racing line fast through apex real karting fast track fast lane indoor kart racing 173 best

karts fast lane open wheel racing by ryan randolph liululu - Mar 30 2022

web racing jskc is the first go kart racing event in jaipur raj fast lane open wheel racing book read reviews from world s largest munity for readers if you think go karts are just a fun leisure activity prepare the track itself boasts a 570 metre all weather bitumen track with a fast straight some tight turns a hair pin and open sweepers with

karts fast lane open wheel racing by ryan p randolph - Jun 13 2023

web the most powerful racing karts today known as superkarts can speed along at close to 160 miles 257 km per hour some top race car drivers including michael schumacher and tony stewart got their start in kart racing when they were kids

karts fast lane open wheel racing wrbb neu - Jan 08 2023

web 2 karts fast lane open wheel racing 2022 06 06 the successful race car driver createspace independent publishing platform women stood behind men for centuries but in ad 61 queen bouicca came forward to save her people from the romans this tough warrior queen possessed traits that ruled in women triumph

karts fast lane open wheel racing randolph ryan - Aug 15 2023

web aug 16 2011 karts fast lane open wheel racing randolph ryan on amazon com free shipping on qualifying offers karts fast lane open wheel racing

fast lane open wheel racing series by tyrone georgiou goodreads - Mar 10 2023

web formula 1 fast lane open wheel racing indy cars fast lane open wheel racing fast lane open wheel racing karts midget cars fast lane open whe

karts fast lane open wheel racing pdf stackdockeridp fixspec - Aug 03 2022

web karts fast lane open wheel racing 1 karts fast lane open wheel racing sports betting racing driver sourcebook the successful race car driver cincinnati magazine go kart racing forbes just one spark skafey hot

karts fast lane open wheel racing by ryan randolph - Feb 09 2023

web karts fast lane open wheel racing by ryan randolph karts fast lane open wheel racing by ryan randolph wele to acceleration kart racing go kart racing tips amp tricks how to race go karts life in the fast lane gokart party gareth stevens fast lane open wheel racing karts by ryan randolph fun but can improve review of fast lane tripadvisor

fast lane open wheel racing gareth stevens - Apr 11 2023

web in this continuation of our high speed racing series readers get back on the track with open wheel racing from formula 1 to karts readers learn what it takes to make it in the competitive world of professional racing

karts fast lane open wheel racing pdf uniport edu - Nov 06 2022

web aug 20 2023 karts fast lane open wheel racing 2 8 downloaded from uniport edu ng on august 20 2023 by guest karts ryan p randolph 2011 08 01 if you think go karts are just a fun leisure activity prepare to be amazed kart racing has been a competitive motorsport around the world since the 1950s kids and adults alike can race these tiny

karts fast lane open wheel racing copy dashboard skreens - Jul 02 2022

web the successful race car driver karts fast lane open wheel racing downloaded from dashboard skreens com by guest chen rowe racing driver sourcebook the rosen publishing group inc fast lines is a collection of 55 of pete s columns fast lines from vintage racecar magazine the book includes looks at cars and racers from formula 1