

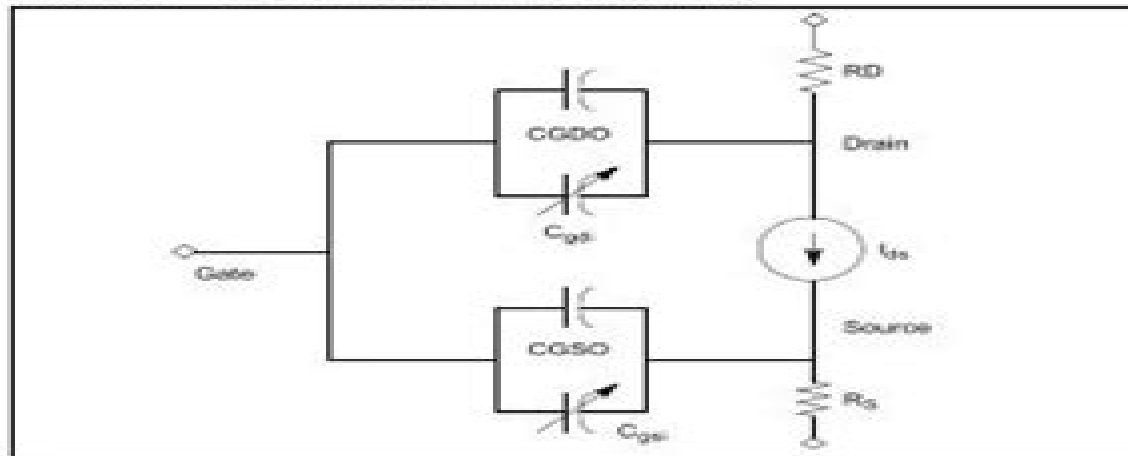
Cgd, Cgs

$$C_{gd} = C_{gdl} + CGDO \quad C_{gs} = C_{gs1} + CGSO$$

LEVEL 40 Model Topology

Figure 34 shows the topology of the LEVEL 40 model.

Figure 34 LEVEL 40 HP a-Si TFT Topology



References

- [1] Vladimirescu, Andrei and Liu, Sally. "Simulation of MOS Integrated Circuits Using SPICE2." University of California at Berkeley: Memorandum No. UCB/ERL M80/7, February 1980.
- [2] Huang, J.S., and Taylor, G.W. "Modeling of an Ion-Implanted Silicon Gate Depletion-Mode IGFET." *IEEE Trans. Elec. Dev.*, Vol. ED-22, pp. 995-1000, Nov. 1975.
- [3] Frohman-Bentchkowski, D. and Grove, A. S. "On the Effect of Mobility Variation on MOS Device Characteristics." *Proc. IEEE*, 56, 1968.

Hspice Mosfet Models Manual Texas Am University

Huangqi Zhang



Hspice Mosfet Models Manual Texas Am University:

Adopting the Tune of Expression: An Psychological Symphony within **Hspice Mosfet Models Manual Texas Am University**

In some sort of consumed by monitors and the ceaseless chatter of immediate transmission, the melodic splendor and emotional symphony produced by the published word often disappear in to the background, eclipsed by the constant sound and disruptions that permeate our lives. Nevertheless, nestled within the pages of **Hspice Mosfet Models Manual Texas Am University** a charming literary value brimming with fresh thoughts, lies an immersive symphony waiting to be embraced. Constructed by a masterful composer of language, this fascinating masterpiece conducts visitors on a mental journey, well unraveling the concealed songs and profound impact resonating within each carefully crafted phrase. Within the depths of this poignant review, we shall examine the book is main harmonies, analyze their enthralling writing type, and surrender ourselves to the profound resonance that echoes in the depths of readers souls.

https://staging.conocer.cide.edu/results/book-search/HomePages/grammar_worksheets_and_answers.pdf

Table of Contents Hspice Mosfet Models Manual Texas Am University

1. Understanding the eBook Hspice Mosfet Models Manual Texas Am University
 - The Rise of Digital Reading Hspice Mosfet Models Manual Texas Am University
 - Advantages of eBooks Over Traditional Books
2. Identifying Hspice Mosfet Models Manual Texas Am University
 - Exploring Different Genres
 - Considering Fiction vs. Non-Fiction
 - Determining Your Reading Goals
3. Choosing the Right eBook Platform
 - Popular eBook Platforms
 - Features to Look for in an Hspice Mosfet Models Manual Texas Am University
 - User-Friendly Interface
4. Exploring eBook Recommendations from Hspice Mosfet Models Manual Texas Am University
 - Personalized Recommendations

- Hspice Mosfet Models Manual Texas Am University User Reviews and Ratings
- Hspice Mosfet Models Manual Texas Am University and Bestseller Lists
- 5. Accessing Hspice Mosfet Models Manual Texas Am University Free and Paid eBooks
 - Hspice Mosfet Models Manual Texas Am University Public Domain eBooks
 - Hspice Mosfet Models Manual Texas Am University eBook Subscription Services
 - Hspice Mosfet Models Manual Texas Am University Budget-Friendly Options
- 6. Navigating Hspice Mosfet Models Manual Texas Am University eBook Formats
 - ePub, PDF, MOBI, and More
 - Hspice Mosfet Models Manual Texas Am University Compatibility with Devices
 - Hspice Mosfet Models Manual Texas Am University Enhanced eBook Features
- 7. Enhancing Your Reading Experience
 - Adjustable Fonts and Text Sizes of Hspice Mosfet Models Manual Texas Am University
 - Highlighting and Note-Taking Hspice Mosfet Models Manual Texas Am University
 - Interactive Elements Hspice Mosfet Models Manual Texas Am University
- 8. Staying Engaged with Hspice Mosfet Models Manual Texas Am University
 - Joining Online Reading Communities
 - Participating in Virtual Book Clubs
 - Following Authors and Publishers Hspice Mosfet Models Manual Texas Am University
- 9. Balancing eBooks and Physical Books Hspice Mosfet Models Manual Texas Am University
 - Benefits of a Digital Library
 - Creating a Diverse Reading Collection Hspice Mosfet Models Manual Texas Am University
- 10. Overcoming Reading Challenges
 - Dealing with Digital Eye Strain
 - Minimizing Distractions
 - Managing Screen Time
- 11. Cultivating a Reading Routine Hspice Mosfet Models Manual Texas Am University
 - Setting Reading Goals Hspice Mosfet Models Manual Texas Am University
 - Carving Out Dedicated Reading Time
- 12. Sourcing Reliable Information of Hspice Mosfet Models Manual Texas Am University
 - Fact-Checking eBook Content of Hspice Mosfet Models Manual Texas Am University

- Distinguishing Credible Sources
- 13. Promoting Lifelong Learning
 - Utilizing eBooks for Skill Development
 - Exploring Educational eBooks
- 14. Embracing eBook Trends
 - Integration of Multimedia Elements
 - Interactive and Gamified eBooks

Hspice Mosfet Models Manual Texas Am University Introduction

In the digital age, access to information has become easier than ever before. The ability to download Hspice Mosfet Models Manual Texas Am University has revolutionized the way we consume written content. Whether you are a student looking for course material, an avid reader searching for your next favorite book, or a professional seeking research papers, the option to download Hspice Mosfet Models Manual Texas Am University has opened up a world of possibilities. Downloading Hspice Mosfet Models Manual Texas Am University provides numerous advantages over physical copies of books and documents. Firstly, it is incredibly convenient. Gone are the days of carrying around heavy textbooks or bulky folders filled with papers. With the click of a button, you can gain immediate access to valuable resources on any device. This convenience allows for efficient studying, researching, and reading on the go. Moreover, the cost-effective nature of downloading Hspice Mosfet Models Manual Texas Am University has democratized knowledge. Traditional books and academic journals can be expensive, making it difficult for individuals with limited financial resources to access information. By offering free PDF downloads, publishers and authors are enabling a wider audience to benefit from their work. This inclusivity promotes equal opportunities for learning and personal growth. There are numerous websites and platforms where individuals can download Hspice Mosfet Models Manual Texas Am University. These websites range from academic databases offering research papers and journals to online libraries with an expansive collection of books from various genres. Many authors and publishers also upload their work to specific websites, granting readers access to their content without any charge. These platforms not only provide access to existing literature but also serve as an excellent platform for undiscovered authors to share their work with the world. However, it is essential to be cautious while downloading Hspice Mosfet Models Manual Texas Am University. Some websites may offer pirated or illegally obtained copies of copyrighted material. Engaging in such activities not only violates copyright laws but also undermines the efforts of authors, publishers, and researchers. To ensure ethical downloading, it is advisable to utilize reputable websites that prioritize the legal distribution of content. When downloading Hspice Mosfet Models Manual Texas Am University, users should also consider the potential security risks associated with

online platforms. Malicious actors may exploit vulnerabilities in unprotected websites to distribute malware or steal personal information. To protect themselves, individuals should ensure their devices have reliable antivirus software installed and validate the legitimacy of the websites they are downloading from. In conclusion, the ability to download Hspice Mosfet Models Manual Texas Am University has transformed the way we access information. With the convenience, cost-effectiveness, and accessibility it offers, free PDF downloads have become a popular choice for students, researchers, and book lovers worldwide. However, it is crucial to engage in ethical downloading practices and prioritize personal security when utilizing online platforms. By doing so, individuals can make the most of the vast array of free PDF resources available and embark on a journey of continuous learning and intellectual growth.

FAQs About Hspice Mosfet Models Manual Texas Am University Books

1. Where can I buy Hspice Mosfet Models Manual Texas Am University books? Bookstores: Physical bookstores like Barnes & Noble, Waterstones, and independent local stores. Online Retailers: Amazon, Book Depository, and various online bookstores offer a wide range of books in physical and digital formats.
2. What are the different book formats available? Hardcover: Sturdy and durable, usually more expensive. Paperback: Cheaper, lighter, and more portable than hardcovers. E-books: Digital books available for e-readers like Kindle or software like Apple Books, Kindle, and Google Play Books.
3. How do I choose a Hspice Mosfet Models Manual Texas Am University book to read? Genres: Consider the genre you enjoy (fiction, non-fiction, mystery, sci-fi, etc.). Recommendations: Ask friends, join book clubs, or explore online reviews and recommendations. Author: If you like a particular author, you might enjoy more of their work.
4. How do I take care of Hspice Mosfet Models Manual Texas Am University books? Storage: Keep them away from direct sunlight and in a dry environment. Handling: Avoid folding pages, use bookmarks, and handle them with clean hands. Cleaning: Gently dust the covers and pages occasionally.
5. Can I borrow books without buying them? Public Libraries: Local libraries offer a wide range of books for borrowing. Book Swaps: Community book exchanges or online platforms where people exchange books.
6. How can I track my reading progress or manage my book collection? Book Tracking Apps: Goodreads, LibraryThing, and Book Catalogue are popular apps for tracking your reading progress and managing book collections. Spreadsheets: You can create your own spreadsheet to track books read, ratings, and other details.
7. What are Hspice Mosfet Models Manual Texas Am University audiobooks, and where can I find them? Audiobooks:

- Audio recordings of books, perfect for listening while commuting or multitasking. Platforms: Audible, LibriVox, and Google Play Books offer a wide selection of audiobooks.
8. How do I support authors or the book industry? Buy Books: Purchase books from authors or independent bookstores. Reviews: Leave reviews on platforms like Goodreads or Amazon. Promotion: Share your favorite books on social media or recommend them to friends.
 9. Are there book clubs or reading communities I can join? Local Clubs: Check for local book clubs in libraries or community centers. Online Communities: Platforms like Goodreads have virtual book clubs and discussion groups.
 10. Can I read Hspice Mosfet Models Manual Texas Am University books for free? Public Domain Books: Many classic books are available for free as they're in the public domain. Free E-books: Some websites offer free e-books legally, like Project Gutenberg or Open Library.

Find Hspice Mosfet Models Manual Texas Am University :

grammar worksheets and answers

grade9 technology mini pat

[gradpoint trigonometry chapter 5 post test answers](#)

[gram-tica-c-district-196-e-learning-with-answers](#)

[grand-cherokee-hemi-manual](#)

[grand-dakshana-selection-test-2015-result](#)

[gradepure-maths-paper-november-2014](#)

[grave-witch-an-alex-craft-novel](#)

[graines-voyageurs-aquitaine-collectif](#)

graphing distance vs time worksheet answers

[grandfather-tang-s-story](#)

[gratis-boeken-lezen-op-ipad](#)

[grasshopper-preschool-art-activity](#)

[graduate-membership-manual-aka](#)

[grading-rubric-for-note-taking](#)

Hspice Mosfet Models Manual Texas Am University :

rangkaian listrik wikipedia bahasa indonesia ensiklopedia bebas - Jun 02 2022

web rangkaian listrik merupakan hubungan antara komponen listrik yang dialiri oleh arus listrik dalam kondisi rangkaian tertutup dalam teknik listrik analisis rangkaian listrik merupakan kajian utamanya komponen utama dari kelistrikan yang dianalisa pada rangkaian listrik ialah gaya dan pertukaran energi antar muatan listrik analisa

perencanaan instalasi listrik rumah 2 lantai engineering - Sep 05 2022

web sep 6 2020 perencanaan instalasi listrik rumah 2 lantai ini biasanya menggunakan dua buah mcb sebagai pengaman sekaligus pembagi sirkit rangkaian seperti gambar di atas untuk merencanakan instalasi listrik rumah 2 lantai ini membutuhkan beberapa langkah diantaranya sbb

bahan kuliah kelistrikan sistem pendingin direktori file upi - May 01 2022

web overload merupakan pembatas agar rangkaian kelistrikan di dalamnya aman dari kelebihan arus listrik jika arus listrik yang mengalir melebihi batas kekuatan overload maka gambar 10a dan 10b menunjukkan diagram rangkaian pengawatan untuk dtfd thermostat diagram tersebut hanya menunjukkan prinsip prinsip hubungan

buku panduan praktikum instalasi listrik - Jun 14 2023

web 2 pasanglah instalasinya pengawatannya untuk rangkaian daya dan rangkaian pengendali seperti gambar 4 4 gambar 4 4 rangkaian daya dan rangkaian pengendali 3 setelah selesai merangkai periksakanlah rangkaian anda pada instruktur guru 4 setelah di setujui instruktur guru hubungkan rangkaian ke sumber tegangan 5 tekan

rangkaian listrik pengawatan - Nov 07 2022

web rangkaian listrik pengawatan 1 rangkaian listrik pengawatan himpunan peraturan di bidang perdagangan electrical principles for the electrical trades modul praktek teknik listrik interior electronic devices and circuit theory 9 e with cd buku ajar sistem kontrol dan kelistrikan mesin practical troubleshooting of electrical equipment and control

menggambar pengawatan rangkaian instalasi listrik part 1 - May 13 2023

web jul 27 2019 teknik instalasi skema instalasi listrik rumah pengawatan instalasi listrik diagram pengawatan instalasi listrik menggambar teknik contoh menggambar pengawatan instalasi listrik

diagram satu garis dan diagram pengawatan saklar seri - Jul 15 2023

web apr 11 2020 diagram pengawatan wiring diagram adalah diagram atau gambar yang menghubungkan antara beberapa komponen listrik yang dinyatakan dalam simbol simbol dan garis garis penghubungnya nah berikut ini merupakan diagram pengawatan wiring diagram saklar seri

rangkaian listrik pengawatan wrbb neu edu - Dec 28 2021

web 2 rangkaian listrik pengawatan 2019 10 20 app building and computer science app inventor 2 makes an excellent

textbook for beginners and experienced developers alike use programming blocks to build apps like working on a puzzle create custom multi media quizzes and study guides design games and other apps with 2d graphics

menggambar pengawatan instalasi listrik phb youtube - Dec 08 2022

web sep 17 2019 vidio menggambar pengawatan instalasi listrik kali ini sudah memasuki ke tahap perlengkapan hubung bagi atau sering di singkat phb pada rangkaian ini saya hanya menggunakan 3 mcb pada panel

teknik pengawatan plc sistem pengawatan plc teknik perancangan - Jul 03 2022

web 3 1 3 pengawatan input rangkaian input pada suatu plc menggunakan penggandeng optik optocoupler untuk mengisolasi rangkaian eksternal dan rangkaian internal input plc secara elektrik penggandeng optik bertujuan melindungi rangkaian internal plc dari kemungkinan kerusakan akibat pemasangan piranti input

ppt diagram pengawatan app inengah setiawan - Jan 09 2023

web daftar isi bahaya listrik dan sistem pengamanannya instalasi listrik bahaya listrik bagi manusia bahaya kebakaran dan peledakan peraturan instalasi listrik prinsip dasar instalasi bangunan iec 364 1 macam macam lampu listrik perancangan dan pemasangan pipa pada instalasi listrik sistem pentanahan

cara mudah pengawatan rangkaian star delta youtube - Aug 04 2022

web cara mudah dan simpel pengawatan rangkaian star delta yang biasa digunakan untuk motor listrik berkapasitas besar berfungsi untuk mengurangi lonjakan nilai arus start perpindahan antara star

menggambar pengawatan rangkaian instalasi listrik pada denah rumah - Apr 12 2023

web nov 8 2019 vidio kali ini saya akan memberikan penjelasan tentang cara menggambar rangkaian instalasi listrik pada denah rumah bagi teman teman yang ingin belajar sila

buku informasi memasang instalasi listrik - Feb 10 2023

web sektor listrik sub sektor instalasi pemanfaatan tenaga listrik kode modul ktl ik02 118 01 judul modul memasang instalasi listrik bangunan sederhana rumah tinggal sekolah rumah ibadah buku informasi versi 2018 halaman 6 dari 38 peralatan material instalasi listrik sedemikian rupa sehingga tidak mengurangi

rangkaiannya waktu tunda listrik pln on youtube - Mar 11 2023

web ini adalah cara mudah pengawatan rangkaian penunda waktu nyala listrik pln menggunakan tdr omron h3cr a8 berfungsi sebagai rangkaian pelindung beban dari lonjakan arus secara tiba tiba

diagram satu garis dan diagram pengawatan saklar tunggal - Aug 16 2023

web apr 8 2020 diagram satu garis dan pengawatan saklar tunggal pada suatu instalasi listrik rumah terdapat komponen komponen listrik yang dipasang sedemikian rupa untuk tujuan penerangan maupun tenaga dalam instalasi listrik penerangan digunakan komponen utama berupa saklar kabel dan lampu

pdf prototipe pengaman peralatan instalasi listrik dan tegangan - Mar 31 2022

web nov 30 2019 bahaya listrik merupakan ancaman yang tidak terlihat namun dapat menghilangkan nyawa manusia dan menyebabkan terjadinya kebakaran rangkaian pengawatan instalasi rumah tegangan sentuh

rangkaiian listrik di rumah tangga materi mafia online - Feb 27 2022

web oke sekarang mafia online contohkan jika spesifikasi kuat arus listrik di rumah anda sebesar 2 a dan tegangan listriknya 220 volt maka daya listrik maksimal yang bisa anda gunakan di rumah anda 440 watt ingat konsep daya listrik jika lebih dari 440 watt maka kumparan pemutus daya akan menerima arus berlebih sehingga secara otomatis

pengawatan rangkaian daya dan kontrol forward reverse motor 1 - Jan 29 2022

web pengawatan rangkaian daya dan kontrol forward reverse motor 1 phase youtube ini adalah part kedua dari video sebelumnya tentang motor 1 phase forward reverse kali ini saya akan memberikan

rangkaiian listrik pengertian jenis komponen dan rumusnya kompas com - Oct 06 2022

web sep 6 2021 alat elektronik bisa tersambung ke sumber daya listrik dan menyala tidak lepas dari keberadaan rangkaian listrik apakah rangkaian listrik itu dilansir dari encyclopedia britannica pengertian tentang rangkaian listrik adalah jalur untuk mentransmisikan arus listrik

prototipe lift barang 4 lantai menggunakan kendali plc - Dec 28 2022

web penelitian ini bertujuan untuk merancang bangun simulator sistem kontroller elevator 3 lantai berbasis program visual plant system elevator dan kontrollernya berupa simulator yang dibuat menggunakan program delphi sistem elevator yang dibuat mengikuti cara kerja peralatan modul praktikum elevator 3 lantai yang ada pada laboratorium sistem

lift 3 lantai plc pdf slideshare - Oct 06 2023

web jul 31 2018 tugas akhir simulasi pengontrolan elevator 3 lantai dengan menggunakan plc 4 1 5 3 bab iii perancangan bab ini akan dimulai dengan penjelasan tentang pembuatan alat simulasi elevator 3 lantai kemudian penentuan input dan output plc sebagai interaksi antara plc dengan alat simulasi tersebut

lift 3 floors using plc model fp1 c14 ladder diagram - Aug 04 2023

web feb 27 2002 to give you an idea the lift will need a motor that reverses the lift car will need pushbuttons for floor 1 2 3 plus an estop each floor will need 1 or 2 pushbutton s the lift will need to know what floor its at this can use limit switches or prox but an encoder on motor may be good

rancang bangun model lift cerdas 3 lantai dengan menggunakan plc omron - Jun 02 2023

web dalam pembuatan prototype ini menggunakan alternatif lain untuk menggantikan peran plc dalam mengendalikan proses elevator atau lift yang bekerja yaitu menggunakan mikrokontroler arduino unoprototype elevator atau lift ini berpedoman pada lift sebenarnya yang terdiri dari sensor di setiap lantai yang digunakan sebagai gerakan

perancangan dan pembuatan sistem kendali miniatur lift 3 lantai - May 21 2022

web sistem perancangan lift tiga lantai berdasarkan seleksi barang secara otomatis menggunakan programmable logic controller plc tugas akhir kendali posisi menggunakan fuzzy logic berbasis programmable logic controller perancangan smart home berbasis

pengendalian ruang lift berbasis mini plc pada lift 3 lantai - Jun 21 2022

web sistem kontrol ruang lift menggunakan plc programmable logic control dengan input pemanggil ruang lift berupa push button dan sistem pemberhentian ruang menggunakan sensor proximity yang dipasang tiap lantai

rancang bangun miniatur lift 3 lantai menggunakan plc - Jul 03 2023

web penelitian ini membuat sistem kontrol miniatur lift 3 lantai menggunakan plc sebagai komponen utama yang pengembangannya dapat diaplikasikan pada gedung bertingkat untuk memudahkan operasional yang dilakukan para pekerjanya miniatur lift 3 lantai ini juga menambahkan hmi human machine interface dan push button yang berada

plc ve motion kontrol sistemleri hktm - Aug 24 2022

web plcopen tabanlı yazılım desteği ayrıca standart hareket kontrol işlevlerine erişim sağlar açık teknoloji ve iletişim arayüzleri mld nin otomasyon konseptinizle entegrasyonunu kolaylaştırır plc sistemleri xm plc kontrollör xm serisi kompakt kontrol platformları s20 formatında sağlam bir muhafaza içinde en son donanım

lift 3 lantai pdf scribd - Mar 19 2022

web perancangan hardware lift tiga lantai pada perancangan lift kali ini merupakan sistem perancangan lift 3 lantai dengan mikrokontroler sebagai pengendali utama pada perangkat lift ini kemudian pada sistem kontrolernya memiliki 5 rangkaian pembangun yang saling berhubungan satu sama lain

modul trainer lift 3 lantai repaired pdf scribd - Nov 26 2022

web i pengenalan papan panel kontrol perangkat lift 3 lantai dan konveyor box trainer plc kontrol dan power sebelum memulai praktik dengan menggunakan trainer pengguna perlu mengenal dan memahami bagian bagian dari trainer trainer lift 3 lantai terdiri dari 3 bagian penting yaitu a box trainer b

bab i pendahuluan 1 1 latar belakang unair repository - Feb 15 2022

web berbasis plc programmable logic controller 1 3 batasan masalah adapun batasan masalah dalam pembuatan sistem ini adalah 1 program plc programmable logic controller berupa ladder diagram 2 desain human machine interface dari lift 3 lantai 3 simulasi lift 3 lantai dapat berjalan dengan satu instruksi 1 4 tujuan adapun tujuan

plc motion kontrol cnc revizyon ve plc programlama - Oct 26 2022

web pınar mühendislik olarak bir kaç eksenlik basit pozisyonlamalardan 10 ve üzeri eksenli senkron ve doğrusal olmayan interpolate eksen hareketlerine kadar bir çok hareket kontrol uygulaması yapılabilmektedir s7 1200 temel plc ile v90 servo

pozisyon kontrol g120 asenkron hız ve tork kontrol uygulamaları s7 1500 standart

plc untuk pengendali lift ugm - Sep 24 2022

web plc untuk pengendali lift a tujuan praktikum 1 mampu membuat diagram urutan pengendalian 2 mampu mengaplikasikan diagram pengendalian ke dalam bahasa pemrograman menganggap lift berada pada lantai 3 maka akibatnya penekanan tersebut lift akan diam selama 5 detik di lantai tersebut kemudian lift turun ke lantai 2

default workshop lift 3 lantai plc blogger - Apr 19 2022

web nov 8 2009 pada diagram kotak programmable logic control plc bertindak sebagai pengendali utama dimana plc akan memproses data masukan dan data keluaran dari alat yang dikendalikan data keluaran digunakan sebagai masukan ke rangkaian kendali motor untuk motor listrik arus searah

simulasi kontrol lift 3 lantai 3 floors elevator control simulation - Jul 23 2022

web simulasi kontrol lift 3 lantai menggunakan arduino uno

rancang bangun simulator sistem kontrol elevator 3 lantai - Jan 29 2023

web penelitian ini bertujuan untuk merancang bangun simulator sistem controller elevator 3 lantai berbasis program visual plant system elevator dan kontrollernya berupa simulator yang dibuat menggunakan program delphi sistem elevator yang dibuat mengikuti cara kerja peralatan modul praktikum elevator 3 lantai yang ada pada laboratorium sistem

sistem lift 3 lantai berbasis plc datasheet sensor aktuator - Mar 31 2023

web apr 27 2021 sistem lift 3 lantai berbasis plc datasheet sensor aktuator wiring diagram cx programmer oka indra 78 subscribers subscribe 620 views 2 years ago sebuah mahakarya dari mahasiswa jurusan

rancang bangun miniatur lift 3 lantai menggunakan plc - May 01 2023

web miniatur lift 3 lantai ini dapat bekerja dengan baik menggunakan plc sebagai kontrol atau kendali sistemnya dan menambahkan hmi dan push button pada diminiatur lift plc yang digunakan adalah omron tipe cp1e n30dsr a dengan 14 input dan 8 output

rancang bangun model lift cerdas 3 lantai dengan menggunakan plc omron - Feb 27 2023

web telah terealisasinya lift cerdas 3 lantai dengan plc omron zen c1ar a v2 sebagai pengendali utamanya 2 penggunaan metode fuzzy logic mampu memberikan kecerdasan buatan pada sistem lift 3 lift mampu membandingkan masing-masing input yang ada dan menarik keputusan yang akan dijalankan berdasarkan data yang didapat

kontrol lift 3 lantai pdf scribd - Sep 05 2023

web 1 pendahuluan pada perkembangan saat ini lift memiliki sistem kontrol yang canggih dimana semakin kompleks serta rumit saat ini lift sudah dilengkapi sistem kontrol yang menggunakan plc mikrokontroler maupun mikroprosesor sedangkan fpga merupakan media alternative yang dapat digunakan untuk implementasi sistem kontrol lift tersebut

[natural barefoot trimming the hoof guided method](#) - Sep 12 2023

web jan 30 2013 photo courtesy of maureen tierney from the author the hoof guided method is truly a less is more method based on the theory that a barefoot trim should mimic or simulate the action of the ground on the hoof and that the true purpose of

learning hoof care natural horse world - Nov 02 2022

web sep 4 2012 natural barefoot trimming the hoof guided method offers a unique method of barefoot trimming based on reading the hoof learn what to trim and what

[natural barefoot trimming the hoof guided method alibris](#) - May 28 2022

web jan 5 2010 listed below are some of the natural barefoot trimming methods available today easycare does not recommend one method over the other it is a personal

beveling the hoof the hoof guided method youtube - Jun 09 2023

web jan 13 2013 natural barefoot trimming a tutorial on beveling the hoof using the hoof guided method for more information on barefoot trimming and the hoof guided

[natural barefoot trimming the hoof guided](#) - Dec 03 2022

web natural barefoot trimming the hoof guided method offers a unique method of barefoot trimming based on reading the hoof learn what to trim and what to leave

[amazon com customer reviews natural barefoot trimming](#) - Nov 21 2021

natural barefoot trimming the hoof guided method - Aug 31 2022

web natural barefoot trimming the hoof guided method offers a unique method of barefoot trimming based on reading the hoof learn what to trim and what to leave

natural barefoot trimming the hoof guided method - Apr 07 2023

web natural barefoot trimming the hoof guided method offers a unique method of barefoot trimming based on reading the hoof learn what to trim and what to leave

[the hoof guided method barefoot trimming facebook](#) - Mar 26 2022

web parc botannia facebook natural barefoot hoof trimmer located in monterey tn serving the middle and east tennessee areas phone 931 510 5726

natural barefoot trimming the hoof guided method - Jan 24 2022

[natural barefoot trimming the hoof guided method](#) - Jul 30 2022

web the natural barefoot trim s method of maintaining good hoof balance which is very different from the ordinary mechanistic approach has also yielded very positive results

natural barefoot trimming the hoof guided method - Jan 04 2023

web sep 2 2012 natural barefoot trimming the hoof guided method offers a unique method of barefoot trimming based on reading the hoof learn what to trim and what

natural barefoot trimming the hoof guided method - May 08 2023

web kindle edition natural barefoot trimming the hoof guided method offers a unique method of barefoot trimming based on reading the hoof learn what to trim and what

natural barefoot trimming the hoof guided method - Mar 06 2023

web natural barefoot trimming the hoof guided method offers a unique method of barefoot trimming based on reading the hoof learn what to trim and what to leave

different barefoot trims our hoof care journey happy - Apr 26 2022

web natural barefoot trimming the hoof guided method offers a unique method of barefoot trimming based on reading the hoof learn what to trim and what to leave

natural barefoot trimming the hoof guided method - Aug 11 2023

web sep 2 2012 natural barefoot trimming the hoof guided method offers a unique method of barefoot trimming based on reading the hoof learn what to trim and what

home natural barefoot hoof trimming - Dec 23 2021

how do i choose a trimming method easycare hoof boot - Feb 22 2022

web find helpful customer reviews and review ratings for natural barefoot trimming the hoof guided method at amazon com read honest and unbiased product reviews from our

natural barefoot trimming the hoof guided method - Jul 10 2023

web natural barefoot trimming the hoof guided method offers a unique method of barefoot trimming based on reading the hoof learn what to trim and what to leave

natural barefoot trimming 10 trimming bars of the - Jun 28 2022

web the hoof guided method barefoot trimming english indiana 1 768 likes 3 talking about this the hgm is about listening to the horse s foot and trimming based on what

natural barefoot trimming the hoof guided method - Oct 01 2022

web natural barefoot trimming the hoof guided method offers a unique method of barefoot trimming based on reading the

hoof learn what to trim and what to leave

natural barefoot trimming the hoof guided method - Feb 05 2023

web natural barefoot trimming the hoof guided method tierney maureen amazon com tr kitap