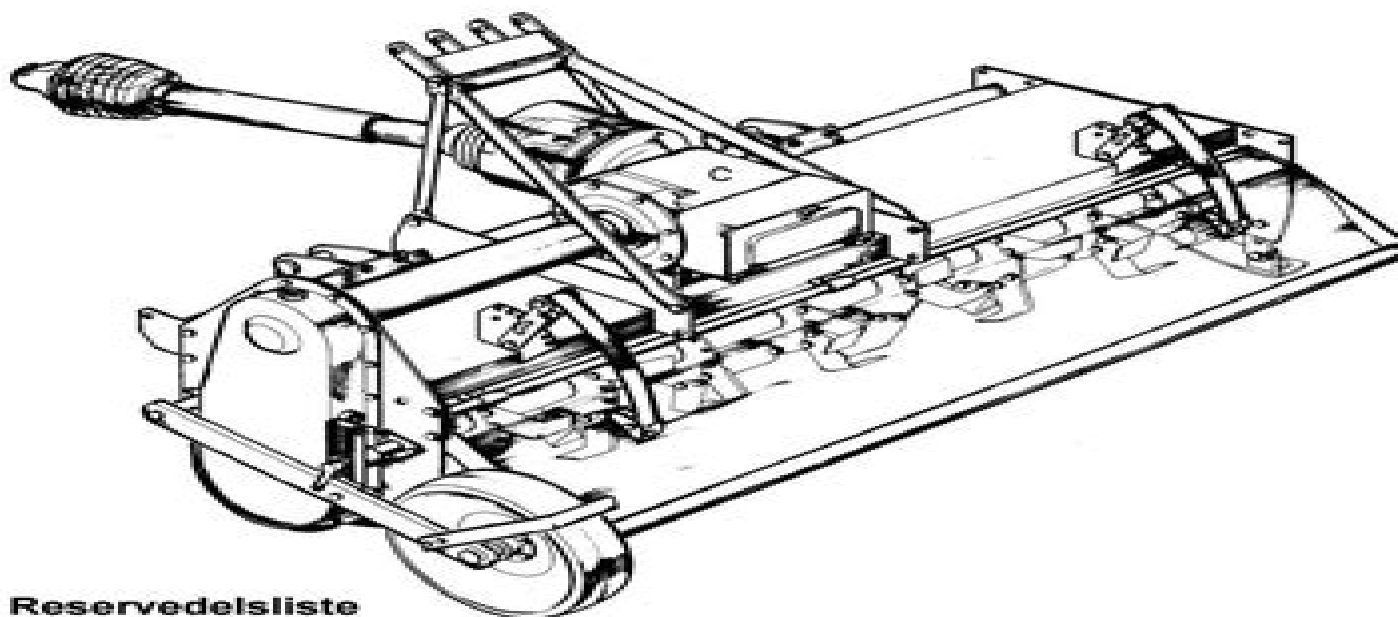


ROTAVATOR HR20

**Reservedelsliste
Spare parts list
Ersatzteilliste
Onderdelenlijst
Liste de pièce de rechange
Lista de Piezas
Parti di ricambio**

Howard Rotavator 220 Parts Manual

J Dewey



Howard Rotavator 220 Parts Manual:

Kelly's Directory of Merchants, Manufacturers and Shippers of the World ,1963 The Yachtsman's Guide Howard
Patterson,1887 **Kelly's Directory of Merchants, Manufacturers and Shippers** ,1963 **Catalog of Copyright**
Entries Library of Congress. Copyright Office,1967 Indiana Farmers Guide (1947) ,1961 **The English Catalogue of**
Books Sampson Low,1906 Volumes for 1898 1968 include a directory of publishers *Cars & Parts* ,1971 Collier's
,1904 **New England Homestead** ,1942 *The Spectator* ,1856 *National Stockman and Farmer* ,1902 California
Farmer ,1978 Gardeners' Chronicle ,1855 *Scientific American* ,1867 Monthly magazine devoted to topics of general
scientific interest Union Agriculturist and Western Prairie Farmer ,1987 **Agricultural Engineers Yearbook**
American Society of Agricultural Engineers,1979 *Catalog of Copyright Entries. Third Series* Library of Congress.
Copyright Office,1965 *Wallaces Farmer* ,1987 Editor & Publisher Market Guide ,1940 **British Power Farmer**
and Agricultural Engineer ,1983

Thank you for downloading **Howard Rotavator 220 Parts Manual**. As you may know, people have search numerous times for their favorite readings like this Howard Rotavator 220 Parts Manual, but end up in malicious downloads. Rather than enjoying a good book with a cup of tea in the afternoon, instead they are facing with some malicious bugs inside their computer.

Howard Rotavator 220 Parts Manual is available in our digital library an online access to it is set as public so you can download it instantly.

Our books collection spans in multiple locations, allowing you to get the most less latency time to download any of our books like this one.

Kindly say, the Howard Rotavator 220 Parts Manual is universally compatible with any devices to read

<https://staging.conocer.cide.edu/book/uploaded-files/Documents/global%20business%20today%20postscript%202002pb2002%202nd%20ed.pdf>

Table of Contents Howard Rotavator 220 Parts Manual

1. Understanding the eBook Howard Rotavator 220 Parts Manual
 - The Rise of Digital Reading Howard Rotavator 220 Parts Manual
 - Advantages of eBooks Over Traditional Books
2. Identifying Howard Rotavator 220 Parts Manual
 - Exploring Different Genres
 - Considering Fiction vs. Non-Fiction
 - Determining Your Reading Goals
3. Choosing the Right eBook Platform
 - Popular eBook Platforms
 - Features to Look for in an Howard Rotavator 220 Parts Manual
 - User-Friendly Interface
4. Exploring eBook Recommendations from Howard Rotavator 220 Parts Manual

- Personalized Recommendations
 - Howard Rotavator 220 Parts Manual User Reviews and Ratings
 - Howard Rotavator 220 Parts Manual and Bestseller Lists
5. Accessing Howard Rotavator 220 Parts Manual Free and Paid eBooks
 - Howard Rotavator 220 Parts Manual Public Domain eBooks
 - Howard Rotavator 220 Parts Manual eBook Subscription Services
 - Howard Rotavator 220 Parts Manual Budget-Friendly Options
 6. Navigating Howard Rotavator 220 Parts Manual eBook Formats
 - ePub, PDF, MOBI, and More
 - Howard Rotavator 220 Parts Manual Compatibility with Devices
 - Howard Rotavator 220 Parts Manual Enhanced eBook Features
 7. Enhancing Your Reading Experience
 - Adjustable Fonts and Text Sizes of Howard Rotavator 220 Parts Manual
 - Highlighting and Note-Taking Howard Rotavator 220 Parts Manual
 - Interactive Elements Howard Rotavator 220 Parts Manual
 8. Staying Engaged with Howard Rotavator 220 Parts Manual
 - Joining Online Reading Communities
 - Participating in Virtual Book Clubs
 - Following Authors and Publishers Howard Rotavator 220 Parts Manual
 9. Balancing eBooks and Physical Books Howard Rotavator 220 Parts Manual
 - Benefits of a Digital Library
 - Creating a Diverse Reading Collection Howard Rotavator 220 Parts Manual
 10. Overcoming Reading Challenges
 - Dealing with Digital Eye Strain
 - Minimizing Distractions
 - Managing Screen Time
 11. Cultivating a Reading Routine Howard Rotavator 220 Parts Manual
 - Setting Reading Goals Howard Rotavator 220 Parts Manual
 - Carving Out Dedicated Reading Time
 12. Sourcing Reliable Information of Howard Rotavator 220 Parts Manual

- Fact-Checking eBook Content of Howard Rotavator 220 Parts Manual
 - Distinguishing Credible Sources
13. Promoting Lifelong Learning
- Utilizing eBooks for Skill Development
 - Exploring Educational eBooks
14. Embracing eBook Trends
- Integration of Multimedia Elements
 - Interactive and Gamified eBooks

Howard Rotavator 220 Parts Manual Introduction

Howard Rotavator 220 Parts Manual Offers over 60,000 free eBooks, including many classics that are in the public domain. Open Library: Provides access to over 1 million free eBooks, including classic literature and contemporary works. Howard Rotavator 220 Parts Manual Offers a vast collection of books, some of which are available for free as PDF downloads, particularly older books in the public domain. Howard Rotavator 220 Parts Manual : This website hosts a vast collection of scientific articles, books, and textbooks. While it operates in a legal gray area due to copyright issues, its a popular resource for finding various publications. Internet Archive for Howard Rotavator 220 Parts Manual : Has an extensive collection of digital content, including books, articles, videos, and more. It has a massive library of free downloadable books. Free-eBooks Howard Rotavator 220 Parts Manual Offers a diverse range of free eBooks across various genres. Howard Rotavator 220 Parts Manual Focuses mainly on educational books, textbooks, and business books. It offers free PDF downloads for educational purposes. Howard Rotavator 220 Parts Manual Provides a large selection of free eBooks in different genres, which are available for download in various formats, including PDF. Finding specific Howard Rotavator 220 Parts Manual, especially related to Howard Rotavator 220 Parts Manual, might be challenging as theyre often artistic creations rather than practical blueprints. However, you can explore the following steps to search for or create your own Online Searches: Look for websites, forums, or blogs dedicated to Howard Rotavator 220 Parts Manual, Sometimes enthusiasts share their designs or concepts in PDF format. Books and Magazines Some Howard Rotavator 220 Parts Manual books or magazines might include. Look for these in online stores or libraries. Remember that while Howard Rotavator 220 Parts Manual, sharing copyrighted material without permission is not legal. Always ensure youre either creating your own or obtaining them from legitimate sources that allow sharing and downloading. Library Check if your local library offers eBook lending services. Many libraries have digital catalogs where you can borrow Howard Rotavator 220 Parts Manual eBooks for free, including popular titles. Online Retailers: Websites like Amazon, Google Books, or Apple Books often sell eBooks. Sometimes, authors or

publishers offer promotions or free periods for certain books. Authors Website Occasionally, authors provide excerpts or short stories for free on their websites. While this might not be the Howard Rotavator 220 Parts Manual full book, it can give you a taste of the authors writing style. Subscription Services Platforms like Kindle Unlimited or Scribd offer subscription-based access to a wide range of Howard Rotavator 220 Parts Manual eBooks, including some popular titles.

FAQs About Howard Rotavator 220 Parts Manual Books

How do I know which eBook platform is the best for me? Finding the best eBook platform depends on your reading preferences and device compatibility. Research different platforms, read user reviews, and explore their features before making a choice. Are free eBooks of good quality? Yes, many reputable platforms offer high-quality free eBooks, including classics and public domain works. However, make sure to verify the source to ensure the eBook credibility. Can I read eBooks without an eReader? Absolutely! Most eBook platforms offer web-based readers or mobile apps that allow you to read eBooks on your computer, tablet, or smartphone. How do I avoid digital eye strain while reading eBooks? To prevent digital eye strain, take regular breaks, adjust the font size and background color, and ensure proper lighting while reading eBooks. What the advantage of interactive eBooks? Interactive eBooks incorporate multimedia elements, quizzes, and activities, enhancing the reader engagement and providing a more immersive learning experience. Howard Rotavator 220 Parts Manual is one of the best book in our library for free trial. We provide copy of Howard Rotavator 220 Parts Manual in digital format, so the resources that you find are reliable. There are also many Ebooks of related with Howard Rotavator 220 Parts Manual. Where to download Howard Rotavator 220 Parts Manual online for free? Are you looking for Howard Rotavator 220 Parts Manual PDF? This is definitely going to save you time and cash in something you should think about.

Find Howard Rotavator 220 Parts Manual :

global business today postscript 2002;pb;2002 2nd ed

glas and excel templates cd-rom for use with financial accounting

[give and take silhouette desire 381](#)

[giving voters a voice the origins of the initiative and referendum in america](#)

glass circle

~~give me a kib ring the bell open the door and see what happens~~

glencoe science level green chapter resources the nonliving environment chapter 13

girls to the rescue 2 girls to the rescue 2

gitanjali offerings of song and art

glass craft designing forming creative crafts ser

glaznoi ishemicheskii sindrom

giuliano mauri

glancing blows life and language in australia

glencoe french 2 bon voyage teacher wraparound edition

glenn and sallie

Howard Rotavator 220 Parts Manual :

the ultimate physical therapy superbill template - Aug 06 2023

web free customizable physical therapy superbill template learn how to use superbills when to give your patients a superbill and what should be included in your pt ot superbill

superbills encounter forms kareo - Dec 30 2022

web you can configure a custom superbill for each provider in your practice print superbills with prepopulated patient information from the appointment scheduler and use those superbills to document the charges for your patient visits by using forms customized to your unique needs you can save time while capturing all charges

what is a superbill and how do they work continuum - Jul 25 2022

web essentially a superbill is an itemized list of all services provided to a client the superbill will also contain additional information about the patient visit including practice information cpt codes icd 10 codes referring doctors and more we ll cover these components in the following sections

superbill 2008 2023 form fill out and sign printable pdf template - Jun 04 2023

web superbill template get your fillable template and complete it online using the instructions provided create professional documents with signnow

printable superbill free printable medical forms - Apr 02 2023

web you ll be able to download the customizable medical form within moments see the differences between the free and paid versions this printable superbill functions as a catch all for all medical procedures and provides codes and fees for insurance companies free to download and print

medical superbill templates 2023 free download - Apr 21 2022

web superbill templates download free superbill templates with the latest 2023 cpt codes for family medicine childcare

gynecology and more our user friendly customizable templates are editable and printable helping you save time

superbill template excel fill online printable fillable blank - Jun 23 2022

web you may quickly make your esignature using pdffiller and then esign your orthopedic superbill template right from your mailbox using pdffiller s gmail add on please keep in mind that in order to preserve your signatures and signed papers you must first create an

superbill template fill out sign online dochub - Nov 28 2022

web 01 edit your editable superbill template online type text add images blackout confidential details add comments highlights and more 02 sign it in a few clicks draw your signature type it upload its image or use your mobile device as a signature pad 03 share your form with others send superbill template word via email link or fax

surgical templates for orthopedic operative reports pubmed - Mar 21 2022

web this article describes an easy method by which a physician can create a template that can be customized to allow discussion of unique features of a given case forms and records control organization administration orthopedic procedures

free printable superbill template pdf sheets excel - Oct 08 2023

web provide your patients with a superbill detailing their healthcare expenses download our free printable superbill template now

orthopedic superbill template - Sep 26 2022

web 2 orthopedic superbill template 2021 11 12 and the limitations of these minimally invasive and promising treatments the first section is devoted to the formulations and rationale for the use of injectable orthobiologics while the second section reviews current treatment methods applied to specific joints and pathologies ranging from

superbill template pdf templates jotform - May 03 2023

web mar 25 1998 a superbill template is a standardized document that healthcare providers use to record details of patient visits and services rendered for the purpose of billing insurance companies with a free superbill template from jotform you can outline details like the patient s name date of service diagnosis codes procedure codes and charges

superbill template 20 templates for various health care services - Oct 28 2022

web you are at thr right place if you are looking for professional superbill templates yes we have come up with 27 awesome superbill templates that are completely free to download and print you can create your own templates using our samples and examples

10 best free printable medical superbills pdf for free at printablee - Aug 26 2022

web may 6 2021 even if you have medical superbills templates if you are not a doctor or someone authorized to fill in them the template is useless and will only be an archive on your computer article written by adelina m k last updated on may 06

2021 and edited by printablee team

superbill template fill out printable pdf forms online - May 23 2022

web need a correct superbill template formspal provides only latest official forms prepare your superbill template and obtain access to numerous templates and forms now

49 superbill templates family practice physical therapy - Sep 07 2023

web may 14 2017 superbill templates download superbill template 02 82 50 kb download superbill template 03 40 00 kb download superbill template 04 69 00 kb download superbill template 05 38 50 kb download superbill template 06 40 50 kb download superbill template 07 43 00 kb download superbill

orthopedic ehr wrs health surgical scheduling software - Mar 01 2023

web orthopedic templates and charting wrs health orthopedic ehr comes pre loaded with notes and templates specifically designed for orthopedist content organization and workflow enables you to seamlessly chart initial visits follow up visits and other encounters

please return this form to receptionist centers - Jan 31 2023

web this sample superbill was converted to icd 10 cm by the american health information management association ahima solely as an exercise in demonstrating the process of transitioning to a new coding system it does not represent an endorsement by ahima of the use of superbills or this particular superbill format

superbill template example free pdf download carepatron - Jul 05 2023

web superbill template for those practices without superbill automation software or those who complete superbills manually this superbill template can help ensure you include all the necessary information and reduce the chances of insurance claim rejections

orthopedic superbill template pdf devy ortax org - Feb 17 2022

web surena namdari 2014 10 21 quickly reference the answers you need to the most important clinical questions in orthopedics with orthopedic secrets fully updated throughout this classic medical reference book covers the entire range of essential topics in orthopedics organized by subspecialty for rapid access to the

critical care for infants and children american academy of - Aug 02 2022

web a set of updated recommendations on critical care for infants and children including criteria for admission and discharge and levels of care in the pediatric intensive care

a history of pediatric critical care medicine pediatric - Dec 06 2022

web nov 1 2005 in 1992 john downes identified five crucial fields of medicine in the 1950s that led to the emergence of pediatric critical care adult respiratory intensive care

pediatric critical care board review 2005 download only - Jul 13 2023

web pediatric critical care board review 2005 tumor board review second edition nov 01 2022 praise for the first edition as everyone in oncology fellowship training knows

may 2005 volume 6 issue 3 pediatric critical care medicine - May 11 2023

web may 9 2018 severity of illness and organ dysfunction scoring in children lacroix jacques coting jacques for the pediatric acute lung injury and sepsis investigators palisi

pediatric critical care medicine - Oct 04 2022

web pediatric critical care medicine 24 8 e403 e408 august 2023 below are recent articles related to covid 19 appearing in critical care medicine pediatric critical care

src 5 belgesi sınav bilgileri ulaştırma bakanlığı src 5 sınavları - Dec 26 2021

web src 5 belgesi genel müfredata göre 19 saat süren zorunlu eğitimini tamamlayıp eğitim sonunda ulaştırma denizcilik ve haberleşme bakanlığının yapacak olduğu sınavda

pediatric critical care medicine certification the - Jun 12 2023

web jan 6 2022 eligibility criteria for certification in pediatric critical care medicine the american board of pediatrics abp has established a procedure for certification in

pediatric critical care text and study guide - Nov 05 2022

web this extensively updated textbook is a comprehensive study guide that covers pediatric critical care principles and specific disease entities commonly encountered by the

pediatric critical care medicine content outline abp - Aug 14 2023

web pediatric critical care medicine content domains 1 normal organ system development and function anatomy and physiology pharmacology and pharmacokinetics 2

pediatric critical care medicine journal sccm - Jul 01 2022

web pediatric critical care medicine pccm is the first scientific peer reviewed journal to focus exclusively on pediatric critical care and critical care neonatology launched in

5 sınıf türkçe konuları ve müfredatı meb 2024 2025 - Nov 24 2021

web aug 3 2021 sınıf türkçe dersinde işlenecek konular iki dönem halinde aşağıda paylaşıldı 2024 ve 2025 5 sınıf türkçe konuları ve müfredatı şu şekildedir 5 sınıf türkçe konuları

january 2005 volume 6 issue 1 pediatric critical care - Apr 10 2023

web pediatric critical care medicine society of critical care medicine subscribe to the pediatric critical care medicine journal written for the entire critical care team and for

[5 sınıf türkçe bep çalışma kağıdı sorubak](#) - Oct 24 2021

web 5 sınıf türkçe bep çalışma kağıdı dosyası 31 ekim 2018 Çarşamba günü İlköğretim 5 kategorisinin sınavlar alt kategorisine eklendi benzer dosyaları sınavlar bölümümüzde

[pediatric critical care board review 2005 pdf](#) - Mar 29 2022

web pediatric critical care board review 2005 pediatric critical care medicine pediatric critical care study guide fuhrman zimmerman s pediatric critical care e book

special articles a history of pediatric critical care medicine - Apr 29 2022

web pediatric research vol 58 no 5 2005 a sub board in critical care hensive pediatric critical care textbook in 1987 textbook of

cevap anahtarı meb Ölçme değerlendirme ve sınav hizmetleri - Sep 03 2022

web b g 1 1t g s orular meb 2019 2020 Ölçme değerlendirme ve sınav hizmetleri genel müdürlüğü 6ÖqÖi türkçe cevap anahtarı 1 tema 1 d 2 d 3 a 4

editorial board pediatric critical care medicine lww - Jan 27 2022

web pediatric critical care medicine society of critical care medicinesubscribe to the pediatric critical care medicine journal written for the entire critical care team and for

current issue pediatric critical care medicine lww - May 31 2022

web pediatric critical care medicine society of critical care medicine subscribe to the pediatric critical care medicine journal written for the entire critical care team and for

[critical care review pediatric resources sccm](#) - Feb 08 2023

web advanced knowledge assessment in pediatric critical care 15 hours of ce ace and moc expires december 31 2024 professional price 1 770 00 self assessment in

a history of pediatric critical care medicine pubmed - Jan 07 2023

web we review here the evolution of modern pediatric critical care medicine from its roots in general pediatric and cardiac surgery adult respiratory care medicine neonatology and

september 2005 volume 6 issue 5 pediatric critical care - Mar 09 2023

web pediatric critical care medicine 6 5 523 530 september 2005 abstract favorites pdf get content permissions buy table of contents outline back to top feature

pediatric critical care medicine scimago journal country rank - Feb 25 2022

web pediatric critical care medicine is written for the entire critical care team pediatricians neonatologists respiratory therapists nurses and others who deal with pediatric

hes my secret agent bodyguard pdf uniport edu - Jan 07 2023

web apr 12 2023 hes my secret agent bodyguard 2 14 downloaded from uniport edu ng on april 12 2023 by guest bolton formerly a special forces soldier chuck now poses as a

hes my secret agent bodyguard uniport edu - Oct 04 2022

web jun 17 2023 hes my secret agent bodyguard pdf recognizing the pretension ways to get this book hes my secret agent bodyguard pdf is additionally useful you have

online library hes my secret agent bodyguard free download - Feb 08 2023

web may 22 2023 already have a secret history then agent luca santos a grizzled secret service agent with experience in his eyes is assigned to my detail now it s one big

hes my secret agent bodyguard pdf uniport edu - Mar 09 2023

web he s my secret agent bodyguard the bodyguard contract secret agents my bodyguard bodyguard recruit book 1 not on his watch tempted by the

he s my secret agent bodyguard the camp 5 goodreads - Aug 14 2023

web jan 1 2018 he s my secret agent bodyguard msbutterfly 4 71 14 ratings1 review the climax of the story i wasn t the princess i was the villain who stole her happiness i m

the camp he s my secret agent bodyguard book 5 wattpad - Jun 12 2023

web read stories about the camp he s my secret agent bodyguard book 5 on wattpad recommended by ynahopelario

hes my secret agent bodyguard copy uniport edu - Sep 22 2021

hesmysecretagentbodyguard 2022 enova baliq - Jan 27 2022

web hesmysecretagentbodyguard 1 hesmysecretagentbodyguard hesmysecretagentbodyguard downloaded from status arrayfire com by guest

the camp he s my secret agent bodyguard book 5 - Apr 10 2023

web aug 31 2023 hes my secret agent bodyguard 2 10 downloaded from uniport edu ng on august 31 2023 by guest the darkest temptation danielle lori 2020 12 13 a fortune

hesmysecretagentbodyguard copy status arrayfire - Dec 26 2021

web hes my secret agent bodyguard writingcenter coas howard subsequent to this one merely said the hes my secret agent final turn gaming clifton nj facebook final turn

the camp he s my secret agent bodyguard book 5 wattpad - Jul 13 2023

web apr 22 2013 the camp he s my secret agent bodyguard chapter 1 queen of sarcasm chapter 2 disney chapter 3 wheel of

fate chapter 4 let

hesmysecretagentbodyguard 2023 - Nov 24 2021

web mar 23 2023 agent bodyguard as one of the most dynamic sellers here will unquestionably be accompanied by the best options to review the ultimate collection of

hes my secret agent bodyguard pdf full pdf pakhisharma - Aug 02 2022

web hes my secret agent bodyguard downloaded from design shadowera com by guest randolph brooklyn safekeeping zebra books one of popsugar s top summer

the camp he s my secret agent bodyguard wattpad - May 11 2023

web the camp he s my secret agent bodyguard chapter 1 queen of sarcasm chapter 2 disney

hes my secret agent bodyguard 2022 design shadowera - Jul 01 2022

web hesmysecretagentbodyguard 1 hesmysecretagentbodyguard eventually you will extremely discover a new experience and exploit by spending more cash still when

hes my secret agent bodyguard sharjahsports gov - Feb 25 2022

web hesmysecretagentbodyguard 1 hesmysecretagentbodyguard hesmysecretagentbodyguard downloaded from enova baliq com by guest costa

hes my secret agent bodyguard pdf copy - Sep 03 2022

web hes my secret agent bodyguard pdf unveiling the energy of verbal beauty an emotional sojourn through hes my secret agent bodyguard pdf in a global inundated

he s my bodyguard song and lyrics by the bodyguard the - Nov 05 2022

web jun 7 2023 hes my secret agent bodyguard but end stirring in harmful downloads rather than enjoying a good book when a mug of coffee in the afternoon otherwise they

hes my secret agent bodyguard jetpack theaoi - Apr 29 2022

web quickly download this hes my secret agent bodyguard after getting deal so bearing in mind you require the books swiftly you can straight acquire it its consequently utterly

hes my secret agent bodyguard app piphany com - Mar 29 2022

web jun 5 2023 if you attempt to obtain and deploy the hes my secret agent bodyguard it is completely plain then at present we extend the associate to buy and create bargains to

hesmysecretagentbodyguard download only - May 31 2022

web hes my secret agent bodyguard a mother screamed out he s coming in my room to a 911 operator after barricading herself and her teenage son in the closet when an intruder

hes my secret agent bodyguard pdf uniport edu - Oct 24 2021

web apr 29 2023 them is this hes my secret agent bodyguard that can be your partner the royals next door karina halle
2021 08 31 one of popsugar s top summer reads of

hes my secret agent bodyguard pdf uniport edu - Dec 06 2022

web the bodyguard the musical orchestra song 2015 the bodyguard the musical orchestra song 2015 listen to he s my
bodyguard on spotify the bodyguard the