

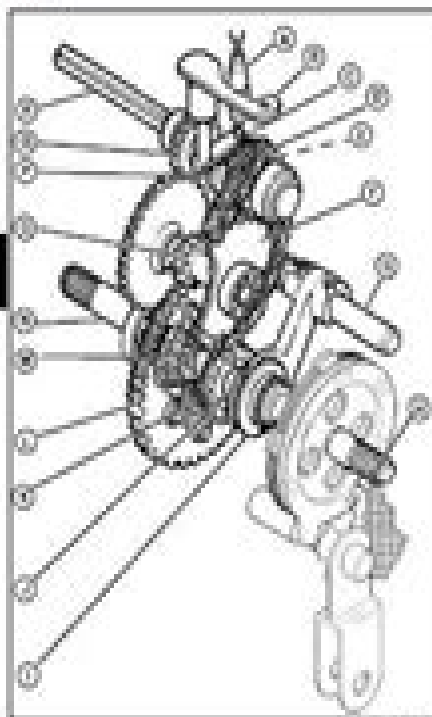
**Transaxle Component Location and Operation**

**Function:**

The transaxle provides:

- shifting into forward, neutral and reverse.
- differential action between axles for turning.
- differential lock, locking axles together for better traction.

**Neutral:**



In neutral the shift fork (4) centers the shift collar (5) between the forward drive gear (2), and reverse drive sprocket (3), so they are not engaged. The input shaft (1) rotates freely but transferring power to the gear on the reduction shaft (12). The shift fork (4) also depresses the neutral start switch (13) only allowing the engine to be started when the transaxle is in neutral.

**Forward Power Flow:**

When shifted into the forward position, the shift collar (5) engages the forward drive gear (2). Power is transmitted through the reduction shaft (12) that is in constant mesh with the differential gear (14). The differential gear (14) and assembly rotate, transferring power through the pinion (15) and side gears (16) to the output shafts (10 and 11).

**Reverse Power Flow:**

When shifted into reverse, the shift collar (5) engages the reverse drive sprocket (3), that transmits power through the reverse drive chain (17) to the reduction shaft (12). The chain drives the reduction shaft in the opposite direction of the forward gear (2), rotating the differential gear (14) in the reverse direction. Power is then transferred through the pinion (15) and side gears (16) to the output shafts (10 and 11).

**Differential Lock:**

When the differential lock (8) is engaged, the differential lock collar (8) and pins (9) are pushed in, locking the side gears (16) to the differential housing. Power then flows equally out of both output shafts (10 and 11).

**Diagnostics**

**Diagnostic Check Points**

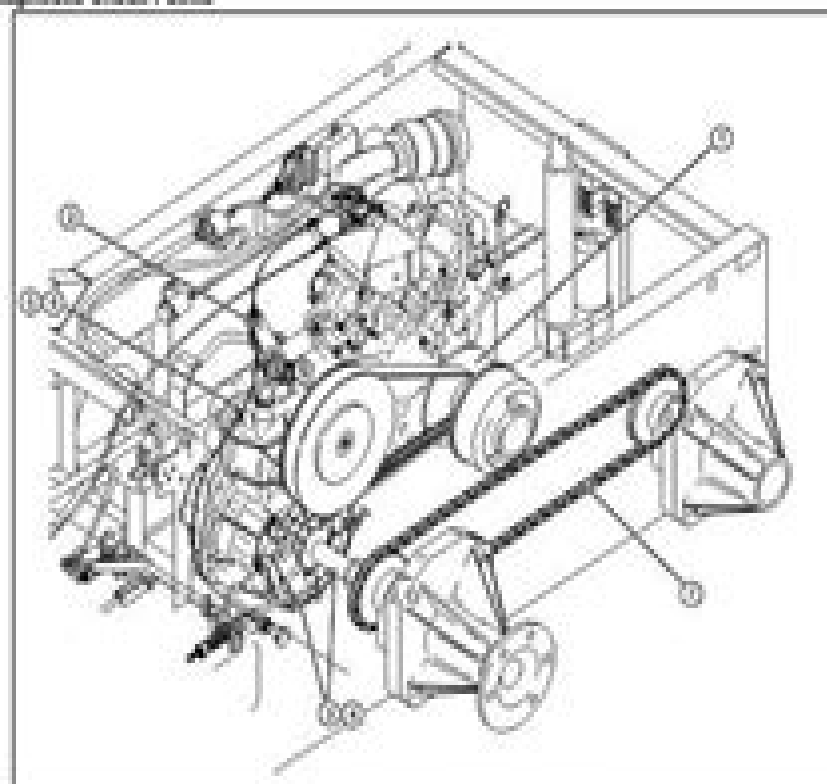


Figure 1 System: Drive Train

**Tire Conditions:**

- Single tire
- Rear wheels supported off floor
- Air pressure equal in all driving tires, as driving tires close to same radius.

**System: Drive Train**

(1) Drive belt is in good condition, minimum belt width 27 mm (1-1/8 in.)?

- Yes - Go to next step.
- No - Replace drive belt.

(2) Shift linkage shifts in to forward, neutral and reverse and stays in gear during operation?

- Yes - Go to next step.
- No - Adjust shift linkage.

(3) Axles rotate smoothly and quietly, no free play in axles, bearings or housings?

- Yes - Go to next step.
- No - Check axles and housings. Check axle-couplers.

(4) Brakes not dragging?

- Yes - Go to next step.
- No - Adjust brakes.

# Gator 4x2 Service Manual

**D Kirk**



## **Gator 4x2 Service Manual:**

Right here, we have countless book **Gator 4x2 Service Manual** and collections to check out. We additionally pay for variant types and as a consequence type of the books to browse. The agreeable book, fiction, history, novel, scientific research, as well as various further sorts of books are readily easy to get to here.

As this Gator 4x2 Service Manual, it ends going on instinctive one of the favored ebook Gator 4x2 Service Manual collections that we have. This is why you remain in the best website to look the amazing books to have.

[https://staging.conocer.cide.edu/About/Resources/Download\\_PDFS/learning\\_policy.pdf](https://staging.conocer.cide.edu/About/Resources/Download_PDFS/learning_policy.pdf)

## **Table of Contents Gator 4x2 Service Manual**

1. Understanding the eBook Gator 4x2 Service Manual
  - The Rise of Digital Reading Gator 4x2 Service Manual
  - Advantages of eBooks Over Traditional Books
2. Identifying Gator 4x2 Service Manual
  - Exploring Different Genres
  - Considering Fiction vs. Non-Fiction
  - Determining Your Reading Goals
3. Choosing the Right eBook Platform
  - Popular eBook Platforms
  - Features to Look for in an Gator 4x2 Service Manual
  - User-Friendly Interface
4. Exploring eBook Recommendations from Gator 4x2 Service Manual
  - Personalized Recommendations
  - Gator 4x2 Service Manual User Reviews and Ratings
  - Gator 4x2 Service Manual and Bestseller Lists
5. Accessing Gator 4x2 Service Manual Free and Paid eBooks
  - Gator 4x2 Service Manual Public Domain eBooks

- Gator 4x2 Service Manual eBook Subscription Services
- Gator 4x2 Service Manual Budget-Friendly Options
- 6. Navigating Gator 4x2 Service Manual eBook Formats
  - ePub, PDF, MOBI, and More
  - Gator 4x2 Service Manual Compatibility with Devices
  - Gator 4x2 Service Manual Enhanced eBook Features
- 7. Enhancing Your Reading Experience
  - Adjustable Fonts and Text Sizes of Gator 4x2 Service Manual
  - Highlighting and Note-Taking Gator 4x2 Service Manual
  - Interactive Elements Gator 4x2 Service Manual
- 8. Staying Engaged with Gator 4x2 Service Manual
  - Joining Online Reading Communities
  - Participating in Virtual Book Clubs
  - Following Authors and Publishers Gator 4x2 Service Manual
- 9. Balancing eBooks and Physical Books Gator 4x2 Service Manual
  - Benefits of a Digital Library
  - Creating a Diverse Reading Collection Gator 4x2 Service Manual
- 10. Overcoming Reading Challenges
  - Dealing with Digital Eye Strain
  - Minimizing Distractions
  - Managing Screen Time
- 11. Cultivating a Reading Routine Gator 4x2 Service Manual
  - Setting Reading Goals Gator 4x2 Service Manual
  - Carving Out Dedicated Reading Time
- 12. Sourcing Reliable Information of Gator 4x2 Service Manual
  - Fact-Checking eBook Content of Gator 4x2 Service Manual
  - Distinguishing Credible Sources
- 13. Promoting Lifelong Learning
  - Utilizing eBooks for Skill Development
  - Exploring Educational eBooks

## 14. Embracing eBook Trends

- Integration of Multimedia Elements
- Interactive and Gamified eBooks

### **Gator 4x2 Service Manual Introduction**

In today's digital age, the availability of Gator 4x2 Service Manual books and manuals for download has revolutionized the way we access information. Gone are the days of physically flipping through pages and carrying heavy textbooks or manuals. With just a few clicks, we can now access a wealth of knowledge from the comfort of our own homes or on the go. This article will explore the advantages of Gator 4x2 Service Manual books and manuals for download, along with some popular platforms that offer these resources. One of the significant advantages of Gator 4x2 Service Manual books and manuals for download is the cost-saving aspect. Traditional books and manuals can be costly, especially if you need to purchase several of them for educational or professional purposes. By accessing Gator 4x2 Service Manual versions, you eliminate the need to spend money on physical copies. This not only saves you money but also reduces the environmental impact associated with book production and transportation. Furthermore, Gator 4x2 Service Manual books and manuals for download are incredibly convenient. With just a computer or smartphone and an internet connection, you can access a vast library of resources on any subject imaginable. Whether you're a student looking for textbooks, a professional seeking industry-specific manuals, or someone interested in self-improvement, these digital resources provide an efficient and accessible means of acquiring knowledge. Moreover, PDF books and manuals offer a range of benefits compared to other digital formats. PDF files are designed to retain their formatting regardless of the device used to open them. This ensures that the content appears exactly as intended by the author, with no loss of formatting or missing graphics. Additionally, PDF files can be easily annotated, bookmarked, and searched for specific terms, making them highly practical for studying or referencing. When it comes to accessing Gator 4x2 Service Manual books and manuals, several platforms offer an extensive collection of resources. One such platform is Project Gutenberg, a nonprofit organization that provides over 60,000 free eBooks. These books are primarily in the public domain, meaning they can be freely distributed and downloaded. Project Gutenberg offers a wide range of classic literature, making it an excellent resource for literature enthusiasts. Another popular platform for Gator 4x2 Service Manual books and manuals is Open Library. Open Library is an initiative of the Internet Archive, a non-profit organization dedicated to digitizing cultural artifacts and making them accessible to the public. Open Library hosts millions of books, including both public domain works and contemporary titles. It also allows users to borrow digital copies of certain books for a limited period, similar to a library lending system. Additionally, many universities and educational institutions have their own digital libraries that provide free access to PDF books and manuals. These libraries often offer academic

texts, research papers, and technical manuals, making them invaluable resources for students and researchers. Some notable examples include MIT OpenCourseWare, which offers free access to course materials from the Massachusetts Institute of Technology, and the Digital Public Library of America, which provides a vast collection of digitized books and historical documents. In conclusion, Gator 4x2 Service Manual books and manuals for download have transformed the way we access information. They provide a cost-effective and convenient means of acquiring knowledge, offering the ability to access a vast library of resources at our fingertips. With platforms like Project Gutenberg, Open Library, and various digital libraries offered by educational institutions, we have access to an ever-expanding collection of books and manuals. Whether for educational, professional, or personal purposes, these digital resources serve as valuable tools for continuous learning and self-improvement. So why not take advantage of the vast world of Gator 4x2 Service Manual books and manuals for download and embark on your journey of knowledge?

### **FAQs About Gator 4x2 Service Manual Books**

How do I know which eBook platform is the best for me? Finding the best eBook platform depends on your reading preferences and device compatibility. Research different platforms, read user reviews, and explore their features before making a choice. Are free eBooks of good quality? Yes, many reputable platforms offer high-quality free eBooks, including classics and public domain works. However, make sure to verify the source to ensure the eBook credibility. Can I read eBooks without an eReader? Absolutely! Most eBook platforms offer web-based readers or mobile apps that allow you to read eBooks on your computer, tablet, or smartphone. How do I avoid digital eye strain while reading eBooks? To prevent digital eye strain, take regular breaks, adjust the font size and background color, and ensure proper lighting while reading eBooks. What the advantage of interactive eBooks? Interactive eBooks incorporate multimedia elements, quizzes, and activities, enhancing the reader engagement and providing a more immersive learning experience. Gator 4x2 Service Manual is one of the best book in our library for free trial. We provide copy of Gator 4x2 Service Manual in digital format, so the resources that you find are reliable. There are also many Ebooks of related with Gator 4x2 Service Manual. Where to download Gator 4x2 Service Manual online for free? Are you looking for Gator 4x2 Service Manual PDF? This is definitely going to save you time and cash in something you should think about.

### **Find Gator 4x2 Service Manual :**

learning policy

~~learning english english tutor~~

~~lectionary worship aids cycle c series ii for use with the common lictionary~~

### **learning to learn**

~~lectin histochemistry~~

~~leaving cecil street~~

~~leaves from the notebook of a tamed cynic~~

~~leave of absence~~

~~leather rogues~~

~~learning through literature native americans~~

~~learning styles questionnaire facilitation guide~~

~~learning through games a new approach to problem solving.~~

### **lectures on philosohical theology.**

~~learning to flatpick~~

~~leaves of grass 1850-1881~~

### **Gator 4x2 Service Manual :**

ebook mes homicides un procureur face au crime jacques - Nov 29 2022

web découvrez et achetez mes homicides un procureur face au crime jacques dallest robert laffont sur librairielespetitsmots fr

**mes homicides un procureur face au crime jacques dallest** - Feb 18 2022

web affiner le résultat de recherche avec le type de document livre afficher tous les documents ayant la date d édition commele document mes homicides un procureur face au crime jacques dallest 2015 nombre d avis des professionnels sur le document mes homicides 1 avis pro note moyenne des avis des professionnels sur le document mes homicides

mes homicides un procureur face au crime fnac - Apr 03 2023

web apr 16 2015 tout supprimer un procureur face au crime mes homicides un procureur face au crime jacques dallest robert laffont des milliers de livres avec la livraison chez vous en 1 jour ou en magasin avec 5 de réduction ou téléchargez la version ebook

calaméo mes homicides - Jun 05 2023

web mes homicides jacques dallest robert laffont un procureur face au crime mes homicides du me^me auteur jean pradel et jacques dallest sous la direction de la criminalité organisée lexisnexis 2012



**jacques dallest sa biographie son actualité ses livres lisez** - May 04 2023

web mes homicides jacques dallest toute ma vie je me suis intéressé au meurtre j y ai trouvé mille exemples de ce dont l homme est capable un monde de ténèbres où je me suis égaré avec ma faible lanterne j d le procureur jacques dallest nous invite à un fascinant voyage au pays du crime

mes homicides un procureur face au crime poche decitre - Sep 27 2022

web may 19 2016 après avoir débuté en 1984 comme juge d instruction il est aujourd hui procureur général à chambéry dans sa région d origine il évoque les crimes de sang qu il a connus au cours de sa carrière dans mes homicides un

homicide unit istanbul tv series 2008 imdb - Dec 31 2022

web homicide unit istanbul with erol sander oscar ortega sánchez idil Üner erden alkan istanbul police commissioner mehmet Özakin is in charge of serious crime mainly murder investigations mostly in the turkish metropolis a very modern turk he uses up to date western methods without prejudice assisted by bachelor mustafa tombul even his

amazon fr mes homicides dallest jacques livres - Oct 29 2022

web l ancien procureur de marseille avait une matière en or pour faire un excellent livre la tragédie des homicides dans la cité phocéenne malheureusement sans doute le défaut d un premier livre il se borne à la description successive des scènes de crime sans réflexion ni analyse

mes homicides ebook dallest jacques amazon fr boutique - Mar 22 2022

web j d le procureur jacques dallest nous invite à un fascinant voyage au pays du crime ce magistrat de terrain revisite trente années de tragédies sanglantes et nous montre les

**mes homicides un procureur face au crime google play** - Aug 27 2022

web mes homicides un procureur face au crime ebook written by jacques dallest read this book using google play books app on your pc android ios devices download for offline reading highlight bookmark or take notes while you

**mes homicides poche jacques dallest achat livre fnac** - Oct 09 2023

web may 19 2016 le procureur jacques dallest nous invite à un fascinant voyage au pays du crime il revisite trente années de tragédies sanglantes et nous montre les assassinats dans leur diversité et leur complexité dans leur épaisseur sordide aussi

**mes homicides jacques dallest babelio** - Aug 07 2023

web apr 16 2015 résumé le procureur jacques dallest nous invite à un fascinant voyage au pays du crime il revisite trente années de tragédies sanglantes et nous montre les assassinats dans leur diversité et leur complexité dans leur épaisseur sordide aussi

**mescid i aksâ yı kim yaptırmıştır süleyman ateş gazete vatan** - Apr 22 2022

web sep 11 2004 mescid i aksâ denilen Ömer mescidi nin aslını Hz Süleyman yaptırmıştır ama bu mabedin adı elbette mescid i aksâ değildi Çünkü mescit kelimesi arapça olup secde edilecek yer demektir

**mes homicides jacques dallest bookys ebooks** - Sep 08 2023

web mar 27 2021 mes homicides jacques dallest catégorie biographie historique vues 1343 date d ajout 27 03 2021 09 26 le procureur j dallest analyse les crimes qu il a jugés principalement en corse et à marseille dans leur diversité et leur complexité

mes homicides un procureur face au crime jacques dallest - May 24 2022

web ajouter à mes préférences bibliothèque georges brassens 401 rue du pré de l ane bp 11105 73011 chambéry téléphoner à la bibliothèque bibliothèque georges brassens 04 79 72 25 81 envoyer un e mail à la bibliothèque bibliothèque georges

**yedi mescidler mesâcid İ seb a neredede ve İsimleri İslam ve İhsan** - Jul 26 2022

web oct 16 2020 Ömer b abdülazîz medine valiliği sırasında mescidi eski planına uygun biçimde yeniden yaptırmıştır eyyûbîler döneminde 1179 da ve osmanlılar döneminde 1853 54 te sultan abdülmeccid tarafından yeniden yaptırılan mescid i feth yaklaşık 8 5 m boyunda 3 5 m genişliğinde ve 4 5 m yüksekliğindedir mescide çıkmak

İsrail polisi mescid i aksa da filistinlilere müdahale etti bbc - Mar 02 2023

web may 20 2021 İsrail ve hamas 10 mayıs ta karşılıklı saldırılara doğu kudüs te bazı filistinlilerin evlerinden çıkarılması ve İsrail polisinin yine mescid i aksa da filistinlilere müdahale

**mes homicides french edition by jacques dallest goodreads** - Jul 06 2023

web apr 16 2015 read reviews from the world s largest community for readers toute ma vie je me suis intéressé au meurtre j y ai trouvé mille exemples de ce dont l hom

mesâcid i seb a tdtv İslâm ansiklopedisi - Feb 01 2023

web ebû tâlib selmân ı fârisî mescidi nin güneydoğusunda inşa edilmiş olan mescid 577 1181 yılında seyfeddin hüseyin b ebü l heycâ tarafından sultan kayıtbay döneminde 876 da 1471 72 medine emîri zeynüddin daygam b haşrem el mansûrî tarafından yenilenmiştir 902 de 1497 bir tamirat görmüş sultan

mes homicides un procureur face au crime librairie eyrolles - Jun 24 2022

web le procureur jacques dallest nous invite à un fascinant voyage au pays du crime ce magistrat de terrain revisite trente années de tragédies sanglantes et nous montre les assassinats dans leur diversité et leur complexité dans leur

micronesia s endangered cycad inspires uog alumni toward uog edu - Feb 11 2022

web oct 30 2023 four university of guam alumni from recent years have found a common and critical purpose in their lines of work after graduation the conservation of guam s once most common but now endangered plant cycas micronesica known in chamoru as fadang as biology agriculture and environmental science students at uog s college of

**macadamia university of guam copy** - May 29 2023

web macadamia university of guam marc a newsletter of the micronesia area research center may 13 2021 micronesia studies jun 25 2022 guam scenic route mar 23 2022 miscellaneous publications may 25 2022 contributions of the university of guam marine laboratory 1968 1972 volume 1 aug 16 2021 a retrospective of the

**macadamia university of guam secure4 khronos** - Nov 22 2022

web jun 26 2023 macadamia university of guam with 10 campuses and educational training and research centers across the hawaiian islands the uh system is leading the way to a diverse sustainable future

*macadamia university of guam prospectus camre ac* - Feb 23 2023

web university of guam what you like to read in particular situations you similarly achieve not reveal the journal macadamia university of guam that you are looking for macadamia university of guam is available in our literature compilation an online access to it is set as public so you can get it swiftly

**macadamia an overview sciencedirect topics** - Aug 20 2022

web abstract macadamia is a rainforest tree indigenous to australia that is grown commercially for its edible nuts this chapter discusses quality and the key preharvest and postharvest practices that impact on macadamia quality

*university of guam wikipedia* - Jul 31 2023

web university of guam chamorro unibetsedåt guåhan u o g is a public land grant university in mangilao guam it is accredited by the western association of schools and colleges and offers thirty four degree programs at the undergraduate level and eleven at

*macadamia university of guam ftp dartgo org* - Apr 15 2022

web macadamia university of guam downloaded from ftp dartgo org by guest virginia sherman biennial report par the constitution of empire offers a constitutional and historical survey of american territorial expansion from the founding era to the present day the authors describe the constitution s design

**macadamia university of guam uniport edu ng** - Sep 20 2022

web jun 16 2023 macadamia university of guam 2 9 downloaded from uniport edu ng on june 16 2023 by guest ethnographic assumptions about the meaning and importance of where we are and have been the essays presented here are about letting go learning and un learning transgressing physical emotional and intellectual boundaries

*degrees programs university of guam* - Oct 02 2023

web the university of guam offers degree programs within two colleges and three schools seven baccalaureate ba bba b a ed bbaa bs bsn and bsw and six master s ma m a t m ed mpa ms and pmba degrees are offered all listings include majors and minors unless otherwise specified

what are macadamia nuts the spruce eats - Jul 19 2022

web dec 21 2022 macadamia nuts are small round almost chickpea like nuts that have been an important part of the aboriginal diet in australia for thousands of years they have been called queensland nuts or australia nuts after they were discovered by the rest of the world in the late 19th century they became especially popular in pacific island cuisines

macadamia university of guam - Dec 24 2022

web macadamia nut co university of phoenix university of guam foundation this describes the tlc pr team board of directors center for tropical and subtropical april 16th 2018 the board of directors lee yudin has represented the university of guam as kukui nut oil products have made it into the cosmetics industry and macadamia nut caps 2005

guam umgc asia university of maryland global campus asia - Jan 25 2023

web may 6 2023 guam umgc asia commencement guam celebrate your achievement at the umgc commencement ceremony in guam welcome to the umgc asia 2023 commencement in guam may 6 2023 each year umgc asia celebrates the accomplishments of our graduates and graduate candidates with four commencement

*macadamia university of guam 2023* - Apr 27 2023

web university of guam vision twothousandtwentyfive jan 24 2022 university of guam jan 04 2023 prospectus 2001 and beyond apr 26 2022 a history of guam dec 03 2022 covers the lives and legends of the first people of guam and traces the island s development into present day illustrations glossary index rl4 contributions of the

*macadamia university of guam tpc redmatters com* - Mar 15 2022

web macadamia university of guam 3 3 populations if economic growth is part of the conservation effort local populations and governments will be more strongly motivated to save their natural resources distinctly practical and soundly informative this book provides insight into the overwhelming abundance of tropical forests an unsettling sense

**macadamia university of guam** - Jun 29 2023

web pests of macadamia not yet found in hawaii macadamia felted coccid fruitspotting bug banana spottingbug macadamia leafminer macadamia flower caterpillar macadamia twig girdler twospotted bug yellowspotted bug false codding moth macadamianut borer leafcutting ants appendixes heat driven phenology models sequential sampling

**macadamia description uses cultivation britannica** - Oct 22 2022

web oct 26 2023 macadamia genus of four species of evergreen trees of the family proteaceae known for their richly flavored edible seeds commonly known as macadamia nuts the seeds are often roasted and used by bakers and chocolatiers in confections and chocolates they are chiefly cultivated in australia and hawaii

**health benefits of macadamia nuts webmd** - May 17 2022

web sources agricultural marketing resource center macadamia nuts alimentary pharmacology therapeutics review article

prebiotics in the gastrointestinal tract asia pacific journal

[macadamia university of guam](#) - Mar 27 2023

web 2 macadamia university of guam 2023 07 25 technique finally the book includes methods for the analysis of seed and nut related compounds written for nutrition researchers nutritionists food scientists government regulators of food and students of agriculture oils and feeds nutrition and life sciences this book is sure to be a welcomed

**degrees programs university of guam** - Sep 01 2023

web certificates the university of guam offers degree programs within two colleges and three schools seven baccalaureate ba bba b a ed bbaa bs bsn and bsw and six master s ma m a t m ed mpa ms and pmba degrees are offered all listings include majors and minors unless otherwise specified

[macadamia definition meaning dictionary com](#) - Jun 17 2022

web macadamia definition any australian tree of the genus macadamia especially m ternifolia having whorled leaves and elongated clusters of pink flowers see more

**read unlimited books online fifty shades of grey here pdf book pdf** - Jun 20 2022

web read unlimited books online fifty shades of grey here pdf book pdf boo is at hand in our book compilation an online access to it is set as public so you can get it immediately this is likewise one of the aspects by gaining the digital records of this read

**pdf epub grey fifty shades as told by christian 1** - Sep 23 2022

web oct 15 2022 full book name grey fifty shades as told by christian 1 author name e l james book genre adult fiction romance isbn 9781101946343 edition language english date of publication 2015 6 18 pdf epub file name grey fifty shades as told by christian 1 el james pdf

[fifty shades of grey read online free without download pdf](#) - Sep 04 2023

web fifty shades of grey read free ebook by e l james in online reader directly on the web page select files or add your book in reader

[fifty shades of grey readanybook](#) - Feb 26 2023

web read book fifty shades of grey online free by author e l james online reading fifty shades of grey and summary reviews the book fifty shades of grey is the first in a set of three of suggestive books by e l james

[pdf fifty shades of grey download book online](#) - Apr 18 2022

web here on this page we have provided the latest download link for fifty shades of grey pdf please feel free to download it on your computer mobile for further reference you can go to eljamesauthor com fifty shades of grey the unbeatable storyline of this book to film adaptation was finally released back in 2015 on the 13th of february

[pdf mobi epub fifty shades trilogy fifty shades of grey fifty shades](#) - Mar 18 2022

web sep 17 2020 on her family and her career she finally plucked up the courage to put pen to paper with her first novel fifty shades of grey read more more documents recommendations info pdf download fifty shades trilogy fifty shades of grey fifty shades darker fifty shades freed ebook read online read free

**pdf epub fifty shades of grey fifty shades 1 download** - Aug 03 2023

web aug 14 2022 you can read this before fifty shades of grey fifty shades 1 pdf epub full download at the bottom when literature student anastasia steele goes to interview young entrepreneur christian grey she encounters a man who is beautiful brilliant and intimidating

**fifty shades 1 fifty shades of grey pdf pdf room** - Nov 25 2022

web fifty shades 1 fifty shades of grey free pdf download e l james 378 pages year 2012 fifty shades read online pdf room *read online fifty shades book series for free at readanybook* - Jan 28 2023

web fifty shades by e l james series 2 mb size download book read book fifty shades of gray is foreseeing an engrossing page turner a current relationship that figured out how to pull in to its books a large number of readers everywhere throughout the world

*fifty shades of gray pdf google drive* - Dec 27 2022

web view details request a review learn more

*e l james 01 fifty shades of grey pdf google drive* - Jun 01 2023

web sign in e l james 01 fifty shades of grey pdf google drive sign in

[fifty shades of grey pdf download read online](#) - May 20 2022

web jul 16 2014 let s immerse ourselves in this engaging uncategorizeed book by exploring the summary and details provided below remember fifty shades of grey true or false can be read online from any device for your convenience fifty shades of grey true or false book pdf summary take the sample quiz below true or false

**fifty shades of grey read online free by e l james novel12** - Oct 25 2022

web fifty shades of grey fifty shades 1 read online free from your computer or mobile fifty shades of grey fifty shades 1 is a romance novel by e l james

[fifty shades of grey james e l free download borrow and](#) - Jul 02 2023

web english 372 pages 23 cm when literature student anastasia steele is drafted to interview the successful young entrepreneur christian grey for her campus magazine she finds him attractive enigmatic and intimidating

*fifty shades trilogy 03 fifty shades freed pdf pdf room* - Mar 30 2023

web 2012 374 pages 2 43 mb english fifty shades 50 shades posted october 05 2022 submitted by xmorissette whatsapp buy

on amazon explore pdf download pdf convert to view on amazon read pdf online read online summary fifty shades trilogy 03  
fifty shades freed page 1

**50 shades of grey e l james free download pdf** - Oct 05 2023

web feb 23 2009 download 50 shades of grey free in pdf epub format download e l james s 50 shades of grey for your kindle  
tablet ipad pc or mobile

**read fifty shades series by e l james online for free** - Apr 30 2023

web fifty shades of grey fifty shades 1 by e l james billionaire romance fifty shades darker fifty shades 2 by e l james  
billionaire romance fifty shades freed fifty shades 3 by e l james billionaire romance grey fifty shades of grey as told by  
christian fifty shades 4 by e l james billionaire romance

*fifty shades of grey pdf scribd* - Aug 23 2022

web fifty shades of grey free download as text file txt pdf file pdf or read online for free rated 18

**read fifty shades of grey the free online novel** - Jul 22 2022

web genres horror when literature student anastasia steele goes to interview young entrepreneur christian grey she  
encounters a man who is beautiful brilliant and intimidating the unworldly innocent ana is startled to realize she wants this  
man and despite his enigmatic reserve finds she is desperate to get close to him

**read unlimited books online fifty shades of grey here pdf book pdf** - Feb 14 2022

web read unlimited books online fifty shades of grey here pdf book pdf book pdf pdf black ortax org created date 9 2 2023 4  
58 13 am