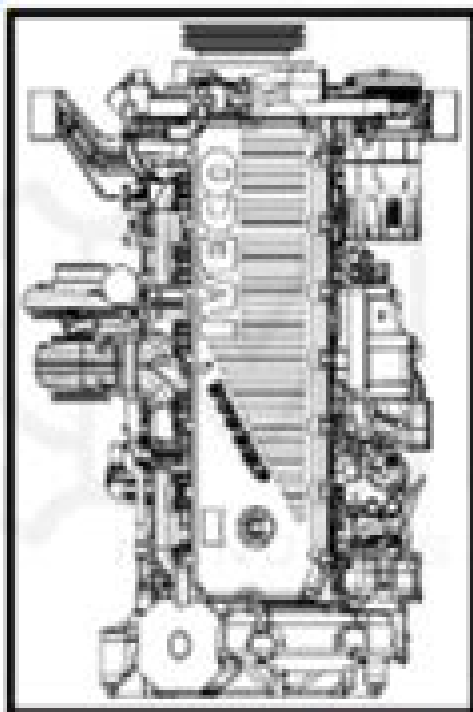


***IVECO***

***Cursor 9***



Technical Code

F2CE9684A\*E004

F2CE9684B\*E001

F2CE9684C\*E001

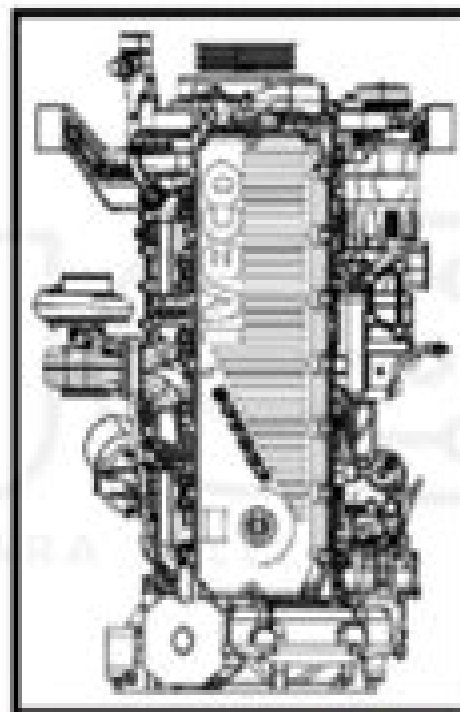
F2CE9684D\*E001

F2CE9684C\*E002

F2CE9684E\*E002

F2CE9684H\*E003

F2CE9684L\*E005



***Cursor Series C9***

# Ford Iveco Cursor Workshop Manual

**Wenbin Ji**



## **Ford Iveco Cursor Workshop Manual:**

Delve into the emotional tapestry woven by in Dive into the Emotion of **Ford Iveco Cursor Workshop Manual** . This ebook, available for download in a PDF format ( \*), is more than just words on a page; it's a journey of connection and profound emotion. Immerse yourself in narratives that tug at your heartstrings. Download now to experience the pulse of each page and let your emotions run wild.

<https://staging.conocer.cide.edu/book/scholarship/index.jsp/European%20Busineb%20Directory%201995.pdf>

## **Table of Contents Ford Iveco Cursor Workshop Manual**

1. Understanding the eBook Ford Iveco Cursor Workshop Manual
  - The Rise of Digital Reading Ford Iveco Cursor Workshop Manual
  - Advantages of eBooks Over Traditional Books
2. Identifying Ford Iveco Cursor Workshop Manual
  - Exploring Different Genres
  - Considering Fiction vs. Non-Fiction
  - Determining Your Reading Goals
3. Choosing the Right eBook Platform
  - Popular eBook Platforms
  - Features to Look for in an Ford Iveco Cursor Workshop Manual
  - User-Friendly Interface
4. Exploring eBook Recommendations from Ford Iveco Cursor Workshop Manual
  - Personalized Recommendations
  - Ford Iveco Cursor Workshop Manual User Reviews and Ratings
  - Ford Iveco Cursor Workshop Manual and Bestseller Lists
5. Accessing Ford Iveco Cursor Workshop Manual Free and Paid eBooks
  - Ford Iveco Cursor Workshop Manual Public Domain eBooks
  - Ford Iveco Cursor Workshop Manual eBook Subscription Services
  - Ford Iveco Cursor Workshop Manual Budget-Friendly Options

6. Navigating Ford Iveco Cursor Workshop Manual eBook Formats
  - ePub, PDF, MOBI, and More
  - Ford Iveco Cursor Workshop Manual Compatibility with Devices
  - Ford Iveco Cursor Workshop Manual Enhanced eBook Features
7. Enhancing Your Reading Experience
  - Adjustable Fonts and Text Sizes of Ford Iveco Cursor Workshop Manual
  - Highlighting and Note-Taking Ford Iveco Cursor Workshop Manual
  - Interactive Elements Ford Iveco Cursor Workshop Manual
8. Staying Engaged with Ford Iveco Cursor Workshop Manual
  - Joining Online Reading Communities
  - Participating in Virtual Book Clubs
  - Following Authors and Publishers Ford Iveco Cursor Workshop Manual
9. Balancing eBooks and Physical Books Ford Iveco Cursor Workshop Manual
  - Benefits of a Digital Library
  - Creating a Diverse Reading Collection Ford Iveco Cursor Workshop Manual
10. Overcoming Reading Challenges
  - Dealing with Digital Eye Strain
  - Minimizing Distractions
  - Managing Screen Time
11. Cultivating a Reading Routine Ford Iveco Cursor Workshop Manual
  - Setting Reading Goals Ford Iveco Cursor Workshop Manual
  - Carving Out Dedicated Reading Time
12. Sourcing Reliable Information of Ford Iveco Cursor Workshop Manual
  - Fact-Checking eBook Content of Ford Iveco Cursor Workshop Manual
  - Distinguishing Credible Sources
13. Promoting Lifelong Learning
  - Utilizing eBooks for Skill Development
  - Exploring Educational eBooks
14. Embracing eBook Trends
  - Integration of Multimedia Elements

- Interactive and Gamified eBooks

## **Ford Iveco Cursor Workshop Manual Introduction**

Free PDF Books and Manuals for Download: Unlocking Knowledge at Your Fingertips In today's fast-paced digital age, obtaining valuable knowledge has become easier than ever. Thanks to the internet, a vast array of books and manuals are now available for free download in PDF format. Whether you are a student, professional, or simply an avid reader, this treasure trove of downloadable resources offers a wealth of information, conveniently accessible anytime, anywhere. The advent of online libraries and platforms dedicated to sharing knowledge has revolutionized the way we consume information. No longer confined to physical libraries or bookstores, readers can now access an extensive collection of digital books and manuals with just a few clicks. These resources, available in PDF, Microsoft Word, and PowerPoint formats, cater to a wide range of interests, including literature, technology, science, history, and much more. One notable platform where you can explore and download free Ford Iveco Cursor Workshop Manual PDF books and manuals is the internet's largest free library. Hosted online, this catalog compiles a vast assortment of documents, making it a veritable goldmine of knowledge. With its easy-to-use website interface and customizable PDF generator, this platform offers a user-friendly experience, allowing individuals to effortlessly navigate and access the information they seek. The availability of free PDF books and manuals on this platform demonstrates its commitment to democratizing education and empowering individuals with the tools needed to succeed in their chosen fields. It allows anyone, regardless of their background or financial limitations, to expand their horizons and gain insights from experts in various disciplines. One of the most significant advantages of downloading PDF books and manuals lies in their portability. Unlike physical copies, digital books can be stored and carried on a single device, such as a tablet or smartphone, saving valuable space and weight. This convenience makes it possible for readers to have their entire library at their fingertips, whether they are commuting, traveling, or simply enjoying a lazy afternoon at home. Additionally, digital files are easily searchable, enabling readers to locate specific information within seconds. With a few keystrokes, users can search for keywords, topics, or phrases, making research and finding relevant information a breeze. This efficiency saves time and effort, streamlining the learning process and allowing individuals to focus on extracting the information they need. Furthermore, the availability of free PDF books and manuals fosters a culture of continuous learning. By removing financial barriers, more people can access educational resources and pursue lifelong learning, contributing to personal growth and professional development. This democratization of knowledge promotes intellectual curiosity and empowers individuals to become lifelong learners, promoting progress and innovation in various fields. It is worth noting that while accessing free Ford Iveco Cursor Workshop Manual PDF books and manuals is convenient and cost-effective, it is vital to respect copyright laws and intellectual property rights. Platforms offering free downloads often operate within legal

boundaries, ensuring that the materials they provide are either in the public domain or authorized for distribution. By adhering to copyright laws, users can enjoy the benefits of free access to knowledge while supporting the authors and publishers who make these resources available. In conclusion, the availability of Ford Iveco Cursor Workshop Manual free PDF books and manuals for download has revolutionized the way we access and consume knowledge. With just a few clicks, individuals can explore a vast collection of resources across different disciplines, all free of charge. This accessibility empowers individuals to become lifelong learners, contributing to personal growth, professional development, and the advancement of society as a whole. So why not unlock a world of knowledge today? Start exploring the vast sea of free PDF books and manuals waiting to be discovered right at your fingertips.

### FAQs About Ford Iveco Cursor Workshop Manual Books

1. Where can I buy Ford Iveco Cursor Workshop Manual books? Bookstores: Physical bookstores like Barnes & Noble, Waterstones, and independent local stores. Online Retailers: Amazon, Book Depository, and various online bookstores offer a wide range of books in physical and digital formats.
2. What are the different book formats available? Hardcover: Sturdy and durable, usually more expensive. Paperback: Cheaper, lighter, and more portable than hardcovers. E-books: Digital books available for e-readers like Kindle or software like Apple Books, Kindle, and Google Play Books.
3. How do I choose a Ford Iveco Cursor Workshop Manual book to read? Genres: Consider the genre you enjoy (fiction, non-fiction, mystery, sci-fi, etc.). Recommendations: Ask friends, join book clubs, or explore online reviews and recommendations. Author: If you like a particular author, you might enjoy more of their work.
4. How do I take care of Ford Iveco Cursor Workshop Manual books? Storage: Keep them away from direct sunlight and in a dry environment. Handling: Avoid folding pages, use bookmarks, and handle them with clean hands. Cleaning: Gently dust the covers and pages occasionally.
5. Can I borrow books without buying them? Public Libraries: Local libraries offer a wide range of books for borrowing. Book Swaps: Community book exchanges or online platforms where people exchange books.
6. How can I track my reading progress or manage my book collection? Book Tracking Apps: Goodreads, LibraryThing, and Book Catalogue are popular apps for tracking your reading progress and managing book collections. Spreadsheets: You can create your own spreadsheet to track books read, ratings, and other details.
7. What are Ford Iveco Cursor Workshop Manual audiobooks, and where can I find them? Audiobooks: Audio recordings

- of books, perfect for listening while commuting or multitasking. Platforms: Audible, LibriVox, and Google Play Books offer a wide selection of audiobooks.
8. How do I support authors or the book industry? Buy Books: Purchase books from authors or independent bookstores. Reviews: Leave reviews on platforms like Goodreads or Amazon. Promotion: Share your favorite books on social media or recommend them to friends.
  9. Are there book clubs or reading communities I can join? Local Clubs: Check for local book clubs in libraries or community centers. Online Communities: Platforms like Goodreads have virtual book clubs and discussion groups.
  10. Can I read Ford Iveco Cursor Workshop Manual books for free? Public Domain Books: Many classic books are available for free as they're in the public domain. Free E-books: Some websites offer free e-books legally, like Project Gutenberg or Open Library.

**Find Ford Iveco Cursor Workshop Manual :**

*europaean busineb directory 1995*

**ethico-religious concepts in the quran**

**ethnologies francophones de lamerique et dailleurs**

**eugene labiche and georges feydeau**

europaean advances in consumer research vol 4 proceedings of the 1999 conference

eucalyptus 3xed

etnopolitologiia ucbebnoe posobie

europa after rome a new cultural history 500-1000

**europa de 1850 a nos jours**

eudora weltys chronicle a story of mississippi life

**ethics along the color line cb**

*etnokulturnoe vzaimodeistvie i mezhnatsionalnye otnosheniia v iakutii opyt istorikosotsiologicheskogo ibledovaniia*

**euripides plays four**

*ethics legal medicine and forensic pathology*

*ethnobotany of aborigines of andamannicobar islands*



**Ford Iveco Cursor Workshop Manual :**

**esercitazioni di analisi matematica 1 perlego** - Sep 08 2022

web esercitazioni di analisi matematica 1 by marco bramanti z lib org free ebook download as pdf file pdf or read book online for free

[bramanti esercitazioni 1 uniport edu ng](#) - Feb 01 2022

web bramanti esercitazioni 1 2 7 downloaded from uniport edu ng on april 26 2023 by guest solved exercises complete the text at least half of which guide the reader to the solution this new edition features additional material with the aim of matching the widest range of educational choices for a first course

*bramanti esercitazioni analisi 1 uniport edu ng* - Nov 29 2021

**esercitazioni di analisi matematica 1 italian edition bramanti** - Jan 12 2023

web esercitazioni di analisi matematica 1 italian edition ebook bramanti marco amazon com au kindle store

*esercitazioni di analisi matematica 1 amazon it* - Jun 17 2023

web jun 26 2023 questo testo raccoglie esercizi adatti a corsi di analisi matematica 1 per la laurea in ingegneria o affini si tratta perlopiù di esercizi tratti da temi d esame assegnati negli ultimi dieci anni al politecnico di milano l impostazione seguita è quella del libro di testo bramanti pagani salsa analisi matematica 1

**esercitazioni di analisi matematica 1 by marco bramanti pdf** - Jun 05 2022

web questo testo raccoglie esercizi adatti a corsi di analisi matematica 2 per la laurea in ingegneria o affini si tratta perlopiù di esercizi tratti da temi d esame assegnati negli ultimi dieci anni al politecnico di milano l impostazione seguita è quella del libro di testo bramanti pagani salsa analisi matematica 2 zanichelli 2009

*bramanti esercitazioni 1* - Dec 31 2021

*bramanti esercitazioni di analisi matematica 1* - Dec 11 2022

web questo testo raccoglie esercizi adatti a corsi di analisi matematica 1 per la laurea in ingegneria o affini si tratta perlopiù di esercizi tratti da temi d esame assegnati negli ultimi dieci anni al politecnico di milano l impostazione seguita è quella del libro di testo bramanti pagani salsa analisi matematica 1 zanichelli 2008

**esercitazioni di analisi matematica 2 e book formato pdf** - Mar 02 2022

web mar 29 2023 bramanti esercitazioni analisi 1 2 9 downloaded from uniport edu ng on march 29 2023 by guest elements of advanced mathematical analysis for physics and engineering filippo gazzola 2015 08 26 deep comprehension of applied sciences requires a solid knowledge of mathematical analysis for most of high level scientific research

*bramanti esercitazioni di analisi matematica 1 esculapio* - Apr 15 2023

web trova tutto il materiale per esercitazioni di analisi matematica 1 di marco bramanti esercitazioni di analisi matematica 1 segui questo libro documenti 1 studenti 183 riassunti data voti positivi anno voti integrazione riassunto esercitazioni di analisi matematica 1 2 pagine 18 19 nessuno

**esercitazioni di analisi matematica 1 anna s archive** - May 16 2023

web italian it pdf 129 0mb marco bramanti esercitazioni di analisi matematica 1 2015 esculapio screenshot pdf

analisi matematica 1 m bramanti c d pagani s - Aug 19 2023

web questo testo raccoglie esercizi adatti a corsi di analisi matematica 1 per la laurea in ingegneria o affini si tratta perlopiù di esercizi tratti da temi d esame assegnati negli ultimi dieci anni al politecnico di milano l impostazione seguita è quella del libro di testo bramanti pagani salsa analisi matematica 1 zanichelli 2008

*esercitazioni di analisi matematica 1 polimi it* - Jul 18 2023

web esercitazioni di analisi matematica 1 esculapio 2011 marco bramanti isbn 13 978 88 7488 444 5 isbn 10 88 7488 444 3

downloads 12 discussion lists technical details fast downloads become a member to support the long term preservation of books papers and more

*esercitazioni di analisi matematica 1 anna s archive* - Mar 14 2023

web nov 1 2019 esercitazioni di analisi matematica 1 italian edition kindle edition by bramanti marco download it once and read it on your kindle device pc phones or tablets use features like bookmarks note taking and highlighting while reading esercitazioni di analisi matematica 1 italian edition

*scaricare pdf esercitazioni di analisi matematica 1 marco* - Apr 03 2022

web 4 bramanti esercitazioni 1 2023 05 26 can absorb or emit light quanta some established viewpoints are subverted offering an alternative scenario the analysis seeks to provide an answer to many technical problems in physical chemistry and at the same time to raise epistemologic al questions introduction to inequalities john wiley sons

download esercitazioni di analisi matematica 1 by - Sep 20 2023

web un percorso di esercitazioni di analisi matematica 1 per la laurea in ingegneria oltre 1200 esercizi con svolgimento o soluzione 120 esempi guida svolti e commentati dettagliatamente numerose osservazioni didattiche per aiutare specialmente lo studente che non ha seguito bene lezioni ed esercitazioni

**esercitazioni di analisi matematica 1 italian edition ebook** - Oct 09 2022

web bramanti pagani salsa analisi matematica 1 click the start the download download pdf report this file description jlon account 52 167 144 145 login register search search partner sites youtube to mp3 converter about us this project started as a student project in 2014 and was presented in 2017 every aspect of the internet we

esercitazioni di analisi matematica 1 bramanti marco - May 04 2022

web apr 28 2023 bramanti esercitazioni 1 2 6 downloaded from uniport edu ng on april 28 2023 by guest esercizi di analisi matematica 1 bresquar 1975 studying mathematics marco bramanti 2018 07 23 this book is dedicated to preparing prospective college students for the study of mathematics it can be used at the end of high school or during the first *esercitazioni di analisi matematica 1 amazon co uk bramanti* - Nov 10 2022

web discover esercitazioni di analisi matematica 1 book written by marco bramanti explore esercitazioni di analisi matematica 1 in z library and find free summary reviews read online quotes related books ebook resources

*pdf bramanti pagani salsa analisi matematica 1 free* - Jul 06 2022

web bramanti esercitazioni di analisi matematica 2 questo testo raccoglie esercizi adatti a corsi di analisi matematica 2 per la laurea in ingegneria o affini si tratta perlopi di esercizi tratti da temi desame assegnati negli ultimi dieci anni al politecnico di milano

**esercitazioni di analisi matematica 1 by marco bramanti z lib** - Aug 07 2022

web up to 90 off textbooks at amazon canada plus free two day shipping for six months when you sign up for amazon prime for students

*esercitazioni di analisi matematica 1 marco bramanti studocu* - Feb 13 2023

web buy esercitazioni di analisi matematica 1 by bramanti marco isbn 9788874884445 from amazon s book store everyday low prices and free delivery on eligible orders

bramanti esercitazioni 1 uniport edu ng - Oct 29 2021

**analyse transactionnelle et psychothérapie by eric berne** - Jul 13 2023

web may 1st 2020 analyse transactionnelle l analyse transactionnelle vise et permet une prise de conscience ainsi qu une préhension de ce qui se joue ici et maintenant

qu est ce que l analyse transactionnelle michel raffoul - Oct 04 2022

web l analyse transactionnelle a pour objectif de permettre au patient de découvrir d expliquer et de résoudre les troubles psychologiques qu il subit anxiété phobies troubles

**analyse transactionnelle et psychothérapie by eric berne** - Feb 08 2023

web analyse transactionnelle et psychothérapie book 2001 analyse transactionnelle et psychothérapie 9782228883085

analyse transactionnelle psychologies analyse

**analyse transactionnelle et psychothérapie c rapie download only** - Jan 07 2023

web analyse transactionnelle et psychothérapie c rapie link that we provide here and check out the link you could buy lead analyse

transactionnelle et psychothérapie

**analyse transactionnelle et psychothérapie 2022 analytics** - Dec 06 2022

web 2 analyse transactionnelle et psychothérapie 2020 11 26 l'opportunité libérez-vous d'avoir peur de souffrir et être incapable de couper le cordon penser qu'on ne me rite pas

**pdf analyse transactionnelle et psychothérapie** - May 11 2023

web analyse transactionnelle et psychothérapie pascal jun 05 2021 cahiers médicaux lyonnais jan 24 2023 the first year of bereavement jul 26 2020 for

*analyse transactionnelle et psychothérapie uniport.edu* - Feb 25 2022

web jul 30 2023 analyse transactionnelle et psychothérapie and numerous books collections from fictions to scientific research in any way in the midst of them is this

méthode l'analyse transactionnelle psychologies.com - Jun 12 2023

web en analyse transactionnelle le patient apprend à repérer trois facettes importantes de sa personnalité qui le construisent l'enfant le parent et l'adulte des facettes que nous

*analyse transactionnelle et psychothérapie download only* - Mar 09 2023

web 4 analyse transactionnelle et psychothérapie 2022 02 15 practice transactional analysis a relational perspective presents a relational model of psychotherapy which

**analyse transactionnelle et psychothérapie copy uniport.edu** - Mar 29 2022

web transactionnelle et psychothérapie hence simple le grand livre de l'analyse transactionnelle laurie hawkes 2014 12 11 libre et heureux avec l'analyse

**analyse transactionnelle et psychothérapie full pdf** - Apr 10 2023

web 4 analyse transactionnelle et psychothérapie 2021 04 28 psychoanalytic approaches to supervision editions eyrolles in this user friendly book the author leads

**analyse transactionnelle définition mon psychothérapeute.com** - Apr 29 2022

web sep 23 2009 définition de l'analyse transactionnelle développée dans les années 50 par un psychiatre américain du nom d'Éric berne l'analyse transactionnelle est une

analyse transactionnelle et psychothérapie by eric berne - Nov 05 2022

web may 1st 2020 analyse transactionnelle l'analyse transactionnelle vise et permet une prise de conscience ainsi qu'une compréhension de ce qui se joue ici et maintenant

*analyse transactionnelle psychothérapie* - Jul 01 2022

web l'analyse transactionnelle est une méthode de psychothérapie dite humaniste elle s'appuie sur une théorie de la

personnalité et de la communication elle a été fondée au

*analyse transactionnelle et psychothérapie* copy uniport edu - Sep 22 2021

web service de l'excellence du coach cet ouvrage présente de manière rigoureuse et pédagogique les concepts clés et les outils de l'analyse transactionnelle utiles pour le

*analyse transactionnelle et psychothérapie* by eric berne - Nov 24 2021

web berne analyse transactionnelle et psychothérapie 9782228883085 psy analyse transactionnelle psychologue net analyse transactionnelle les 3 tats du portement

*analyse transactionnelle et psychothérapie* uniport edu - Jan 27 2022

web jul 14 2023 comment fonctionne la communication à l'intérieur même de la vie sociale c'est donner la parole à tous c'est refuser de subir le jeu des médias analyser

*analyse transactionnelle et psychothérapie* - Dec 26 2021

web you have remained in right site to begin getting this info get the analyse transactionnelle et psychothérapie associée that we offer here and check out the link you could

*analyse transactionnelle et psychothérapie* by eric berne - Aug 02 2022

web analyse transactionnelle et psychothérapie by eric berne patients névrosés ou psychotiques des psychopathes sexuels en psychosomatique ou encore dans le

**analyse transactionnelle et psychothérapie** copy uniport edu - Oct 24 2021

web aug 11 2023 analyse transactionnelle et psychothérapie 2 6 downloaded from uniport edu ng on august 11 2023 by guest draw on years of dramatic personal and

*analyse transactionnelle et psychothérapie* - Aug 14 2023

web books like this analyse transactionnelle et psychothérapie but end up in harmful downloads rather than enjoying a good book with a cup of tea in the afternoon instead

**analyse transactionnelle et psychothérapie** by eric berne - May 31 2022

web l'analyse transactionnelle est une méthode de psychiatrie pour des patients névrosés ou psychotiques des psychopathes sexuels en psychosomatique ou encore dans le

**analyse transactionnelle et psychothérapie** by eric berne - Sep 03 2022

web analyse transactionnelle et psychothérapie 9782228883085 september 21st 2019 analyse transactionnelle et psychothérapie on free shipping on qualifying offers

**the intel microprocessors 8th edition** brey barry b - Aug 05 2023

web key benefit updated and current this book provides a comprehensive view of programming and interfacing of the intel

family of microprocessors from the 8088

**the intel microprocessors barry b brey google books** - Dec 17 2021

**intel microprocessors the pearson new international edition** - Jun 22 2022

web jun 18 2008 the intel microprocessors 8086 8088 80186 80188 80286 80386 80486 pentium pentium pro processor pentium ii pentium iii pentium 4 and core2

the intel microprocessors google books - Jun 03 2023

web feb 2 2022 1 the intel microprocessors 8086 8088 80186 80188 80286 80386 80486 pentium pentium pro processor pentium ii pentium iii and pentium 4

**the intel microprocessors pearson new international edition** - Jul 04 2023

web the intel microprocessors 8086 8088 80186 80188 80286 80386 80486 pentium pentium pro processor pentium ii pentium iii pentium 4 and core2 with 64 bit

**intel microprocessors the pearson new international edition** - Dec 29 2022

web jun 18 2008 the intel microprocessors 8086 8088 80186 80188 80286 80386 80486 pentium pentium pro processor pentium ii pentium iii pentium 4 and core2

the intel microprocessors 8th edition softcover abebooks - Aug 25 2022

web oct 3 2013 intel microprocessors the pearson new international edition kindle edition by brey barry b download it once and read it on your kindle device pc

**the intel microprocessors architecture programming and** - Feb 28 2023

web intel microprocessors the pearson new international edition 8th edition published by pearson october 31 2013 2014 barry b brey devry institute of technology

**barry b brey home acm digital library** - May 22 2022

web feb 27 2016 the intel microprocessor book pdf by barry b brey results 1 to 5 of 5 thread the intel microprocessor book pdf by barry b brey popular topic for study

**the intel microprocessors by barry b brey open library** - Nov 27 2022

web average rating 3.97 330 ratings 18 reviews 25 distinct works the intel microprocessors 8086 8088 80186 80188 80286 80386 80486 pentium pentium

*the intel microprocessors brey barry b amazon in books* - Apr 20 2022

web feb 8 2020 microsoft intel cpu lar için güvenlik sorunlarını gideren güncelleme yayınladı yeni intel mikro kod güncelleştirmeleri en yeni kasım 2019 güncelleştirmesi ve 2015 te

[the intel microprocessors university of maryland baltimore county](#) - Oct 07 2023

web jun 28 2008 the intel microprocessors 8th edition brey barry b on amazon com free shipping on qualifying offers the intel microprocessors 8th edition

**the intel microprocessors 4th ed 8086 8088 80186 80188** - Jan 30 2023

web oct 21 2023 created by an anonymous user imported from scriblio marc record the intel microprocessors by barry b brey 1991 merrill collier macmillan canada

**the intel microprocessors google books** - Nov 15 2021

**the intel microprocessor book pdf by barry b brey** - Mar 20 2022

web feb 3 2020 intel mikro kod güncellemeleri yalnızca microsoft update kataloğu ndan indirilebiliyor ve windows 10 cihazlara windows update aracılığıyla

**barry b brey author of the intel microprocessors goodreads** - Sep 25 2022

web jul 1 2021 this comprehensive textbook is a complete overview of the intel microprocessor product line from the 8086 to the pentium pro it begins with a general

**the intel microprocessors 8086 8088 80186 80286** - Sep 06 2023

web oct 3 2013 barry b brey pearson education oct 3 2013 technology engineering 936 pages for introductory level microprocessor courses in the departments of

*windows 10 intel mikro kod güncellemesi yayınlandı* - Feb 16 2022

web nov 21 2011 the intel microprocessors 8086 8088 80186 80188 80286 80386 80486 pentium pentium pro processor pentium ii pentium iii pentium 4 and core2

**the intel microprocessors by barry b brey open library** - Apr 01 2023

web jan 1 1997 brey gives a comprehensive description of the entire family of intel microprocessors from the original 8086 to the current pentium pro the book is

[intel microprocessors the barry b brey 9781292027371](#) - May 02 2023

web the intel microprocessors architecture programming and interfacing barry b brey prentice hall of india pvt limited 2006 intel 80xxx series microprocessors 900

**the intel microprocessors 5th ed 8086 8088 80186 80188** - Jul 24 2022

web intel microprocessors 8086 8088 80186 80188 80286 80386 80486 pentium and pentium pro processor pentium ii pentium iii and pentium iv architecture

[İntel İşlemcili windows 10 bilgisayarlara Önemli güncelleme](#) - Jan 18 2022

web the intel microprocessors 8086 8088 80186 80188 80286 80386 80486 pentium pentium pro processor pentium ii  
pentium iii pentium 4 and core2 with 64 bit

**the intel microprocessors 8th edition brey barry b** - Oct 27 2022

web the intel microprocessors 8086 8088 80186 80188 80286 80386 80486 pentium pentium pro processor pentium ii  
pentium iii pentium 4 and core2 with 64 bit