

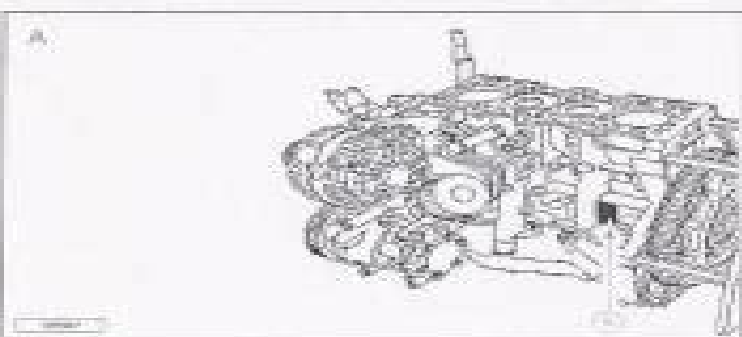
Motor 1.5 dCi

CARACTERÍSTICAS GENERALES

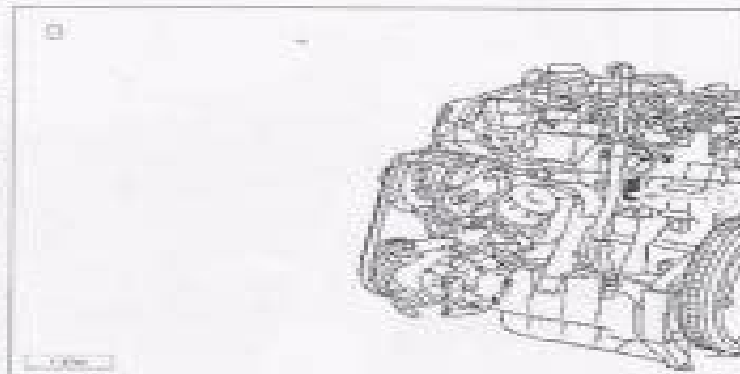
VEHÍCULO	CLIO III					
Tipo posterior	9700	9700V	971A	9700M	971P	9700
Tipo de motor	K9K					
Indice del motor	700	700	700	700	700	700
Norma de anticonformación	Euro 4 o Euro 5	Euro 4 o Euro 5	Euro 4 o Euro 5	Euro 4 o Euro 5	Euro 4 o Euro 5	Euro 4 o Euro 5
Cilindrada (cc)	1461					
Diámetro interior (mm.)	76					
Carro (mm.)	80,0					
Relación volumétrica	17,0/1	17,0/1	17,0/1	17,0/1	17,0/1	17,0/1

VEHÍCULO	CLIO III				
Tipo posterior	9700H	9700F	9700G	971C	9700
Tipo de motor	K9K				
Indice del motor	700	700	700	772	772
Norma de anticonformación	Euro 4	Euro 4	Euro 4	Euro 4	Euro 4
Cilindrada (cc)	1461				
Diámetro interior (mm.)	76				
Carro (mm.)	80,0				
Relación volumétrica	15,0/1	17,0/1	17,0/1	15,0/1	15,0/1

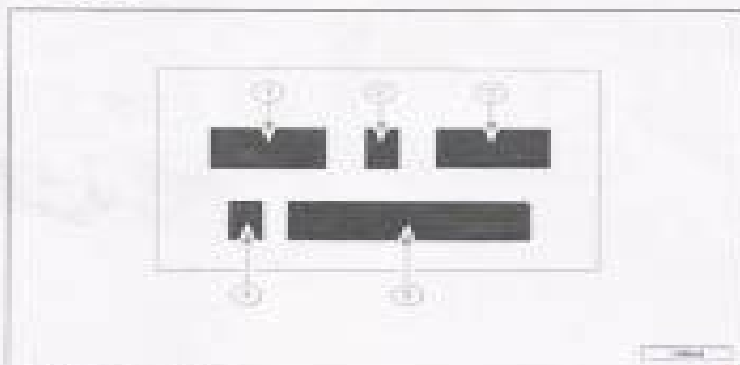
Identificación del motor



La identificación del motor se hace a través de un grabado (B) situado en el bloque motor que puede estar localizado en dos posiciones:



- Posición (B)



El grabado contiene:

- 1.- El tipo de motor.
- 2.- La letra de identificación del motor.
- 3.- El índice del motor.
- 4.- La técnica de montaje del motor.
- 5.- El sistema de fabricación del motor.

- Parte de apriete

NOTA.- 1.0 dCi, n = 1,00 Kg.m.

WWW.AUTOSHARE.ASIA
DHT AUTO

Manual Laguna Dci K9k

Karin Nielsen-Saines



Manual Laguna Dci K9k:

The Enigmatic Realm of **Manual Laguna Dci K9k**: Unleashing the Language is Inner Magic

In a fast-paced digital era where connections and knowledge intertwine, the enigmatic realm of language reveals its inherent magic. Its capacity to stir emotions, ignite contemplation, and catalyze profound transformations is nothing short of extraordinary. Within the captivating pages of **Manual Laguna Dci K9k** a literary masterpiece penned with a renowned author, readers embark on a transformative journey, unlocking the secrets and untapped potential embedded within each word. In this evaluation, we shall explore the book's core themes, assess its distinct writing style, and delve into its lasting affect the hearts and minds of people who partake in its reading experience.

<https://staging.conocer.cide.edu/files/book-search/HomePages/mip%20study%20guide%20aka.pdf>

Table of Contents Manual Laguna Dci K9k

1. Understanding the eBook Manual Laguna Dci K9k
 - The Rise of Digital Reading Manual Laguna Dci K9k
 - Advantages of eBooks Over Traditional Books
2. Identifying Manual Laguna Dci K9k
 - Exploring Different Genres
 - Considering Fiction vs. Non-Fiction
 - Determining Your Reading Goals
3. Choosing the Right eBook Platform
 - Popular eBook Platforms
 - Features to Look for in an Manual Laguna Dci K9k
 - User-Friendly Interface
4. Exploring eBook Recommendations from Manual Laguna Dci K9k
 - Personalized Recommendations
 - Manual Laguna Dci K9k User Reviews and Ratings
 - Manual Laguna Dci K9k and Bestseller Lists

5. Accessing Manual Laguna Dci K9k Free and Paid eBooks
 - Manual Laguna Dci K9k Public Domain eBooks
 - Manual Laguna Dci K9k eBook Subscription Services
 - Manual Laguna Dci K9k Budget-Friendly Options
6. Navigating Manual Laguna Dci K9k eBook Formats
 - ePub, PDF, MOBI, and More
 - Manual Laguna Dci K9k Compatibility with Devices
 - Manual Laguna Dci K9k Enhanced eBook Features
7. Enhancing Your Reading Experience
 - Adjustable Fonts and Text Sizes of Manual Laguna Dci K9k
 - Highlighting and Note-Taking Manual Laguna Dci K9k
 - Interactive Elements Manual Laguna Dci K9k
8. Staying Engaged with Manual Laguna Dci K9k
 - Joining Online Reading Communities
 - Participating in Virtual Book Clubs
 - Following Authors and Publishers Manual Laguna Dci K9k
9. Balancing eBooks and Physical Books Manual Laguna Dci K9k
 - Benefits of a Digital Library
 - Creating a Diverse Reading Collection Manual Laguna Dci K9k
10. Overcoming Reading Challenges
 - Dealing with Digital Eye Strain
 - Minimizing Distractions
 - Managing Screen Time
11. Cultivating a Reading Routine Manual Laguna Dci K9k
 - Setting Reading Goals Manual Laguna Dci K9k
 - Carving Out Dedicated Reading Time
12. Sourcing Reliable Information of Manual Laguna Dci K9k
 - Fact-Checking eBook Content of Manual Laguna Dci K9k
 - Distinguishing Credible Sources
13. Promoting Lifelong Learning

- Utilizing eBooks for Skill Development
 - Exploring Educational eBooks
14. Embracing eBook Trends
- Integration of Multimedia Elements
 - Interactive and Gamified eBooks

Manual Laguna Dci K9k Introduction

Free PDF Books and Manuals for Download: Unlocking Knowledge at Your Fingertips In today's fast-paced digital age, obtaining valuable knowledge has become easier than ever. Thanks to the internet, a vast array of books and manuals are now available for free download in PDF format. Whether you are a student, professional, or simply an avid reader, this treasure trove of downloadable resources offers a wealth of information, conveniently accessible anytime, anywhere. The advent of online libraries and platforms dedicated to sharing knowledge has revolutionized the way we consume information. No longer confined to physical libraries or bookstores, readers can now access an extensive collection of digital books and manuals with just a few clicks. These resources, available in PDF, Microsoft Word, and PowerPoint formats, cater to a wide range of interests, including literature, technology, science, history, and much more. One notable platform where you can explore and download free Manual Laguna Dci K9k PDF books and manuals is the internet's largest free library. Hosted online, this catalog compiles a vast assortment of documents, making it a veritable goldmine of knowledge. With its easy-to-use website interface and customizable PDF generator, this platform offers a user-friendly experience, allowing individuals to effortlessly navigate and access the information they seek. The availability of free PDF books and manuals on this platform demonstrates its commitment to democratizing education and empowering individuals with the tools needed to succeed in their chosen fields. It allows anyone, regardless of their background or financial limitations, to expand their horizons and gain insights from experts in various disciplines. One of the most significant advantages of downloading PDF books and manuals lies in their portability. Unlike physical copies, digital books can be stored and carried on a single device, such as a tablet or smartphone, saving valuable space and weight. This convenience makes it possible for readers to have their entire library at their fingertips, whether they are commuting, traveling, or simply enjoying a lazy afternoon at home. Additionally, digital files are easily searchable, enabling readers to locate specific information within seconds. With a few keystrokes, users can search for keywords, topics, or phrases, making research and finding relevant information a breeze. This efficiency saves time and effort, streamlining the learning process and allowing individuals to focus on extracting the information they need. Furthermore, the availability of free PDF books and manuals fosters a culture of continuous learning. By removing financial barriers, more people can access educational resources and pursue lifelong learning, contributing to personal

growth and professional development. This democratization of knowledge promotes intellectual curiosity and empowers individuals to become lifelong learners, promoting progress and innovation in various fields. It is worth noting that while accessing free Manual Laguna Dci K9k PDF books and manuals is convenient and cost-effective, it is vital to respect copyright laws and intellectual property rights. Platforms offering free downloads often operate within legal boundaries, ensuring that the materials they provide are either in the public domain or authorized for distribution. By adhering to copyright laws, users can enjoy the benefits of free access to knowledge while supporting the authors and publishers who make these resources available. In conclusion, the availability of Manual Laguna Dci K9k free PDF books and manuals for download has revolutionized the way we access and consume knowledge. With just a few clicks, individuals can explore a vast collection of resources across different disciplines, all free of charge. This accessibility empowers individuals to become lifelong learners, contributing to personal growth, professional development, and the advancement of society as a whole. So why not unlock a world of knowledge today? Start exploring the vast sea of free PDF books and manuals waiting to be discovered right at your fingertips.

FAQs About Manual Laguna Dci K9k Books

How do I know which eBook platform is the best for me? Finding the best eBook platform depends on your reading preferences and device compatibility. Research different platforms, read user reviews, and explore their features before making a choice. Are free eBooks of good quality? Yes, many reputable platforms offer high-quality free eBooks, including classics and public domain works. However, make sure to verify the source to ensure the eBook credibility. Can I read eBooks without an eReader? Absolutely! Most eBook platforms offer webbased readers or mobile apps that allow you to read eBooks on your computer, tablet, or smartphone. How do I avoid digital eye strain while reading eBooks? To prevent digital eye strain, take regular breaks, adjust the font size and background color, and ensure proper lighting while reading eBooks. What the advantage of interactive eBooks? Interactive eBooks incorporate multimedia elements, quizzes, and activities, enhancing the reader engagement and providing a more immersive learning experience. Manual Laguna Dci K9k is one of the best book in our library for free trial. We provide copy of Manual Laguna Dci K9k in digital format, so the resources that you find are reliable. There are also many Ebooks of related with Manual Laguna Dci K9k. Where to download Manual Laguna Dci K9k online for free? Are you looking for Manual Laguna Dci K9k PDF? This is definitely going to save you time and cash in something you should think about. If you trying to find then search around for online. Without a doubt there are numerous these available and many of them have the freedom. However without doubt you receive whatever you purchase. An alternate way to get ideas is always to check another Manual Laguna Dci K9k. This method for see exactly what may be

included and adopt these ideas to your book. This site will almost certainly help you save time and effort, money and stress. If you are looking for free books then you really should consider finding to assist you try this. Several of Manual Laguna Dci K9k are for sale to free while some are payable. If you arent sure if the books you would like to download works with for usage along with your computer, it is possible to download free trials. The free guides make it easy for someone to free access online library for download books to your device. You can get free download on free trial for lots of books categories. Our library is the biggest of these that have literally hundreds of thousands of different products categories represented. You will also see that there are specific sites catered to different product types or categories, brands or niches related with Manual Laguna Dci K9k. So depending on what exactly you are searching, you will be able to choose e books to suit your own need. Need to access completely for Campbell Biology Seventh Edition book? Access Ebook without any digging. And by having access to our ebook online or by storing it on your computer, you have convenient answers with Manual Laguna Dci K9k To get started finding Manual Laguna Dci K9k, you are right to find our website which has a comprehensive collection of books online. Our library is the biggest of these that have literally hundreds of thousands of different products represented. You will also see that there are specific sites catered to different categories or niches related with Manual Laguna Dci K9k So depending on what exactly you are searching, you will be able to choose ebook to suit your own need. Thank you for reading Manual Laguna Dci K9k. Maybe you have knowledge that, people have search numerous times for their favorite readings like this Manual Laguna Dci K9k, but end up in harmful downloads. Rather than reading a good book with a cup of coffee in the afternoon, instead they juggled with some harmful bugs inside their laptop. Manual Laguna Dci K9k is available in our book collection an online access to it is set as public so you can download it instantly. Our digital library spans in multiple locations, allowing you to get the most less latency time to download any of our books like this one. Merely said, Manual Laguna Dci K9k is universally compatible with any devices to read.

Find Manual Laguna Dci K9k :

mip study guide aka

[minisplit mirage titanium series manual](#)

miss k m t e in kiswahili name

minolta dimage a1 owners manual

ministra e transportit testet e autoshkolles

mio zone watch manual

[miscellaneous me memoirs for the modern age](#)

[mistaken identity a jules poiret mystery book 26](#)

[minnkota 55 pd manual](#)

mirabelle summers addict him to you

[minolta dynax 5 camera manual](#)

mistress for a night

mississippi benchmarks fifth grade science

[mini tart shells recipe](#)

[mistress to the beast](#)

Manual Laguna Dci K9k :

BYU Geometry 41 Theron List Flashcards Supplements of congruent angles are congruent (lesson 2 Speedback). THEOREM 2.8. Vertical angles are congruent (lesson 2 Speedback). THEOREM 3.1. Two lines ... Course Catalog Speed Reading. READ 041 | High School | 0.50 Credit Hours | \$199.00. Reading ... Geometry, Part 1 · New Course · UC Approved · UC-C · NCAA Approved · OSPI ... BYU WRIT041- Self Check 2.2 Flashcards Study with Quizlet and memorize flashcards containing terms like What is the auxiliary verb in the following sentences? I will call him tomorrow., ... Geometry, Part 1 This course is a study of segments and angles, mathematical reasoning, parallel lines, triangles, polygons, quadrilaterals, and similarity. AP Calculus AB, Part 2 Concepts that students have learned from algebra and geometry that may have been confusing will be made clear in this course. This is the second course in a ... Byu Algebra 1 Answers byu algebra 1 answers. BYU ALGEBRA part 2 question pls help 7. Algebra 1 Guided Practive Answers. TEACHERS EDITION. Byu algebra 2 answers | Math Formulas. Anyone have experience w/BYU online classes? Feb 20, 2014 — My daughter will take the chapter 6 speedback tomorrow. The test is multiple choice and we submit her answers online. It is graded instantly. BYU Independent Study.pdf Aug 1, 2021 — Definitions. 1,1 "Courses" means the BYU Independent Study HiSh. School Suite online courses listed in Schedule B, including. Geometry Archive: Questions from July 23, 2014 Jul 23, 2014 — Geometry archive containing a full list of geometry questions and answers from July 23 2014. Answers To Basic Methods Of Structural Geology (2023) Oct 15, 2023 — Psyche | Falcon Heavy - Everyday Astronaut. Q&A: What does it mean to be a woman in the geosciences? - Stanford Earth. Basic Methods Of Structural Geology Solution Manual Our interactive player makes it easy to find solutions to Basic Methods of Structural Geology problems you're working on - just go to the chapter for your book. STRUCTURAL GEOLOGY EXERCISE 25 PTS. NAME ... Dec 9, 2019 — NAME Complete the following exercises us cises using your textbook and lecture notes as guides. Cross-Section and Map Views Consider the ... geokniga-basic-methods-structural-geology.pdf Basic Methods of Structural Geology is a textbook designed to serve two purposes. ... answers to the preceding questions, and Tables 10-2 and 10-3, explain why ... Basic Methods of Structural Geology by Marshak, Stephen ... solutions such as can be found in most

modern math, engineering, chemistry textbooks. Bottom Line: This textbook makes learning structural geology a huge ...

Chapter 12 Geological Structures Some of the types of geological structures that are important to study include bedding planes, planes of foliation, dykes and sills, fractures, faults, and ... Basic Methods of Structural... by STEPHEN MARSHAK ...

Basic Methods of Structural Geology [Paperback] [Jan 01, 2017] Stephen Marshak Gautum Mitra, [STEPHEN MARSHAK GAUTUM MITRA,] on Amazon.com. Structural Geology Numericals and Maps: Class-04 - YouTube Problems and Solutions in Structural Geology and Tectonics Chapter 1 - Cross-Section Construction and Balancing: Examples From the Spanish Pyrenees · Chapter 2 - Techniques for the Field Measurement and Analysis of the ... Structural Geology - Lesson 1 - Part 3 of 4 - YouTube

Urban Economics, 7th Edition by Arthur O'Sullivan The new edition continues to cover urban economics as the discipline that lies at the intersection of geography and economics. "Urban Economics" incorporates ... Urban Economics: O'Sullivan, Arthur The Seventh edition of Urban Economics continues to be the market leading textbook due to its thorough content and concise writing style. Urban Economics, 7th Edition by Arthur O'Sullivan The new edition continues to cover urban economics as the discipline that lies at the intersection of geography and economics. "Urban Economics" incorporates ... Urban Economics, 7th Edition The seventh edition of "Urban Economics" continues to be the market leading textbook due to its thorough content and concise writing style. Urban Economics, 7th Edition by Arthur O'Sullivan McGraw Hill. Seventh Edition. Good. Good. International edition. Ship within 24hrs. Satisfaction 100% guaranteed. APO/FPO addresses supported. ISBN: 9780073375786 - Urban Economics (7th edition) Show Synopsis. The Seventh edition of Urban Economics continues to be the market leading textbook due to its thorough content and concise writing style. Urban Economics 7th Edition by Arthur Osullivan Urban Economics, 7th Edition by Arthur O'Sullivan and a great selection of related books, art and collectibles available now at AbeBooks.com. Urban Economics 7th Edition Arthur O'sullian 2009 Urban Economics, 7th Edition by Arthur O'Sullivan (paperback). Pre-Owned ... Urban Economics, 7th Edition by Arthur O'Sullivan (paperback). \$10.49. +\$9.99 ... Urban Economics, 7th Edition by Arthur O'Sullivan Like the seven previous editions, this edition provides a clear and concise presentation of the economic forces that cause the development of cities, ... Urban Economics | Rent | 9780073375786 Rent Urban Economics 7th edition (978-0073375786) today, or search our site for other textbooks by Arthur O'Sullivan. Every textbook comes with a 21-day ...