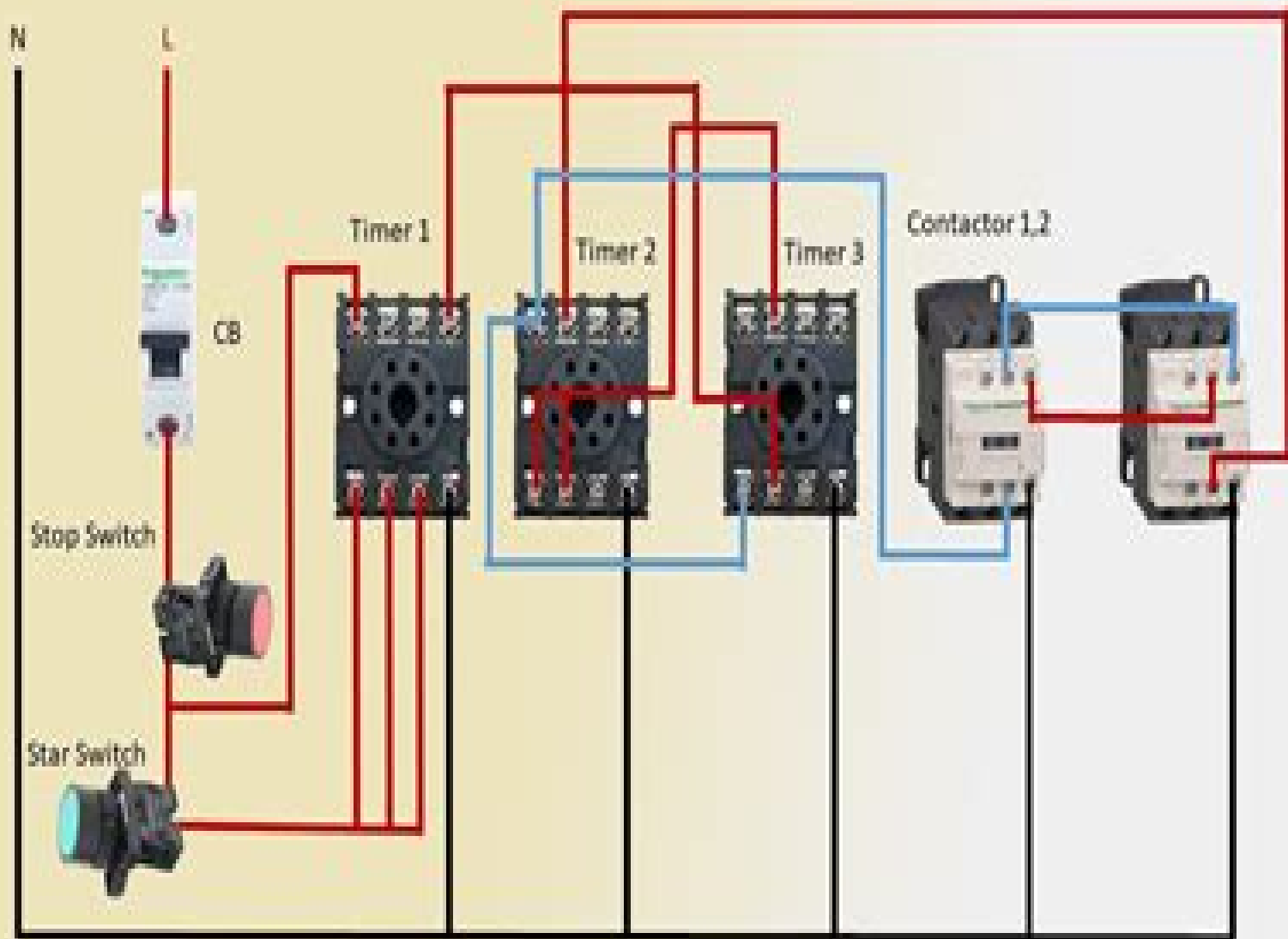


Auto Forward Reverse Motor Control Wiring Diagram



Interlock Fault Forward Reverse Motor Control

Jessica J Manson



Interlock Fault Forward Reverse Motor Control:

This Captivating World of E-book Books: A Thorough Guide Unveiling the Advantages of Kindle Books: A World of Ease and Versatility Kindle books, with their inherent mobility and ease of availability, have freed readers from the limitations of hardcopy books. Gone are the days of lugging bulky novels or carefully searching for specific titles in bookstores. E-book devices, stylish and lightweight, effortlessly store an wide library of books, allowing readers to immerse in their favorite reads anytime, anywhere. Whether commuting on a busy train, relaxing on a sunny beach, or just cozying up in bed, Kindle books provide an exceptional level of convenience. A Literary World Unfolded: Discovering the Vast Array of E-book Interlock Fault Forward Reverse Motor Control Interlock Fault Forward Reverse Motor Control The Kindle Store, a digital treasure trove of literary gems, boasts an wide collection of books spanning diverse genres, catering to every readers preference and choice. From gripping fiction and thought-provoking non-fiction to timeless classics and contemporary bestsellers, the E-book Shop offers an unparalleled variety of titles to discover. Whether seeking escape through engrossing tales of imagination and adventure, delving into the depths of past narratives, or broadening ones knowledge with insightful works of science and philosophical, the Kindle Store provides a gateway to a bookish universe brimming with endless possibilities. A Game-changing Force in the Bookish Scene: The Enduring Influence of Kindle Books Interlock Fault Forward Reverse Motor Control The advent of Kindle books has undoubtedly reshaped the bookish scene, introducing a model shift in the way books are published, distributed, and read. Traditional publishing houses have embraced the digital revolution, adapting their approaches to accommodate the growing need for e-books. This has led to a surge in the accessibility of E-book titles, ensuring that readers have entry to a vast array of literary works at their fingertips. Moreover, E-book books have democratized access to books, breaking down geographical limits and offering readers worldwide with equal opportunities to engage with the written word. Irrespective of their place or socioeconomic background, individuals can now immerse themselves in the intriguing world of literature, fostering a global community of readers. Conclusion: Embracing the Kindle Experience Interlock Fault Forward Reverse Motor Control Kindle books Interlock Fault Forward Reverse Motor Control, with their inherent convenience, flexibility, and wide array of titles, have undoubtedly transformed the way we experience literature. They offer readers the liberty to discover the limitless realm of written expression, anytime, anywhere. As we continue to travel the ever-evolving online scene, Kindle books stand as testament to the persistent power of storytelling, ensuring that the joy of reading remains accessible to all.

<https://staging.conocer.cide.edu/files/Resources/index.jsp/heritage%20of%20conquest.pdf>

Table of Contents Interlock Fault Forward Reverse Motor Control

1. Understanding the eBook Interlock Fault Forward Reverse Motor Control
 - The Rise of Digital Reading Interlock Fault Forward Reverse Motor Control
 - Advantages of eBooks Over Traditional Books
2. Identifying Interlock Fault Forward Reverse Motor Control
 - Exploring Different Genres
 - Considering Fiction vs. Non-Fiction
 - Determining Your Reading Goals
3. Choosing the Right eBook Platform
 - Popular eBook Platforms
 - Features to Look for in an Interlock Fault Forward Reverse Motor Control
 - User-Friendly Interface
4. Exploring eBook Recommendations from Interlock Fault Forward Reverse Motor Control
 - Personalized Recommendations
 - Interlock Fault Forward Reverse Motor Control User Reviews and Ratings
 - Interlock Fault Forward Reverse Motor Control and Bestseller Lists
5. Accessing Interlock Fault Forward Reverse Motor Control Free and Paid eBooks
 - Interlock Fault Forward Reverse Motor Control Public Domain eBooks
 - Interlock Fault Forward Reverse Motor Control eBook Subscription Services
 - Interlock Fault Forward Reverse Motor Control Budget-Friendly Options
6. Navigating Interlock Fault Forward Reverse Motor Control eBook Formats
 - ePub, PDF, MOBI, and More
 - Interlock Fault Forward Reverse Motor Control Compatibility with Devices
 - Interlock Fault Forward Reverse Motor Control Enhanced eBook Features
7. Enhancing Your Reading Experience
 - Adjustable Fonts and Text Sizes of Interlock Fault Forward Reverse Motor Control
 - Highlighting and Note-Taking Interlock Fault Forward Reverse Motor Control
 - Interactive Elements Interlock Fault Forward Reverse Motor Control
8. Staying Engaged with Interlock Fault Forward Reverse Motor Control

- Joining Online Reading Communities
 - Participating in Virtual Book Clubs
 - Following Authors and Publishers Interlock Fault Forward Reverse Motor Control
9. Balancing eBooks and Physical Books Interlock Fault Forward Reverse Motor Control
- Benefits of a Digital Library
 - Creating a Diverse Reading Collection Interlock Fault Forward Reverse Motor Control
10. Overcoming Reading Challenges
- Dealing with Digital Eye Strain
 - Minimizing Distractions
 - Managing Screen Time
11. Cultivating a Reading Routine Interlock Fault Forward Reverse Motor Control
- Setting Reading Goals Interlock Fault Forward Reverse Motor Control
 - Carving Out Dedicated Reading Time
12. Sourcing Reliable Information of Interlock Fault Forward Reverse Motor Control
- Fact-Checking eBook Content of Interlock Fault Forward Reverse Motor Control
 - Distinguishing Credible Sources
13. Promoting Lifelong Learning
- Utilizing eBooks for Skill Development
 - Exploring Educational eBooks
14. Embracing eBook Trends
- Integration of Multimedia Elements
 - Interactive and Gamified eBooks

Interlock Fault Forward Reverse Motor Control Introduction

In the digital age, access to information has become easier than ever before. The ability to download Interlock Fault Forward Reverse Motor Control has revolutionized the way we consume written content. Whether you are a student looking for course material, an avid reader searching for your next favorite book, or a professional seeking research papers, the option to download Interlock Fault Forward Reverse Motor Control has opened up a world of possibilities. Downloading Interlock Fault Forward Reverse Motor Control provides numerous advantages over physical copies of books and documents. Firstly, it is incredibly convenient. Gone are the days of carrying around heavy textbooks or bulky folders filled with papers. With the

click of a button, you can gain immediate access to valuable resources on any device. This convenience allows for efficient studying, researching, and reading on the go. Moreover, the cost-effective nature of downloading Interlock Fault Forward Reverse Motor Control has democratized knowledge. Traditional books and academic journals can be expensive, making it difficult for individuals with limited financial resources to access information. By offering free PDF downloads, publishers and authors are enabling a wider audience to benefit from their work. This inclusivity promotes equal opportunities for learning and personal growth. There are numerous websites and platforms where individuals can download Interlock Fault Forward Reverse Motor Control. These websites range from academic databases offering research papers and journals to online libraries with an expansive collection of books from various genres. Many authors and publishers also upload their work to specific websites, granting readers access to their content without any charge. These platforms not only provide access to existing literature but also serve as an excellent platform for undiscovered authors to share their work with the world. However, it is essential to be cautious while downloading Interlock Fault Forward Reverse Motor Control. Some websites may offer pirated or illegally obtained copies of copyrighted material. Engaging in such activities not only violates copyright laws but also undermines the efforts of authors, publishers, and researchers. To ensure ethical downloading, it is advisable to utilize reputable websites that prioritize the legal distribution of content. When downloading Interlock Fault Forward Reverse Motor Control, users should also consider the potential security risks associated with online platforms. Malicious actors may exploit vulnerabilities in unprotected websites to distribute malware or steal personal information. To protect themselves, individuals should ensure their devices have reliable antivirus software installed and validate the legitimacy of the websites they are downloading from. In conclusion, the ability to download Interlock Fault Forward Reverse Motor Control has transformed the way we access information. With the convenience, cost-effectiveness, and accessibility it offers, free PDF downloads have become a popular choice for students, researchers, and book lovers worldwide. However, it is crucial to engage in ethical downloading practices and prioritize personal security when utilizing online platforms. By doing so, individuals can make the most of the vast array of free PDF resources available and embark on a journey of continuous learning and intellectual growth.

FAQs About Interlock Fault Forward Reverse Motor Control Books

What is a Interlock Fault Forward Reverse Motor Control PDF? A PDF (Portable Document Format) is a file format developed by Adobe that preserves the layout and formatting of a document, regardless of the software, hardware, or operating system used to view or print it. **How do I create a Interlock Fault Forward Reverse Motor Control PDF?**

There are several ways to create a PDF: Use software like Adobe Acrobat, Microsoft Word, or Google Docs, which often have

built-in PDF creation tools. Print to PDF: Many applications and operating systems have a "Print to PDF" option that allows you to save a document as a PDF file instead of printing it on paper. Online converters: There are various online tools that can convert different file types to PDF. **How do I edit a Interlock Fault Forward Reverse Motor Control PDF?** Editing a PDF can be done with software like Adobe Acrobat, which allows direct editing of text, images, and other elements within the PDF. Some free tools, like PDFescape or Smallpdf, also offer basic editing capabilities. **How do I convert a Interlock Fault Forward Reverse Motor Control PDF to another file format?** There are multiple ways to convert a PDF to another format: Use online converters like Smallpdf, Zamzar, or Adobe Acrobats export feature to convert PDFs to formats like Word, Excel, JPEG, etc. Software like Adobe Acrobat, Microsoft Word, or other PDF editors may have options to export or save PDFs in different formats. **How do I password-protect a Interlock Fault Forward Reverse Motor Control PDF?** Most PDF editing software allows you to add password protection. In Adobe Acrobat, for instance, you can go to "File" -> "Properties" -> "Security" to set a password to restrict access or editing capabilities. Are there any free alternatives to Adobe Acrobat for working with PDFs? Yes, there are many free alternatives for working with PDFs, such as: LibreOffice: Offers PDF editing features. PDFsam: Allows splitting, merging, and editing PDFs. Foxit Reader: Provides basic PDF viewing and editing capabilities. How do I compress a PDF file? You can use online tools like Smallpdf, ILovePDF, or desktop software like Adobe Acrobat to compress PDF files without significant quality loss. Compression reduces the file size, making it easier to share and download. Can I fill out forms in a PDF file? Yes, most PDF viewers/editors like Adobe Acrobat, Preview (on Mac), or various online tools allow you to fill out forms in PDF files by selecting text fields and entering information. Are there any restrictions when working with PDFs? Some PDFs might have restrictions set by their creator, such as password protection, editing restrictions, or print restrictions. Breaking these restrictions might require specific software or tools, which may or may not be legal depending on the circumstances and local laws.

Find Interlock Fault Forward Reverse Motor Control :

[heritage of conquest](#)

[heritage a tale of twos the of common prayer and the of alternative services](#)

heres florida florida survival guide famous florida

[hey babysitter lets play a guide to fun and games for babysitters](#)

hidden hearts

herrliche zeiten die deutschen und ihr kaiserreich

heritage flight americas air force celebrates 100 years of aviation

[hidden face of shyness](#)

[heroes of faith](#)

[herr hempel at the german legation in dublin 1937-1945](#)

[heroine of the limberlost a paper doll biography of gene strattonporter](#)

[heroic adventures volume 1](#)

[here with me](#)

[het trimwasknipen verzorginsboek](#)

[here is a poem an anthology of canadian poetry](#)

Interlock Fault Forward Reverse Motor Control :

[as and a level religious studies eduqas](#) - Jan 08 2023

web learn more about a level religious studies with eduqas here you ll find a level rs revision and teaching tools plus religious studies past papers

[as a level religious studies philosophy flash rev pdf](#) - Sep 04 2022

web knowledge and p my revision notes aqa a level religious studies paper 1 philosophy of religion and ethics jul 02 2023 target success in aqa a level religious studies with this proven formula for effective structured revision key content coverage is combined with exam style tasks and practical tips to create a revision

[as and a level religious studies h173 h573 ocr](#) - Aug 03 2022

web our a level in religious studies provides a coherent and thought provoking programme of study students develop their understanding and appreciation of religious beliefs and teachings as well as the disciplines of ethics and the philosophy of religion

[philosophy of religion revision world](#) - Apr 30 2022

web philosophy of religion rs religious studies revision section covering the arguments for an existence of god arguments for the existence of god attributes of god life after death miracles and religious experience

[a level philosophy religious studies](#) - Feb 09 2023

web aqa religious studies revision notes philosophy ethics christianity buddhism essay structure technique

[revision guide for a level religious studies brainscape](#) - May 12 2023

web top a level religious studies flashcards ranked by quality a level re a level re flashcard maker jack r 2 596 cards 29 decks 264 learners sample decks development of christian thought st augustine philosophy plato philosophy key words show class

religious studies a level religious studies a level flashcard

[religious studies a level revision revision world](#) - Jul 14 2023

web religious studies rs a level revision section covering ethics and philosophy of religion

a level philosophy religious studies - Aug 15 2023

web this website contains revision and learning materials for a level philosophy and a level religious studies which schools sometimes call theology or re or rpe use the menu at the top of the page to find the notes relevant to you click on your a level philosophy or one of the 4 rs exam boards the content on this website is not finished

as a level religious studies philosophy flash rev pdf - Feb 26 2022

web jul 6 2023 as a level religious studies philosophy flash rev 1 9 downloaded from uniport edu ng on july 6 2023 by guest as a level religious studies philosophy flash rev getting the books as a level religious studies philosophy flash rev now is not type of challenging means you

aqa as and a level religious studies specification at a glance - Nov 06 2022

web jun 5 2019 section a study of religion for each faith option 2a 2e the following topics are covered sources of wisdom and authority god gods ultimate reality self death and the afterlife good conduct and key moral principles expression of religious identity religion gender and sexuality religion and science

a level philosophy religious studies - Mar 30 2022

web religious language verification falsification language games works of scholars atheism dawkins westphal russell copleston life after death science vs religion philosophy anthology extract 1 mackie philosophy anthology extract 2 flew hare philosophy anthology extract 3 flew mitchell philosophy anthology extract 4

a level philosophy religious studies - Mar 10 2023

web ocr philosophy revision notes ancient philosophical influences plato aristotle soul mind body arguments based on observation the teleological argument arguments based on observation the cosmological argument arguments based on reason the ontological argument religious experience the problem of evil the nature or attributes of god

a level philosophy religious studies - Oct 05 2022

web aqa philosophy revision notes note this is for the philosophy a level not the religious studies a level even though a third of rs is called philosophy epistemology moral philosophy metaphysics of god metaphysics of

as a level religious studies philosophy flash rev pdf 2023 - Jun 01 2022

web with chapters on how to do philosophy exam preparation providing students with the philosophical skills they need to succeed and an extensive glossary to support understanding this book is ideal for students studying philosophy

aqa religious studies as and a level religious studies - Jul 02 2022

web a level religious studies 7062 find all the information support and resources you need to deliver our specification teaching from september 2016

as a level religious studies philosophy flash revise - Dec 27 2021

web jun 2 2023 as a level religious studies philosophy flash revise pocketbook by gordon reid sarah tyler discover our range of resources for ks3 gcse and a level religious studies and philosophy

as a level philosophy knowledge organisers eduqas - Jun 13 2023

web may 12 2020 rs philosophy of religion a level ks5 a bank of sample knowledge organisers to support the learning of as a level religious studies philosophy these could be used for revision or as a starting point for creating your own knowledge organisers knowledge organiser distance learning

aqa as and a level religious studies assessment resources - Dec 07 2022

web assessment resources question paper paper 1 philosophy of religion and ethics june 2022 new question paper modified a4 18pt paper 2a buddhism june 2022 new question paper modified a4 18pt paper 2b christianity june 2022 new question paper modified a4 18pt paper 2d islam june 2022 new

a level religious studies flashcards quizlet - Apr 11 2023

web relating to or denoting reasoning or knowledge that proceeds from theoretical deduction rather than from observation or experience the action of thinking about something in a logical sensible way the theological virtue by which one believes in all that god has said and revealed to man and that the church proposes for belief

as a level religious studies philosophy flash rev pdf - Jan 28 2022

web aug 27 2023 as a level religious studies philosophy flash rev 1 8 downloaded from uniport edu ng on august 27 2023 by guest as a level religious studies philosophy flash rev right here we have countless books as a level religious studies philosophy flash rev and collections to check out

les rois qui ont fait la france tome 19 louis xiv roi soleil - Dec 07 2022

web jul 4 1997 né sous louis xv fils de philippe égalité général de la révolution exilé pour échapper à la guillotine le futur louis philippe connut dès son jeune âge une existence extraordinairement aventureuse parfois misérable voyagea même

louis xiv biographie du roi soleil de la fronde à versailles - Apr 11 2023

web apr 22 2022 biographie histoire roi louis xiv biographie du roi soleil de la fronde à versailles la rédaction mis à jour le 22 avril 2022 16 55 biographie louis xiv monarque absolu pendant 54 ans le roi soleil laisse une france rayonnante comme en témoigne le château de versailles son règne est marqué par la fronde les guerres et

louis xiv wikipedia - Nov 06 2022

web louis xiv louis dieudonné 5 september 1638 1 september 1715 also known as louis the great louis le grand or the sun king le roi soleil was king of france from 1643 until his death in 1715 his verified reign of 72 years and 110 days is

louis xiv qui était le roi soleil hugo l escargot - Feb 09 2023

web apr 30 2021 histoire et géographie cm1 cm2 louis xiv qui était le roi soleil rédaction d hugo article mis à jour le 30 04 21 16 25 on le surnommait louis le grand ou le roi soleil mais qui était louis xiv et quel fut son règne voici tout ce que vous devez savoir sur ce célèbre roi de france imprimer partager philippe halle 123rf com

[louis xiv le roi soleil lumni](#) - Mar 10 2023

web louis xiv surnommé le roi soleil est né le 5 septembre 1638 et a régné sur le royaume de france et de navarre pendant 72 ans jusqu'à sa mort le 1^{er} septembre 1715 dans sa demeure le château de versailles la journée du roi

louis xiv roi de france qui était le roi soleil memes memes - Aug 03 2022

web jan 1 2022 la cour est le ciel le roi est le soleil louis xiv est aussi un mécène important le roi soleil donne de l argent à des artistes pour qu'ils créent des tableaux des sculptures etc comme molière racine et la fontaine il aide aussi des savants et fait travailler des architectes

les rois qui ont fait la france louis xiv le roi soleil le plus - Jan 08 2023

web noté 5 retrouvez les rois qui ont fait la france louis xiv le roi soleil le plus long règne de l histoire de france et des millions de livres en stock sur amazon fr achetez neuf ou d occasion

louis xiv le roi soleil la conquête du pouvoir épisode 1 - Jun 01 2022

web may 9 2021 00 00 le roi soleil à la conquête du pouvoir 02 11 le jeune roi un don du ciel 14 13 le nouveau règne consolidation du pouvoir 19 51 l amant dévot religion

[pourquoi louis xiv est il connu sous le surnom du roi soleil europe 1](#) - Feb 26 2022

web sep 1 2020 mardi il se demande pourquoi le surnom de louis xiv le roi soleil est passé à la postérité cela fait 305 années jour pour jour que le roi soleil n est plus louis

les rois qui ont fait la france louis xiv le roi soleil pocket - Mar 30 2022

web buy les rois qui ont fait la france louis xiv le roi soleil by bordonove georges isbn 9782290334072 from amazon s book store everyday low prices and free delivery on eligible orders

louis xiv qui était le roi soleil geo fr - Aug 15 2023

web feb 20 2021 louis xiv 1638 1715 dit le roi soleil détient le record du plus long règne 72 ans durant sa minorité la régence est confiée à sa mère anne d autriche qui gouverne avec le cardinal mazarin

louis xiv le roi soleil the sun king youtube - Oct 05 2022

web découvrez l histoire de louis xiv à travers les œuvres des collections du château de versailles de sa naissance à sa mort en passant par la fronde ses

[les rois qui ont fait la france louis xiv le roi soleil](#) - Jul 02 2022

web les rois qui ont fait la france louis xiv le roi soleil biographie 6478 bordonove georges amazon com tr kitap

rois de france louis xiv le roi soleil épisode 1 2 2 - Jun 13 2023

web sep 12 2023 louis xiv est un roi adulé non seulement par sa cour mais aussi par ses maitresses qui l accompagnent à différents moments de son règne se suivant et se chevauchant rois de france louis

[louis xiv wikipedia](#) - Jul 14 2023

web louis xiv dit le grand ou le roi soleil né le 5 septembre 1638 au château neuf de saint germain en laye et mort le 1er septembre 1715 à versailles est un roi de france et de navarre son règne s étend du 14 mai 1643 sous la régence de sa mère anne d autriche jusqu au 7 septembre 1651 à sa mort en 1715

[louis xiv le roi soleil cours cm1 histoire et géographie](#) - Sep 04 2022

web pour surveiller les nobles les plus puissants et les empêcher de préparer des complots contre lui louis xiv les fait venir à la cour à versailles le palais abrite des milliers de personnes pour les impressionner le roi organise des spectacles des illuminations des banquets des fêtes

les rois qui ont fait la france louis xiv le roi soleil fnac - May 12 2023

web oct 5 2006 le plus long règne de l histoire de france les rois qui ont fait la france louis xiv le roi soleil georges bordonove pygmalion des milliers de livres avec la livraison chez vous en 1 jour ou en magasin avec 5 de réduction

[pourquoi louis xiv est appelé le roi soleil Éducation](#) - Jan 28 2022

web jan 16 2017 le 23 février 1653 louis xiv tient le rôle du soleil dans le ballet royal il porte un masque d or et prendra dès lors l astre solaire pour emblème le roi sera habité par le rôle divin qu il devait jouer 2 louis xiv veut instaurer une monarchie absolue un pouvoir qui ne s encombrerait point de la fronde parlementaire

le roi soleil superprof - Apr 30 2022

web Également connu sous le nom de roi soleil louis xiv renforce la monarchie qui devient monarchie absolue de droit divin le 13 avril 1655 le roi décrète 17 édits visant à renflouer les caisses de l État la légende raconte qu à cette occasion il aurait déclaré aux parlementaires réticents le célèbre mais contesté l État c est moi

[louis xiv le roi soleil les rois qui ont fait la pierre larousse](#) - Dec 27 2021

web enough money louis xiv le roi soleil les rois qui ont fait la and numerous book collections from fictions to scientific research in any way along with them is this louis xiv le roi soleil les rois qui ont fait la that can be your partner louis xiv georges bordonove 2013 02 15 il est l incarnation du grand siècle et de l apogée de la

justin trudeau is putting the liberal back in canadian foreign policy - Feb 26 2022

web oct 21 2015 justin trudeau is putting the liberal back in canadian foreign policy after nine years of stephen harper s neocon act a new inexperienced prime minister is going to dial back

what to know about canada and china s foreign interference row - Aug 03 2022

web mar 3 2023 bbc news toronto in recent months canadian media have released a steady drip of reports many based on leaked intelligence about detailed claims of chinese meddling in the country s last two

canada is back justin trudeau s foreign policy - May 12 2023

web nov 2 2017 colin robertson declaring that canada is back justin trudeau promised a constructive and compassionate foreign policy in 2015 then came donald trump in 2016 protectionist populist and unilateralist who presents the trudeau government with its biggest foreign policy challenge

canada politics relations current affairs foreign policy - Apr 30 2022

web u s president joe biden mexican president andrés manuel lópez obrador and canadian prime minister justin trudeau hug one another during the 2023 north american leaders summit at the

biden holds first foreign meeting with canada s justin trudeau - Jul 02 2022

web feb 24 2021 us president joe biden has spoken to canadian prime minister justin trudeau in his first bilateral meeting with a foreign leader since taking office the two leaders highlighted mutual

[a promise too far the justin trudeau government and](#) - Dec 27 2021

web may 13 2018 first online 13 may 2018 3220 accesses 8 citations 2 altmetric part of the canada and international affairs book series ciaf abstract canada is widely recognized as a global leader in human rights yet when indigenous peoples rights are included in its human rights record canada s reputation loses some of its luster

prime minister justin trudeau a foreign policy assessment - Jun 13 2023

web prime minister justin trudeau declared canada is back and promised a return to sunny ways upon winning a majority in the october 2015 federal election the son of pierre trudeau canada s third longest serving prime minister

[justin trudeau and canadian foreign policy google books](#) - Mar 10 2023

web may 12 2018 this book offers the first comprehensive analysis of canadian foreign policy under the government of justin trudeau with a concentration on the areas of climate change trade indigenous rights arms sales refugees military affairs and relationships with the united states and china at the book s core is trudeau s biggest

justin trudeau and canadian foreign policy springerlink - Jul 14 2023

web this book offers the first comprehensive analysis of canadian foreign policy under the government of justin trudeau with a concentration on the areas of climate change trade indigenous rights arms sales refugees military affairs and relationships with the united states and china

canada s feminist foreign policy the canadian encyclopedia - Jan 28 2022

web jul 31 2020 canada s feminist foreign policy in june 2017 justin trudeau s liberal government introduced its feminist international assistance policy fiap the fiap takes an explicitly feminist approach to canada s foreign policy and international

development to target gender equality and the empowerment of women and girls

justin trudeau and canadian foreign policy canada and - Dec 07 2022

web may 28 2018 this book offers the first comprehensive analysis of canadian foreign policy under the government of justin trudeau with a concentration on the areas of climate change trade indigenous rights arms sales refugees military affairs and relationships with the united states and china

the promise and perils of justin trudeau s foreign policy - Sep 04 2022

web may 13 2018 abstract justin trudeau s brand of internationalism which blends liberal idealism and interest based realism has worked well for canada in the past and stands to do so in the future he is well positioned to advance canada s interests while rallying international action to address specific global challenges however two perils loom

[foreign policy of the justin trudeau government wikipedia](#) - Aug 15 2023

web the foreign policy of justin trudeau is canada s foreign policy since justin trudeau became prime minister in november 2015 mélanie joly has served as the minister of foreign affairs since october 2021 trudeau s premiership has been marked with continued close relations with the united states

trudeau s foreign policy progressive rhetoric conventional policies - Oct 05 2022

web sep 25 2019 a reliable partner for europe europe s relationship with canada has intensified under trudeau including in the framework of the comprehensive economic and trade agreement ceta which has been provisionally applied since 2017 and the eu canada strategic partnership agreement

redefining canada s foreign policies policy options - Jun 01 2022

web jul 22 2019 the closest thing justin trudeau s liberals have to a foreign policy review is the speech minister of foreign affairs chrystia freeland presented in 2017 the principles it outlined echo previous iterations of canadian foreign policy as far back as 1947 when minister of external affairs louis st laurent outlined canada s values including

how immigrant friendly is canada foreign policy - Mar 30 2022

web august 28 2023 3 43 pm canadians like to think of their country as a nation built on immigration canada the story goes is a bastion of multiculturalism this narrative has been refined

canada among nations 2017 justin trudeau and canadian foreign policy - Feb 09 2023

web mar 19 2019 the accessible overviews of key issues in canadian foreign policy mean that this volume will likely maintain the series status as an effective entry point to the study of canadian foreign policy for students at many canadian universities

canada s undeclared foreign policy needs more focus former - Apr 11 2023

web feb 12 2021 canada s international aid budget is only about 6 billion a year which equalled 0 27 per cent of the country

s gross domestic income gdi in 2019 the oecd target for official development

canadian foreign policy institute - Nov 06 2022

web the canadian foreign policy institute informs people about the country s diplomatic aid intelligence and military policies abroad the cfpi opposes the racism embedded in canadian foreign policy the nonpartisan organization also monitors corporate canada s international activities

justin trudeau and canadian foreign policy european - Jan 08 2023

web this book offers the first comprehensive analysis of canadian foreign policy under the government of justin trudeau with a concentration on the areas of climate change trade indigenous rights arms sales refugees military affairs and relationships with the united states and china at the book s core is trudeau s biggest and most unexpected