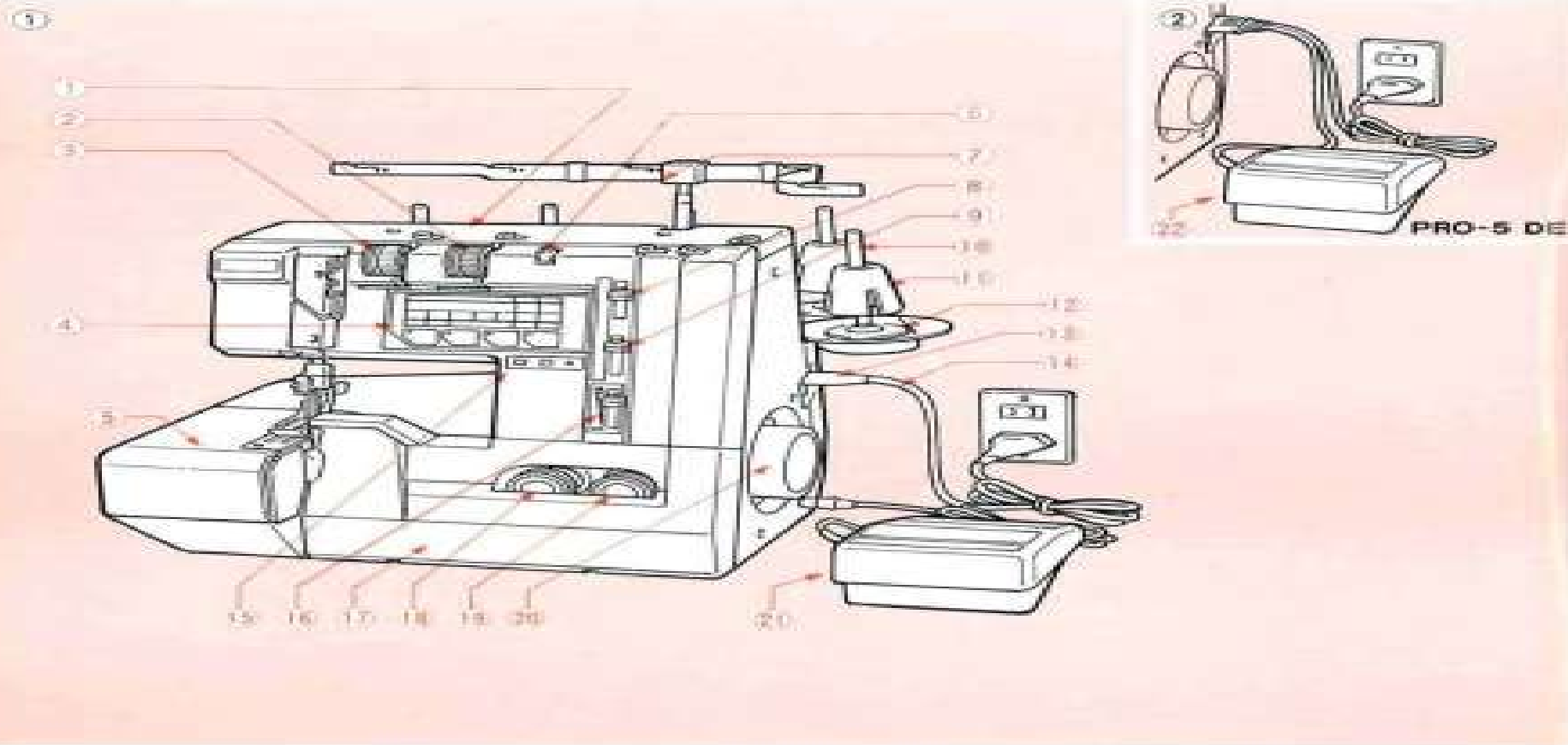


## PARTIES ESSENTIELLES

1. Poignée
2. Tension aiguille overlock (rouge)
3. Tension aiguille chaîne (bleu)
4. Guide de couture affiché sur ordinateur (PRO-5 DC)
5. Couvercle latéral
6. Levier de libération tension
7. Tige guide-fil
8. Bouton de réglage longueur de points
9. Bouton de réglage différentiel
10. Tige porte-bobine
11. Base support-bobine

12. Support-bobine
13. Interrupteur principal
14. Cordon connecteur (PRO-5 DC)
15. Clavier pour guide de couture (PRO-5 DC)
16. Réducteur de vitesse (PRO-5 DC)
17. Volet frontal
18. Tension bobineur supérieur (jaune)
19. Tension bobineur inférieur (vert)
20. Volant
21. Pédale (PRO-5 DC)
22. Pédale (PRO-5 DE)



## MAIN PARTS

1. Carrying grip
2. Overlock needle thread tension (red)
3. Chain stitch needle thread tension (blue)
4. Computer display sewing guide (PRO-5 DC)
5. Side cover
6. Tension release lever
7. Thread guide pins
8. Stitch length knob
9. Differential feed control knob
10. Spool pin
11. Spool holder

12. Spool pin base
13. Main switch
14. Mains connection (PRO-5 DC)
15. Keyboard for sewing guide (PRO-5 DC)
16. Speed reducer (PRO-5 DC)
17. Front flap
18. Upper looper thread tension (yellow)
19. Lower looper thread tension (green)
20. Flywheel
21. Foot control (PRO-5 DC)
22. Foot control (PRO-5 DE)

# Elna Lock Pro 5 Dc Serger Manual

**British Library**

The logo for the British Library, featuring a stylized red and white circular emblem.

**Elna Lock Pro 5 Dc Serger Manual:**

**Threads Magazine** ,1993      *Consumers Digest* ,1992  
Library,1961

**Subject Index of Modern Books Acquired** British

Recognizing the showing off ways to acquire this book **Elna Lock Pro 5 Dc Serger Manual** is additionally useful. You have remained in right site to start getting this info. acquire the Elna Lock Pro 5 Dc Serger Manual join that we offer here and check out the link.

You could buy lead Elna Lock Pro 5 Dc Serger Manual or get it as soon as feasible. You could speedily download this Elna Lock Pro 5 Dc Serger Manual after getting deal. So, gone you require the books swiftly, you can straight acquire it. Its for that reason totally simple and correspondingly fats, isnt it? You have to favor to in this heavens

<https://staging.conocer.cide.edu/book/uploaded-files/HomePages/Folk%20Art%20Projects%20North%20America.pdf>

## **Table of Contents Elna Lock Pro 5 Dc Serger Manual**

1. Understanding the eBook Elna Lock Pro 5 Dc Serger Manual
  - The Rise of Digital Reading Elna Lock Pro 5 Dc Serger Manual
  - Advantages of eBooks Over Traditional Books
2. Identifying Elna Lock Pro 5 Dc Serger Manual
  - Exploring Different Genres
  - Considering Fiction vs. Non-Fiction
  - Determining Your Reading Goals
3. Choosing the Right eBook Platform
  - Popular eBook Platforms
  - Features to Look for in an Elna Lock Pro 5 Dc Serger Manual
  - User-Friendly Interface
4. Exploring eBook Recommendations from Elna Lock Pro 5 Dc Serger Manual
  - Personalized Recommendations
  - Elna Lock Pro 5 Dc Serger Manual User Reviews and Ratings
  - Elna Lock Pro 5 Dc Serger Manual and Bestseller Lists
5. Accessing Elna Lock Pro 5 Dc Serger Manual Free and Paid eBooks

- Elna Lock Pro 5 Dc Serger Manual Public Domain eBooks
  - Elna Lock Pro 5 Dc Serger Manual eBook Subscription Services
  - Elna Lock Pro 5 Dc Serger Manual Budget-Friendly Options
6. Navigating Elna Lock Pro 5 Dc Serger Manual eBook Formats
    - ePub, PDF, MOBI, and More
    - Elna Lock Pro 5 Dc Serger Manual Compatibility with Devices
    - Elna Lock Pro 5 Dc Serger Manual Enhanced eBook Features
  7. Enhancing Your Reading Experience
    - Adjustable Fonts and Text Sizes of Elna Lock Pro 5 Dc Serger Manual
    - Highlighting and Note-Taking Elna Lock Pro 5 Dc Serger Manual
    - Interactive Elements Elna Lock Pro 5 Dc Serger Manual
  8. Staying Engaged with Elna Lock Pro 5 Dc Serger Manual
    - Joining Online Reading Communities
    - Participating in Virtual Book Clubs
    - Following Authors and Publishers Elna Lock Pro 5 Dc Serger Manual
  9. Balancing eBooks and Physical Books Elna Lock Pro 5 Dc Serger Manual
    - Benefits of a Digital Library
    - Creating a Diverse Reading Collection Elna Lock Pro 5 Dc Serger Manual
  10. Overcoming Reading Challenges
    - Dealing with Digital Eye Strain
    - Minimizing Distractions
    - Managing Screen Time
  11. Cultivating a Reading Routine Elna Lock Pro 5 Dc Serger Manual
    - Setting Reading Goals Elna Lock Pro 5 Dc Serger Manual
    - Carving Out Dedicated Reading Time
  12. Sourcing Reliable Information of Elna Lock Pro 5 Dc Serger Manual
    - Fact-Checking eBook Content of Elna Lock Pro 5 Dc Serger Manual
    - Distinguishing Credible Sources
  13. Promoting Lifelong Learning
    - Utilizing eBooks for Skill Development

- Exploring Educational eBooks
- 14. Embracing eBook Trends
  - Integration of Multimedia Elements
  - Interactive and Gamified eBooks

### **Elna Lock Pro 5 Dc Serger Manual Introduction**

In this digital age, the convenience of accessing information at our fingertips has become a necessity. Whether its research papers, eBooks, or user manuals, PDF files have become the preferred format for sharing and reading documents. However, the cost associated with purchasing PDF files can sometimes be a barrier for many individuals and organizations. Thankfully, there are numerous websites and platforms that allow users to download free PDF files legally. In this article, we will explore some of the best platforms to download free PDFs. One of the most popular platforms to download free PDF files is Project Gutenberg. This online library offers over 60,000 free eBooks that are in the public domain. From classic literature to historical documents, Project Gutenberg provides a wide range of PDF files that can be downloaded and enjoyed on various devices. The website is user-friendly and allows users to search for specific titles or browse through different categories. Another reliable platform for downloading Elna Lock Pro 5 Dc Serger Manual free PDF files is Open Library. With its vast collection of over 1 million eBooks, Open Library has something for every reader. The website offers a seamless experience by providing options to borrow or download PDF files. Users simply need to create a free account to access this treasure trove of knowledge. Open Library also allows users to contribute by uploading and sharing their own PDF files, making it a collaborative platform for book enthusiasts. For those interested in academic resources, there are websites dedicated to providing free PDFs of research papers and scientific articles. One such website is Academia.edu, which allows researchers and scholars to share their work with a global audience. Users can download PDF files of research papers, theses, and dissertations covering a wide range of subjects. Academia.edu also provides a platform for discussions and networking within the academic community. When it comes to downloading Elna Lock Pro 5 Dc Serger Manual free PDF files of magazines, brochures, and catalogs, Issuu is a popular choice. This digital publishing platform hosts a vast collection of publications from around the world. Users can search for specific titles or explore various categories and genres. Issuu offers a seamless reading experience with its user-friendly interface and allows users to download PDF files for offline reading. Apart from dedicated platforms, search engines also play a crucial role in finding free PDF files. Google, for instance, has an advanced search feature that allows users to filter results by file type. By specifying the file type as "PDF," users can find websites that offer free PDF downloads on a specific topic. While downloading Elna Lock Pro 5 Dc Serger Manual free PDF files is convenient, its important to note that copyright laws must be respected. Always ensure that the PDF files you download are

legally available for free. Many authors and publishers voluntarily provide free PDF versions of their work, but its essential to be cautious and verify the authenticity of the source before downloading Elna Lock Pro 5 Dc Serger Manual. In conclusion, the internet offers numerous platforms and websites that allow users to download free PDF files legally. Whether its classic literature, research papers, or magazines, there is something for everyone. The platforms mentioned in this article, such as Project Gutenberg, Open Library, Academia.edu, and Issuu, provide access to a vast collection of PDF files. However, users should always be cautious and verify the legality of the source before downloading Elna Lock Pro 5 Dc Serger Manual any PDF files. With these platforms, the world of PDF downloads is just a click away.

### **FAQs About Elna Lock Pro 5 Dc Serger Manual Books**

**What is a Elna Lock Pro 5 Dc Serger Manual PDF?** A PDF (Portable Document Format) is a file format developed by Adobe that preserves the layout and formatting of a document, regardless of the software, hardware, or operating system used to view or print it. **How do I create a Elna Lock Pro 5 Dc Serger Manual PDF?** There are several ways to create a PDF: Use software like Adobe Acrobat, Microsoft Word, or Google Docs, which often have built-in PDF creation tools. Print to PDF: Many applications and operating systems have a "Print to PDF" option that allows you to save a document as a PDF file instead of printing it on paper. Online converters: There are various online tools that can convert different file types to PDF. **How do I edit a Elna Lock Pro 5 Dc Serger Manual PDF?** Editing a PDF can be done with software like Adobe Acrobat, which allows direct editing of text, images, and other elements within the PDF. Some free tools, like PDFescape or Smallpdf, also offer basic editing capabilities. **How do I convert a Elna Lock Pro 5 Dc Serger Manual PDF to another file format?** There are multiple ways to convert a PDF to another format: Use online converters like Smallpdf, Zamzar, or Adobe Acrobats export feature to convert PDFs to formats like Word, Excel, JPEG, etc. Software like Adobe Acrobat, Microsoft Word, or other PDF editors may have options to export or save PDFs in different formats. **How do I password-protect a Elna Lock Pro 5 Dc Serger Manual PDF?** Most PDF editing software allows you to add password protection. In Adobe Acrobat, for instance, you can go to "File" -> "Properties" -> "Security" to set a password to restrict access or editing capabilities. Are there any free alternatives to Adobe Acrobat for working with PDFs? Yes, there are many free alternatives for working with PDFs, such as: LibreOffice: Offers PDF editing features. PDFsam: Allows splitting, merging, and editing PDFs. Foxit Reader: Provides basic PDF viewing and editing capabilities. How do I compress a PDF file? You can use online tools like Smallpdf, ILovePDF, or desktop software like Adobe Acrobat to compress PDF files without significant quality loss. Compression reduces the file size, making it easier to share and download. Can I fill out forms in a PDF file? Yes, most PDF viewers/editors like Adobe Acrobat, Preview (on Mac), or various online tools allow you to fill out forms in PDF files by

selecting text fields and entering information. Are there any restrictions when working with PDFs? Some PDFs might have restrictions set by their creator, such as password protection, editing restrictions, or print restrictions. Breaking these restrictions might require specific software or tools, which may or may not be legal depending on the circumstances and local laws.

**Find Elna Lock Pro 5 Dc Serger Manual :**

[folk art projects north america](#)

**focus on algebra an integrated approach addison-wesley secondary math**

[fodors europe 1995 the most complete and up to date guide to 31 countries](#)

[focus on physical science teacher resource; unit onelet](#)

~~foardes free-verse frontier featuring fotos~~

*fodors fun in san francisco*

[flyboy action figure comes with gasmask](#)

*fluids and electrolytes*

~~fodors german 1988~~

**flusterwitze aus dem tausendjahrigen reich**

[foil fencing wcb sports and fitness series](#)

[folk songs of north america](#)

[flying dragon and dancing phoenix an introduction to selected chinese minority folk dances](#)

[focus on travel creating memorable photographs of journeys to new places](#)

*folk arts crafts of new england*

**Elna Lock Pro 5 Dc Serger Manual :**

Night of the Spadefoot Toads About this Story. This satisfying story explores the powerful impact of our actions on the world around us. When his father takes a new job in Massachusetts, ... Night of the Spadefoot Toads Book by Bill Harley Night of the Spadefoot Toads by Bill Harley is a captivating story about the importance of conservation and the beauty of the natural world. Night of the Spadefoot Toads: Harley, Bill An inspiring story of intergenerational friendship, activism, and how our actions can drastically impact our environment. When his father takes a new job in ... Night of the Spadefoot Toads A beloved exploration of important environmental themes, this appealing middle grade novel comes from renowned storyteller and two-



time Grammy Award winner Bill ... Night of the Spadefoot Toads by Bill Harley An inspiring story of intergenerational friendship, activism, and how our actions can drastically impact our environment. When his father takes a new job in ... Night of the Spadefoot Toads by Bill Harley An inspiring story of intergenerational friendship, activism, and how our actions can drastically impact our environment. When his father takes a new job in ... Night of the Spadefoot Toads (Paperback) - Bill Harley Store When his father takes a new job in Massachusetts, Ben Moroney must leave behind his best friend Tony, a western banded gecko named Lenny, and worst of all, ... Night of the Spadefoot Toads by Bill Harley A classroom favorite! An inspiring story of intergenerational friendship, activism, and how our actions can drastically impact our environment. NIGHT OF THE SPADEFOOT TOADS Unfolding in mid-1980s Sacramento, California, this story stars 12-year-olds Rosalind and Benjamin as first-person narrators in alternating chapters. Ro's ... The 7 Secrets of World Class Athletes by Yellin, Steven Great book about controlling your brain thought process to become a great athlete in any sport including golf. The only issue I had with the book is it ... The 7 Secrets of World Class Athletes by Steven Yellin ... This is a brilliant book. It ties together much of what I've surmised about superior performance and what contributes to it. In addition, the book also sheds ... The 7 Secrets of World Class Athletes The 7 Secrets of World Class Athletes takes you into the minds of super-star athletes when they are on top of their game. The fascinating concept is that ... The 7 Secrets of World Class Athletes The 7 Secrets of World Class Athletes takes you into the minds of super-star athletes when they are on top of their game. The fascinating concept is that. The 7 Secrets of World Class Athletes - Yellin, Steven The 7 Secrets of World Class Athletes takes you into the minds of super-star athletes when they are on top of their game. The fascinating concept is that ... The 7 Secrets of World Class Athletes The 7 Secrets of World Class Athletes takes you into the minds of super-star athletes when they are on top of their game. The fascinating concept is that ... The 7 Secrets of World Class Athletes, Biancalana, Budd Author: Biancalana, Buddy. The 7 Secrets of World Class Athletes. Book Binding: Paperback / softback. Book Condition: GOOD. Year Published: 0630. The 7 secrets of world class athletes : Yellin, Steven, author Apr 14, 2021 — 192 pages ; 21 cm. First secret: The fluid motion factor -- Second secret: Sports as a series of gaps -- Third secret: The quality of the ... The 7 Secrets of World Class Athletes Synopsis: The 7 Secrets of World Class Athletes takes you into the minds of super-star athletes when they are on top of their game. The fascinating concept is ... The 7 Secrets of World Class Athletes by Buddy Biancalana The 7 Secrets of World Class Athletes by Buddy Biancalana: New ; Item Number. 363415436080 ; Publication Date. 2010-06-30 ; Pages. 198 ; Accurate description. 4.9. TGB BLADE 250 SERVICE MANUAL Pdf Download View and Download TGB BLADE 250 service manual online. TAIWAN GOLDEN BEE ATV. BLADE 250 offroad vehicle pdf manual download. Tgb BLADE 250 Manuals Manuals and User Guides for TGB BLADE 250. We have 2 TGB BLADE 250 manuals available for free PDF download: Service Manual · 2. Maintenance Information · 3. TGB Blade 250 Service Manual | PDF | Carburetor | Motor Oil This service manual contains the technical data of each component inspection and repair for the BLADE 250 ATV. The manual is shown with illustrations

and ... TGB Blade 250 ATV Service Manual TGB Blade 250 ATV Service Manual ; Quantity. 2 available ; Item Number. 165626668714 ; Charity. 1.0% will support The Young Center for Immigrant Childrens Rights. SERVICE MANUAL Jan 4, 2021 — This service manual contains the technical data of each component inspection and repairs for the. ATV. The manual is shown with illustrations ... Pin on TGB May 24, 2020 — This is the COMPLETE Service Repair Manual for the TGB Blade 250 ATV. It Covers complete tear down and rebuild, pictures and part diagrams, ... Tgb Blade 250 Atv Service Repair Manual Tgb Blade 250 Atv repair manual download. Type: PDF, zipped size: 6.98MB. Comes with highly detailed illustrations and step by step instructions. TGB Blade 250 300 Electronic Service Manual English ... This is Electronic service manual for for English version only, after you made an order, please provide your valid email for receiving the service manual. If ... TGB Quad & Atv (250, 325, 425) - Service Manual - YouTube