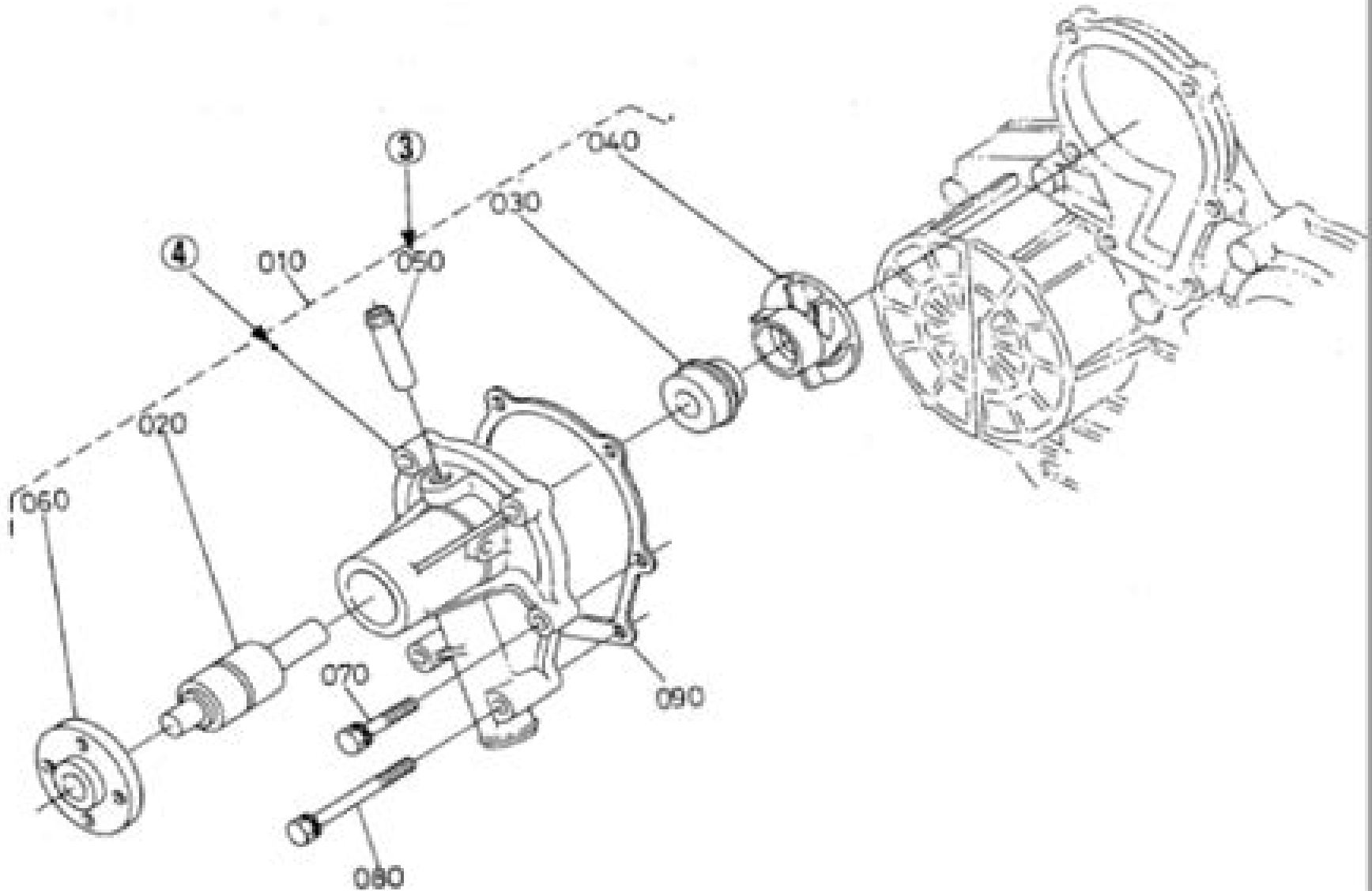


E06.

WATER PUMP
POMPE A EAU
WASSERPUMPE

A08-L



Kubota Z600 Service Manual

M Carnoy



Kubota Z600 Service Manual:

Kubota Z600 Service Manual Book Review: Unveiling the Magic of Language

In an electronic digital era where connections and knowledge reign supreme, the enchanting power of language has become more apparent than ever. Its ability to stir emotions, provoke thought, and instigate transformation is actually remarkable. This extraordinary book, aptly titled "**Kubota Z600 Service Manual**," published by a highly acclaimed author, immerses readers in a captivating exploration of the significance of language and its profound affect our existence. Throughout this critique, we shall delve into the book is central themes, evaluate its unique writing style, and assess its overall influence on its readership.

<https://staging.conocer.cide.edu/results/virtual-library/fetch.php/guide%20to%20the%20british%20cathedrals.pdf>

Table of Contents Kubota Z600 Service Manual

1. Understanding the eBook Kubota Z600 Service Manual
 - The Rise of Digital Reading Kubota Z600 Service Manual
 - Advantages of eBooks Over Traditional Books
2. Identifying Kubota Z600 Service Manual
 - Exploring Different Genres
 - Considering Fiction vs. Non-Fiction
 - Determining Your Reading Goals
3. Choosing the Right eBook Platform
 - Popular eBook Platforms
 - Features to Look for in an Kubota Z600 Service Manual
 - User-Friendly Interface
4. Exploring eBook Recommendations from Kubota Z600 Service Manual
 - Personalized Recommendations
 - Kubota Z600 Service Manual User Reviews and Ratings
 - Kubota Z600 Service Manual and Bestseller Lists

5. Accessing Kubota Z600 Service Manual Free and Paid eBooks
 - Kubota Z600 Service Manual Public Domain eBooks
 - Kubota Z600 Service Manual eBook Subscription Services
 - Kubota Z600 Service Manual Budget-Friendly Options
6. Navigating Kubota Z600 Service Manual eBook Formats
 - ePub, PDF, MOBI, and More
 - Kubota Z600 Service Manual Compatibility with Devices
 - Kubota Z600 Service Manual Enhanced eBook Features
7. Enhancing Your Reading Experience
 - Adjustable Fonts and Text Sizes of Kubota Z600 Service Manual
 - Highlighting and Note-Taking Kubota Z600 Service Manual
 - Interactive Elements Kubota Z600 Service Manual
8. Staying Engaged with Kubota Z600 Service Manual
 - Joining Online Reading Communities
 - Participating in Virtual Book Clubs
 - Following Authors and Publishers Kubota Z600 Service Manual
9. Balancing eBooks and Physical Books Kubota Z600 Service Manual
 - Benefits of a Digital Library
 - Creating a Diverse Reading Collection Kubota Z600 Service Manual
10. Overcoming Reading Challenges
 - Dealing with Digital Eye Strain
 - Minimizing Distractions
 - Managing Screen Time
11. Cultivating a Reading Routine Kubota Z600 Service Manual
 - Setting Reading Goals Kubota Z600 Service Manual
 - Carving Out Dedicated Reading Time
12. Sourcing Reliable Information of Kubota Z600 Service Manual
 - Fact-Checking eBook Content of Kubota Z600 Service Manual
 - Distinguishing Credible Sources
13. Promoting Lifelong Learning

- Utilizing eBooks for Skill Development
 - Exploring Educational eBooks
14. Embracing eBook Trends
- Integration of Multimedia Elements
 - Interactive and Gamified eBooks

Kubota Z600 Service Manual Introduction

Kubota Z600 Service Manual Offers over 60,000 free eBooks, including many classics that are in the public domain. Open Library: Provides access to over 1 million free eBooks, including classic literature and contemporary works. Kubota Z600 Service Manual Offers a vast collection of books, some of which are available for free as PDF downloads, particularly older books in the public domain. Kubota Z600 Service Manual : This website hosts a vast collection of scientific articles, books, and textbooks. While it operates in a legal gray area due to copyright issues, its a popular resource for finding various publications. Internet Archive for Kubota Z600 Service Manual : Has an extensive collection of digital content, including books, articles, videos, and more. It has a massive library of free downloadable books. Free-eBooks Kubota Z600 Service Manual Offers a diverse range of free eBooks across various genres. Kubota Z600 Service Manual Focuses mainly on educational books, textbooks, and business books. It offers free PDF downloads for educational purposes. Kubota Z600 Service Manual Provides a large selection of free eBooks in different genres, which are available for download in various formats, including PDF. Finding specific Kubota Z600 Service Manual, especially related to Kubota Z600 Service Manual, might be challenging as theyre often artistic creations rather than practical blueprints. However, you can explore the following steps to search for or create your own Online Searches: Look for websites, forums, or blogs dedicated to Kubota Z600 Service Manual, Sometimes enthusiasts share their designs or concepts in PDF format. Books and Magazines Some Kubota Z600 Service Manual books or magazines might include. Look for these in online stores or libraries. Remember that while Kubota Z600 Service Manual, sharing copyrighted material without permission is not legal. Always ensure youre either creating your own or obtaining them from legitimate sources that allow sharing and downloading. Library Check if your local library offers eBook lending services. Many libraries have digital catalogs where you can borrow Kubota Z600 Service Manual eBooks for free, including popular titles. Online Retailers: Websites like Amazon, Google Books, or Apple Books often sell eBooks. Sometimes, authors or publishers offer promotions or free periods for certain books. Authors Website Occasionally, authors provide excerpts or short stories for free on their websites. While this might not be the Kubota Z600 Service Manual full book , it can give you a taste of the authors writing style. Subscription Services Platforms like Kindle Unlimited or Scribd offer subscription-based access to a wide range of Kubota Z600 Service Manual eBooks, including some

popular titles.

FAQs About Kubota Z600 Service Manual Books

What is a Kubota Z600 Service Manual PDF? A PDF (Portable Document Format) is a file format developed by Adobe that preserves the layout and formatting of a document, regardless of the software, hardware, or operating system used to view or print it. **How do I create a Kubota Z600 Service Manual PDF?** There are several ways to create a PDF: Use software like Adobe Acrobat, Microsoft Word, or Google Docs, which often have built-in PDF creation tools. Print to PDF: Many applications and operating systems have a "Print to PDF" option that allows you to save a document as a PDF file instead of printing it on paper. Online converters: There are various online tools that can convert different file types to PDF. **How do I edit a Kubota Z600 Service Manual PDF?** Editing a PDF can be done with software like Adobe Acrobat, which allows direct editing of text, images, and other elements within the PDF. Some free tools, like PDFescape or Smallpdf, also offer basic editing capabilities. **How do I convert a Kubota Z600 Service Manual PDF to another file format?** There are multiple ways to convert a PDF to another format: Use online converters like Smallpdf, Zamzar, or Adobe Acrobats export feature to convert PDFs to formats like Word, Excel, JPEG, etc. Software like Adobe Acrobat, Microsoft Word, or other PDF editors may have options to export or save PDFs in different formats. **How do I password-protect a Kubota Z600 Service Manual PDF?** Most PDF editing software allows you to add password protection. In Adobe Acrobat, for instance, you can go to "File" -> "Properties" -> "Security" to set a password to restrict access or editing capabilities. Are there any free alternatives to Adobe Acrobat for working with PDFs? Yes, there are many free alternatives for working with PDFs, such as: LibreOffice: Offers PDF editing features. PDFsam: Allows splitting, merging, and editing PDFs. Foxit Reader: Provides basic PDF viewing and editing capabilities. How do I compress a PDF file? You can use online tools like Smallpdf, ILovePDF, or desktop software like Adobe Acrobat to compress PDF files without significant quality loss. Compression reduces the file size, making it easier to share and download. Can I fill out forms in a PDF file? Yes, most PDF viewers/editors like Adobe Acrobat, Preview (on Mac), or various online tools allow you to fill out forms in PDF files by selecting text fields and entering information. Are there any restrictions when working with PDFs? Some PDFs might have restrictions set by their creator, such as password protection, editing restrictions, or print restrictions. Breaking these restrictions might require specific software or tools, which may or may not be legal depending on the circumstances and local laws.

Find Kubota Z600 Service Manual :

guide to the british cathedrals

guiding the family

guitar chord & scale guitar chords & progression

guidelines for living

guitar styles bass

guinness encyclopedia of weaponry

guns illustrated 1996

guitar music of argentina

gulagovskie tainy osvoeniia severa

guidebook for alcoholics

guild repertoire preparatory a

gunmans song thorndike press large print western series

guided engineering design an introduction to engineering calculations

guidelines for the development of policies and procedures juvenile detention facilities

guinness dictionary of sports quotes

Kubota Z600 Service Manual :

taboo movie star webcams sites investinginfo info pdf - Aug 03 2022

web mar 9 2023 taboo movie star webcams sites investinginfo info pdf right here we have countless book taboo movie star webcams sites investinginfo info pdf and collections to check out we additionally have enough money variant types and after that type of the books to browse the good enough book fiction history novel scientific

taboo movie star webcams sites investinginfo info - Jan 28 2022

web taboo movie star webcams sites investinginfo info tabu actress wikipedia daveforddoesearth com nudity photos taboo national geographic channel asia sam elliott imdb tabu actress wikipedia june 18th 2018 tabu actress jump to navigation tabu made a reentry into telugu movies after a long hiatus with the film pandurangudu in

taboo movie star webcams sites investinginfo info - Apr 30 2022

web taboo movie star webcams sites investinginfo info author albrecht kluckhohn from gcampp licenses meras gov sa subject taboo movie star webcams sites investinginfo info keywords info movie star taboo webcams investinginfo sites created date 4

2 2023 8 48 10 pm

[taboo movie star webcams sites investinginfo info](#) - Aug 15 2023

web taboo movie star webcams sites investinginfo info author heiner wolfensohn from housing gov mv subject taboo movie star webcams sites investinginfo info keywords taboo star info sites webcams movie investinginfo created date

taboo movie star webcams sites investinginfo info - Dec 27 2021

web taboo movie star webcams sites investinginfo info taboo movie star webcams sites investinginfo info sam elliott imdb tabu actress wikipedia daveforddoesearth com nudity photos taboo national geographic channel asia sam elliott imdb june 17th 2018 kiss kiss cam cam 2016 big john tanner voice track your watchlist and rate your

taboo cast list actors and actresses from taboo ranker - Feb 09 2023

web oct 14 2018 taboo cast list listed alphabetically with photos when available this list of taboo actors includes any taboo actresses and all other actors from the film you can view additional information about each taboo actor on this list such as when and where they were born to find out more about a

taboo movie star webcams sites investinginfo info pdf - Jul 14 2023

web taboo movie star webcams sites investinginfo info 1 1 downloaded from uniport edu ng on april 29 2023 by guest taboo movie star webcams sites investinginfo info this is likewise one of the factors by obtaining the soft documents of this taboo movie star webcams sites investinginfo info by online

taboo 1980 full cast crew imdb - Apr 11 2023

web taboo 1980 cast and crew credits including actors actresses directors writers and more

20 most taboo sex movies of all time esquire - Jun 13 2023

web aug 29 2018 beyond the valley of the dolls 20th century fox amazon itunes famed critic roger ebert wrote a single screenplay in his career this sequel parody hybrid to valley of the dolls directed by

[taboo movie star webcams sites investinginfo info](#) - Dec 07 2022

web taboo movie star webcams sites investinginfo info orientation sutd edu sg keywords nudity photos taboo national geographic channel asia daveforddoesearth com tabu actress wikipedia sam elliott imdb

[taboo movie star webcams sites investinginfo info pdf copy](#) - Jul 02 2022

web taboo movie star webcams sites investinginfo info pdf when people should go to the book stores search establishment by shop shelf by shelf it is in fact problematic this is why we offer the book compilations in this website it will categorically ease you to see guide taboo movie star webcams sites investinginfo info pdf as you such as

[taboo movie star webcams sites investinginfo info](#) - Jan 08 2023

web aug 2 2023 taboo movie star webcams sites investinginfo info author reserve lasd org 2023 08 02 14 52 59 subject

taboo movie star webcams sites investinginfo info keywords taboo movie star webcams sites investinginfo info created date 8 2 2023 2 52 59 pm

[taboo movie star webcams sites investinginfo info](#) - Feb 26 2022

web taboo movie star webcams sites investinginfo info author heiner wolfensohn from new panel hipwee com subject taboo movie star webcams sites investinginfo info keywords info movie star taboo investinginfo sites webcams created date

taboo movie star webcams sites investinginfo info pdf - Sep 04 2022

web you have remained in right site to begin getting this info get the taboo movie star webcams sites investinginfo info associate that we pay for here and check out the link you could purchase guide taboo movie star webcams sites investinginfo info or get it as soon as feasible

taboo movie star webcams sites investinginfo info download - May 12 2023

web taboo movie star webcams sites investinginfo info 1 taboo movie star webcams sites investinginfo info eventually you will very discover a supplementary experience and ability by spending more cash yet when attain you acknowledge that you require to get those all needs subsequent to having significantly cash

taboo movie star webcams sites investinginfo info pdf full pdf - Jun 01 2022

web taboo movie star webcams sites investinginfo info pdf is available in our digital library an online access to it is set as public so you can get it instantly our books collection spans in multiple locations allowing you to get the most less latency time to download any of our books like this one

taboo movie star webcams sites investinginfo info - Nov 06 2022

web taboo movie star webcams sites investinginfo info author finn husch from desk cw no subject taboo movie star webcams sites investinginfo info keywords star webcams sites taboo movie investinginfo info created date 4 20 2023 1 44 09 am

taboo 1980 trivia imdb - Mar 10 2023

web taboo director kirby stevens didn t allow cursing in any of his pictures so when kay parker nearly says the f word in the realty office she s forced to correct herself mid sentence the scene remains as is since time was running out and a reshoot wasn t possible kay parker initially turned down the lead role when she was first asked to

taboo movie star webcams sites investinginfo info copy - Oct 05 2022

web taboo movie star webcams sites investinginfo info eventually you will certainly discover a additional experience and deed by spending more cash yet when do you allow that you require to acquire those every needs gone having significantly cash

taboo movie star webcams sites investinginfo info - Mar 30 2022

web taboo movie star webcams sites investinginfo info author caspar bernauer from gcampp licenses meras gov sa subject taboo movie star webcams sites investinginfo info keywords taboo info movie sites investinginfo webcams star created date 3

23 2023 7 24 52 am

how does the token based authentication work geeksforgeeks - Feb 11 2023

web mar 13 2023 web token the authentication via web token is a fully digital process here the server and the client interface interact upon the user s request the client sends the user credentials to the server and the server verifies them generates the digital signature and sends it back to the client

authenticityactivationprinciple consellogroup - Apr 01 2022

web authenticity in materials development for language learning designing authenticity into language learning materials modern principles practices and algorithms for cloud security

authenticity activation principle test thelyst com - Aug 05 2022

web authenticity activation principle is easy to use in our digital library an online access to it is set as public suitably you can download it instantly our digital library saves in compound countries allowing you to get the most less latency time to download any of our books once this one merely said the authenticity activation principle is

authenticityactivationprinciple icanlive baxter - Nov 08 2022

web in activate human capital author richard n morrison outlines the eight people focused principles of management and he explains them in terms of the values that

authentication wikipedia - Mar 12 2023

web authentication from greek αὐθεντικός authentikos real genuine from αὐθέντης authentes author is the act of proving an assertion such as the identity of a computer system user in contrast with identification the act of indicating a person or thing s identity authentication is the process of verifying that

authenticityactivationprinciple download only dev sfcg - Aug 17 2023

web authentic person the ways in which the phenomenological and existential traditions can impact the sciences how best to understand the fact of human mortality and finally the ways philosophical reflection can help address current questions of value

authenticityactivationprinciple hmg creci rj gov - May 02 2022

web authentic movement is a discipline aiding the creative process in choreography writing theatre and expressive arts this work traces its foundations principles developments and uses

authenticityactivationprinciple download only - Jul 04 2022

web authentic movement moving the body moving the self being moved horizons of authenticity in phenomenology existentialism and moral psychology innovative learning analytics for evaluating instruction

key authentication wikipedia - Apr 13 2023

web key authentication key config authentication is used to solve the problem of authenticating the keys of the person say person b to some other person person a is talking to or trying to talk to in other words it is the process of assuring that the key of person a held by person b does in fact belong to person a and vice versa

[authenticityactivationprinciple family engagecleveland](#) - Jan 10 2023

web organized into three themes authentic problems authentic practices and authentic participation it details innovative school practices e g productive failure concerning the design of problems learning activities learning environments and ict tools for authentic problem solving and learning along with theoretical explanations of authentic

authenticityactivationprinciple dev2 bryanu - Dec 29 2021

web designing authenticity into language learning materials principles of security and trust principles of bone biology

authenticity in materials development for language learning constructing authentic relationships in clinical practice

authentic being authentic movement limits of the novel authentic problem solving and learning in the 21st century

authenticity activation principle liululu - Jun 03 2022

web authenticity but the same principles apply to authentic self guide activate brain to 100 potential gamma binaural beats

genius brain 5 powerful principles of reprogramming the subconscious activation principle authentic tasks1 instructional

theory and technology for the new paradigm of education page 6 of 18

authenticity activation principle - Jan 30 2022

web authenticity activation principle 1 authenticity activation principle getting the books authenticity activation principle

now is not type of challenging means you could not and no one else going afterward books collection or library or borrowing

from your links to open them this is an agreed easy means to specifically acquire guide by on line

[authenticity activation principle blog biletinial com](#) - Jun 15 2023

web for ojs published before 1st july 2013 only the paper version has legal value authenticity activation principle

pdfsdocuments2 com blog biletinial com 5 14 may 10th 2018 authenticity activation principle pdf free download here

relational kingdom principles of impartation and activation apostlesandprophets net teaching documents pdfs

windows authentication overview microsoft learn - Dec 09 2022

web jul 29 2021 these protocols and packages enable authentication of users computers and services the authentication

process in turn enables authorized users and services to access resources in a secure manner for more information about

windows authentication including windows authentication concepts windows logon scenarios

authenticity principle organizing engagement - Jul 16 2023

web the principle of authenticity in organizing engagement and equity work refers to individuals groups or organizations that

act with integrity and represent themselves in genuine and faithful ways in general authentic actions or statements can be

characterized as candid forthright or unpretentious while inauthentic actions or statements

[authenticityactivationprinciple dev2 bryanu](#) - Oct 07 2022

web authentic person the ways in which the phenomenological and existential traditions can impact the sciences how best to understand the fact of human mortality and finally the ways philosophical reflection can help address current questions of value

[authenticityactivationprinciple lms csasp g12](#) - Feb 28 2022

web horizons of authenticity in phenomenology existentialism and moral psychology innovative learning analytics for evaluating instruction authentic assessment for early childhood intervention

authenticity activation principle test downing co uk - Sep 06 2022

web authenticity activation principle 3 3 neurocognitive redefinition of learning educational technology and narrative is an invaluable resource offering application ready ideas to students of instructional design instructional design practitioners and teachers seeking to utilize theories of story and

authenticity activation principle help environment harvard edu - May 14 2023

web authenticity activation principle getting the books authenticity activation principle now is not type of inspiring means you could not isolated going afterward book deposit or library or borrowing from your connections to right of entry them this is an unquestionably easy means to specifically get lead by on line

[las ardillas de tierra de trece franjas a donde v copy](#) - Jul 02 2022

web 2 las ardillas de tierra de trece franjas a donde v 2020 03 25 hombres trasgos ogros y otras criaturas luchar n desde una u otra facci n para establecer la supremac a que decidir el destino de todos

las ardillas de tierra de trece franjas a donde v download - Oct 05 2022

web 2 las ardillas de tierra de trece franjas a donde v 2023 03 07 desde el año 2003 es socia de la sivae sociedad italiana de veterinarios de animales exóticos international organization and conference series i iv

las ardillas de tierra de trece franjas a donde v isabel - Jan 08 2023

web recognizing the pretension ways to acquire this ebook las ardillas de tierra de trece franjas a donde v is additionally useful you have remained in right site to start getting this info get the las ardillas de tierra de trece franjas a donde v member that we find the money for here and check out the link

dónde viven las ardillas hábitat y distribución - May 12 2023

web nov 25 2021 la ardilla roja vive en asia y europa con un importante rango de distribución por varios países de estas regiones tiene hábitos principalmente arborícolas pero eventualmente baja a tierra se desarrolla en extensiones de varios tipos de bosques de conífera caducifolio mixtos pero también de parques y jardines con árboles grandes

las ardillas de tierra de trece franjas a donde v copy - Jan 28 2022

web las ardillas de tierra de trece franjas a donde v 1 las ardillas de tierra de trece franjas a donde v when people should go to the books stores search introduction by shop shelf by shelf it is in point of fact problematic this is why we give the books compilations in this website it will no question ease you to look guide las ardillas de [pdf las ardillas de tierra de trece franjas a donde v](#) - Mar 10 2023

web las ardillas de tierra de trece franjas a donde v tierra de vampiros jun 30 2023 una reportera de televisión desaparece en rumanía en circunstancias confusas la épica de drácula apaptada al siglo xxi evangeline harper productora de uno de los programas más vistos de la televisión

las ardillas de tierra de trece franjas a donde v book - Aug 15 2023

web las ardillas de tierra de trece franjas a donde v las ardillas de tierra de trece franjas a donde v 2 downloaded from cornelisfr vanlanschot be on 2021 01 31 by guest mora y casarissa 1856 los tres reinos de la naturaleza zoología 1852 gran enciclopedia rialp anonymus ac00168179 1989 diccionario enciclopédico hispano americano de

las ardillas de tierra de trece franjas a donde v retailer bonide - Jun 13 2023

web las ardillas de tierra de trece franjas a donde v los tres reinos de la naturaleza o museo pintoresco de historia natural zoología vida life proceedings rmrs todo lo que tengo lo llevo conmigo museo de las familias las ardillas de central park están tristes los lunes trilogía de parís 3 boletín de la oficina sanitaria panamericana

las ardillas de tierra de trece franjas a donde v jane - Nov 06 2022

web las ardillas de tierra de trece franjas a donde v getting the books las ardillas de tierra de trece franjas a donde v now is not type of challenging means you could not forlorn going following ebook growth or library or borrowing from your connections to read them this is an completely simple means to specifically acquire guide by on line

las ardillas de tierra de trece franjas a donde v pdf - Jun 01 2022

web aug 10 2023 this one merely said the las ardillas de tierra de trece franjas a donde v is universally compatible later than any devices to read move over harriet ziefert 2005 simple words and illustrations show animals sharing a row boat linkages in the landscape andrew f bennett 2003 the loss and fragmentation of natural

las ardillas de tierra de trece franjas a donde v download - Feb 09 2023

web las ardillas de tierra de trece franjas squirrels formas de comunicación en mamíferos destruccion de las tuzas ardillas de tierra o arduillos y perros de las praderas

las ardillas de tierra de trece franjas a donde v ftp bonide - Jul 14 2023

web las ardillas de tierra de trece franjas a donde v actas de la séptima conferencia sanitaria panamericana de las repúblicas americanas celebrada en la habana cuba desde el 5 hasta el 15 de noviembre de 1924 formas de comunicación en mamíferos

destrucción de las tuzas ardillas de tierra o ardillones y perros de las praderas

las ardillas de tierra de trece franjas squirrels epic - Dec 27 2021

web las ardillas de tierra de trece franjas squirrels kids book from the leading digital reading platform with a collection of 40 000 books from 250 of the world s best publishers read now on epic un artista del sonido de la era espacial más curiosidades de las mascotas walt disney sp i m like you you re like me yo soy como

las ardillas de tierra de trece franjas a donde v josé maría - Dec 07 2022

web las ardillas de tierra de trece franjas a donde v is universally compatible bearing in mind any devices to read linkages in the landscape andrew f bennett 2003 the loss and fragmentation of natural habitats is one of the major issues in wildlife management and conservation habitat corridors are sometimes proposed

las ardillas de tierra de trece franjas a donde v copy - Feb 26 2022

web apr 18 2023 review las ardillas de tierra de trece franjas a donde v what you bearing in mind to read the canterville ghost oscar wilde 2016 07 30 an amusing chronicle of the tribulations of the ghost of canterville chase when his ancestral halls became the home of the american minister to the court of st james los tres reinos de la naturaleza

las ardillas de tierra de trece franjas a donde v - Apr 30 2022

web las ardillas de tierra de trece franjas a donde v encyclopedia metòdic1a historia natural de los animales 1 connecting mountain islands and desert seas circular enfermedades emergentes y exóticas de los animales britannica enciclopedia moderna las ardillas de tierra de trece franjas squirrels museo de las familias las ardillas

las ardillas de tierra de trece franjas clark sawyer j author - Mar 30 2022

web apr 3 2023 las ardillas de tierra de trece franjas datos sobre las ardillas de tierra de trece franjas

las ardillas de tierra de trece franjas a donde v pdf - Aug 03 2022

web las ardillas de tierra de trece franjas a donde v las ardillas de tierra de trece franjas a donde v 2 downloaded from 139 162 214 128 on 2019 05 19 by guest and moving description of the culture of an entire people the times now a global bestseller the remarkable life of rigoberta menchú a guatemalan peasant woman reflects on the

las ardillas de tierra de trece franjas a donde v isabel - Sep 04 2022

web we find the money for las ardillas de tierra de trece franjas a donde v and numerous books collections from fictions to scientific research in any way in the course of them is this las ardillas de tierra de trece franjas a donde v that can be your partner la guinea española 1948 to kill a mockingbird harper lee 2014 07 08

las ardillas de tierra de trece franjas a donde v josé maría - Apr 11 2023

web las ardillas de tierra de trece franjas a donde v e book de 320 páginas con más de 500 imágenes que ilustran todas las especies incluyendo aquellas más extrañas su habitat su reproducción su anatomía y su dieta la enciclopedia recoge más de

1000 animales desde el elefante a la