



Bookmarks

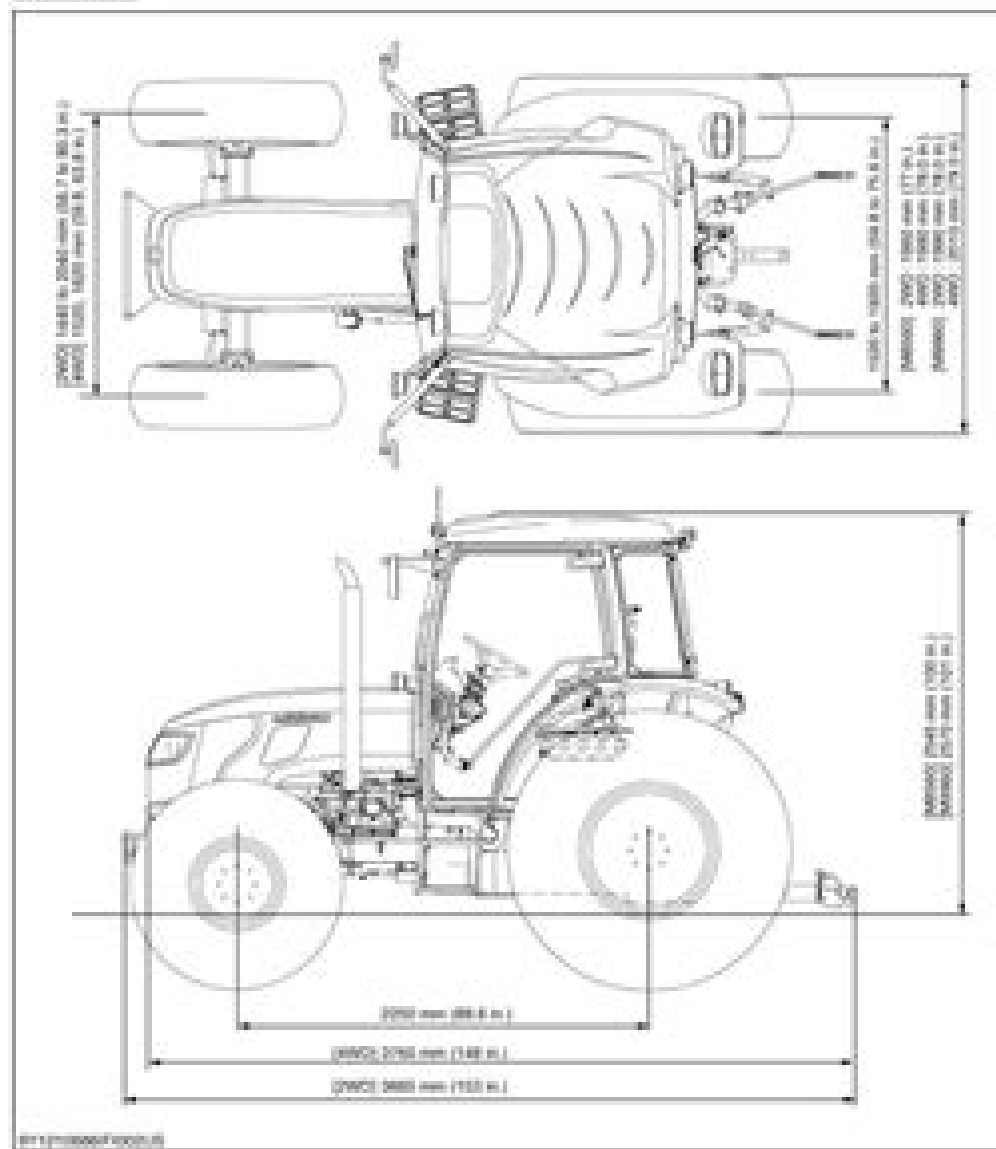
M8560LM9960

- TO THE READER
- > 1 INFORMATION
- > 2 GENERAL
- > 3 ENGINE
- > 4 TRANSMISSION
- > 5 REAR AXLE
- > 6 BRAKES
- > 7 FRONT AXLE
- > 8 STEERING
- > 9 HYDRAULIC SYSTEM
- > 10 ELECTRICAL SYSTEM
- > 11 CABIN
- ELECTRIC CIRCUIT

M8560LM9960

INFORMATION

CABIN Model



Kubota Tractor Workshop Manual

Didier Musso



Kubota Tractor Workshop Manual:

Kubota Lawn Tractor. Model T1400, T1400H Workshop Manual Kubota Tekkō Kabushiki Kaisha,198? Chilton's Tractor Repair Manual ,1981 Specifications Tune ups Step by Step Parts Replacement **Light Utility Tractor Service Manual** ,1975 Certain Agricultural Tractors under 50 Power Take-off Horsepower, Inv. 337-TA-380 , *Implement & Tractor Red Book* ,1980 **In the Matter of Certain Agricultural Tractors Under 50 Power Take-off Horsepower** United States International Trade Commission,1997 **The EBay Price Guide** Julia L. Wilkinson,2006 Provides lists of selling prices of items found on eBay in such categories as antiques boats books cameras coins collectibles dolls DVDs real estate stamps tickets and video games British Power Farmer and Agricultural Engineer ,1987 *New Technical Books* New York Public Library,1976 **Cars & Parts** ,1997 Farm Journal and Country Gentleman ,1984 *Farmers and Consumers Market Bulletin* ,2010 **USITC Publication** ,1997 Lawyers Desk Reference ,2001 **Union Agriculturist and Western Prairie Farmer** ,1997-09 **Kubota Shop Manual** Penton Staff,2000-05-24 Models L175 L210 L225 L225DT L260 Models B5100D B5100E B6100D B6100E B6100HST D B6100HST E B7100D B7100HST D B7100HST E Models L185 L235 L245 L275 L285 L295 L305 L345 L355 *Progressive Farmer* ,2001 The Publishers' Trade List Annual ,1985 **Power Farming in Australia and New Zealand Technical Manual** ,1986 *Wallace's Farmer* ,2012

As recognized, adventure as capably as experience nearly lesson, amusement, as skillfully as union can be gotten by just checking out a ebook **Kubota Tractor Workshop Manual** as well as it is not directly done, you could agree to even more on the order of this life, with reference to the world.

We have enough money you this proper as well as simple exaggeration to acquire those all. We give Kubota Tractor Workshop Manual and numerous books collections from fictions to scientific research in any way. among them is this Kubota Tractor Workshop Manual that can be your partner.

<https://staging.conocer.cide.edu/About/book-search/HomePages/gramercy%20park.pdf>

Table of Contents Kubota Tractor Workshop Manual

1. Understanding the eBook Kubota Tractor Workshop Manual
 - The Rise of Digital Reading Kubota Tractor Workshop Manual
 - Advantages of eBooks Over Traditional Books
2. Identifying Kubota Tractor Workshop Manual
 - Exploring Different Genres
 - Considering Fiction vs. Non-Fiction
 - Determining Your Reading Goals
3. Choosing the Right eBook Platform
 - Popular eBook Platforms
 - Features to Look for in an Kubota Tractor Workshop Manual
 - User-Friendly Interface
4. Exploring eBook Recommendations from Kubota Tractor Workshop Manual
 - Personalized Recommendations
 - Kubota Tractor Workshop Manual User Reviews and Ratings
 - Kubota Tractor Workshop Manual and Bestseller Lists
5. Accessing Kubota Tractor Workshop Manual Free and Paid eBooks

- Kubota Tractor Workshop Manual Public Domain eBooks
- Kubota Tractor Workshop Manual eBook Subscription Services
- Kubota Tractor Workshop Manual Budget-Friendly Options
- 6. Navigating Kubota Tractor Workshop Manual eBook Formats
 - ePub, PDF, MOBI, and More
 - Kubota Tractor Workshop Manual Compatibility with Devices
 - Kubota Tractor Workshop Manual Enhanced eBook Features
- 7. Enhancing Your Reading Experience
 - Adjustable Fonts and Text Sizes of Kubota Tractor Workshop Manual
 - Highlighting and Note-Taking Kubota Tractor Workshop Manual
 - Interactive Elements Kubota Tractor Workshop Manual
- 8. Staying Engaged with Kubota Tractor Workshop Manual
 - Joining Online Reading Communities
 - Participating in Virtual Book Clubs
 - Following Authors and Publishers Kubota Tractor Workshop Manual
- 9. Balancing eBooks and Physical Books Kubota Tractor Workshop Manual
 - Benefits of a Digital Library
 - Creating a Diverse Reading Collection Kubota Tractor Workshop Manual
- 10. Overcoming Reading Challenges
 - Dealing with Digital Eye Strain
 - Minimizing Distractions
 - Managing Screen Time
- 11. Cultivating a Reading Routine Kubota Tractor Workshop Manual
 - Setting Reading Goals Kubota Tractor Workshop Manual
 - Carving Out Dedicated Reading Time
- 12. Sourcing Reliable Information of Kubota Tractor Workshop Manual
 - Fact-Checking eBook Content of Kubota Tractor Workshop Manual
 - Distinguishing Credible Sources
- 13. Promoting Lifelong Learning
 - Utilizing eBooks for Skill Development

- Exploring Educational eBooks

14. Embracing eBook Trends

- Integration of Multimedia Elements
- Interactive and Gamified eBooks

Kubota Tractor Workshop Manual Introduction

In today's digital age, the availability of Kubota Tractor Workshop Manual books and manuals for download has revolutionized the way we access information. Gone are the days of physically flipping through pages and carrying heavy textbooks or manuals. With just a few clicks, we can now access a wealth of knowledge from the comfort of our own homes or on the go. This article will explore the advantages of Kubota Tractor Workshop Manual books and manuals for download, along with some popular platforms that offer these resources. One of the significant advantages of Kubota Tractor Workshop Manual books and manuals for download is the cost-saving aspect. Traditional books and manuals can be costly, especially if you need to purchase several of them for educational or professional purposes. By accessing Kubota Tractor Workshop Manual versions, you eliminate the need to spend money on physical copies. This not only saves you money but also reduces the environmental impact associated with book production and transportation. Furthermore, Kubota Tractor Workshop Manual books and manuals for download are incredibly convenient. With just a computer or smartphone and an internet connection, you can access a vast library of resources on any subject imaginable. Whether you're a student looking for textbooks, a professional seeking industry-specific manuals, or someone interested in self-improvement, these digital resources provide an efficient and accessible means of acquiring knowledge. Moreover, PDF books and manuals offer a range of benefits compared to other digital formats. PDF files are designed to retain their formatting regardless of the device used to open them. This ensures that the content appears exactly as intended by the author, with no loss of formatting or missing graphics. Additionally, PDF files can be easily annotated, bookmarked, and searched for specific terms, making them highly practical for studying or referencing. When it comes to accessing Kubota Tractor Workshop Manual books and manuals, several platforms offer an extensive collection of resources. One such platform is Project Gutenberg, a nonprofit organization that provides over 60,000 free eBooks. These books are primarily in the public domain, meaning they can be freely distributed and downloaded. Project Gutenberg offers a wide range of classic literature, making it an excellent resource for literature enthusiasts. Another popular platform for Kubota Tractor Workshop Manual books and manuals is Open Library. Open Library is an initiative of the Internet Archive, a non-profit organization dedicated to digitizing cultural artifacts and making them accessible to the public. Open Library hosts millions of books, including both public domain works and contemporary titles. It also allows users to borrow digital copies of certain books for a limited period, similar to a library lending system.

Additionally, many universities and educational institutions have their own digital libraries that provide free access to PDF books and manuals. These libraries often offer academic texts, research papers, and technical manuals, making them invaluable resources for students and researchers. Some notable examples include MIT OpenCourseWare, which offers free access to course materials from the Massachusetts Institute of Technology, and the Digital Public Library of America, which provides a vast collection of digitized books and historical documents. In conclusion, Kubota Tractor Workshop Manual books and manuals for download have transformed the way we access information. They provide a cost-effective and convenient means of acquiring knowledge, offering the ability to access a vast library of resources at our fingertips. With platforms like Project Gutenberg, Open Library, and various digital libraries offered by educational institutions, we have access to an ever-expanding collection of books and manuals. Whether for educational, professional, or personal purposes, these digital resources serve as valuable tools for continuous learning and self-improvement. So why not take advantage of the vast world of Kubota Tractor Workshop Manual books and manuals for download and embark on your journey of knowledge?

FAQs About Kubota Tractor Workshop Manual Books

How do I know which eBook platform is the best for me? Finding the best eBook platform depends on your reading preferences and device compatibility. Research different platforms, read user reviews, and explore their features before making a choice. Are free eBooks of good quality? Yes, many reputable platforms offer high-quality free eBooks, including classics and public domain works. However, make sure to verify the source to ensure the eBook credibility. Can I read eBooks without an eReader? Absolutely! Most eBook platforms offer web-based readers or mobile apps that allow you to read eBooks on your computer, tablet, or smartphone. How do I avoid digital eye strain while reading eBooks? To prevent digital eye strain, take regular breaks, adjust the font size and background color, and ensure proper lighting while reading eBooks. What the advantage of interactive eBooks? Interactive eBooks incorporate multimedia elements, quizzes, and activities, enhancing the reader engagement and providing a more immersive learning experience. Kubota Tractor Workshop Manual is one of the best book in our library for free trial. We provide copy of Kubota Tractor Workshop Manual in digital format, so the resources that you find are reliable. There are also many Ebooks of related with Kubota Tractor Workshop Manual. Where to download Kubota Tractor Workshop Manual online for free? Are you looking for Kubota Tractor Workshop Manual PDF? This is definitely going to save you time and cash in something you should think about.

Find Kubota Tractor Workshop Manual :

[gramercy park](#)

[grammar of the film language communication artss](#)

grace abounding in a believers life

grammar of the english language 2nd edition

[graduate record examination biology advanced test](#)

grand meaulnes cass + in french

grammar of the hausa language

grammar punctuation songs

[graham the gargoyle the fear of flying](#)

[graciela iturbide](#)

[grand opera popular arias from the great operatic masterpieces](#)

government in the palmetto state perspectives and issues

[gpu gems programming techniques tips and tricks for real-time graphics](#)

[grande pyramide rzvole son secret](#)

grand prix year 1999

Kubota Tractor Workshop Manual :

Historical Dictionary of Armenia (Volume 77) ... Historical Dictionary of Armenia (Volume 77) (Historical Dictionaries of Europe, 77). 5.0 5.0 out of 5 stars 1 Reviews. Historical Dictionary of Armenia ... Historical Dictionary of Armenia... by Adalian, Rouben Paul Historical Dictionary of Armenia (Historical Dictionaries of Asia, Oceania, and the Middle East). First Edition Edition. ISBN-13: ... Historical Dictionaries of Europe There is a lot to like about Scarecrow's various Historical Dictionaries series. The books are written by experts in the area or country that is covered. Historical Dictionary of Armenia: Volume 77 ... The second edition of the Historical Dictionary of Armenia relates the turbulent past of this persistent country through a chronology, an introductory essay ... Historical Dictionaries of Europe There is a lot to like about Scarecrow's various Historical Dictionaries series. The books are written by experts in the area or country that is covered. Historical Dictionary of Armenia - Rouben Paul Adalian May 13, 2010 — Bibliographic information. Title, Historical Dictionary of Armenia Historical Dictionaries of Europe. Author, Rouben Paul Adalian. Edition, 2 ... Historical Dictionary of Armenia (Historical ... Historical Dictionary of Armenia (Historical Dictionaries of Europe): Volume 77 by Adalian, Rouben Paul - ISBN

10: 0810860961 - ISBN 13: 9780810860964 ... Historical dictionary of Armenia / Rouben Paul Adalian 9780810874503. Series: Historical dictionaries of Europe ; no. 77; Notes: Ist ed published as no. 41 in the "Asian/Oceanian historical dictionaries" series. Historical Dictionary of Armenia by Rouben Paul Adalian ... Historical Dictionaries of Europe Ser.: Historical Dictionary of Armenia by Rouben Paul Adalian (2010, Hardcover, Revised edition) ; Returns. Accepted within 30 ... Historical Dictionary of Armenia By Rouben Paul Adalian ... Editors of every American and European, as well as Diaspora Armenian ... Historical Dictionaries of Asia, Oceania, and the Middle East Ser. Dewey ... User manual Altec Lansing IMT810 (English - 92 pages) Manual. View the manual for the Altec Lansing IMT810 here, for free. This manual comes under the category cradles & docking stations and has been rated by 2 ... ALTEC LANSING MIX iMT810 User Manual This Altec Lansing speaker system is compatible with all iPhone and iPod models. Please carefully read this User Guide for instructions on setting up and using ... Altec Lansing Docking speakers user manuals download Download Altec Lansing Docking speakers user manuals PDF. Browse online operating user's guides, owner's manual for Altec Lansing Docking speakers free. Altec Lansing IMT810 User Guide - manualzz.com View online(92 pages) or download PDF(16.73 MB) Altec Lansing IMT810 User guide • IMT810 docking speakers pdf manual download and more Altec Lansing online ... Altec Lansing user manuals download Download Altec Lansing user manuals, owners guides and PDF instructions. Altec Lansing manuals Altec Lansing IMT810. manual92 pages. Altec Lansing MZX857 ... use your Altec Lansing headset, refer to the user manual. Earphones: True ... Altec Lansing IMT800 User Manual This Altec Lansing speaker system is compatible with all iPhone and iPod models. Please carefully read this User Guide for instructions on setting up and using ... Altec Lansing MIX BoomBox - IMT810 Altec Lansing MIX BoomBox - IMT810; Clip-on Full Feature Remote; 2 x AUX Cables; Miscellaneous Adapters for iPhone & iPod; AC Adapter; User's Guide; Quick ... Altec Lansing Mini Life Jacket 2 user manual (English User manual. View the manual for the Altec Lansing Mini Life Jacket 2 here, for free. This manual comes under the category cradles & docking stations and ... Have an Altec Lansing IMT810 MIX boombox that suddenly ... Jun 26, 2016 — With no firmware source and the challenge of getting hold of a one-time-use flashing jig, then no possible course of action. Of course a ... Bikini Body Guide: Exercise & Training Plan Kayla Itsines Healthy Bikini Body Guide are for general health improvement recommendations only and are not intended to be a substitute for professional medical. Kayla Itsines' Bikini Body Guide Review Oct 11, 2018 — These circuit-style workouts promise to get you in shape in just 28 minutes a day. The guides themselves include the workouts for a 10-week ... Kayla Itsines Has Officially Renamed Her Infamous "Bikini ... May 6, 2021 — Australian trainer Kayla Itsines has renamed the Bikini Body Guides that made her so successful. Here's why she made the change, ... Kayla Itsines - Sweat Co-Founder I'm Kayla Itsines, co-founder of Sweat and co-creator of the High Impact with Kayla (formerly BBG) programs. Train with me in the Sweat app. FREE 8 week bikini body guide by Kayla Itsines Dec 24, 2017 — BBG is a 12-week workout program designed by Kayla Itnes. Each week there circuit training workouts and LISS (Low Intensity Steady State Cardio) ...

I Tried Kayla Itsines's Bikini Body Guide Workout Aug 29, 2018 — Kayla Itsines's Bikini Body Guide 12 week program includes three 28-minute HIIT workouts, three cardio sessions, and two recovery days each week ... The Bikini Body Motivation & Habits Guide by Itsines, Kayla Bikini Body Guides (BBG) co-creator Kayla Itsines, named the world's number one fitness influencer by Forbes, shows you how to harness the power of motivation ... Bikini Body Guide Review Weeks 1-4 - A Cup of Kellen Jan 31, 2015 — One of my 2015 goals is to complete the Kayla Itsines 12 week Bikini Body Guide (also known as BBG). Let's be honest, it's hard to commit to ...