

• **Food Pusher** (P/N 70456B)

Feed Tube

Pulp Ejection Opening

• **Clear Lid** (P/N 70464)

Cutter Blade

• **Stainless Steel Blade Basket** (P/N 70458)

Pulp Spout

Blade Holder

• **Stainless Steel Juice Bowl** (P/N 70459)

Juice Spout

Clamps

Motor Base Hub

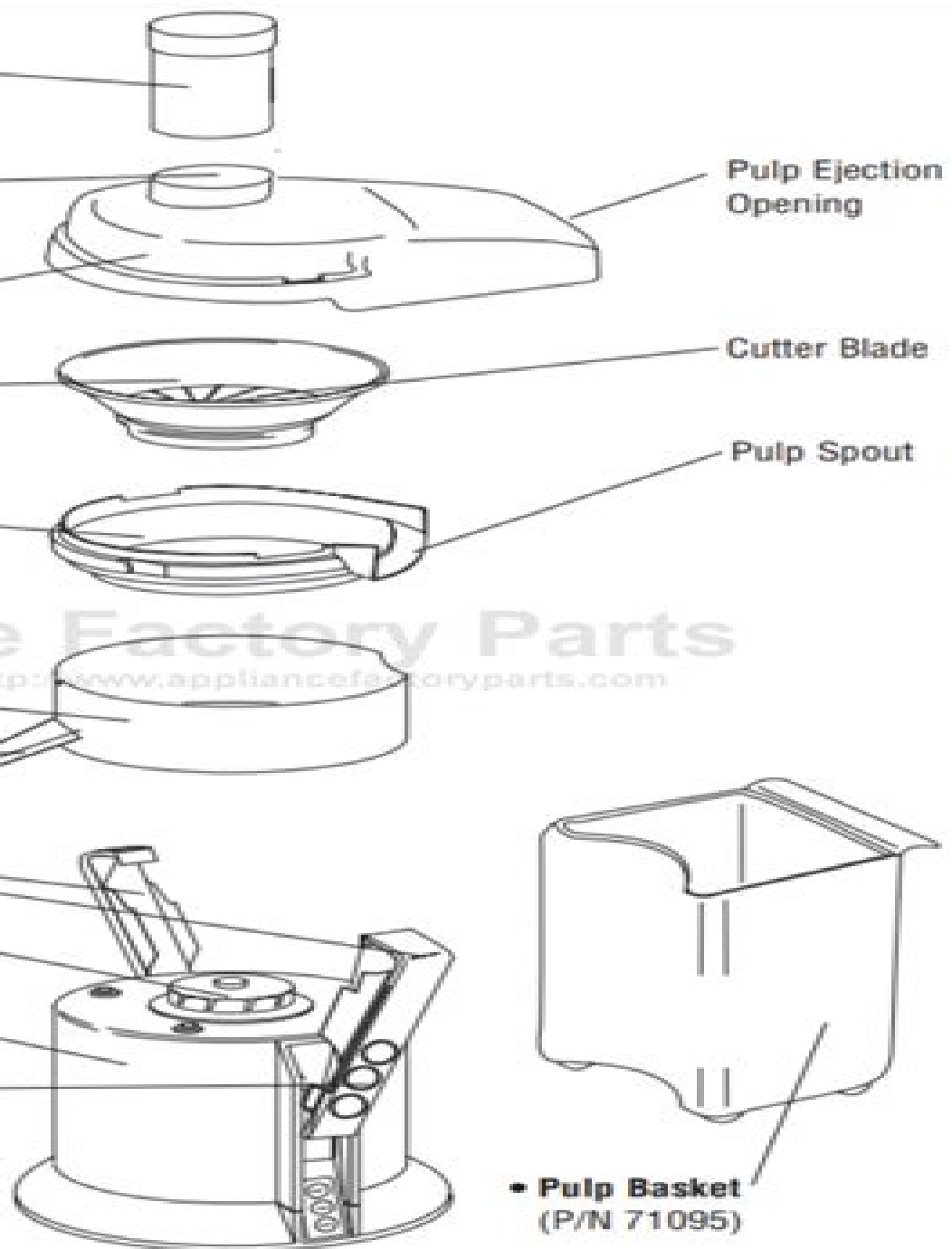
• **Stainless Steel Motor Base**

Control Panel

• **Pulp Basket** (P/N 71095)

Replacement parts available
(except Motor Base).
Call (800) 233-9054

Appliance Factory Parts
© <http://www.appliancefactoryparts.com>



Juiceman Jm418ss User Guide

RJ Alexander



Juiceman Jm418ss User Guide:

Eventually, you will enormously discover a other experience and ability by spending more cash. still when? pull off you undertake that you require to get those all needs behind having significantly cash? Why dont you try to acquire something basic in the beginning? Thats something that will lead you to understand even more more or less the globe, experience, some places, as soon as history, amusement, and a lot more?

It is your definitely own period to appear in reviewing habit. in the midst of guides you could enjoy now is **Juiceman Jm418ss User Guide** below.

https://staging.conocer.cide.edu/public/book-search/default.aspx/lizzie_takes_riding_lessons.pdf

Table of Contents Juiceman Jm418ss User Guide

1. Understanding the eBook Juiceman Jm418ss User Guide
 - The Rise of Digital Reading Juiceman Jm418ss User Guide
 - Advantages of eBooks Over Traditional Books
2. Identifying Juiceman Jm418ss User Guide
 - Exploring Different Genres
 - Considering Fiction vs. Non-Fiction
 - Determining Your Reading Goals
3. Choosing the Right eBook Platform
 - Popular eBook Platforms
 - Features to Look for in an Juiceman Jm418ss User Guide
 - User-Friendly Interface
4. Exploring eBook Recommendations from Juiceman Jm418ss User Guide
 - Personalized Recommendations
 - Juiceman Jm418ss User Guide User Reviews and Ratings
 - Juiceman Jm418ss User Guide and Bestseller Lists
5. Accessing Juiceman Jm418ss User Guide Free and Paid eBooks

- Juiceman Jm418ss User Guide Public Domain eBooks
 - Juiceman Jm418ss User Guide eBook Subscription Services
 - Juiceman Jm418ss User Guide Budget-Friendly Options
6. Navigating Juiceman Jm418ss User Guide eBook Formats
 - ePub, PDF, MOBI, and More
 - Juiceman Jm418ss User Guide Compatibility with Devices
 - Juiceman Jm418ss User Guide Enhanced eBook Features
 7. Enhancing Your Reading Experience
 - Adjustable Fonts and Text Sizes of Juiceman Jm418ss User Guide
 - Highlighting and Note-Taking Juiceman Jm418ss User Guide
 - Interactive Elements Juiceman Jm418ss User Guide
 8. Staying Engaged with Juiceman Jm418ss User Guide
 - Joining Online Reading Communities
 - Participating in Virtual Book Clubs
 - Following Authors and Publishers Juiceman Jm418ss User Guide
 9. Balancing eBooks and Physical Books Juiceman Jm418ss User Guide
 - Benefits of a Digital Library
 - Creating a Diverse Reading Collection Juiceman Jm418ss User Guide
 10. Overcoming Reading Challenges
 - Dealing with Digital Eye Strain
 - Minimizing Distractions
 - Managing Screen Time
 11. Cultivating a Reading Routine Juiceman Jm418ss User Guide
 - Setting Reading Goals Juiceman Jm418ss User Guide
 - Carving Out Dedicated Reading Time
 12. Sourcing Reliable Information of Juiceman Jm418ss User Guide
 - Fact-Checking eBook Content of Juiceman Jm418ss User Guide
 - Distinguishing Credible Sources
 13. Promoting Lifelong Learning
 - Utilizing eBooks for Skill Development

- Exploring Educational eBooks
14. Embracing eBook Trends
- Integration of Multimedia Elements
 - Interactive and Gamified eBooks

Juiceman Jm418ss User Guide Introduction

In this digital age, the convenience of accessing information at our fingertips has become a necessity. Whether its research papers, eBooks, or user manuals, PDF files have become the preferred format for sharing and reading documents. However, the cost associated with purchasing PDF files can sometimes be a barrier for many individuals and organizations. Thankfully, there are numerous websites and platforms that allow users to download free PDF files legally. In this article, we will explore some of the best platforms to download free PDFs. One of the most popular platforms to download free PDF files is Project Gutenberg. This online library offers over 60,000 free eBooks that are in the public domain. From classic literature to historical documents, Project Gutenberg provides a wide range of PDF files that can be downloaded and enjoyed on various devices. The website is user-friendly and allows users to search for specific titles or browse through different categories. Another reliable platform for downloading Juiceman Jm418ss User Guide free PDF files is Open Library. With its vast collection of over 1 million eBooks, Open Library has something for every reader. The website offers a seamless experience by providing options to borrow or download PDF files. Users simply need to create a free account to access this treasure trove of knowledge. Open Library also allows users to contribute by uploading and sharing their own PDF files, making it a collaborative platform for book enthusiasts. For those interested in academic resources, there are websites dedicated to providing free PDFs of research papers and scientific articles. One such website is Academia.edu, which allows researchers and scholars to share their work with a global audience. Users can download PDF files of research papers, theses, and dissertations covering a wide range of subjects. Academia.edu also provides a platform for discussions and networking within the academic community. When it comes to downloading Juiceman Jm418ss User Guide free PDF files of magazines, brochures, and catalogs, Issuu is a popular choice. This digital publishing platform hosts a vast collection of publications from around the world. Users can search for specific titles or explore various categories and genres. Issuu offers a seamless reading experience with its user-friendly interface and allows users to download PDF files for offline reading. Apart from dedicated platforms, search engines also play a crucial role in finding free PDF files. Google, for instance, has an advanced search feature that allows users to filter results by file type. By specifying the file type as "PDF," users can find websites that offer free PDF downloads on a specific topic. While downloading Juiceman Jm418ss User Guide free PDF files is convenient, its important to note that copyright laws must be respected. Always ensure that the PDF files you download are legally

available for free. Many authors and publishers voluntarily provide free PDF versions of their work, but its essential to be cautious and verify the authenticity of the source before downloading Juiceman Jm418ss User Guide. In conclusion, the internet offers numerous platforms and websites that allow users to download free PDF files legally. Whether its classic literature, research papers, or magazines, there is something for everyone. The platforms mentioned in this article, such as Project Gutenberg, Open Library, Academia.edu, and Issuu, provide access to a vast collection of PDF files. However, users should always be cautious and verify the legality of the source before downloading Juiceman Jm418ss User Guide any PDF files. With these platforms, the world of PDF downloads is just a click away.

FAQs About Juiceman Jm418ss User Guide Books

1. Where can I buy Juiceman Jm418ss User Guide books? Bookstores: Physical bookstores like Barnes & Noble, Waterstones, and independent local stores. Online Retailers: Amazon, Book Depository, and various online bookstores offer a wide range of books in physical and digital formats.
2. What are the different book formats available? Hardcover: Sturdy and durable, usually more expensive. Paperback: Cheaper, lighter, and more portable than hardcovers. E-books: Digital books available for e-readers like Kindle or software like Apple Books, Kindle, and Google Play Books.
3. How do I choose a Juiceman Jm418ss User Guide book to read? Genres: Consider the genre you enjoy (fiction, non-fiction, mystery, sci-fi, etc.). Recommendations: Ask friends, join book clubs, or explore online reviews and recommendations. Author: If you like a particular author, you might enjoy more of their work.
4. How do I take care of Juiceman Jm418ss User Guide books? Storage: Keep them away from direct sunlight and in a dry environment. Handling: Avoid folding pages, use bookmarks, and handle them with clean hands. Cleaning: Gently dust the covers and pages occasionally.
5. Can I borrow books without buying them? Public Libraries: Local libraries offer a wide range of books for borrowing. Book Swaps: Community book exchanges or online platforms where people exchange books.
6. How can I track my reading progress or manage my book collection? Book Tracking Apps: Goodreads, LibraryThing, and Book Catalogue are popular apps for tracking your reading progress and managing book collections. Spreadsheets: You can create your own spreadsheet to track books read, ratings, and other details.
7. What are Juiceman Jm418ss User Guide audiobooks, and where can I find them? Audiobooks: Audio recordings of books, perfect for listening while commuting or multitasking. Platforms: Audible, LibriVox, and Google Play Books offer

- a wide selection of audiobooks.
8. How do I support authors or the book industry? Buy Books: Purchase books from authors or independent bookstores. Reviews: Leave reviews on platforms like Goodreads or Amazon. Promotion: Share your favorite books on social media or recommend them to friends.
 9. Are there book clubs or reading communities I can join? Local Clubs: Check for local book clubs in libraries or community centers. Online Communities: Platforms like Goodreads have virtual book clubs and discussion groups.
 10. Can I read Juiceman Jm418ss User Guide books for free? Public Domain Books: Many classic books are available for free as they're in the public domain. Free E-books: Some websites offer free e-books legally, like Project Gutenberg or Open Library.

Find Juiceman Jm418ss User Guide :

~~[lizzie takes riding lessons](#)~~

~~[living two lives a married womans guide to loving women](#)~~

~~[lonely planet travel guide rome](#)~~

llama 9mm parabellum owners manual

~~[london restaurants guide standard place](#)~~

logitech harmony 620 user manual

~~[login ricoh usa](#)~~

~~[location of relay in 99 nissan altima](#)~~

locus of control current trends in theory and research

lm90 operating manual

~~[lonely planet switzerland travel guide](#)~~

livre thermomix top chrono l df]

~~[logic the art of defining and reasoning 2nd](#)~~

~~[lo exams grade 11 november paper](#)~~

~~[logan user guide](#)~~

Juiceman Jm418ss User Guide :

Management and Leadership for Nurse Administrators Management and Leadership for Nurse Administrators continues to

offer a comprehensive overview of key management and administrative concepts for leading modern ... Essential Leadership Skills for Nurse Managers Aug 2, 2022 — Essential Leadership Skills for Nurse Managers · 1) Time management. Healthcare settings are often fast paced. · 2) Conflict resolution. Not ... Management vs. Leadership in Nursing Sep 3, 2021 — Nurse Leaders focus on empowering others and motivating, inspiring, and influencing the nursing staff to meet the standards of the organization. Nurse Leadership and Management Contributor team includes top-level nurse leaders experienced in healthcare system administration; Underscores the importance of relationships and emotional ... Leadership vs Management in Nursing Jul 30, 2021 — Nursing managers are responsible for managing day-to-day operations in nursing departments and supervising department staff. Leaders typically ... Nursing Leadership and Management: Role Definitions ... Jun 30, 2023 — Nurse managers are responsible for overseeing hiring, staffing and performance reviews for their teams. Nursing management roles rely on ... An alternative approach to nurse manager leadership by J Henriksen · 2016 · Cited by 18 — Nurse managers are recognized as leaders who have the ability to create practice environments that influence the quality of patient care, nurse job satisfaction ... Breaking Down Nursing Management Roles | USAHS May 6, 2020 — But nurse leaders are more hands-on in terms of focusing on patient care, whereas nurse managers work behind the scenes on daily operations. Management and Leadership for Nurse Managers (Jones ... Addresses theoretical and practical perspectives on four major functions of nurse managers: planning, organizing, leading, and evaluating. Pay It Forward (2000) A young boy attempts to make the world a better place after his teacher gives him that chance. A young boy attempts to make the world a better place after ... Pay It Forward (film) Pay It Forward is a 2000 American romantic drama film directed by Mimi Leder. The film is based loosely on the novel of the same name by Catherine Ryan Hyde ... Watch Pay It Forward | Prime Video Social studies teacher Eugene Simonet gives his class an assignment: look at the world around you and fix what you don't like. One student comes up with an ... Pay it forward Pay it forward is an expression for describing the beneficiary of a good deed repaying the kindness to others rather than paying it back to the original ... Pay It Forward The story of a social studies teacher who gives an assignment to his junior high school class to think of an idea to change the world for the better, then put ... Pay It Forward by Catherine Ryan Hyde The story of how a boy who believed in the goodness of human nature set out to change the world. Pay It Forward is a wondrous and moving novel about Trevor ... Pay It Forward (2000) Official Trailer - YouTube Pay It Forward: Young Readers Edition - Ebooks - Everand Pay It Forward is a moving, uplifting novel about Trevor McKinney, a twelve-year-old boy in a small California town who accepts his teacher's challenge to earn ... Pay It Forward | Movies Just imagine. You do a favor that really helps someone and tell him or her not to pay it back, but to pay it forward to three other people who, in turn, ... Pay It Forward : Kevin Spacey, Haley ... Run time, 2 hours and 3 minutes. Number of discs, 1. Media Format, Anamorphic, Closed-captioned, Multiple Formats, Dolby, Color, Widescreen, NTSC. Life is Cellular 1 .pdf - CHAPTER 8 LESSON 1 Life Is... The Discovery of the Cell KEY QUESTION What are the main points of the cell theory? The smallest

living unit of any organism is a cell. Cells were unknown until ... 8.1 Life is Cellular Flashcards Study with Quizlet and memorize flashcards containing terms like Robert Hooke, Anton van Leeuwenhoek, Cells and more. biology 7.1 life is cellular worksheet Flashcards biology 7.1 life is cellular worksheet. 5.0 (2 reviews). Flashcards · Learn · Test ... See an expert-written answer! We have an expert-written solution to this ... 8.1 Life is cellular The cell theory states: -All living things are made up of cells. -Cells are the basic units of structure and function in living things. Cell review packet answers0001.pdf Are all eukaryotes large, multicellular organisms? No, some live solitary lives as single- celled organisms. 11. Complete the table about the two categories of ... READING Chapter 7.1 Life Is Cellular | PDF READING Chapter 7. 1 Life is Cellular worksheet. The Discovery of the Cell Seeing is believing, an old saying goes. It would be hard to find a better ... 7-1 Life Is Cellular Structures within a eukaryotic cell that perform important cellular functions are known as organelles. Cell biologists divide the eukaryotic cell into two major. 7.1 Life Is Cellular | PDF | Microscope 7.1 Life Is Cellular. Lesson Objectives State the cell theory. Describe how the different types of microscopes work. Distinguish between prokaryotes and ... Chapter 7-1 Life Is Cellular The discovery of the cell was possible due to the invention of the. 2. Who was the first person to see cells? 3. Why did he call them cells?