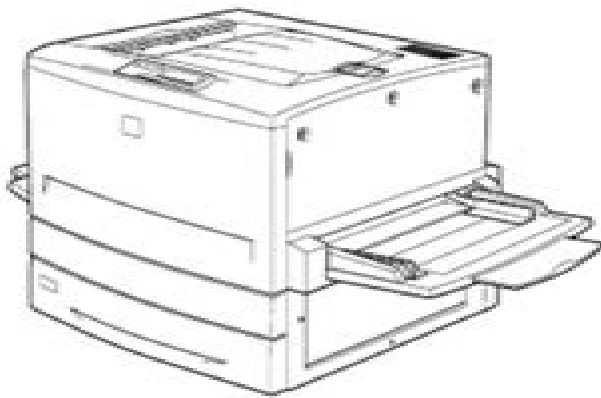


# SERVICE MANUAL



Color Laser Page Printer

**EPSON AcuLaser C8500**



**EPSON®**

# Epson Aculaser C8500 Service Manual

**RJ Alexander**



## **Epson Aculaser C8500 Service Manual:**

The Top Books of the Year Epon Aculaser C8500 Service Manual The year 2023 has witnessed a remarkable surge in literary brilliance, with numerous compelling novels enthraling the hearts of readers worldwide. Lets delve into the realm of popular books, exploring the captivating narratives that have charmed audiences this year. The Must-Read : Colleen Hoovers "It Ends with Us" This touching tale of love, loss, and resilience has captivated readers with its raw and emotional exploration of domestic abuse. Hoover masterfully weaves a story of hope and healing, reminding us that even in the darkest of times, the human spirit can succeed. Epon Aculaser C8500 Service Manual : Taylor Jenkins Reids "The Seven Husbands of Evelyn Hugo" This spellbinding historical fiction novel unravels the life of Evelyn Hugo, a Hollywood icon who defies expectations and societal norms to pursue her dreams. Reids captivating storytelling and compelling characters transport readers to a bygone era, immersing them in a world of glamour, ambition, and self-discovery. Epon Aculaser C8500 Service Manual : Delia Owens "Where the Crawdads Sing" This evocative coming-of-age story follows Kya Clark, a young woman who grows up alone in the marshes of North Carolina. Owens spins a tale of resilience, survival, and the transformative power of nature, captivating readers with its evocative prose and mesmerizing setting. These popular novels represent just a fraction of the literary treasures that have emerged in 2023. Whether you seek tales of romance, adventure, or personal growth, the world of literature offers an abundance of engaging stories waiting to be discovered. The novel begins with Richard Papen, a bright but troubled young man, arriving at Hampden College. Richard is immediately drawn to the group of students who call themselves the Classics Club. The club is led by Henry Winter, a brilliant and charismatic young man. Henry is obsessed with Greek mythology and philosophy, and he quickly draws Richard into his world. The other members of the Classics Club are equally as fascinating. Bunny Corcoran is a wealthy and spoiled young man who is always looking for a good time. Charles Tavis is a quiet and reserved young man who is deeply in love with Henry. Camilla Macaulay is a beautiful and intelligent young woman who is drawn to the power and danger of the Classics Club. The students are all deeply in love with Morrow, and they are willing to do anything to please him. Morrow is a complex and mysterious figure, and he seems to be manipulating the students for his own purposes. As the students become more involved with Morrow, they begin to commit increasingly dangerous acts. The Secret History is a brilliant and thrilling novel that will keep you speculating until the very end. The novel is a cautionary tale about the dangers of obsession and the power of evil.

[https://staging.conocer.cide.edu/public/virtual-library/Download\\_PDFS/Guide%20To%20Whetevert.pdf](https://staging.conocer.cide.edu/public/virtual-library/Download_PDFS/Guide%20To%20Whetevert.pdf)

## Table of Contents Epson Aculaser C8500 Service Manual

1. Understanding the eBook Epson Aculaser C8500 Service Manual
  - The Rise of Digital Reading Epson Aculaser C8500 Service Manual
  - Advantages of eBooks Over Traditional Books
2. Identifying Epson Aculaser C8500 Service Manual
  - Exploring Different Genres
  - Considering Fiction vs. Non-Fiction
  - Determining Your Reading Goals
3. Choosing the Right eBook Platform
  - Popular eBook Platforms
  - Features to Look for in an Epson Aculaser C8500 Service Manual
  - User-Friendly Interface
4. Exploring eBook Recommendations from Epson Aculaser C8500 Service Manual
  - Personalized Recommendations
  - Epson Aculaser C8500 Service Manual User Reviews and Ratings
  - Epson Aculaser C8500 Service Manual and Bestseller Lists
5. Accessing Epson Aculaser C8500 Service Manual Free and Paid eBooks
  - Epson Aculaser C8500 Service Manual Public Domain eBooks
  - Epson Aculaser C8500 Service Manual eBook Subscription Services
  - Epson Aculaser C8500 Service Manual Budget-Friendly Options
6. Navigating Epson Aculaser C8500 Service Manual eBook Formats
  - ePub, PDF, MOBI, and More
  - Epson Aculaser C8500 Service Manual Compatibility with Devices
  - Epson Aculaser C8500 Service Manual Enhanced eBook Features
7. Enhancing Your Reading Experience
  - Adjustable Fonts and Text Sizes of Epson Aculaser C8500 Service Manual
  - Highlighting and Note-Taking Epson Aculaser C8500 Service Manual
  - Interactive Elements Epson Aculaser C8500 Service Manual
8. Staying Engaged with Epson Aculaser C8500 Service Manual

- Joining Online Reading Communities
  - Participating in Virtual Book Clubs
  - Following Authors and Publishers Epson AcuLaser C8500 Service Manual
9. Balancing eBooks and Physical Books Epson AcuLaser C8500 Service Manual
- Benefits of a Digital Library
  - Creating a Diverse Reading Collection Epson AcuLaser C8500 Service Manual
10. Overcoming Reading Challenges
- Dealing with Digital Eye Strain
  - Minimizing Distractions
  - Managing Screen Time
11. Cultivating a Reading Routine Epson AcuLaser C8500 Service Manual
- Setting Reading Goals Epson AcuLaser C8500 Service Manual
  - Carving Out Dedicated Reading Time
12. Sourcing Reliable Information of Epson AcuLaser C8500 Service Manual
- Fact-Checking eBook Content of Epson AcuLaser C8500 Service Manual
  - Distinguishing Credible Sources
13. Promoting Lifelong Learning
- Utilizing eBooks for Skill Development
  - Exploring Educational eBooks
14. Embracing eBook Trends
- Integration of Multimedia Elements
  - Interactive and Gamified eBooks

## **Epson AcuLaser C8500 Service Manual Introduction**

In this digital age, the convenience of accessing information at our fingertips has become a necessity. Whether its research papers, eBooks, or user manuals, PDF files have become the preferred format for sharing and reading documents. However, the cost associated with purchasing PDF files can sometimes be a barrier for many individuals and organizations. Thankfully, there are numerous websites and platforms that allow users to download free PDF files legally. In this article, we will explore some of the best platforms to download free PDFs. One of the most popular platforms to download free PDF files is Project Gutenberg. This online library offers over 60,000 free eBooks that are in the public domain. From classic literature to

historical documents, Project Gutenberg provides a wide range of PDF files that can be downloaded and enjoyed on various devices. The website is user-friendly and allows users to search for specific titles or browse through different categories. Another reliable platform for downloading Epson Aculaser C8500 Service Manual free PDF files is Open Library. With its vast collection of over 1 million eBooks, Open Library has something for every reader. The website offers a seamless experience by providing options to borrow or download PDF files. Users simply need to create a free account to access this treasure trove of knowledge. Open Library also allows users to contribute by uploading and sharing their own PDF files, making it a collaborative platform for book enthusiasts. For those interested in academic resources, there are websites dedicated to providing free PDFs of research papers and scientific articles. One such website is Academia.edu, which allows researchers and scholars to share their work with a global audience. Users can download PDF files of research papers, theses, and dissertations covering a wide range of subjects. Academia.edu also provides a platform for discussions and networking within the academic community. When it comes to downloading Epson Aculaser C8500 Service Manual free PDF files of magazines, brochures, and catalogs, Issuu is a popular choice. This digital publishing platform hosts a vast collection of publications from around the world. Users can search for specific titles or explore various categories and genres. Issuu offers a seamless reading experience with its user-friendly interface and allows users to download PDF files for offline reading. Apart from dedicated platforms, search engines also play a crucial role in finding free PDF files. Google, for instance, has an advanced search feature that allows users to filter results by file type. By specifying the file type as "PDF," users can find websites that offer free PDF downloads on a specific topic. While downloading Epson Aculaser C8500 Service Manual free PDF files is convenient, it's important to note that copyright laws must be respected. Always ensure that the PDF files you download are legally available for free. Many authors and publishers voluntarily provide free PDF versions of their work, but it's essential to be cautious and verify the authenticity of the source before downloading Epson Aculaser C8500 Service Manual. In conclusion, the internet offers numerous platforms and websites that allow users to download free PDF files legally. Whether it's classic literature, research papers, or magazines, there is something for everyone. The platforms mentioned in this article, such as Project Gutenberg, Open Library, Academia.edu, and Issuu, provide access to a vast collection of PDF files. However, users should always be cautious and verify the legality of the source before downloading Epson Aculaser C8500 Service Manual any PDF files. With these platforms, the world of PDF downloads is just a click away.

### **FAQs About Epson Aculaser C8500 Service Manual Books**

How do I know which eBook platform is the best for me? Finding the best eBook platform depends on your reading preferences and device compatibility. Research different platforms, read user reviews, and explore their features before

making a choice. Are free eBooks of good quality? Yes, many reputable platforms offer high-quality free eBooks, including classics and public domain works. However, make sure to verify the source to ensure the eBook credibility. Can I read eBooks without an eReader? Absolutely! Most eBook platforms offer webbased readers or mobile apps that allow you to read eBooks on your computer, tablet, or smartphone. How do I avoid digital eye strain while reading eBooks? To prevent digital eye strain, take regular breaks, adjust the font size and background color, and ensure proper lighting while reading eBooks. What the advantage of interactive eBooks? Interactive eBooks incorporate multimedia elements, quizzes, and activities, enhancing the reader engagement and providing a more immersive learning experience. Epson Aculaser C8500 Service Manual is one of the best book in our library for free trial. We provide copy of Epson Aculaser C8500 Service Manual in digital format, so the resources that you find are reliable. There are also many Ebooks of related with Epson Aculaser C8500 Service Manual. Where to download Epson Aculaser C8500 Service Manual online for free? Are you looking for Epson Aculaser C8500 Service Manual PDF? This is definitely going to save you time and cash in something you should think about. If you trying to find then search around for online. Without a doubt there are numerous these available and many of them have the freedom. However without doubt you receive whatever you purchase. An alternate way to get ideas is always to check another Epson Aculaser C8500 Service Manual. This method for see exactly what may be included and adopt these ideas to your book. This site will almost certainly help you save time and effort, money and stress. If you are looking for free books then you really should consider finding to assist you try this. Several of Epson Aculaser C8500 Service Manual are for sale to free while some are payable. If you arent sure if the books you would like to download works with for usage along with your computer, it is possible to download free trials. The free guides make it easy for someone to free access online library for download books to your device. You can get free download on free trial for lots of books categories. Our library is the biggest of these that have literally hundreds of thousands of different products categories represented. You will also see that there are specific sites catered to different product types or categories, brands or niches related with Epson Aculaser C8500 Service Manual. So depending on what exactly you are searching, you will be able to choose e books to suit your own need. Need to access completely for Campbell Biology Seventh Edition book? Access Ebook without any digging. And by having access to our ebook online or by storing it on your computer, you have convenient answers with Epson Aculaser C8500 Service Manual To get started finding Epson Aculaser C8500 Service Manual, you are right to find our website which has a comprehensive collection of books online. Our library is the biggest of these that have literally hundreds of thousands of different products represented. You will also see that there are specific sites catered to different categories or niches related with Epson Aculaser C8500 Service Manual So depending on what exactly you are searching, you will be able to choose ebook to suit your own need. Thank you for reading Epson Aculaser C8500 Service Manual. Maybe you have knowledge that, people have search numerous times for their favorite readings like this Epson Aculaser C8500 Service Manual, but end up in



harmful downloads. Rather than reading a good book with a cup of coffee in the afternoon, instead they juggled with some harmful bugs inside their laptop. Epson Aculaser C8500 Service Manual is available in our book collection an online access to it is set as public so you can download it instantly. Our digital library spans in multiple locations, allowing you to get the most less latency time to download any of our books like this one. Merely said, Epson Aculaser C8500 Service Manual is universally compatible with any devices to read.

**Find Epson Aculaser C8500 Service Manual :**

[guide to whetevert](#)

[guide to writing a basic essay sample](#)

~~[guided activity the progressive movement answer key](#)~~

*guide to travel insurance*

*guide to the toefl test answer key*

*guided writing lesson plans*

*guidelines for writing a college essay*

**guidelines for self evaluation in preschool impres**

[guide to the solar system a precision engineered orrery volume 1](#)

**guided reading activity answer key**

**guided reqdibg and study workbood chapter19**

~~[guided reading dictators threaten world peace answer key](#)~~

**guided reading and study workbook chemistry chapter 11 answers**

*guided reading activity 3 economic choices decision making*

~~[guided practice 2b-6](#)~~

**Epson Aculaser C8500 Service Manual :**

Home | V2i Group - Making Complex Information Easy to ... Globally recognised and multi award winning 3D visualisation and software products for the mining and resources, health and eLearning sectors. V2i: Home V2i offers a full range of customised services in the field of mechanical vibrations, with both theoretical and experimental expertise. Our own experience has ... 1pc USED AM24SS3DGB Step-Servo Motor TESTED ... 1pc USED AM24SS3DGB Step-Servo Motor TESTED #V2IG CH ; Brand. Unbranded ; MPN. Does Not Apply ; Accurate description. 4.9 ; Reasonable shipping cost. 5.0 ;

Shipping ... \* F A H A D □ (@v2ig) • Instagram photos and videos 181 Followers, 216 Following, 4 Posts - See Instagram photos and videos from \* F A H A D (@v2ig) SILO V2 Silo Venting Filters SILO V2 is a cylindrically shaped Dust Collector for venting pneumatically filled silos. Its stainless steel casing contains vertically mounted cartridge filter ... Is v2ig.com valid e-mail domain - Check-Mail Domain: v2ig.com. Valid: Yes. This domain is valid and should be able to receive e-mail. Tested MX: alt1.aspmx.l.google.com (142.251.111.26). V2IG© (@v2ig\_hi) V2IG© (@v2ig\_hi) on TikTok | Hi©©©. Watch the latest video from V2IG© (@v2ig\_hi). v2IG - Michael Sanford @v2IG. Joined January 2010. 0 Following · 2 Followers · Posts · Replies ... @v2IG. · Sep 20, 2010. Check out this link on the Fogo Channel: http ... Search results for v2ig Your biggest Specialist in Europe for the finest handmade quality swords, katanas & replicas from all your favorite movies, anime, games & much more! V2I Verivolt LLC | Industrial Automation and Controls Order today, ships today. V2I - Voltage Transducer ±10V Input 4 ~ 20mA Output 24VDC DIN Rail from Verivolt LLC. Pricing and Availability on millions of ... Dogs: A New Understanding of Canine Origin, Behavior ... Tracing the evolution of today's breeds from these village dogs, the Coppingers show how characteristic shapes and behaviors—from pointing and baying to the ... Dogs: A New Understanding of Canine Origin, Behavior ... Tracing the evolution of today's breeds from these village dogs, the Coppingers show how characteristic shapes and behaviors—from pointing and baying to the ... Dogs A New Understanding Of Canine Origin, Behavior ... Drawing on insight gleaned from 35 years of raising, training, and researching the behaviors of dogs worldwide, the authors explore in detail how dog breeds ... Dogs: A Startling New Understanding of Canine Origin ... Drawing on insight gleaned from forty-five years of raising, training, and studying the behaviors of dogs worldwide, Lorna and Raymond Coppinger explore the ... Dogs: A New Understanding of Canine Origin, Behavior ... Tracing the evolution of today's breeds from these village dogs, the Coppingers show how characteristic shapes and behaviors—from pointing and baying to the ... Dogs-A Startling New Understanding of Canine Origin ... Nov 29, 2023 — Tracing the evolution of today's breeds from these village dogs, the Coppingers show how characteristic shapes and behaviors—“from pointing and ... Dogs: A New Understanding of Canine Origin, Behavior ... Tracing the evolution of today's breeds from these village dogs, the Coppingers show how characteristic shapes and behaviors—from pointing and baying to the ... DOGS: A Startling New Understanding of Canine Origins ... Raymond Coppinger, DOGS: A Startling New Understanding of Canine Origins, Beha. , \$26 (352pp) ISBN 978-0-684-85530-1 · Featured Nonfiction Reviews. A New Understanding of Canine Origin, Behavior, and Evolution They argue that dogs did not evolve directly from wolves, nor were they trained by early humans; instead they domesticated themselves to exploit a new ... Dogs: A New Understanding of Canine Origin, Behavior ... Oct 1, 2002 — They argue that dogs did not evolve directly from wolves, nor were they trained by early humans; instead they domesticated themselves to exploit ... GROB Sep 1, 1983 — All manuals for GROB G 109B can be ordered from: GROB-WERKE GMBH & CO. KG ... Flight Manual GROB G 109 B. 15. (. Table of indicated airspeeds. Engine Limbach L2400DT1 Propeller MTV-1-A/L 170-05 The G 109B is two-seat motorglider

with T-type stabilizer, fixed gear with fairings and airbrakes extending out of the upper surface of the wings. Grob-Flight-manual.pdf Mar 1, 1981 — This handbook must be carried on board of the motor glider at all times. This Airplane Flight Manual is FAA approved for U.S. registered air ... Grob G 109 Flight Manual View and Download Grob G 109 flight manual online. Motorglider. G 109 aircrafts pdf manual download. Grob G 109 Manuals We have 1 Grob G 109 manual available for free PDF download: Flight Manual. Grob G 109 Flight Manual (63 pages). Motorglider. Brand ... Grob109B FlightManual\_SEUAB.pdf - Grob Jun 24, 2018 — Flight manual for the Grob 109B. TYPE-CERTIFICATE DATA SHEET - EASA Jun 28, 2021 — Flight Manual for Engine 1 to 5. - Flight Manual GROB G 109B. Issue September 1983, LBA approved for Engine 6. - Flight Manual GROB G 109B Rotax ... Motorglider GROB G 109 B of Flight Manual of Motorglider GROB G 109". Issue March 1983. 3. Provision of: "Appendix for Avionic Equipment of Maintenance Manual of the Motorglider GROB. Technical Information - TM 817-22 flight and maintenance manual" con- sideres additional equipment as well as comments and corrections in the flight and maintenance manual of the G 109. Datum. G 109 G 109B - GROB Aircraft Nov 14, 2014 — Page 6 and 7: MAINTENANCE MANUAL GROB G 109 4a Re; Page 8 and 9: REPAIR INSTRUCTIONS GROB G 109 3 Gl; Page 10 and 11: WARTUNGSHANDBUCH GROB G ...