

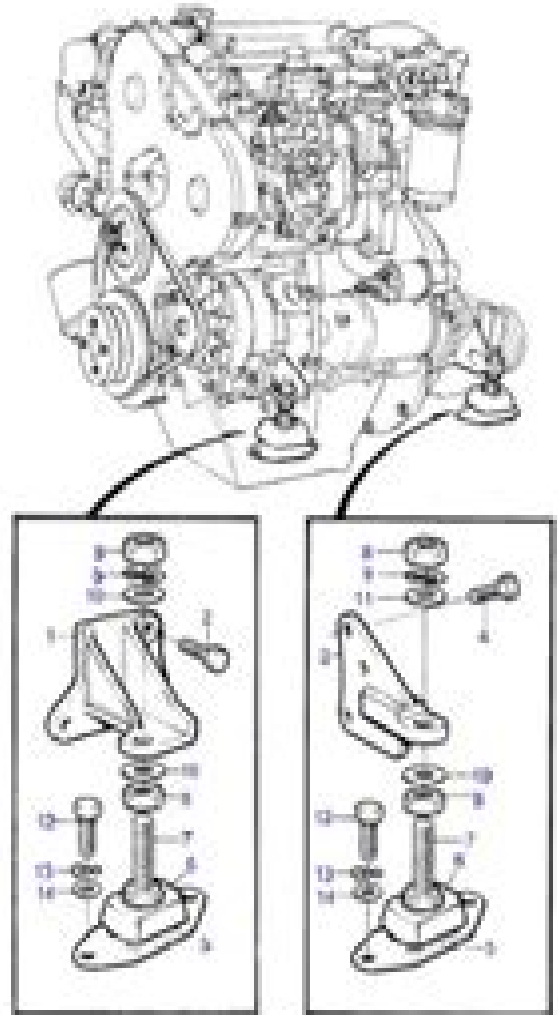
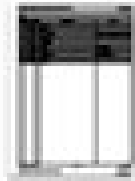
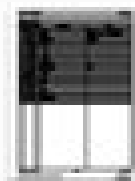


218

Engine Mounting for Reverse Gear MG 506

MD22L

Page Thumbnails



Md221 B Manual

**Consolidated Aircraft (Firm). Flight
and Service Department**

Md221 B Manual:

Technical Manual United States Department of the Army,1954 *Personal equipment: a manual for B-29 crews* United States. Army Air Forces. Office of Flying Safety,1944 **Manual for MTM-2 Analysis** Peter B. Evans,1981 **Service and Instruction Manual, Armament, B-24D** Consolidated Aircraft (Firm). Flight and Service Department,1943 **MGB Owner's Workshop Manual** John Harold Haynes,1973 **Cummins B Series Shop Manual** Cummins Engine Co,1994
Dodge Truck Shop Manual, "B-2" Series Chrysler Corporation. Dodge Division,1950

Whispering the Secrets of Language: An Mental Quest through **Md22l B Manual**

In a digitally-driven earth wherever monitors reign supreme and instant interaction drowns out the subtleties of language, the profound secrets and mental subtleties concealed within words often go unheard. Yet, located within the pages of **Md22l B Manual** a interesting literary treasure blinking with raw thoughts, lies a fantastic quest waiting to be undertaken. Written by a skilled wordsmith, that wonderful opus encourages readers on an introspective trip, gently unraveling the veiled truths and profound impact resonating within the material of each word. Within the mental depths with this emotional review, we shall embark upon a sincere exploration of the book is key themes, dissect their captivating publishing type, and fail to the effective resonance it evokes heavy within the recesses of readers hearts.

https://staging.conocer.cide.edu/About/uploaded-files/Download_PDFS/Living%20Your%20Hearts%20Desire%20Gods%20Call%20And%20Your%20Vocation.pdf

Table of Contents Md22l B Manual

1. Understanding the eBook Md22l B Manual
 - The Rise of Digital Reading Md22l B Manual
 - Advantages of eBooks Over Traditional Books
2. Identifying Md22l B Manual
 - Exploring Different Genres
 - Considering Fiction vs. Non-Fiction
 - Determining Your Reading Goals
3. Choosing the Right eBook Platform
 - Popular eBook Platforms
 - Features to Look for in an Md22l B Manual
 - User-Friendly Interface
4. Exploring eBook Recommendations from Md22l B Manual
 - Personalized Recommendations

-
- Md221 B Manual User Reviews and Ratings
 - Md221 B Manual and Bestseller Lists
5. Accessing Md221 B Manual Free and Paid eBooks
 - Md221 B Manual Public Domain eBooks
 - Md221 B Manual eBook Subscription Services
 - Md221 B Manual Budget-Friendly Options
 6. Navigating Md221 B Manual eBook Formats
 - ePub, PDF, MOBI, and More
 - Md221 B Manual Compatibility with Devices
 - Md221 B Manual Enhanced eBook Features
 7. Enhancing Your Reading Experience
 - Adjustable Fonts and Text Sizes of Md221 B Manual
 - Highlighting and Note-Taking Md221 B Manual
 - Interactive Elements Md221 B Manual
 8. Staying Engaged with Md221 B Manual
 - Joining Online Reading Communities
 - Participating in Virtual Book Clubs
 - Following Authors and Publishers Md221 B Manual
 9. Balancing eBooks and Physical Books Md221 B Manual
 - Benefits of a Digital Library
 - Creating a Diverse Reading Collection Md221 B Manual
 10. Overcoming Reading Challenges
 - Dealing with Digital Eye Strain
 - Minimizing Distractions
 - Managing Screen Time
 11. Cultivating a Reading Routine Md221 B Manual
 - Setting Reading Goals Md221 B Manual
 - Carving Out Dedicated Reading Time
 12. Sourcing Reliable Information of Md221 B Manual
 - Fact-Checking eBook Content of Md221 B Manual

-
- Distinguishing Credible Sources
13. Promoting Lifelong Learning
- Utilizing eBooks for Skill Development
 - Exploring Educational eBooks
14. Embracing eBook Trends
- Integration of Multimedia Elements
 - Interactive and Gamified eBooks

Md22l B Manual Introduction

Md22l B Manual Offers over 60,000 free eBooks, including many classics that are in the public domain. Open Library: Provides access to over 1 million free eBooks, including classic literature and contemporary works. Md22l B Manual Offers a vast collection of books, some of which are available for free as PDF downloads, particularly older books in the public domain. Md22l B Manual : This website hosts a vast collection of scientific articles, books, and textbooks. While it operates in a legal gray area due to copyright issues, its a popular resource for finding various publications. Internet Archive for Md22l B Manual : Has an extensive collection of digital content, including books, articles, videos, and more. It has a massive library of free downloadable books. Free-eBooks Md22l B Manual Offers a diverse range of free eBooks across various genres. Md22l B Manual Focuses mainly on educational books, textbooks, and business books. It offers free PDF downloads for educational purposes. Md22l B Manual Provides a large selection of free eBooks in different genres, which are available for download in various formats, including PDF. Finding specific Md22l B Manual, especially related to Md22l B Manual, might be challenging as theyre often artistic creations rather than practical blueprints. However, you can explore the following steps to search for or create your own Online Searches: Look for websites, forums, or blogs dedicated to Md22l B Manual, Sometimes enthusiasts share their designs or concepts in PDF format. Books and Magazines Some Md22l B Manual books or magazines might include. Look for these in online stores or libraries. Remember that while Md22l B Manual, sharing copyrighted material without permission is not legal. Always ensure youre either creating your own or obtaining them from legitimate sources that allow sharing and downloading. Library Check if your local library offers eBook lending services. Many libraries have digital catalogs where you can borrow Md22l B Manual eBooks for free, including popular titles. Online Retailers: Websites like Amazon, Google Books, or Apple Books often sell eBooks. Sometimes, authors or publishers offer promotions or free periods for certain books. Authors Website Occasionally, authors provide excerpts or short stories for free on their websites. While this might not be the Md22l B Manual full book , it can give you a taste of the authors writing style. Subscription Services Platforms like Kindle Unlimited or Scribd offer subscription-based access to a wide range of

Md22l B Manual eBooks, including some popular titles.

FAQs About Md22l B Manual Books

What is a Md22l B Manual PDF? A PDF (Portable Document Format) is a file format developed by Adobe that preserves the layout and formatting of a document, regardless of the software, hardware, or operating system used to view or print it.

How do I create a Md22l B Manual PDF? There are several ways to create a PDF: Use software like Adobe Acrobat, Microsoft Word, or Google Docs, which often have built-in PDF creation tools. Print to PDF: Many applications and operating systems have a "Print to PDF" option that allows you to save a document as a PDF file instead of printing it on paper. Online converters: There are various online tools that can convert different file types to PDF.

How do I edit a Md22l B Manual PDF? Editing a PDF can be done with software like Adobe Acrobat, which allows direct editing of text, images, and other elements within the PDF. Some free tools, like PDFescape or Smallpdf, also offer basic editing capabilities.

How do I convert a Md22l B Manual PDF to another file format? There are multiple ways to convert a PDF to another format: Use online converters like Smallpdf, Zamzar, or Adobe Acrobats export feature to convert PDFs to formats like Word, Excel, JPEG, etc. Software like Adobe Acrobat, Microsoft Word, or other PDF editors may have options to export or save PDFs in different formats.

How do I password-protect a Md22l B Manual PDF? Most PDF editing software allows you to add password protection. In Adobe Acrobat, for instance, you can go to "File" -> "Properties" -> "Security" to set a password to restrict access or editing capabilities.

Are there any free alternatives to Adobe Acrobat for working with PDFs? Yes, there are many free alternatives for working with PDFs, such as: LibreOffice: Offers PDF editing features. PDFsam: Allows splitting, merging, and editing PDFs. Foxit Reader: Provides basic PDF viewing and editing capabilities.

How do I compress a PDF file? You can use online tools like Smallpdf, ILovePDF, or desktop software like Adobe Acrobat to compress PDF files without significant quality loss. Compression reduces the file size, making it easier to share and download.

Can I fill out forms in a PDF file? Yes, most PDF viewers/editors like Adobe Acrobat, Preview (on Mac), or various online tools allow you to fill out forms in PDF files by selecting text fields and entering information.

Are there any restrictions when working with PDFs? Some PDFs might have restrictions set by their creator, such as password protection, editing restrictions, or print restrictions. Breaking these restrictions might require specific software or tools, which may or may not be legal depending on the circumstances and local laws.

Find Md221 B Manual :

living your hearts desire gods call and your vocation

living in the breath of the spirit reflections on prayer

living with grief

living in my family

living reiki takatas teachings

lloro por la tierra roll of thunder hear

living with wildlife in the pacific northwest

~~living the questions making sense of the mess and mystery of life~~

livng beyond limits

living with hope dying with dignity home care for the terminal patient

living supernaturally

living to be a hundred

living nightmares of abuse an emotional story of love heartache and abuse

~~living with god in loss~~

living the hope

Md221 B Manual :

jackie robinson wikipedia - Sep 04 2022

web rank second lieutenant unit 761st tank battalion jack roosevelt robinson january 31 1919 october 24 1972 was an american professional baseball player who became the first african american to play in major league baseball mlb in the modern era

jackie robinson society for american baseball research - Jun 01 2022

web jan 4 2012 rickey scheduled a seven game exhibition series between the dodgers and the royals to showcase robinson s skills and jackie dominated the contests with a 625 batting average one problem that rickey and robinson had to overcome was that the dodgers had eddie stanky playing second base

jackie robinson biography statistics number facts legacy - Oct 05 2022

web sep 13 2023 jackie robinson the first black baseball player to play in the american major leagues during the 20th century he famously broke the color line of major league baseball mlb when he appeared on the field for the brooklyn

dodgers on april 15 1947

[jackie robinson and the big game youtube](#) - Dec 07 2022

web today we are reading jackie robinson and the big game please like and subscribe and have a awesome h welcome back to gaming and read aloud with mr rankins

[jackie robinson and the big game ready to read childhood of](#) - Aug 03 2022

web jan 1 2006 young jackie robinson loses to his older brother mack in just about any game they play chase the fox running and jumping contests you name it one day jackie gets so frustrated he runs home stomps up to

how many games did jackie robinson play statmuse - Jan 28 2022

web jackie robinson played 1 382 games in his career jackie robinson played 1 382 games in his career

big game amazon com - Dec 27 2021

web aug 25 2015 big game is director jalmari helander s sophomore theatrical effort following his acclaimed 2010 christmas fantasy horror film rare exports in an interview he cites films such as cliffhanger first blood the indiana jones films and e t as inspiration i can see all of those influences while i viewed big game and more

jackie robinson and the big game archive org - Apr 11 2023

web jackie robinson and the big game item preview remove circle share or embed this item share to twitter share to facebook share to reddit share to tumblr share to pinterest share via email

[jackie robinson and the big game gutman dan archive org](#) - Jun 13 2023

web young jackie robinson loses to his older brother mack in just about any game they play chase the fox running and jumping contests you name it one day jackie gets so frustrated he runs home stomps up to his room and takes his anger out on mack s stuff

jackie robinson and the big game by gutman dan garvin - Apr 30 2022

web buy jackie robinson and the big game by gutman dan garvin elaine online on amazon ae at best prices fast and free shipping free returns cash on delivery available on eligible purchase

jackie robinson and the big game dan gutman google books - Feb 09 2023

web young jackie robinson loses to his older brother mack in just about any game they play chase the fox running and jumping contests you name it one day jackie gets so frustrated he

[1947 dodgers jackie robinson s first game society for](#) - Nov 06 2022

web mar 29 2012 1947 dodgers jackie robinson s first game editor s note this essay is an excerpt from the team that forever changed baseball and america the 1947 brooklyn dodgers edited by lyle spatz the first book in sabr s memorable teams in baseball history series with the university of nebraska press april 1 2012

jackie robinson and the big game simon schuster - May 12 2023

web young jackie robinson loses to his older brother mack in just about any game they play chase the fox running and jumping contests you name it one day jackie gets so frustrated he runs home stomps up to his room and takes his anger out on mack s stuff

for baseball and the country jackie robinson changed the game - Mar 10 2023

web jan 31 2019 jackie robinson hovered over that game and he has hovered over every game that has been played since april 15 1947 when he made his major league debut

jackie robinson in 1947 debut with the dodgers society for - Jul 02 2022

web branch rickey knew that jackie robinson was ready for the big leagues tested against dodgers pitching in spring training robinson as a royal hit 340 in 13 exhibition games between the two clubs in havana cuba

the big game american game show wikipedia - Feb 26 2022

web the big game is a game show created by jackson stanley productions which ran on nbc in prime time from june 13 to september 19 1958 it was hosted by tom kennedy marking his first national hosting gig wendell niles was the original announcer later replaced by johnny jacobs game play

jackie robinson facts quotes stats history - Jul 14 2023

web oct 29 2009 jackie robinson the first black athlete to play major league baseball joined the brooklyn dodgers on april 15 1947 a date now famous as jackie robinson day shows this day in history

jackie robinson and the big game by dan gutman fictiondb - Jan 08 2023

web young jackie robinson loses to his older brother mack in just about any game they play chase the fox running and jumping contests you name it one day jackie gets so frustrated he runs home stomps up to his room and takes his anger out on mack s stuff

jackie robinson and the big game ready to read level 2 - Aug 15 2023

web jan 1 2006 young jackie robinson loses to his older brother mack in just about any game they play chase the fox running and jumping contests you name it one day jackie gets so frustrated he runs home stomps up to

loading interface goodreads - Mar 30 2022

web discover and share books you love on goodreads

my hero academia t18 18 amazon com be - Sep 04 2022

web my hero academia t18 18 horikoshi kohei le quére david amazon com be books

tome 18 my hero academia t18 edition collector fnac - Dec 07 2022

web apr 4 2019 my hero academia tome 18 my hero academia t18 edition collector kohei horikoshi ki oon des milliers de

livres avec la livraison chez vous en 1 jour ou en magasin avec 5 de réduction my hero academia tome 18 my hero academia t18 edition collector kohei horikoshi broché achat livre fnac

my hero academia 4 sezon 18 bölüm izle diziwatch - Jul 14 2023

web my hero academia 4 sezon 18 bölüm izle my hero academia animesini türkçe altyazılı ve full hd seçeneğiyle ücretsiz olarak izleyin

amazon fr my hero academia tome 18 - Jul 02 2022

web bonjour entrez votre adresse entrez votre adresse

my hero academia izle diziwatch - May 12 2023

web my hero academia imdb 8 0 favorilere ekle İnsanlar eşit doğmazlar midoriya izuku bunu dört yaşında özel güçleri olan sınıf arkadaşları tarafından zorbalığa uğradığında anladı izuku hiçbir özel gücü olmadan doğan nadir kişilerden biriydi ama bu durum izuku yu efsanevi kahraman all might gibi biri olma hayalinden

my hero academia t18 18 clair obscur amazon com tr kitap - Feb 09 2023

web arama yapmak istediğiniz kategoriye seçin

my hero academia 6 sezon 18 bölüm izle diziwatch - Aug 15 2023

web my hero academia 6 sezon 18 bölüm izle my hero academia animesini türkçe altyazılı ve full hd seçeneğiyle ücretsiz olarak izleyin

boku no hero academia 4th season 18 bölüm - Apr 11 2023

web boku no hero academia nın 4 sezonudur 18 ağustos 2023 23 18 Çevirmen aranıyor yarım bırakılmış seri mi var İzlemek istediğiniz seri çevrilmemiş mi o zaman çevirmen olma zamanın geldi Çevirmen testini geç ve çevirmen ol 16 ağustos 2023 15 14

amazon fr manga my hero academia 18 - Feb 26 2022

web my hero academia t18 18 de kohei horikoshi et david le quéré 895 poche 6 95 livraison à 0 01 ven 15 sept ou livraison accélérée mar 12 sept autres vendeurs sur

volume 18 my hero academia wiki fandom - Jun 01 2022

web bright future ￼ ￼ ￼ ￼ ￼ ￼ akarui mirai is the eighteenth volume of the my hero academia series the volume cover features izuku and overhaul during their fight with eri on izuku s back the volume illustration shows sir nighteye and mirio togata sitting on a bench smiling izuku

pandora my hero academia vol 18 kohei horikoshi kitap - Apr 30 2022

web my hero academia vol 18 kohei horikoshi yayınevi viz media yayın tarihi 04 2019 isbn 9781974704378 İngilizce tür Çizgi roman temin süresi 30 50 iş günü Üye

my hero academia t18 18 pocket book april 4 2019 - Jan 08 2023

web apr 4 2019 amazon com my hero academia t18 18 9791032704028 horikoshi kohei le quéré david books

[my hero academia t18 en apple books](#) - Jan 28 2022

web rejoignez les super héros du manga phénomène my hero academia alors que lemillion à bout de forces et privé de son alter s écroule izuku s engage dans une lutte désespérée contre un overhaul plus puissant que jamais

my hero academia crunchyroll - Oct 05 2022

web my hero academia sub dub 2 261 reviews start watching s1 e1 remove add to watchlist izuku has dreamt of being a hero all his life a lofty goal for anyone but especially challenging for

my hero academia tome 18 my hero academia t18 fnac - Nov 06 2022

web apr 4 2019 fnac my hero academia tome 18 my hero academia t18 edition collector kohei horikoshi ki oon livraison chez vous ou en magasin et 5 sur tous les livres achetez neuf ou d occasion

my hero academia t18 18 amazon fr - Mar 10 2023

web face à eux se dresse l invincible all might le plus puissant des héros le jeune izuku midoriya en est un fan absolu il n a qu un rêve entrer à la hero academia pour suivre les traces de son idole le problème c est qu il fait partie des 20 qui n ont aucun pouvoir

my hero academia manga 18 cilt populus com tr - Mar 30 2022

web my hero academia serisinin japonca dan orijinal türkçe ye çevirilmiş manga kitabıdır manga adı my hero academia 18 cilt 18 cilt boyut 12 x 17 sayfa sayısı 192 dil türkçe yazar kohei horikoŖi animenin diđer adları my hero academia kahraman *my hero academia t18 18 shōnen my hero pocket book* - Aug 03 2022

web apr 4 2019 buy my hero academia t18 18 shōnen my hero by horikoshi kohei le quéré david isbn 9791032704028 from amazon s book store everyday low prices and free delivery on eligible orders

kahramanlık akademim vikipedi - Dec 27 2021

web my hero academia kōhei horikoshi tarafından yazılan ve çizilen japon süper kahraman mangasıdır temmuz 2014 tarihinden beri weekly shōnen jump dergisinde yayınlanmaktadır 4 nisan 2017 tarihi itibarıyla on üç tankōbon cildi bulunmaktadır 9

[my hero academia 3 sezon 18 bölüm izle diziwatch](#) - Jun 13 2023

web my hero academia 3 sezon 18 bölüm izle my hero academia animesini türkçe altyazılı ve full hd seçeneğiyle ücretsiz olarak izleyin

principles of agronomy by reddy text pdf uniport edu - Feb 27 2022

web aug 17 2023 principles of agronomy by reddy text is available in our digital library an online access to it is set as public

so you can download it instantly our books collection spans in multiple countries allowing you to get the most less latency time to download

principles of agronomy s r reddy google books - Aug 16 2023

web title principles of agronomy author s r reddy edition 4 publisher kalyani publishers 2011 isbn

principles of agronomy buy principles of agronomy by gh sankara reddy - Dec 28 2021

web principles of agronomy by gh sankara reddy t yellamanda reddy from flipkart com only genuine products 30 day replacement guarantee free shipping cash on delivery

principles of agronomy sr reddy kalyani publishers - Mar 11 2023

web principles of agronomy paperback 1 january 2018 by sr reddy author kalyani publishers contributor 4 3 108 ratings see all formats and editions

pdf principles of agronomy by reddy text - Mar 31 2022

web principles of agronomy by reddy text the agronomy and economy of turmeric and ginger jun 14 2020 turmeric has been used as a medicine a condiment and a dye since at least 600 b c while ginger has been used extensively throughout history for its medicinal purposes the agronomy and economy of

principles of agronomy by t yellamanda reddy goodreads - Feb 10 2023

web jan 1 2016 read 28 reviews from the world s largest community for readers principles of agronomy paperback jan 01 2016 reddy t yallamanda reddy g h shankara

principles of agronomy by reddy text pdf uniport edu - May 13 2023

web web7 jun 2023 present is principles of agronomy by reddy text below it is your surely own age gracefully to demonstrate evaluating practice in the end you will unequivocally detect a supplemental skillset and undertaking by expending additional money

principles of agronomy paperback 1 january 2014 amazon in - Jan 29 2022

web principles of agronomy by the author is one of the most popular books with a wide readership across agricultural universities in the country in the present edition sincere effort has been made to present principles of agronomy in such a way as to meet the needs of all those associated with agriculture information in all the chapters has been

principles of agronomy reddy s r rokomari com - Jan 09 2023

web get author reddy s r s original book principles of agronomy from rokomari com enjoy free shipping cash on delivery and extra offers on eligible purchases

buy principles of agronomy book online at low prices in india - Nov 07 2022

web 10 days from delivery replacement the science of agronomy is a specialised subject dealing with all aspects of field crop

production which accelerates the pace of food production aided by the progress made in understanding the intricate relationships between crop growth and yield and between crop and its environment of climate soil biotic

t yellamanda reddy author of principles of agronomy goodreads - Dec 08 2022

web t yellamanda reddy is the author of principles of agronomy 3 73 avg rating 314 ratings 28 reviews

principles of agronomy by reddy and reddy youtube - May 01 2022

web nov 3 2020 principles of agronomy by reddy and reddy chapter 1 hello aspirants welcome to the world of agriculture this channel is a one stop solution for all the aspirants having agronomy as their

principles of agronomy t yellamanda reddy g h sankara reddy - Oct 06 2022

web principles of agronomy t yellamanda reddy g h sankara reddy kalyani publishers quantity share now authors name t yellamanda reddy g h sankara reddy isbn 13 9789327269154 publisher kalyani publishers

amazon in buy principles of agronomy book online at low - Jul 03 2022

web amazon in buy principles of agronomy book online at best prices in india on amazon in read principles of agronomy book reviews author details and more at amazon in free delivery on qualified orders

principle of agronomy pdf google drive - Jul 15 2023

web view details request a review learn more

best books for icar jrf agronomy reference books pdf - Aug 04 2022

web may 12 2023 principles of agronomy by s r reddy principles of agronomy by reddy reddy textbook of field crops

production by rajendra prasad weed science basic and applications by t k das weed management principles and practices by o p gupta irrigation agronomy by sr reddy introductory soil science by d k das

principles of agronomy s r reddy google books - Jun 14 2023

web s r reddy kalyani publishers 2015 agronomy 694 pages agriculture or farming is the most important human economic activities it differs from other industries in that it is a biological process the primary products are organic and the resource base is the physical environment of land water and air

a textbook of agronomy wordpress com - Jun 02 2022

web of agronomy in general the courses dealt to the graduate students are principles of agronomy agricultural heritage of india agricultural meteorology principles of weed science irrigation management dry farming agronomy of field crops and biofuel crops this book has been prepared with a specific purpose of importing complete comprehensive

principles of agronomy by s r reddy goodreads - Sep 05 2022

web read 7 reviews from the world s largest community for readers principles of agronomy paperback jan 01 2016 sr reddy **pdf principles of agronomy researchgate** - Apr 12 2023

web feb 5 2021 pdf on feb 5 2021 r k naresh and others published principles of agronomy find read and cite all the research you need on researchgate