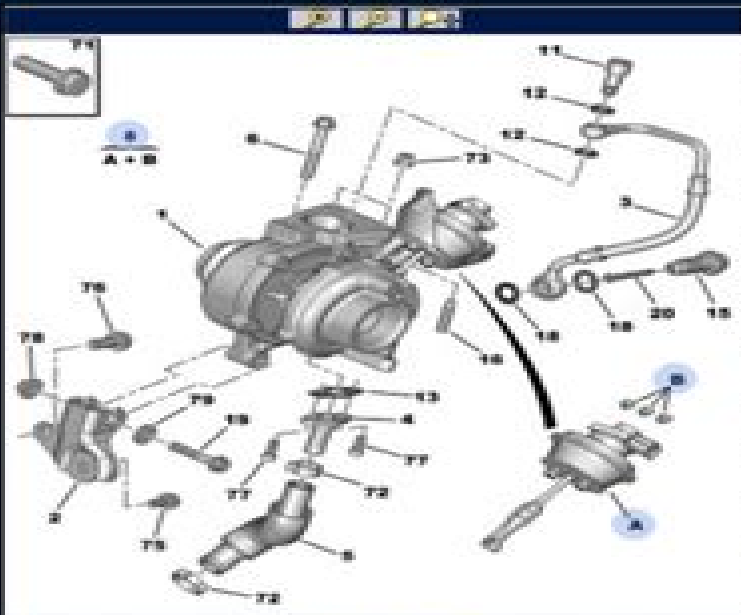
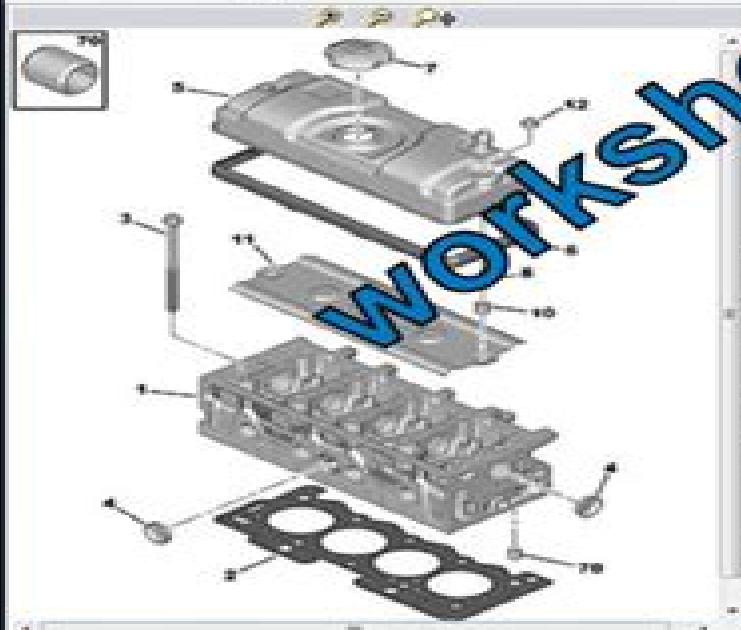


# Fiat Ducato 2002-2017 Workshop Manual



## TURBO CHARGER OIL RETURN HOSE

0379 44	01	TURBO LUBRICATION PIPE
0379 45	01	TURBO OIL RETURN PIPE
0381 26	01	OIL RETURN HOSE
0379 47	01	HEX HEAD CAPSCREW M6x20 ISOX125-03
0379 49	01	CONTROL CAPSULE TURBO KIT
0379 46	01	UNION SCREW 12X18 M10X100-27
0380 21	02	COPPER GASKET 12-18 EP 2.5
0380 33	01	OIL RETURN SEAL
1184 46	01	WASHER 12X18 LG 44.3-07.3
0379 41	01	TURBO SUPPORT STUD 12X18-25



## CYLINDER HEAD - COVER

0099 AC	04	CYLINDER HEAD - INJECTION TUSA
0099 CJ	04	WASHER LARGE SAND SCREWED - INJECTION TUSA
0099 CC	04	CYL HEAD GASKET CN
0099 CD	04	DEFEND - INJECTION TUSA
0094 63	10	CYL HEAD BOLT D48 120750-175.8 - INJECTION TUSA
0032 10	10	WELCH PLUG D48 38 - INJECTION TUSA
0245 78	04	CYL HEAD COVER - INJECTION TUSA
0245 80	01	SP-0245 80
0249 84	01	GASKET - ROCKER - INJECTION TUSA
0258 84	01	FILLER PLUG - INJECTION TUSA
0258 86	02	CYL HEAD STUD D120X100-23 - INJECTION TUSA
0264 43	02	SPACER - INJECTION TUSA
0254 36	01	DEFLECTOR - INJECTION TUSA
0099 62	02	CAP NUT M6X100

workshopmanuals.org

# Fiat Jtd Manual

**G Thomas**



**Fiat Jtd Manual:**

Getting the books **Fiat Jtd Manual** now is not type of challenging means. You could not forlorn going in the same way as books heap or library or borrowing from your connections to log on them. This is an extremely simple means to specifically get guide by on-line. This online declaration Fiat Jtd Manual can be one of the options to accompany you considering having further time.

It will not waste your time. allow me, the e-book will no question tone you further event to read. Just invest tiny time to gain access to this on-line proclamation **Fiat Jtd Manual** as with ease as review them wherever you are now.

<https://staging.conocer.cide.edu/data/Resources/index.jsp/fresh%20impact.pdf>

## **Table of Contents Fiat Jtd Manual**

1. Understanding the eBook Fiat Jtd Manual
  - The Rise of Digital Reading Fiat Jtd Manual
  - Advantages of eBooks Over Traditional Books
2. Identifying Fiat Jtd Manual
  - Exploring Different Genres
  - Considering Fiction vs. Non-Fiction
  - Determining Your Reading Goals
3. Choosing the Right eBook Platform
  - Popular eBook Platforms
  - Features to Look for in an Fiat Jtd Manual
  - User-Friendly Interface
4. Exploring eBook Recommendations from Fiat Jtd Manual
  - Personalized Recommendations
  - Fiat Jtd Manual User Reviews and Ratings
  - Fiat Jtd Manual and Bestseller Lists
5. Accessing Fiat Jtd Manual Free and Paid eBooks

- Fiat Jtd Manual Public Domain eBooks
- Fiat Jtd Manual eBook Subscription Services
- Fiat Jtd Manual Budget-Friendly Options
- 6. Navigating Fiat Jtd Manual eBook Formats
  - ePub, PDF, MOBI, and More
  - Fiat Jtd Manual Compatibility with Devices
  - Fiat Jtd Manual Enhanced eBook Features
- 7. Enhancing Your Reading Experience
  - Adjustable Fonts and Text Sizes of Fiat Jtd Manual
  - Highlighting and Note-Taking Fiat Jtd Manual
  - Interactive Elements Fiat Jtd Manual
- 8. Staying Engaged with Fiat Jtd Manual
  - Joining Online Reading Communities
  - Participating in Virtual Book Clubs
  - Following Authors and Publishers Fiat Jtd Manual
- 9. Balancing eBooks and Physical Books Fiat Jtd Manual
  - Benefits of a Digital Library
  - Creating a Diverse Reading Collection Fiat Jtd Manual
- 10. Overcoming Reading Challenges
  - Dealing with Digital Eye Strain
  - Minimizing Distractions
  - Managing Screen Time
- 11. Cultivating a Reading Routine Fiat Jtd Manual
  - Setting Reading Goals Fiat Jtd Manual
  - Carving Out Dedicated Reading Time
- 12. Sourcing Reliable Information of Fiat Jtd Manual
  - Fact-Checking eBook Content of Fiat Jtd Manual
  - Distinguishing Credible Sources
- 13. Promoting Lifelong Learning
  - Utilizing eBooks for Skill Development

- Exploring Educational eBooks
- 14. Embracing eBook Trends
  - Integration of Multimedia Elements
  - Interactive and Gamified eBooks

### **Fiat Jtd Manual Introduction**

In this digital age, the convenience of accessing information at our fingertips has become a necessity. Whether its research papers, eBooks, or user manuals, PDF files have become the preferred format for sharing and reading documents. However, the cost associated with purchasing PDF files can sometimes be a barrier for many individuals and organizations. Thankfully, there are numerous websites and platforms that allow users to download free PDF files legally. In this article, we will explore some of the best platforms to download free PDFs. One of the most popular platforms to download free PDF files is Project Gutenberg. This online library offers over 60,000 free eBooks that are in the public domain. From classic literature to historical documents, Project Gutenberg provides a wide range of PDF files that can be downloaded and enjoyed on various devices. The website is user-friendly and allows users to search for specific titles or browse through different categories. Another reliable platform for downloading Fiat Jtd Manual free PDF files is Open Library. With its vast collection of over 1 million eBooks, Open Library has something for every reader. The website offers a seamless experience by providing options to borrow or download PDF files. Users simply need to create a free account to access this treasure trove of knowledge. Open Library also allows users to contribute by uploading and sharing their own PDF files, making it a collaborative platform for book enthusiasts. For those interested in academic resources, there are websites dedicated to providing free PDFs of research papers and scientific articles. One such website is Academia.edu, which allows researchers and scholars to share their work with a global audience. Users can download PDF files of research papers, theses, and dissertations covering a wide range of subjects. Academia.edu also provides a platform for discussions and networking within the academic community. When it comes to downloading Fiat Jtd Manual free PDF files of magazines, brochures, and catalogs, Issuu is a popular choice. This digital publishing platform hosts a vast collection of publications from around the world. Users can search for specific titles or explore various categories and genres. Issuu offers a seamless reading experience with its user-friendly interface and allows users to download PDF files for offline reading. Apart from dedicated platforms, search engines also play a crucial role in finding free PDF files. Google, for instance, has an advanced search feature that allows users to filter results by file type. By specifying the file type as "PDF," users can find websites that offer free PDF downloads on a specific topic. While downloading Fiat Jtd Manual free PDF files is convenient, its important to note that copyright laws must be respected. Always ensure that the PDF files you download are legally available for free. Many authors and publishers

voluntarily provide free PDF versions of their work, but its essential to be cautious and verify the authenticity of the source before downloading Fiat Jtd Manual. In conclusion, the internet offers numerous platforms and websites that allow users to download free PDF files legally. Whether its classic literature, research papers, or magazines, there is something for everyone. The platforms mentioned in this article, such as Project Gutenberg, Open Library, Academia.edu, and Issuu, provide access to a vast collection of PDF files. However, users should always be cautious and verify the legality of the source before downloading Fiat Jtd Manual any PDF files. With these platforms, the world of PDF downloads is just a click away.

### FAQs About Fiat Jtd Manual Books

1. Where can I buy Fiat Jtd Manual books? Bookstores: Physical bookstores like Barnes & Noble, Waterstones, and independent local stores. Online Retailers: Amazon, Book Depository, and various online bookstores offer a wide range of books in physical and digital formats.
2. What are the different book formats available? Hardcover: Sturdy and durable, usually more expensive. Paperback: Cheaper, lighter, and more portable than hardcovers. E-books: Digital books available for e-readers like Kindle or software like Apple Books, Kindle, and Google Play Books.
3. How do I choose a Fiat Jtd Manual book to read? Genres: Consider the genre you enjoy (fiction, non-fiction, mystery, sci-fi, etc.). Recommendations: Ask friends, join book clubs, or explore online reviews and recommendations. Author: If you like a particular author, you might enjoy more of their work.
4. How do I take care of Fiat Jtd Manual books? Storage: Keep them away from direct sunlight and in a dry environment. Handling: Avoid folding pages, use bookmarks, and handle them with clean hands. Cleaning: Gently dust the covers and pages occasionally.
5. Can I borrow books without buying them? Public Libraries: Local libraries offer a wide range of books for borrowing. Book Swaps: Community book exchanges or online platforms where people exchange books.
6. How can I track my reading progress or manage my book collection? Book Tracking Apps: Goodreads, LibraryThing, and Book Catalogue are popular apps for tracking your reading progress and managing book collections. Spreadsheets: You can create your own spreadsheet to track books read, ratings, and other details.
7. What are Fiat Jtd Manual audiobooks, and where can I find them? Audiobooks: Audio recordings of books, perfect for listening while commuting or multitasking. Platforms: Audible, LibriVox, and Google Play Books offer a wide selection of audiobooks.

8. How do I support authors or the book industry? Buy Books: Purchase books from authors or independent bookstores. Reviews: Leave reviews on platforms like Goodreads or Amazon. Promotion: Share your favorite books on social media or recommend them to friends.
9. Are there book clubs or reading communities I can join? Local Clubs: Check for local book clubs in libraries or community centers. Online Communities: Platforms like Goodreads have virtual book clubs and discussion groups.
10. Can I read Fiat Jtd Manual books for free? Public Domain Books: Many classic books are available for free as they're in the public domain. Free E-books: Some websites offer free e-books legally, like Project Gutenberg or Open Library.

### **Find Fiat Jtd Manual :**

[fresh impact](#)

[freedom's battle volume 2 the war in the air 1939-1945 an anthology of personal experience](#)

[freedom and its conditions discipline autonomy and resistance](#)

[freud appraisals and reappraisals. contributions to freud studies volume 2](#)

**french historical studies volume 16 no 4**

[french workbook one r 523 w](#)

**french country inns chateaux karen browns france charming inns itineraries**

**fresh out of the box vol. 4 digital worship experiences for lent and easter**

[french gcsepabook keyfacts s](#)

[fretboard logic box sets videos on 1 dvd disc paperback](#)

**french resistance individuals versus the company in french corporate life**

[french parlements & the crisis of the ol](#)

[fresh air colorado quality lodging and dining for the environment-sensitive traveller fresh air america](#)

[freedom of the press an annotated bibliography](#)

[freedom's children young civil rights activists tell their own stories](#)

### **Fiat Jtd Manual :**

**comparaison entre la dissertation de philosophie et l'explication de - Sep 24 2023**

feb 19 2015 que choisir au bac la dissertation de philosophie ou l'explication de texte ce comparatif entre les deux exercices vous aidera à faire votre choix



*sixième partie le commentaire de texte et la dissertation - Jun 09 2022*

quatrième partie la conception de l'Être humain chez jung ph 2 texte 8 jung ph 2 texte 9 jung extraits cinquième partie la conception de l'Être humain chez sartre ph 2 texte 10 sartre ph 2 texte 11 sartre texte sixième partie le commentaire de texte et la dissertation ph 2 texte 12 le commentaire ph 2

*thème la méthodologie leçon 2 le commentaire de texte - Aug 23 2023*

commenter un texte c est d'abord l'expliquer c est à dire mettre en évidence son sens ou sa signification et ensuite l'évaluer le devoir du commentaire de texte philosophique comprend trois parties à savoir l'introduction le développement et la conclusion

bac philo dissertations textes tous les corrigés des épreuves - May 08 2022

jun 14 2023 filière générale le bonheur est il affaire de raison vouloir la paix est ce vouloir la justice explication de texte la pensée sauvage de claud levi strauss

annales bac philo sujet et corrigés à télécharger superbac - Jun 21 2023

vous serez évalué sur votre aptitude à fonder une réflexion formuler identifier et poser un problème par une dissertation ou un commentaire de texte lire attentivement et expliquer précisément l'étude d'un texte conduire un raisonnement en argumentant et en discutant une thèse de façon pertinente composer avec méthodologie

comment réussir le bac philo avec une bonne méthode de dissertation et - Mar 18 2023

voici des conseils de méthode qui t'aideront à réussir ta dissertation de philo ou ton explication de texte philosophique le jour du bac bien sûr travailler régulièrement sur la philo toute l'année te fera gagner des points

**commentaire de texte ou dissertation un choix cornélien - Feb 05 2022**

apr 25 2022 avec la réforme du bac la dissertation et le commentaire de texte ont fait peau neuve voyons pourquoi il vaut mieux garder vos options ouvertes jusqu'à l'ouverture des sujets sommaire bac de français tous vos sujets ont un fil commun qu'est ce qui vous attend avec le commentaire de texte pourquoi choisir la dissertation

**la dissertation de philosophie ephilo - Jan 16 2023**

1 ce qu'est une dissertation de philosophie une dissertation de philosophie est une réflexion argumentée sur un sujet donné au baccalauréat le sujet donné se présente toujours sous la forme d'une question en rapport avec les notions du

*le langage corrigés de dissertations commentaires de texte - Oct 13 2022*

voir les sujets le langage liste des sujets traités peut on parler pour ne rien dire en quoi le langage est il nécessaire à l'homme les paroles engagent elles autant que les actes serait il souhaitable que l'humanité parle une seule langue quiconque n'a pas réfléchi sur le langage n'a pas vraiment commencé à philosopher

que choisir au bac de philo la dissertation ou le commentaire de texte - Sep 12 2022

jul 25 2018 commentaire de texte ou dissertation quelle est la méthode que préfèrent les correcteurs s il y en a une jean jacques sarfati professeur de philosophie nous aide à

**bac français comment réussir la dissertation le commentaire de texte** - Mar 06 2022

jun 13 2017 la dissertation i lire le corpus de textes les textes proposés vous fourniront un certain nombre de pistes de réflexion d arguments et d exemples que vous pourrez

*bac conseils pour faire un commentaire de texte le monde fr* - Dec 15 2022

may 18 2016 que ce soit en philosophie en français ou en histoire le commentaire de texte s aèvre rarement plus facile qu une dissertation cette fiche méthodologique proposée par sciences po

289 sujets de philo corrigés plans de dissertation rédigés - Nov 14 2022

plan rédigé sujet expliqué pour chaque sujet de dissertation ou commentaire de texte un plan rédigé le plus souvent en 3 parties avec 3 sous parties est disponible en téléchargement les incontournables du bac de philosophie plans rédigés de dissertations et

la dissertation et le commentaire de texte en philosophie la - Jul 22 2023

aug 11 2020 23 99 en savoir plus sur le format numérique telecharger le livre livre editions ellipses challamel estelle la dissertation et le commentaire de texte en philosophie la méthode pas à pas corrigés guidés 9782340041325

comment rédiger une dissertation de philosophie parfaite - Jul 10 2022

may 24 2022 pour te donner une définition une dissertation est un exercice de rédaction qui consiste à questionner un sujet avec méthode notamment en philosophie et à tenter d y apporter une réponse il y a de nombreux objectifs à la composition d une dissertation apprendre à réfléchir et à communiquer cette réflexion avec clarté

**fiche méthodologie la commentaire en philo studyrama** - Apr 19 2023

méthodologie de l explication de texte en philo vous n êtes pas sûr d avoir compris les objectifs de l explication de texte en philo vous n avez pas la bonne méthode

**la méthode pour la dissertation de philosophie le parisien** - Aug 11 2022

oct 19 2021 la dissertation de philosophie est sans doute l une des épreuves les plus redoutées du bac voici nos conseils pour la réussir introduction problématique développement

la philosophie aux examens et concours explication de texte et - Apr 07 2022

la dissertation est un exercice nouveau dans l enseignement dement est la philosophie 2 d abord dans les examens et concours la réalisation peut avoir des défauts mais la démarche philosophique sera valorisée oral explication d un texte

*sujets corrigés bac 2021 épreuve de philosophie l etudiant* - Feb 17 2023

jun 22 2021 les élèves du lycée français de washington amérique du nord ont passé l épreuve du bac de philosophie le 25

mai 2021 retrouvez ci dessous les sujets 2021 de l'épreuve en série générale

**pdf les clés de la dissertation et de l'explication de texte en** - May 20 2023

cet ouvrage permet aux élèves de terminale de s'approprier de façon autonome concrète et directement utilisable les connaissances et les compétences attendues pour l'épreuve de philosophie au bac des fiches méthodologiques sur les deux épreuves

*world of pop funk* 9781792313660 amazon com books - Aug 20 2023

web oct 1 2019 volume 8 provides an artistic look at a wide variety of figures released in 2018 2019 showcasing iconic characters from film television comics and games so come explore the best collectibles in pop culture from pikachu batman and spider man to michael jordan dumbo and more

world of pop volume 8 funk amazon sg books - Jul 07 2022

web hello sign in account lists returns orders cart

*world of pop volume 8 hardcover book vault* - Dec 12 2022

web through beautiful photography world of pop volume 8 provides an artistic look at a wide variety of figures released in 2018 2019 showcasing iconic characters from film television comics and games so come explore the best collectibles in pop culture from pikachu batman and spider man to michael jordan dumbo and more

**world of pop volume 8 funk amazon com tr** - Sep 21 2023

web volume 8 funk amazon com tr Çerez tercihlerinizi seçin alışveriş deneyiminizi geliştirmek hizmetlerimizi sunmak müşterilerin hizmetlerimizi nasıl kullandığını anlayarak iyileştirmeler yapabilmek ve tanıtımları gösterebilmek için çerezler ve

*world of pop funk google books* - May 17 2023

web the eighth volume in the world of pop series offers collectors one of the largest portfolios featuring their favorite pop culture characters welcome the latest edition in funk's world

**world of pop volume 8 by funk hardcover barnes noble** - Jul 19 2023

web oct 1 2019 the eighth volume in the world of pop series offers collectors one of the largest portfolios featuring their favorite pop culture characters welcome the latest edition in funk's world of pop series a book that's sure to

buy world of pop volume 8 book by funk - Feb 02 2022

web oct 1 2019 world of pop volume 8 by funk select format hardcover 19 18 selected format select conditions good 19 18 see all editions book overview the eighth volume in the world of pop series offers collectors one of the largest portfolios featuring their favorite pop culture characters

*world of pop volume 8 amazon co uk* - Jun 18 2023

web volume 8 provides an artistic look at a wide variety of figures released in 2018 to 2019 showcasing iconic characters from film television comics and games explore the best collectibles in pop culture from pikachu batman and spider man to michael jordan dumbo and more

**world of pop volume 8 world of pop by funko booktopia** - Mar 03 2022

web nov 7 2019 the eighth volume in the world of pop series offers collectors one of the largest portfolios featuring their favorite pop culture characters welcome the latest edition in funko s world of pop series a book that s sure to

**world of pop volume 8 by funko booksamillion com** - Aug 08 2022

web world of pop volume 8 the eighth volume in the world of pop series offers collectors one of the largest portfolios featuring their favorite pop culture characters welcome the latest edition in funko s world of pop series a book that s sure to appeal to both seasoned and new collectors

world of pop volume 8 hardcover volumes bookcafe - Sep 09 2022

web the eighth volume in the world of pop series offers collectors one of the largest portfolios featuring their favorite pop culture characters welcome the latest edition in funko s world of pop series a book that s sure to appeal to both seasoned and new collectors

world of pop volume 8 hardcover midtown reader - Feb 14 2023

web the eighth volume in the world of pop series offers collectors one of the largest portfolios featuring their favorite pop culture characters welcome the latest edition in funko s world of pop series a book that s sure to appeal to both seasoned and new collectors

**world of pop funko amazon de bücher** - Jan 13 2023

web the eighth volume in the world of pop series offers collectors one of the largest portfolios featuring their favorite pop culture characters 160 160 welcome the latest edition in funko s world of pop series a book that s sure to appeal to both seasoned and new collectors through beautiful photography world of pop volume 8 provides an artistic

world of pop volume 8 hardcover university press books - Mar 15 2023

web the eighth volume in the world of pop series offers collectors one of the largest portfolios featuring their favorite pop culture characters welcome the latest edition in funko s world of pop series a book that s sure to appeal to both seasoned and new collectors

**world of pop volume 8 hardcover 1 october 2019** □□□ □□□□□□ - May 05 2022

web buy world of pop volume 8 online on amazon eg at best prices fast and free shipping free returns cash on delivery available on eligible purchase

*world of pop volume 8 funko amazon com au books* - Apr 04 2022

web select the department you want to search in

**world of pop volume 8 rarewaves com** - Oct 10 2022

web this eighth volume in the world of pop series offers collectors one of the largest portfolios featuring their favourite pop culture characters welcome to the latest edition in funkos world of pop series a book that s sure

**world of pop volume 8 by funkco alibris** - Nov 11 2022

web the eighth volume in the world of pop series offers collectors one of the largest portfolios featuring their favorite pop culture characters welcome the latest edition in funkos world of pop series a book that s sure to appeal to both seasoned and new collectors through beautiful photography world of pop

world of pop volume 8 funkco 9781792313660 books - Apr 16 2023

web volume 8 provides an artistic look at a wide variety of figures released in 2018 2019 showcasing iconic characters from film television comics and games so come explore the best collectibles in pop culture from pikachu batman and spider man to michael jordan dumbo and more

world of pop volume 8 by funkco hardcover 2019 ebay - Jun 06 2022

web find many great new used options and get the best deals for world of pop volume 8 by funkco hardcover 2019 at the best online prices at ebay free delivery for many products

*musiciens de jazz new yorkais les hard boppers broché* - Aug 07 2023

web musiciens de jazz new yorkais les hard boppers guillon roland amazon fr livres

**musiciens de jazz new yorkais les hard boppers** - Sep 27 2022

web document musiciens de jazz new yorkais les hard boppers utiliser les flèches haut et bas du clavier pour vous déplacer dans la liste de suggestions rechercher tapez les

**pdf musiciens de jazz new yorkais by roland guillon perlego** - Oct 29 2022

web ce livre constitue le troisième volet d une approche du hard bop il précise une présentation générale de ce mouvement new york a produit non seulement de

musiciens de jazz new yorkais les hard bopper - May 24 2022

web lieu de vie de découvertes littéraires et artistiques autour d un espace café musiciens de jazz new yorkais les hard bopper librairie gutenber

amazon co uk customer reviews musiciens de jazz new - May 04 2023

web find helpful customer reviews and review ratings for musiciens de jazz new yorkais les hard bopper at amazon com read honest and unbiased product reviews from our users

**musiciens de jazz new yorkais les hard bopper softcover** - Feb 01 2023

web musiciens de jazz new yorkais les hard bopper by guillon roland at abebooks co uk isbn 10 2747539709 isbn 13 9782747539708 l harmattan 2003 softcover

musiciens de jazz new yorkais les hard boppers paperback - Jul 26 2022

web musiciens de jazz new yorkais les hard boppers on amazon com au free shipping on eligible orders musiciens de jazz new yorkais les hard boppers

musiciens de jazz new yorkais les hard bopper paperback - Jul 06 2023

web feb 1 2003 musiciens de jazz new yorkais les hard bopper guillon roland on amazon com free shipping on qualifying offers musiciens de jazz new yorkais

**musiciens de jazz new yorkais les hard boppers download** - Mar 22 2022

web 2 musiciens de jazz new yorkais les hard boppers 2022 12 11 business women agent and producer helen keane manager linda goldstein and festival and concert producer

musiciens de jazz new yorkais les hard bopper - Nov 29 2022

web ce livre constitue le troisième volet d une approche du hard bop il précise une présentation générale de ce mouvement new york a produit non seulement de

**9782747539708 musiciens de jazz new yorkais les hard** - Apr 03 2023

web abebooks com musiciens de jazz new yorkais les hard bopper 9782747539708 by guillon roland and a great selection of similar new used and collectible books

**musiciens de jazz new yorkais les hard boppers guillon** - Oct 09 2023

web may 10 2003 la librairie gallimard vous renseigne sur musiciens de jazz new yorkais les hard boppers de l auteur guillon roland 9782747539708 vous êtes informés

*top jazz harp artists last fm* - Dec 19 2021

web dorothy ashby 247 704 listeners dorothy ashby dorothy jeanne thompson august 6 1932 april 13 1986 was an american jazz harpist and composer hailed as one of the

*les musiciens de jazz edmu fr* - Feb 18 2022

web the first man in jazz comettiste et chef d orchestre américain buddy bolden fut considéré comme le premier homme du jazz contemporain de scott joplin et des ses

*musiciens de jazz new yorkais les hard boppers google books* - Sep 08 2023

web ce livre constitue le troisième volet d une approche du hard bop il précise une présentation générale de ce mouvement le hard bop un style de jazz publié en

**musiciens de jazz new yorkais les hard boppers paperback** - Aug 27 2022

web musiciens de jazz new yorkais les hard boppers guillon roland amazon de books

**qui sont les artistes de jazz les plus connus mise à jour 2022** - Apr 22 2022

web mar 2 2023 charlie christian à aider à la naissance du bebop et à mis la guitare électrique en avant dans les groupes de jazz qui sont les artistes bassistes de jazz

musiciens de jazz new yorkais les hard bopper paperback - Jun 24 2022

web amazon in buy musiciens de jazz new yorkais les hard bopper book online at best prices in india on amazon in read musiciens de jazz new yorkais les hard bopper

**musiciens de jazz new yorkais les hard bopper paperback** - Jun 05 2023

web buy musiciens de jazz new yorkais les hard bopper by guillon roland isbn 9782747539708 from amazon s book store everyday low prices and free delivery on

*musiciens de jazz new yorkais les hard boppers 2023* - Dec 31 2022

web 4 musiciens de jazz new yorkais les hard boppers 2023 02 04 charlie parker publié en france témoignages de musiciens sonny rollins ornette coleman joe lovano

*musiciens de jazz new yorkais 2003 edition open library* - Mar 02 2023

web musiciens de jazz new yorkais les hard boppers by roland guillon 0 ratings 0 want to read 0 currently reading 0 have read

**musiciens de jazz new yorkais les hard boppers by roland** - Jan 20 2022

web yorkais les hard boppers by roland guillon but end up in harmful downloads download the musiciens de jazz new yorkais les hard boppers by roland guillon join that we